

US00D517507S

(12) **United States Design Patent** (10) **Patent No.:** **US D517,507 S**
Johnson et al. (45) **Date of Patent:** **** Mar. 21, 2006**

(54) **SANITARY ENCLOSURE**

(75) Inventors: **Steven J. Johnson**, Mahtomedi, MN (US); **Ronald J. Rotondo**, Coon Rapids, MN (US); **Shawn Ramon McElmury**, Oak Grove, MN (US); **Richard L. Waltz**, Isanti, MN (US)

(73) Assignee: **Hoffman Enclosures, Inc.**, Anoka, MN (US)

(**) Term: **14 Years**

(21) Appl. No.: **29/194,608**

(22) Filed: **Nov. 25, 2003**

Related U.S. Application Data

(63) Continuation of application No. 29/183,590, filed on Jun. 11, 2003, now abandoned, which is a continuation of application No. 29/166,046, filed on Aug. 21, 2002, now abandoned.

(51) **LOC (8) Cl.** **13-03**

(52) **U.S. Cl.** **D13/184**

(58) **Field of Classification Search** D13/184;
 174/50, 52.1; 220/4.02; 361/600, 601, 688,
 361/704, 679, 724, 764, 796, 730, 736, 748
 See application file for complete search history.

(56) **References Cited**

U.S. PATENT DOCUMENTS

3,681,663 A	8/1972	Albers	317/100
3,912,348 A	10/1975	Seymour	312/100
D284,959 S	8/1986	Berg	D13/40
5,272,279 A	12/1993	Filshie	174/50
5,515,235 A	5/1996	Stoller	361/605
5,769,006 A	6/1998	Allaer	109/73

D405,766 S	2/1999	Hartel et al.	D13/184
D408,015 S	4/1999	Faucher	D13/152
D425,493 S	5/2000	Cutright et al.	D13/184
6,179,144 B1	1/2001	Abroy et al.	220/3.8

OTHER PUBLICATIONS

“EMPCO Electrical Enclosures”, <http://www.empco.com/au/main.htm>, Easy Metal Products (NSW) Pty Ltd, Revesby, NSW, AU; printed Jun. 6, 2005,(Oct. 2, 2003),2 pages.

“ITS Enclosures—Products”, [http://www.itsenclosures.com/productsAccessories.asp?level=1&child=0&product-groupi . . .](http://www.itsenclosures.com/productsAccessories.asp?level=1&child=0&product-groupi...), Copyright 2003 ITS Enclosures, Mt. Pleasant, PA, USA (Oct. 2, 2003); 2 pages.

“SCE Saginaw Control & Engineering—Custom Enclosures”, <http://www.saginawcontrol.com/custom.php>, Copyright 2002–2003, Saginaw Control & Engineering (Oct. 2, 2003); 1 page.

Primary Examiner—Prabhakar Deshmukh

Assistant Examiner—Selina Sikder

(74) *Attorney, Agent, or Firm*—Schwegman, Lundberg, Woessner & Kluth, P.A.

(57) **CLAIM**

The ornamental design for the sanitary enclosure, as shown.

DESCRIPTION

FIG. 1 is a front, left perspective view of a sanitary enclosure according to the present invention;

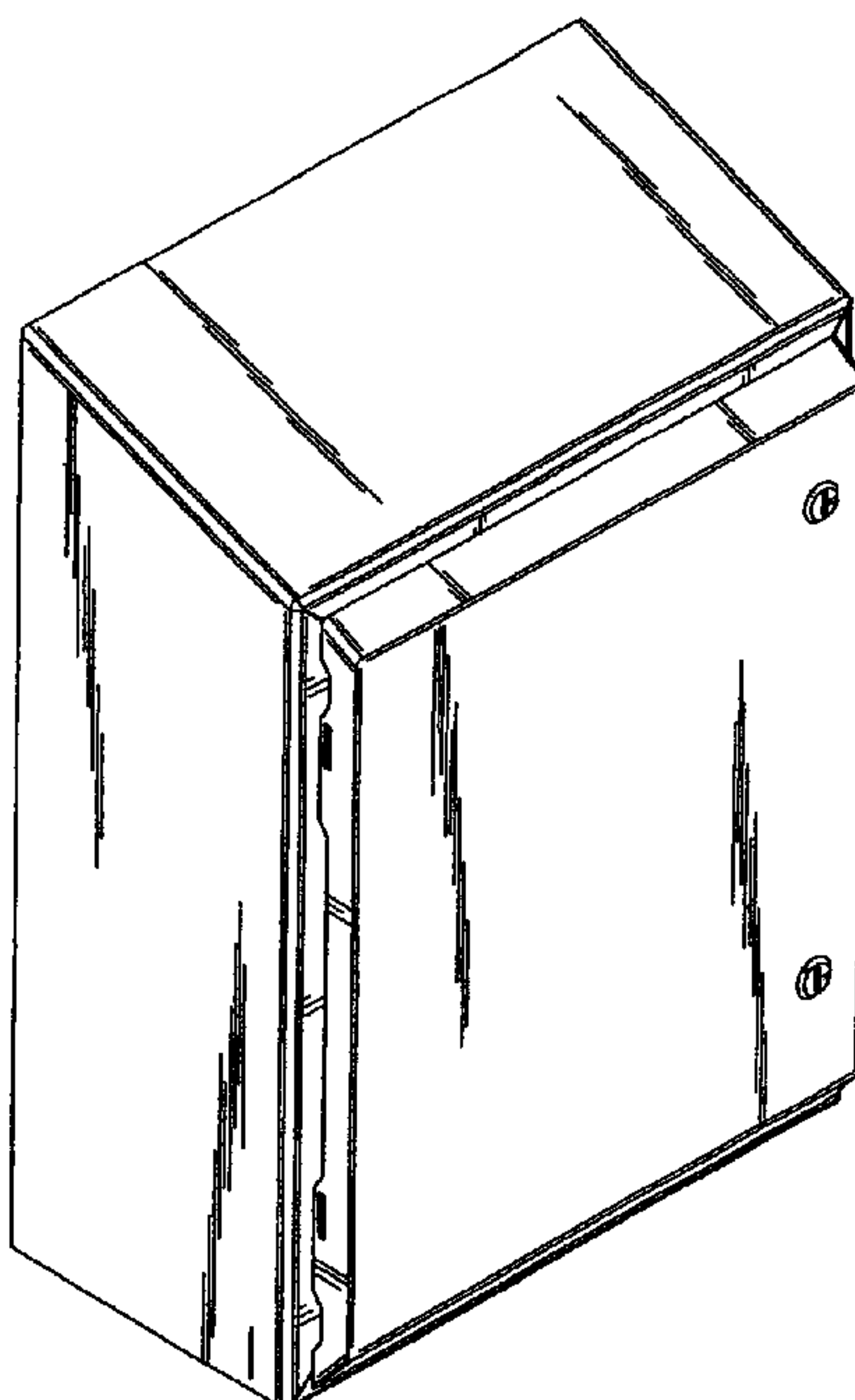
FIG. 2 is a front, right perspective view of the sanitary enclosure of FIG. 1 with the front door open;

FIG. 3 is a front view of the sanitary enclosure of FIG. 1;

FIG. 4 is a front view of the sanitary enclosure of FIG. 1 with the front door open; and,

FIG. 5 is a side view of the sanitary enclosure of FIG. 1.

1 Claim, 5 Drawing Sheets



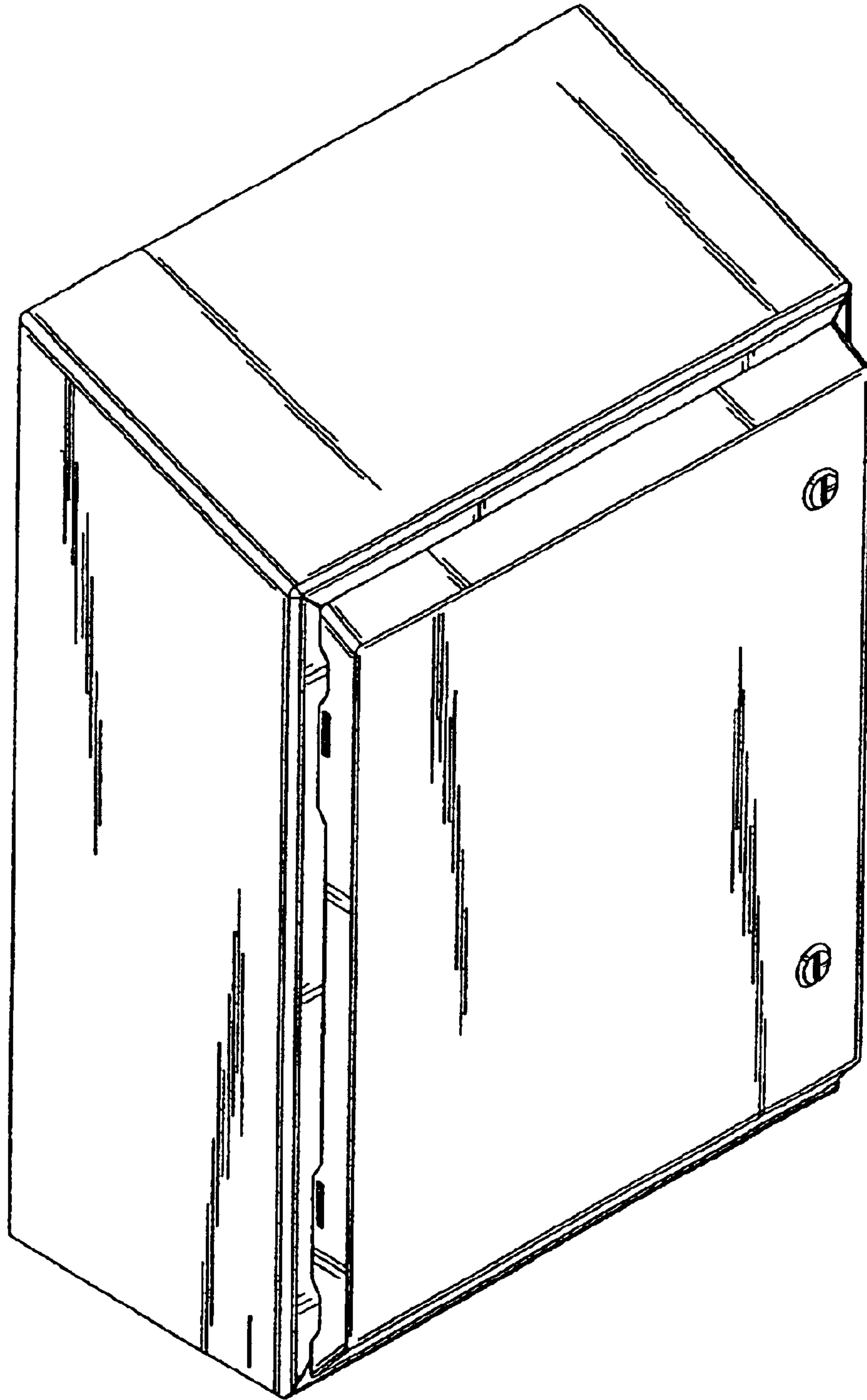


FIG. 1

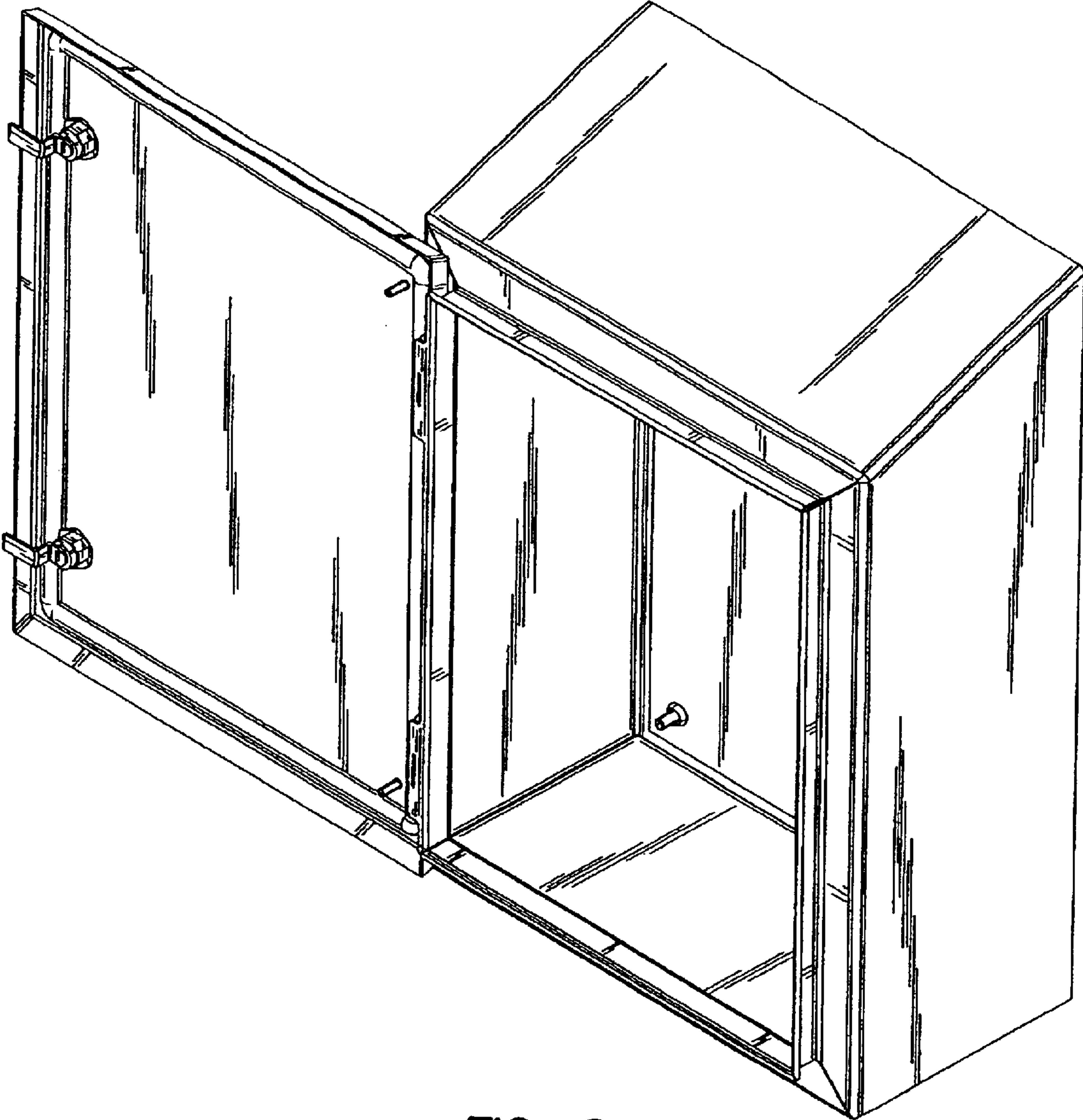


FIG. 2

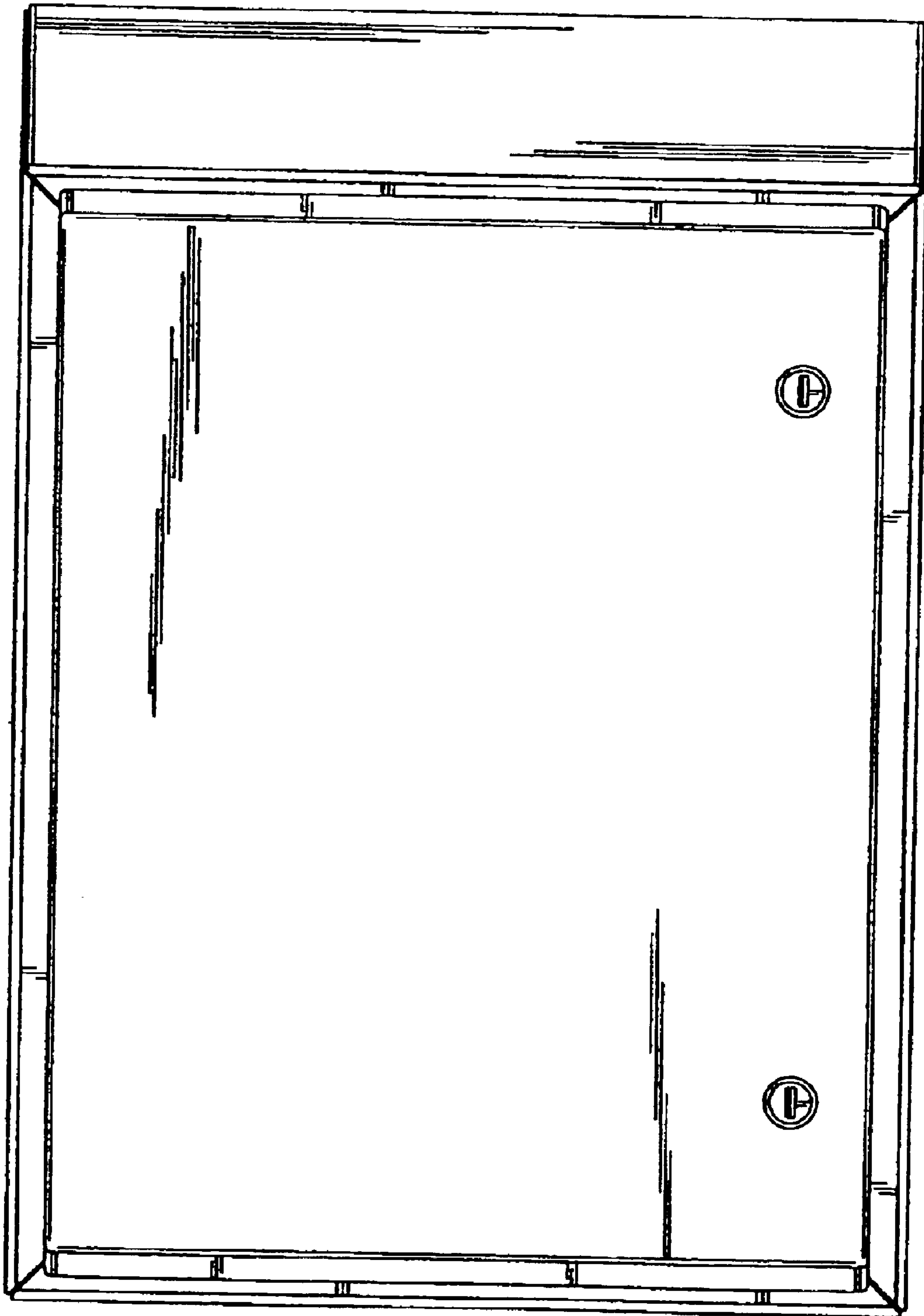


FIG. 3

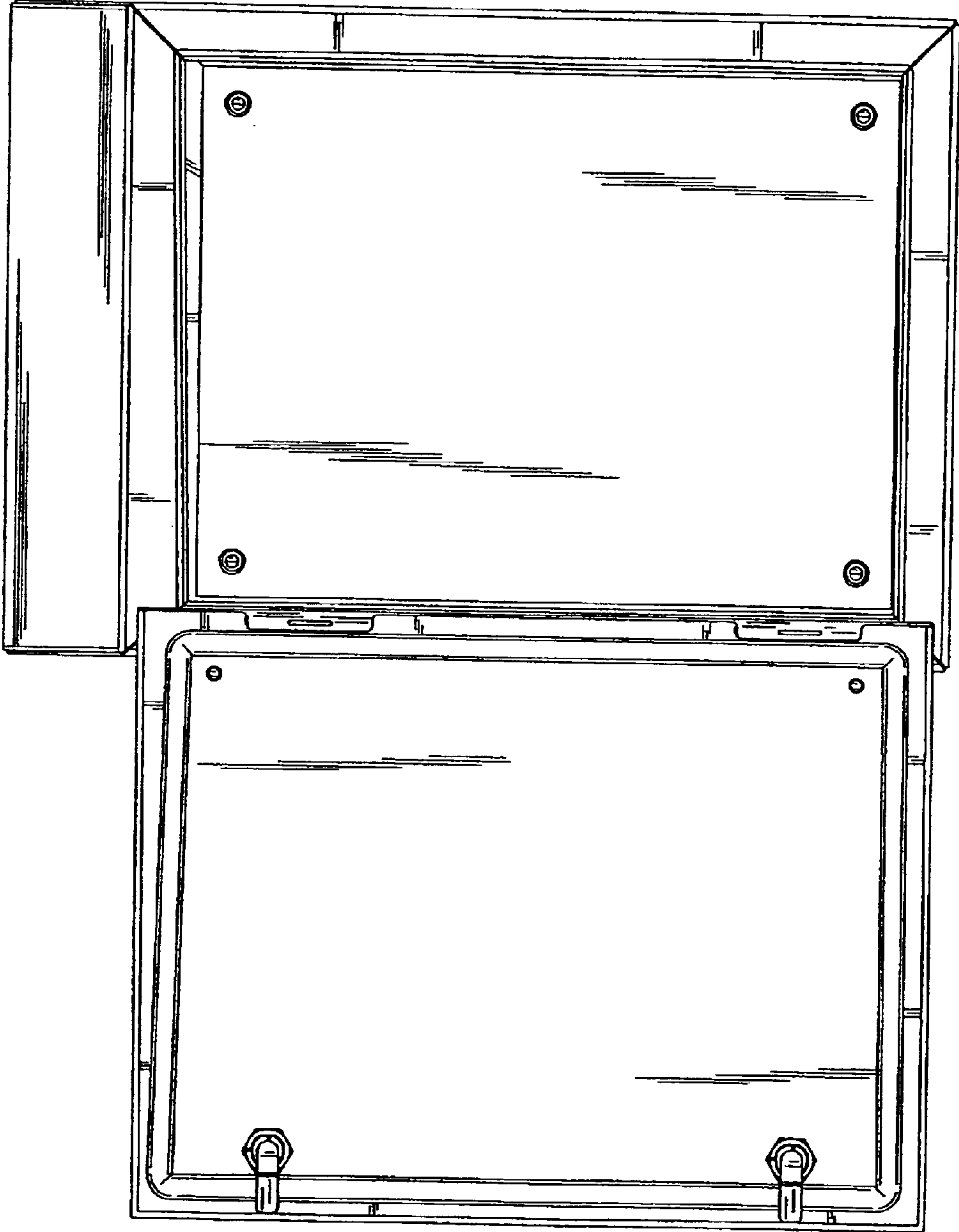


FIG. 4

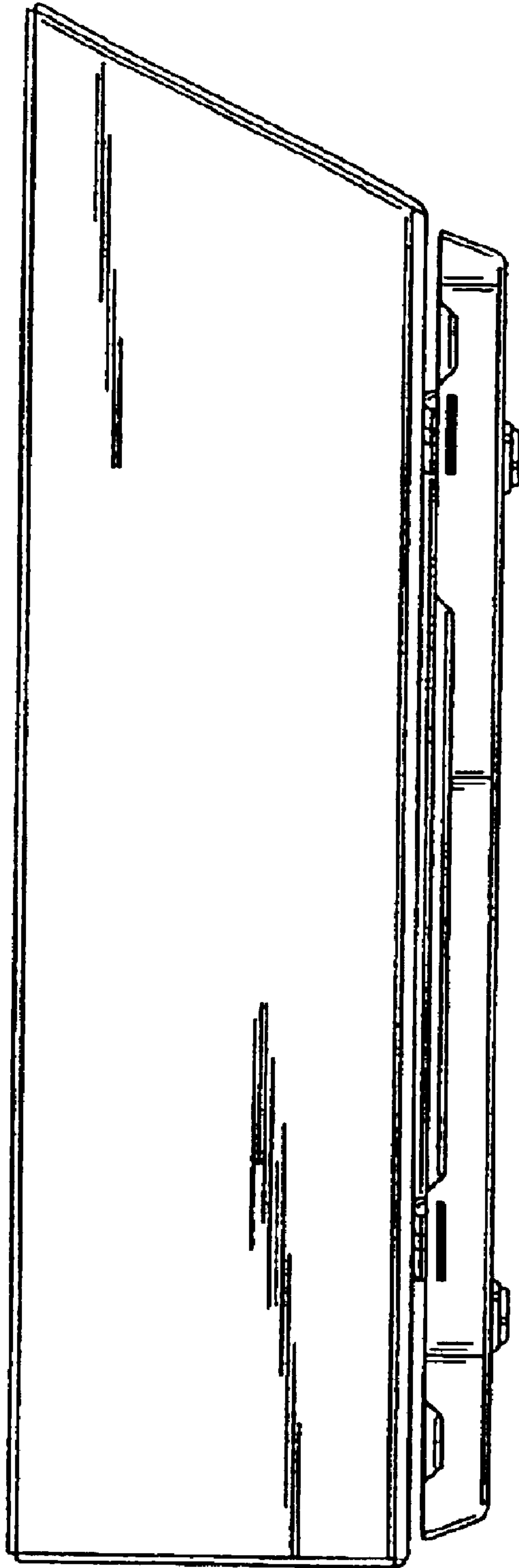


FIG. 5