



US00D517504S

(12) **United States Design Patent**
Kitajima et al.

(10) **Patent No.:** **US D517,504 S**
(45) **Date of Patent:** **** Mar. 21, 2006**

(54) **FUSE HOLDER**

(75) Inventors: **Yoshikazu Kitajima**, Kawagoe (JP);
Iwao Nishimura, Goshogawara (JP);
Koji Ito, Goshogawara (JP)

(73) Assignee: **Kyoshin Kogyo Co., Ltd.**, Tokyo (JP)

(**) Term: **14 Years**

(21) Appl. No.: **29/190,892**

(22) Filed: **Sep. 30, 2003**

(30) **Foreign Application Priority Data**

Jul. 29, 2003 (JP) 2003-021882

(51) **LOC (8) Cl.** **13-03**

(52) **U.S. Cl.** **D13/178**

(58) **Field of Classification Search** D13/160,
D13/161, 178; 337/181, 186, 196, 199, 205,
337/213; 361/600, 626, 642, 646, 833, 834,
361/809, 835; 439/76.12, 621, 622, 698,
439/830, 831, 832

See application file for complete search history.

(56) **References Cited**

U.S. PATENT DOCUMENTS

1,194,882 A * 8/1916 Sachs 439/832
3,287,690 A * 11/1966 Book 439/830
3,744,003 A * 7/1973 Dipace 439/638

D241,314 S * 9/1976 Hug D8/395
4,097,114 A * 6/1978 Motten, Jr. 439/831
4,178,063 A * 12/1979 Reynolds 439/831
4,547,036 A * 10/1985 Keglwitsch et al. 439/680
D421,248 S * 2/2000 Baccei D13/178

* cited by examiner

Primary Examiner—Stella Reid

Assistant Examiner—Selina Sikder

(74) *Attorney, Agent, or Firm*—Oblon, Spivak, McClelland,
Maier & Neustadt, P.C.

(57) **CLAIM**

The ornamental design for a fuse holder, as shown and described.

DESCRIPTION

FIG. 1 is a front view of the fuse holder;
FIG. 2 is a rear view of FIG. 1;
FIG. 3 is a sectional view of FIG. 1 taken along line 3—3
in FIG. 1
FIG. 4 is a top plan view of FIG. 1;
FIG. 5 is a bottom plan view of FIG. 1;
FIG. 6 is a right side view of FIG. 1;
FIG. 7 is a left side view of FIG. 1; and,
FIG. 8 is a top perspective view of FIG. 1 showing the fuse
holder in use.

The broken line showing of the environment is for illustrative purpose only and forms no part of the claimed design.

1 Claim, 4 Drawing Sheets

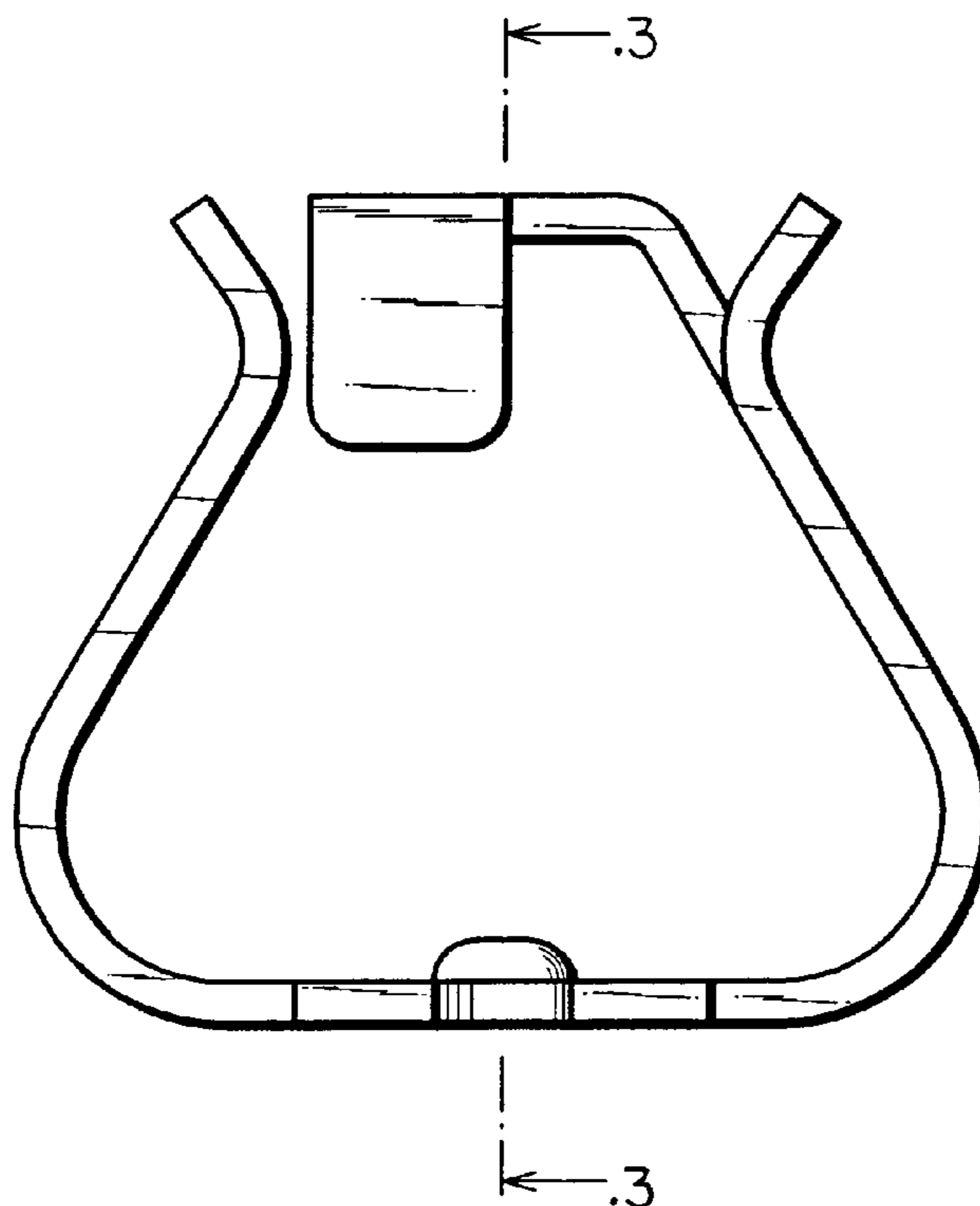


FIG. 1

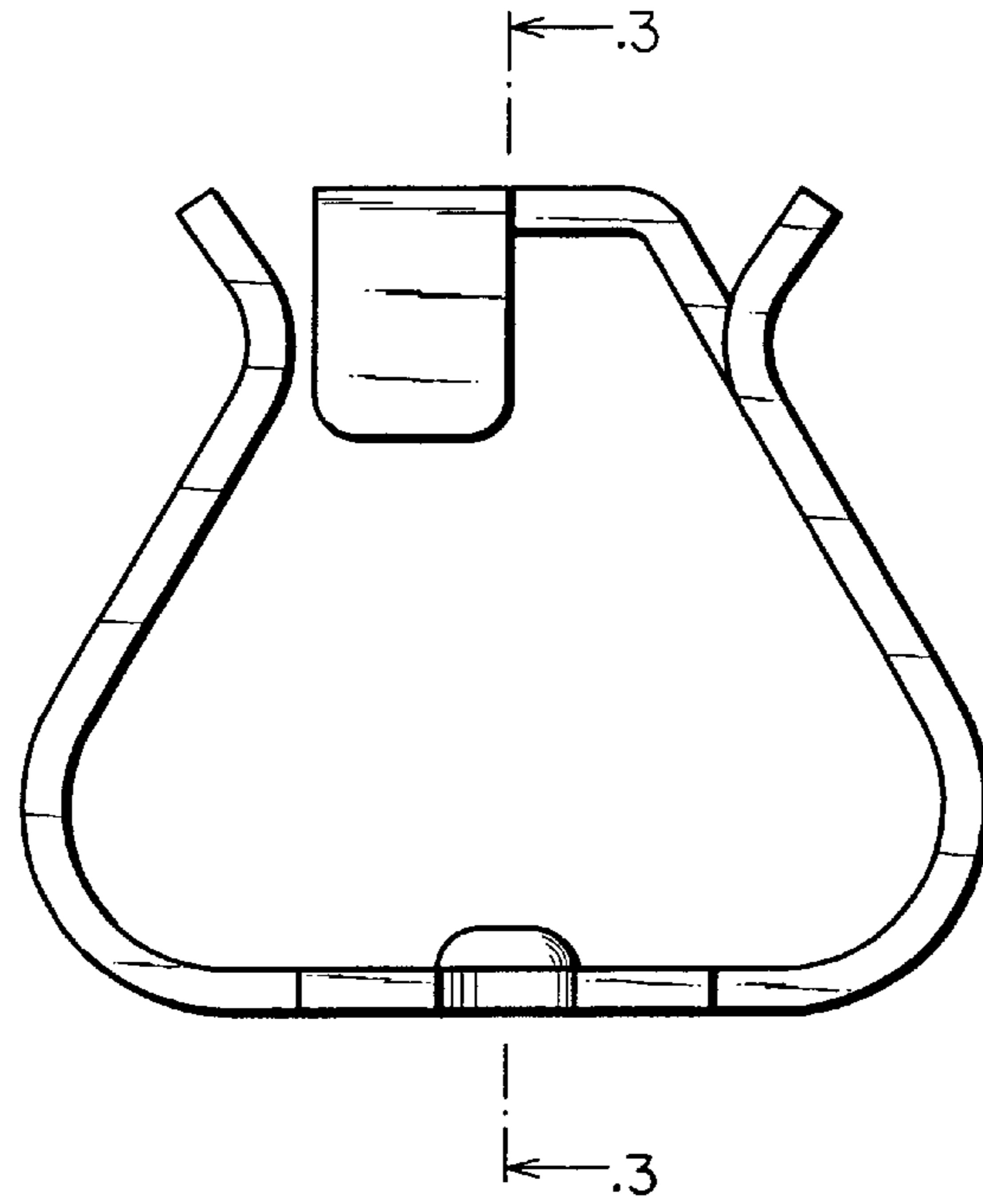


FIG. 2

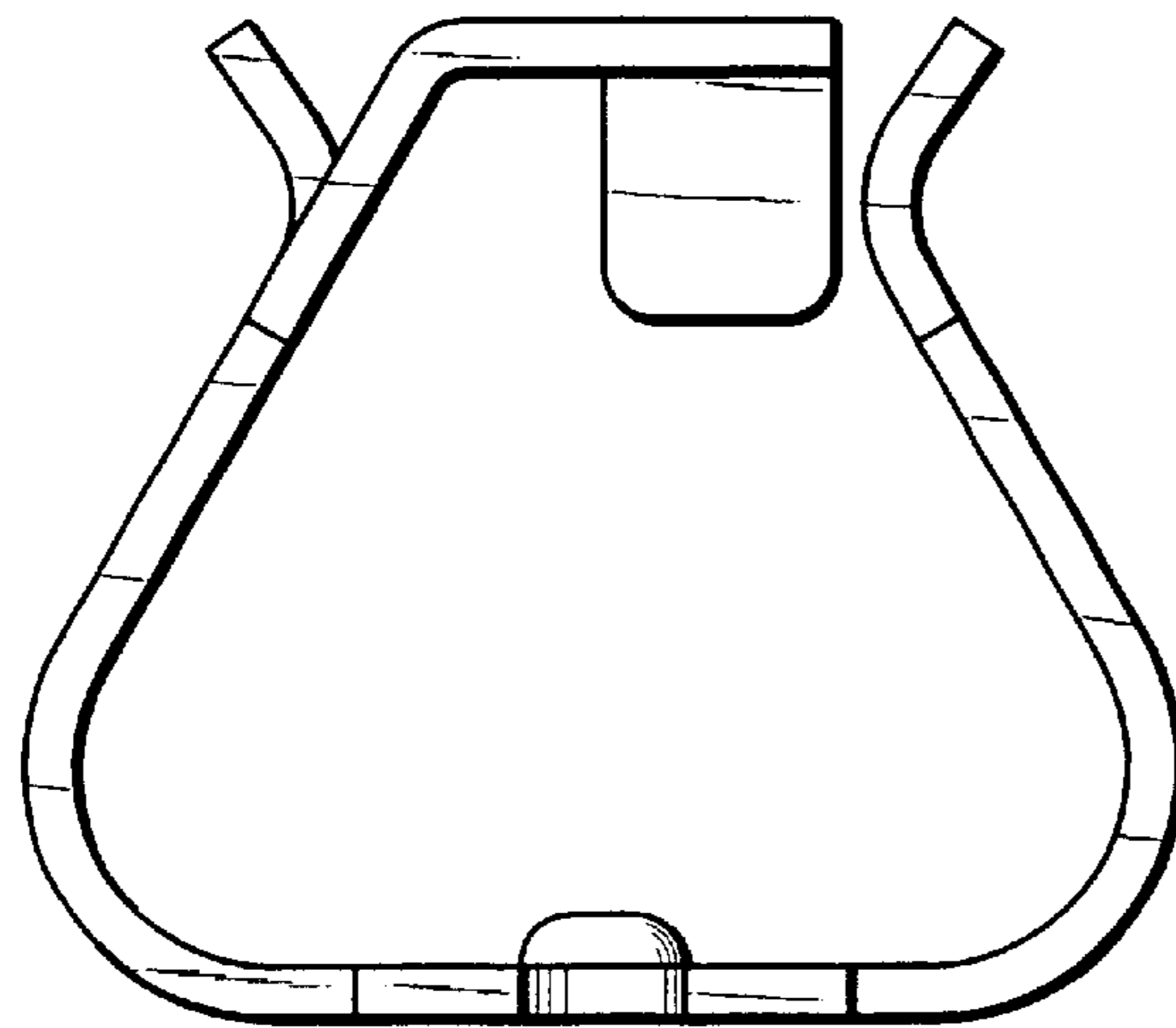


FIG. 3

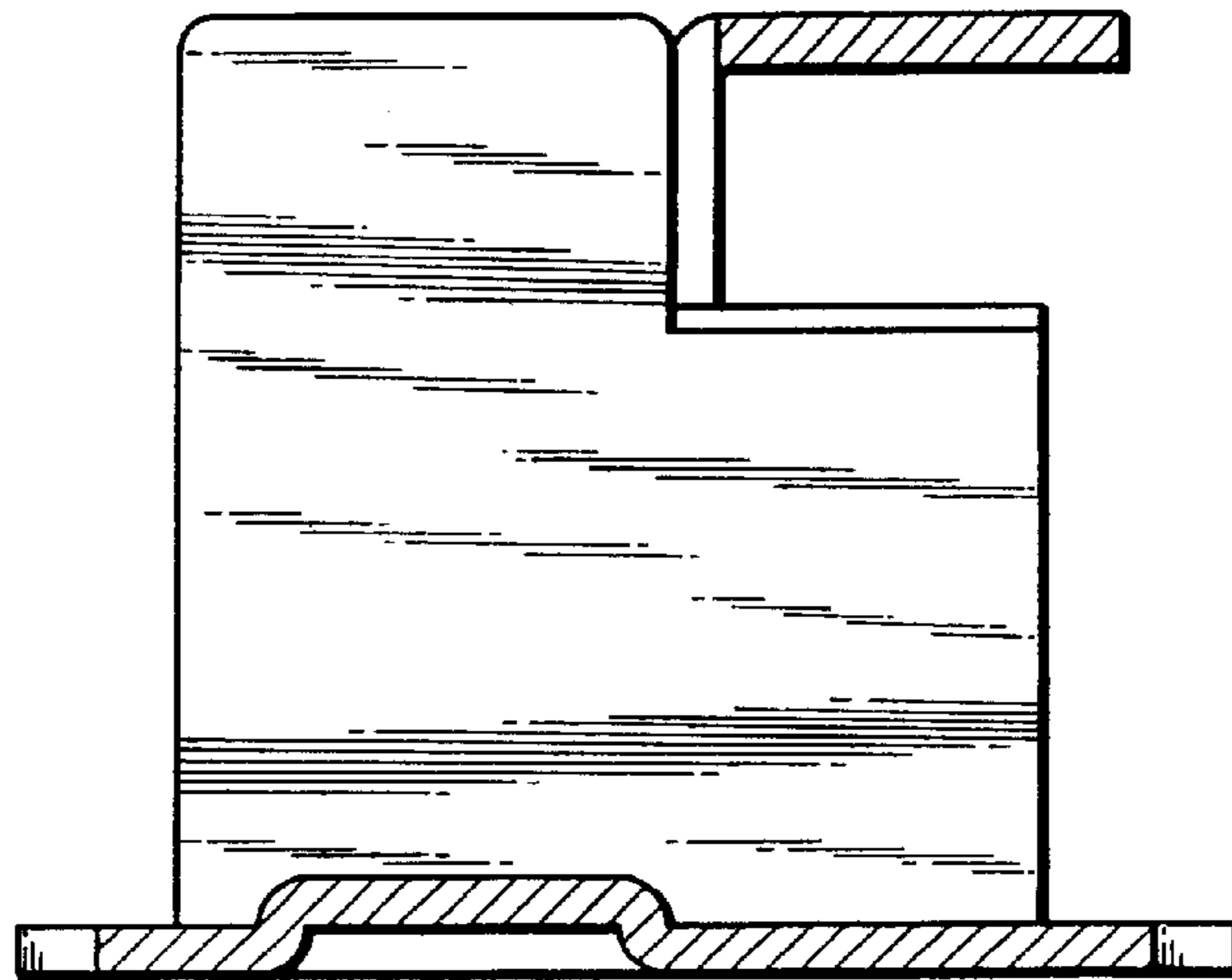


FIG. 4

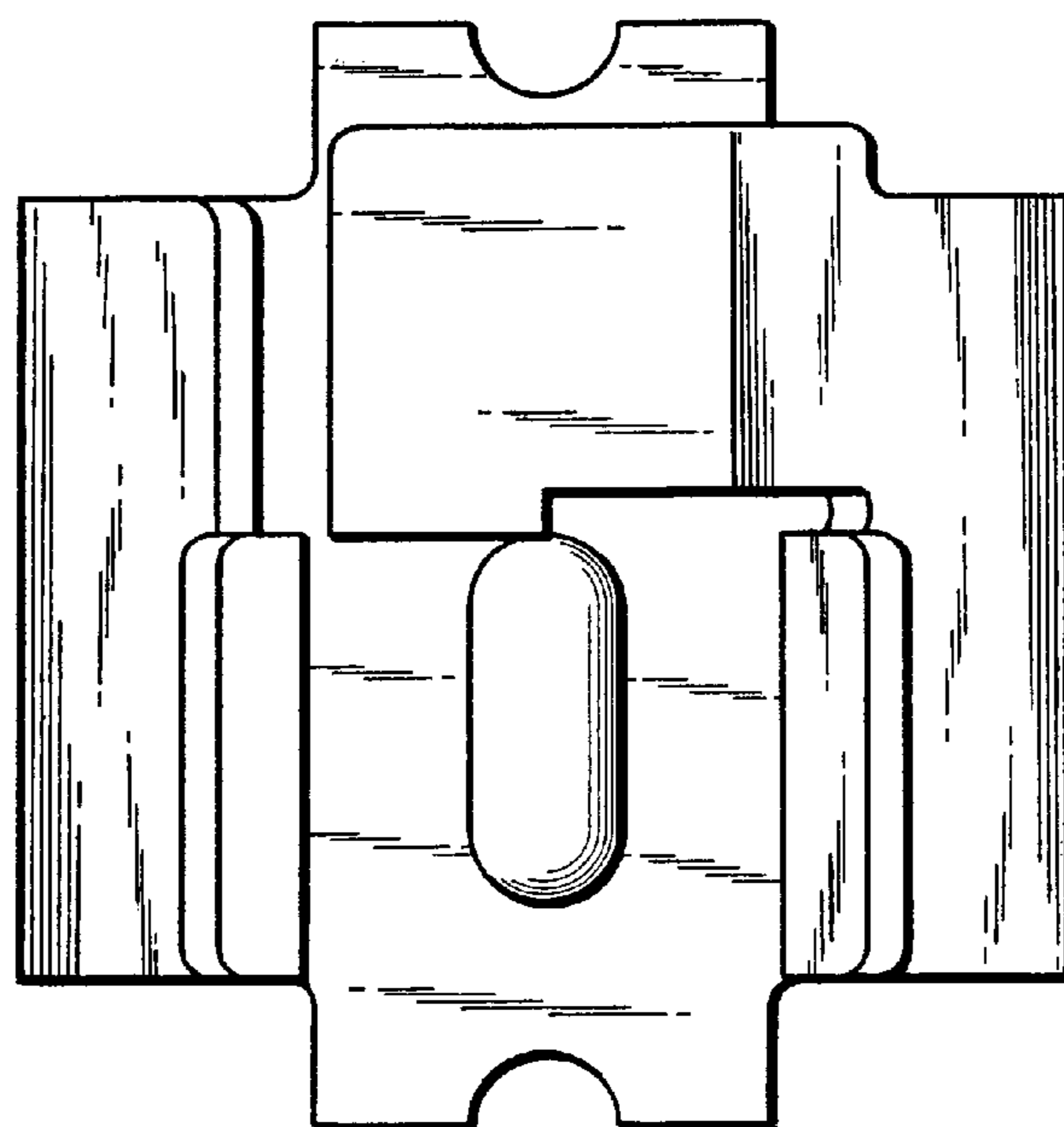


FIG. 5

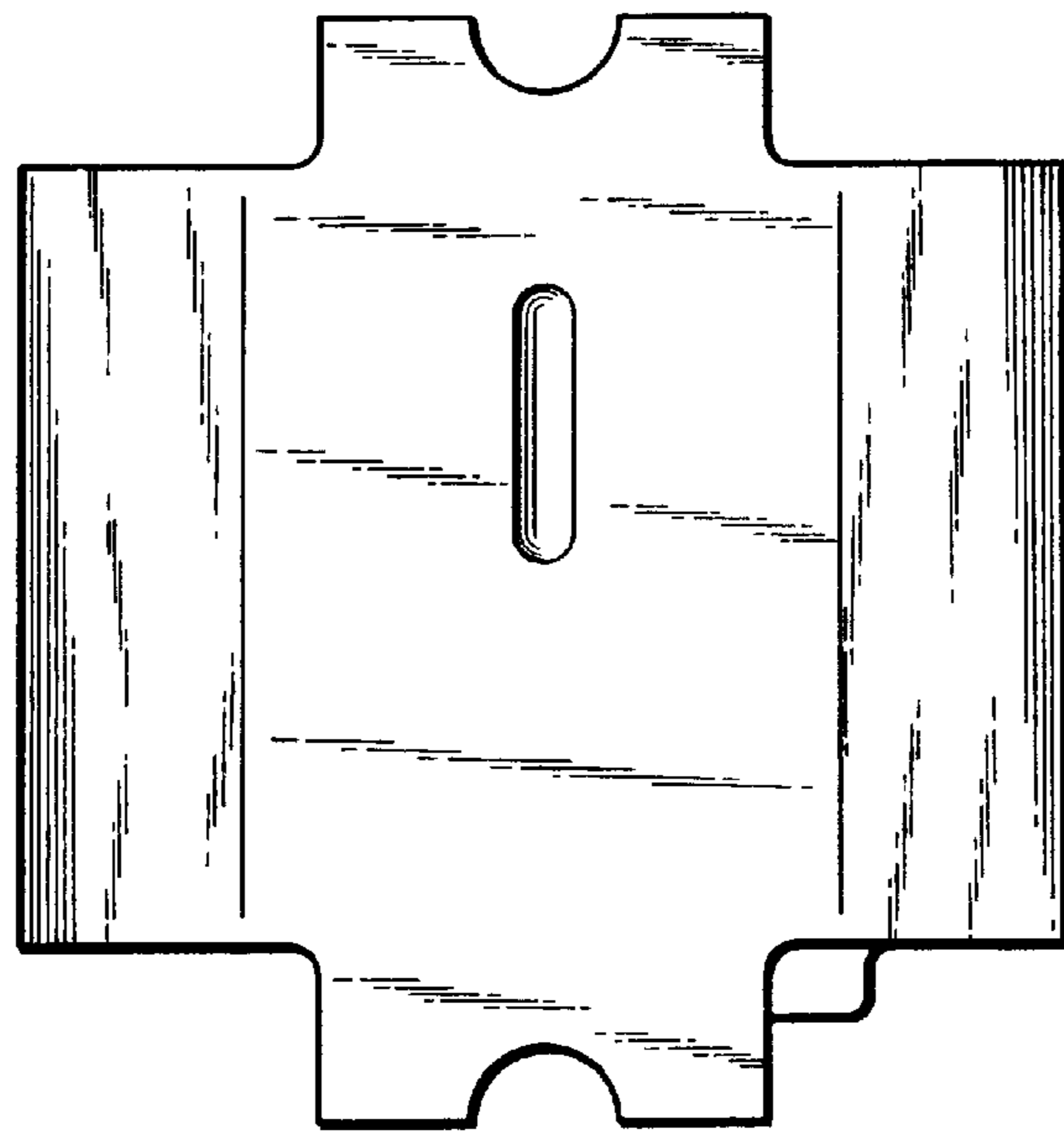


FIG. 6

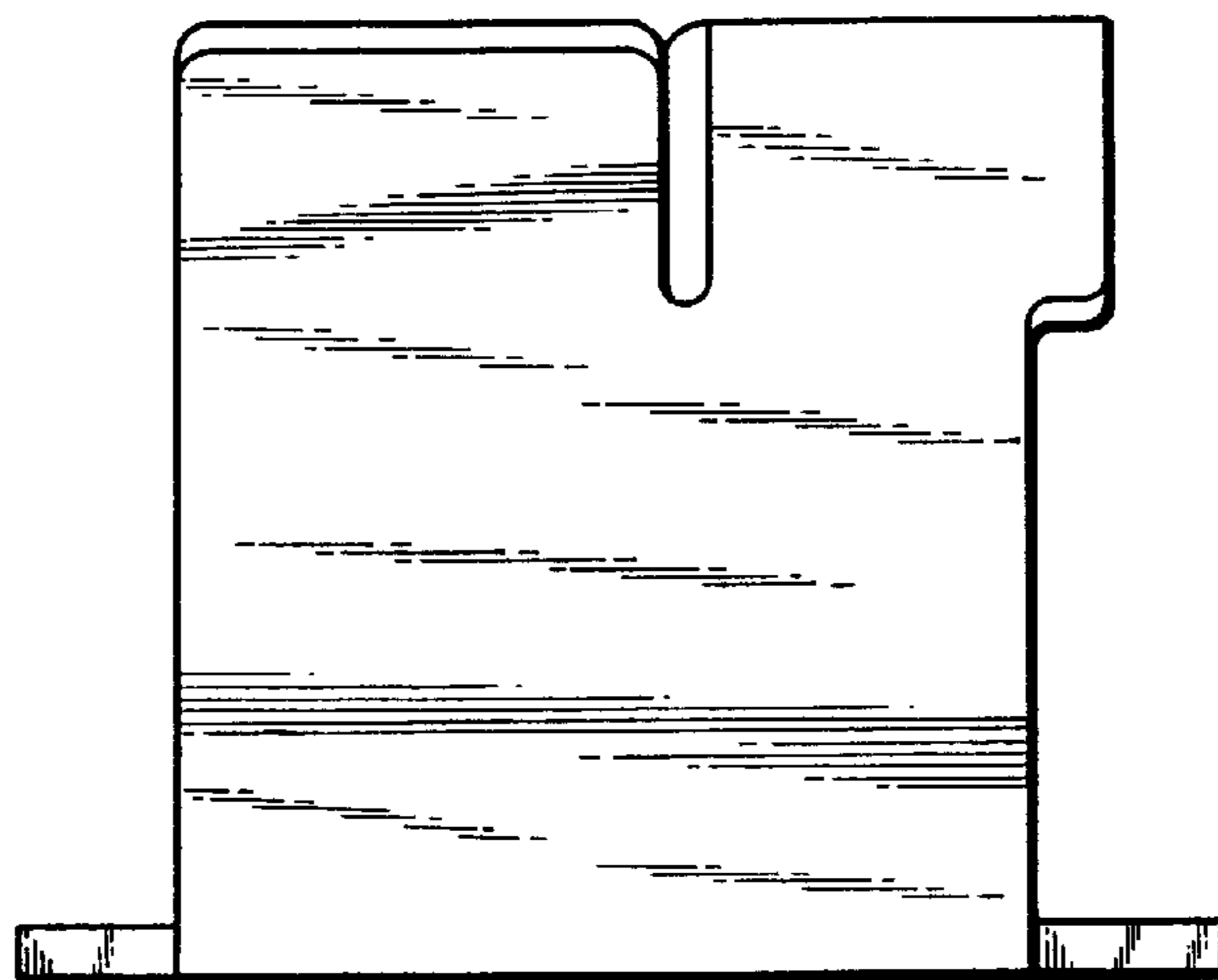


FIG. 7

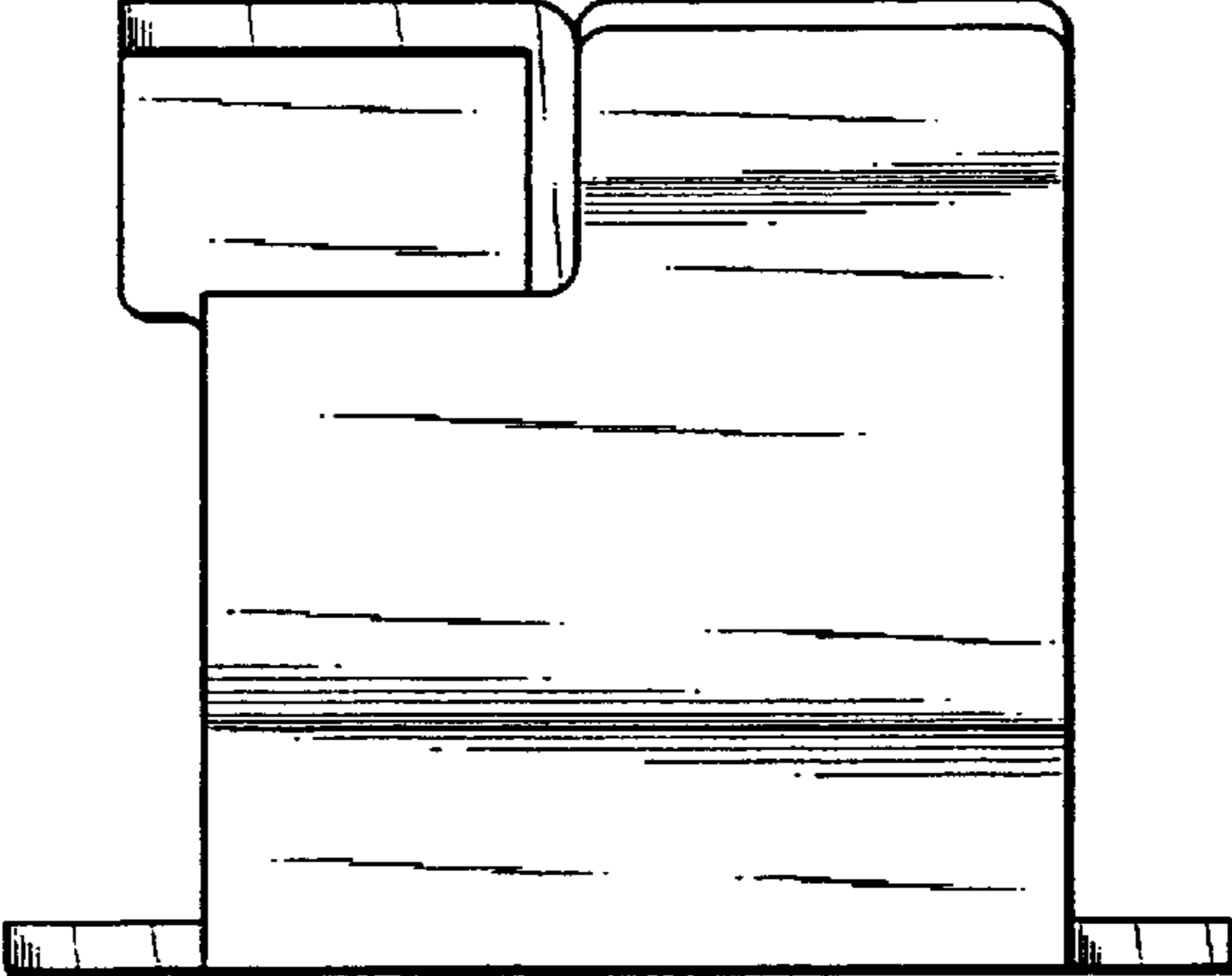


FIG. 8

