



US00D517498S

(12) **United States Design Patent**  
**Butler et al.**

(10) **Patent No.:** **US D517,498 S**  
(45) **Date of Patent:** **\*\* \*Mar. 21, 2006**

(54) **WALL-MOUNTABLE CONTROL PANEL**

(75) Inventors: **Nathan J. Butler**, Harleysville, PA (US); **Elliot G. Jacoby**, Glenside, PA (US); **Timothy S. Majewski**, New Tripoli, PA (US); **Noel Mayo**, Philadelphia, PA (US); **Stephen S. Thompson**, London (GB); **Joel S. Spira**, Coopersburg, PA (US)

(73) Assignee: **Lutron Electronics Co., Inc.**, Coopersburg, PA (US)

(\*) Notice: This patent is subject to a terminal disclaimer.

(\*\*) Term: **14 Years**

(21) Appl. No.: **29/209,996**

(22) Filed: **Jul. 23, 2004**

(51) **LOC (8) Cl.** ..... **13-03**

(52) **U.S. Cl.** ..... **D13/164**

(58) **Field of Classification Search** ..... D13/162, D13/164, 170, 171, 177; D8/350, 353; 174/66, 174/67; 200/5 A, 5 R, 237, 293, 308, 310, 200/313, 314, 329, 341; 315/291, 295, 320; 338/184, 226

See application file for complete search history.

(56) **References Cited**

**U.S. PATENT DOCUMENTS**

D287,242 S \* 12/1986 Liss et al. .... D13/177

D313,738 S \* 1/1991 Mayo et al. .... D8/353  
5,030,893 A \* 7/1991 Spira et al. .... 178/18.08  
5,463,286 A \* 10/1995 D'Aleo et al. .... 315/295  
D436,930 S \* 1/2001 Butler ..... D13/162  
D453,742 S \* 2/2002 Butler et al. .... D13/164  
D456,783 S \* 5/2002 Mayo et al. .... D13/164  
D490,061 S \* 5/2004 Bennett et al. .... D13/169

\* cited by examiner

*Primary Examiner*—Stella Reid

*Assistant Examiner*—Selina Sikder

(74) *Attorney, Agent, or Firm*—Drinker Biddle & Reath LLP

(57) **CLAIM**

The ornamental design for a wall-mountable control panel, as shown and described.

**DESCRIPTION**

FIG. 1 is a front perspective view of a wall-mountable control panel showing a first embodiment of our new design.

FIG. 2 is a front elevation view thereof.

FIG. 3 is a bottom view thereof.

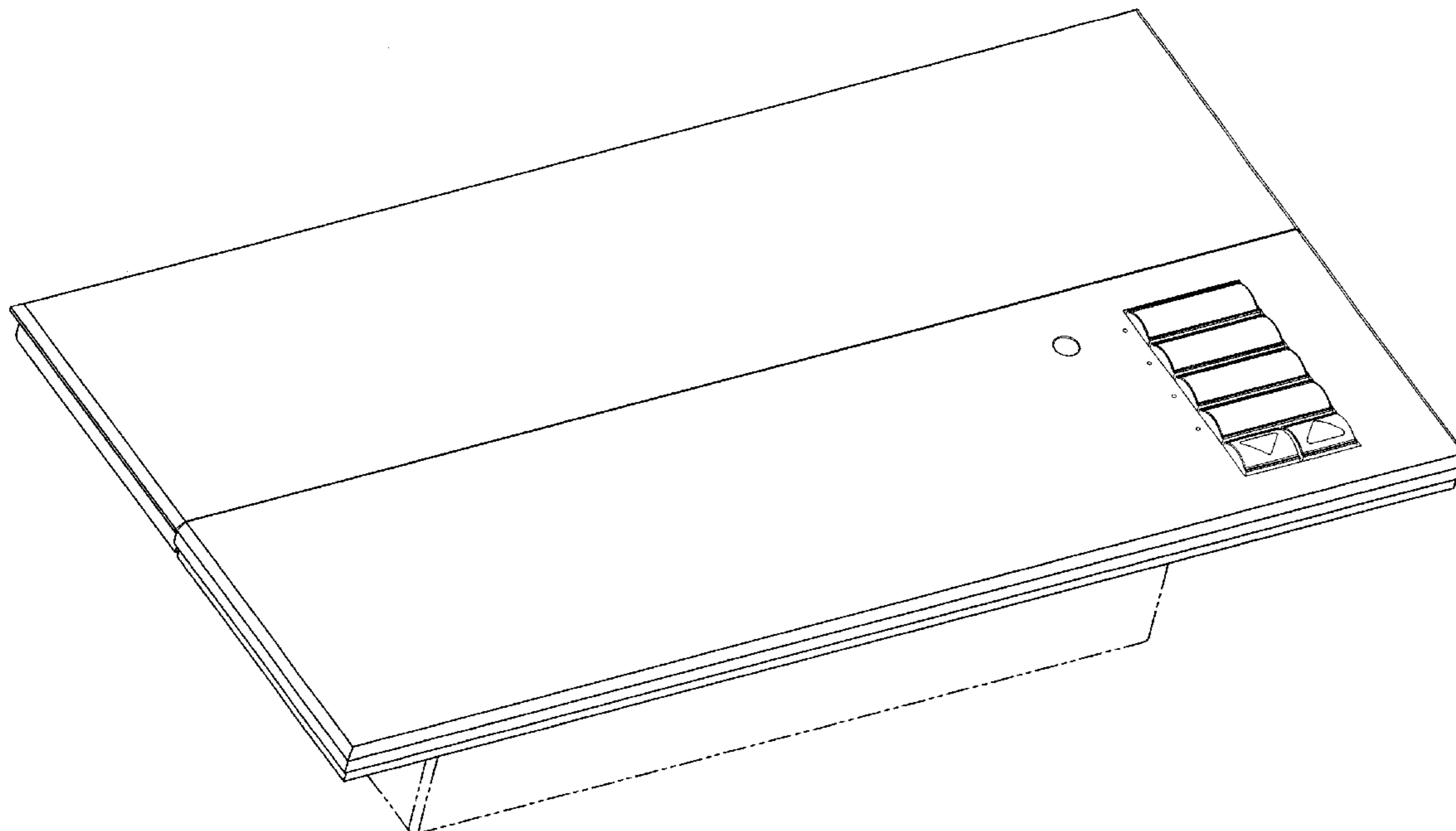
FIG. 4 is a top view thereof.

FIG. 5 is a left side view thereof; and,

FIG. 6 is a right side view thereof.

The portions of the drawings appearing in broken line are for environment only and do not form a part of the design.

**1 Claim, 5 Drawing Sheets**



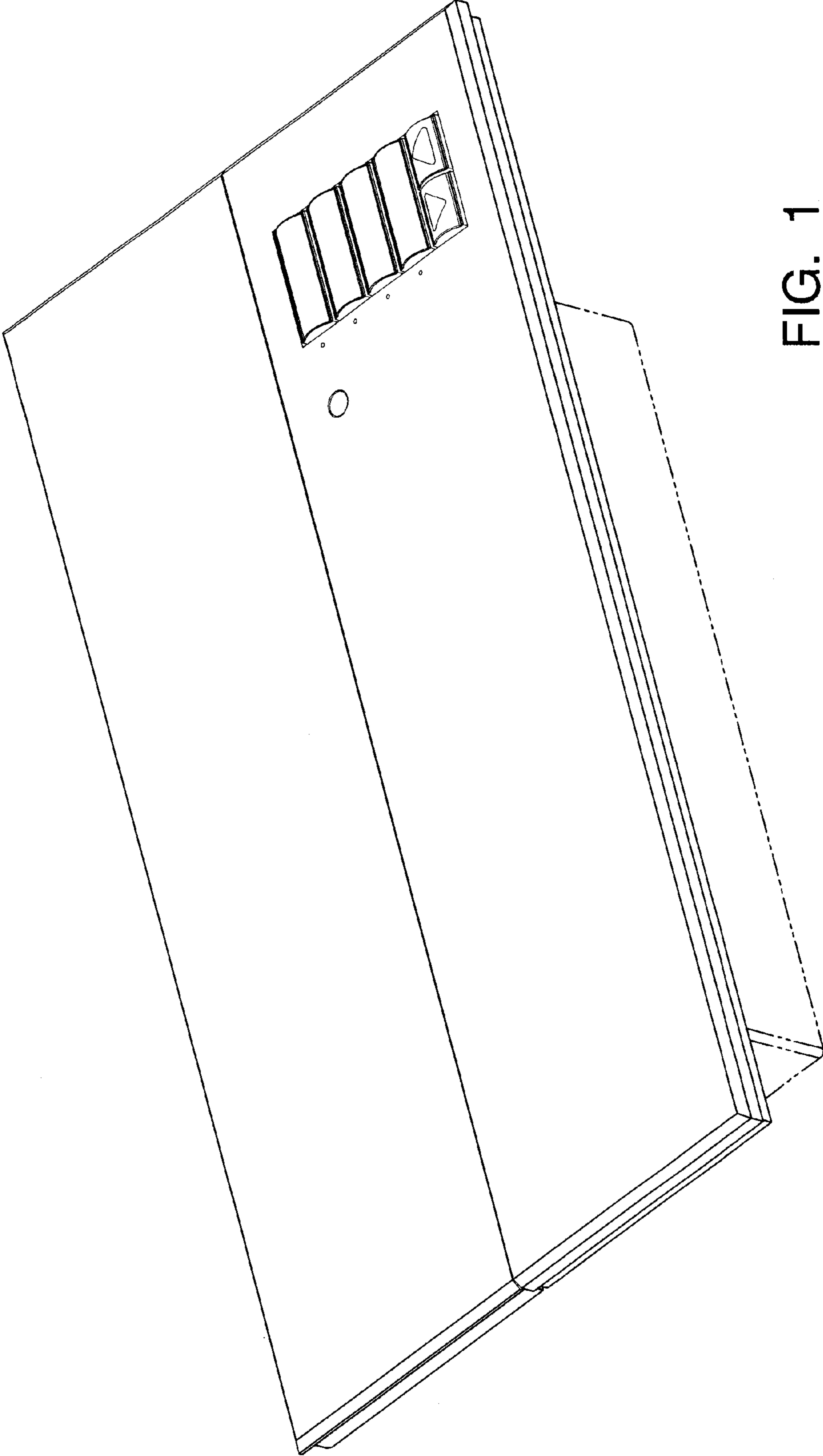


FIG. 1

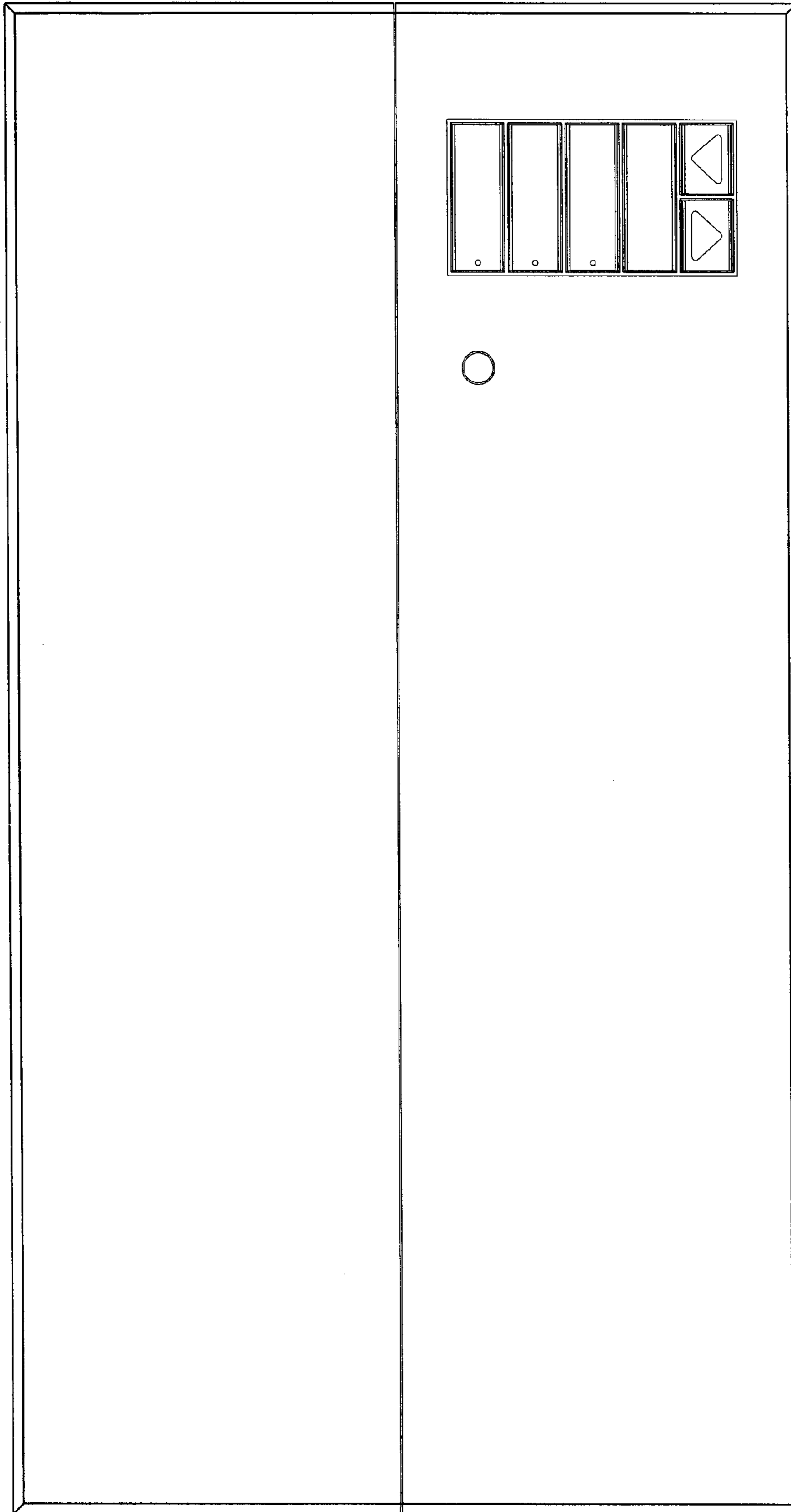


FIG. 2

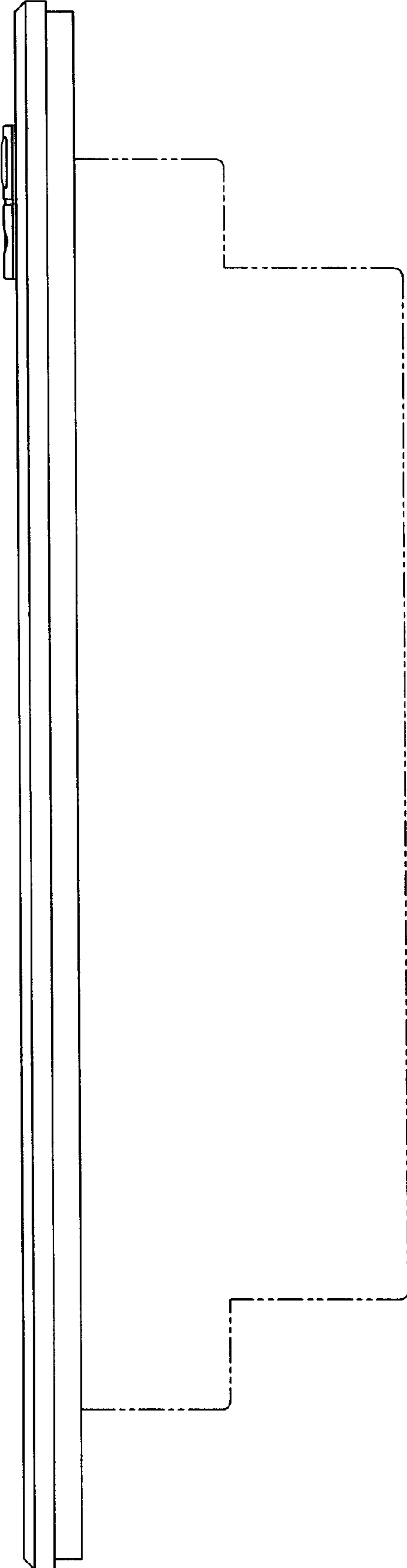


FIG. 3

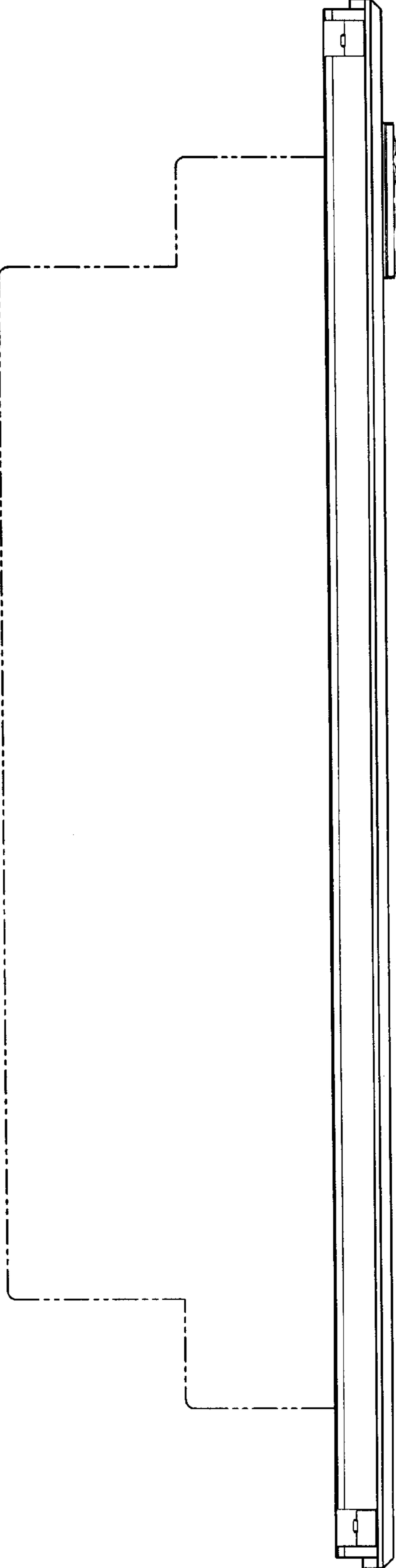


FIG. 4

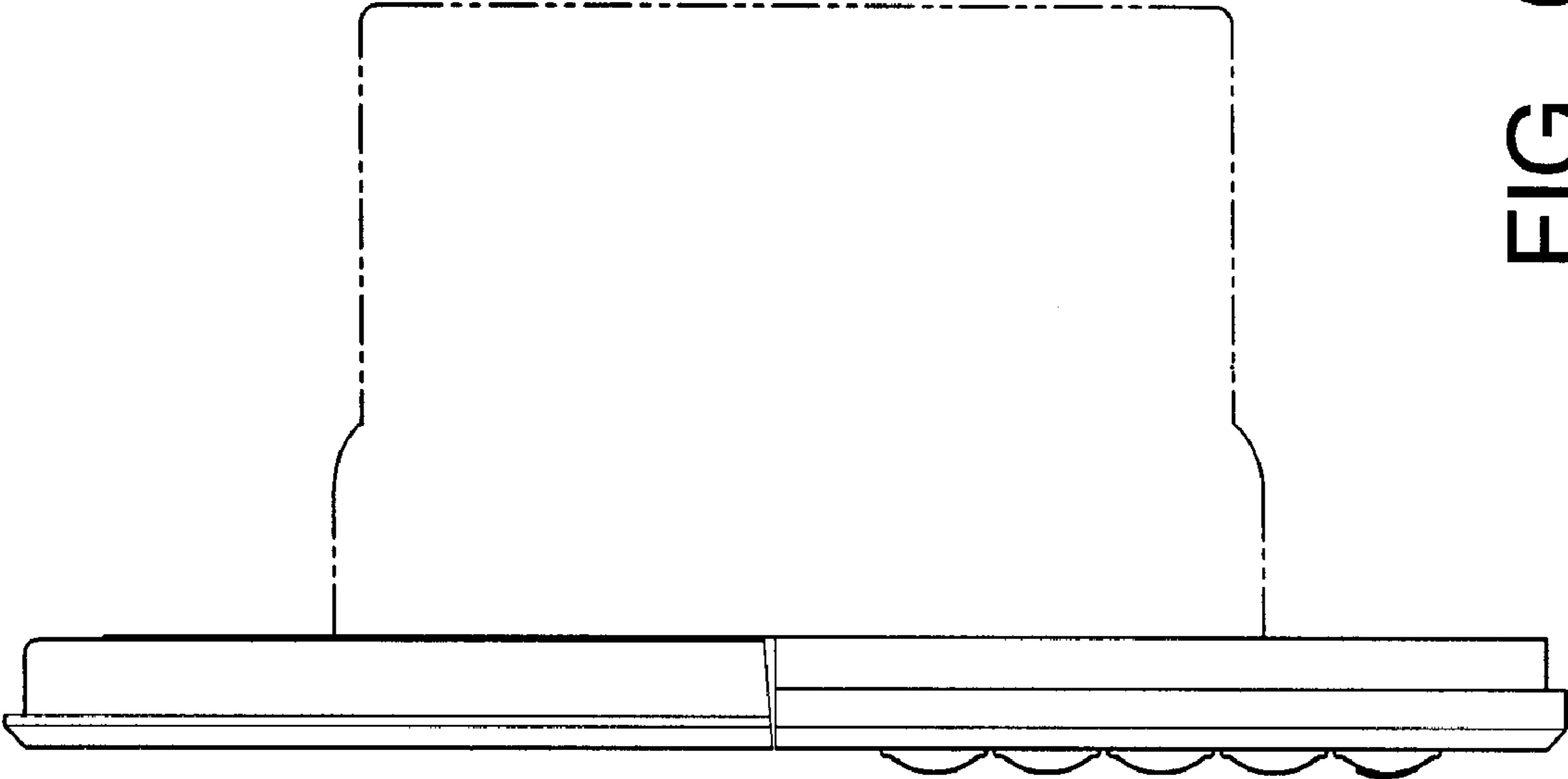


FIG. 6

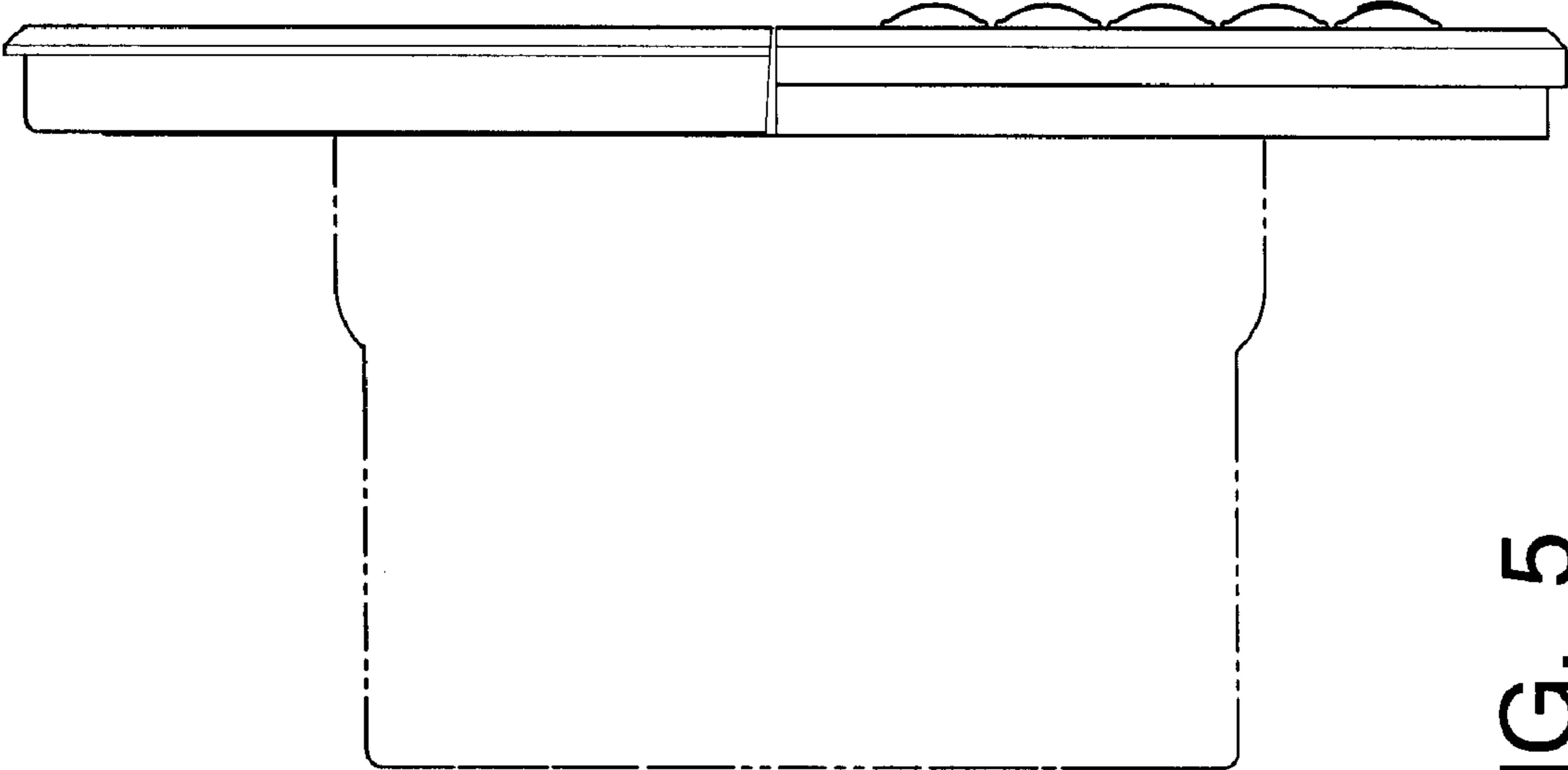


FIG. 5