



US00D517496S

(12) **United States Design Patent**  
**Montena**

(10) **Patent No.:** **US D517,496 S**  
(45) **Date of Patent:** **\*\* \*Mar. 21, 2006**

- (54) **COAXIAL CONNECTOR**
- (75) **Inventor:** **Noah Montena**, Syracuse, NY (US)
- (73) **Assignee:** **John Mezzalingua Associates, Inc.**,  
East Syracuse, NY (US)
- (\*) **Notice:** This patent is subject to a terminal disclaimer.
- (\*\*) **Term:** **14 Years**
- (21) **Appl. No.:** **29/207,835**
- (22) **Filed:** **Jun. 18, 2004**
- (51) **LOC (8) Cl.** ..... **13-03**
- (52) **U.S. Cl.** ..... **D13/151**
- (58) **Field of Classification Search** ..... D13/133,  
D13/149, 151, 154, 184, 199; 439/13, 20,  
439/22, 135, 246, 306, 480, 476.1, 578, 583-585,  
439/805  
See application file for complete search history.

|             |          |                 |               |
|-------------|----------|-----------------|---------------|
| 5,607,325 A | 3/1997   | Toma            |               |
| 5,975,951 A | 11/1999  | Burris et al.   |               |
| 6,032,358 A | 3/2000   | Wild            |               |
| 6,146,197 A | 11/2000  | Holliday et al. |               |
| 6,153,830 A | 11/2000  | Montena         |               |
| D436,076 S  | * 1/2001 | Montena         | ..... D13/133 |
| D437,826 S  | * 2/2001 | Montena         | ..... D13/133 |
| D440,539 S  | * 4/2001 | Montena         | ..... D13/133 |
| D440,939 S  | * 4/2001 | Montena         | ..... D13/133 |
| D460,739 S  | * 7/2002 | Fox             | ..... D13/154 |
| D468,696 S  | * 1/2003 | Montena         | ..... D13/151 |
| D475,977 S  | * 6/2003 | Montena         | ..... D13/151 |
| D503,685 S  | * 4/2005 | Montena         | ..... D13/154 |
| D504,113 S  | * 4/2005 | Montena         | ..... D13/154 |
| D504,114 S  | * 4/2005 | Montena         | ..... D13/154 |

\* cited by examiner

*Primary Examiner*—Stella Reid  
*Assistant Examiner*—Daniel Bui  
(74) *Attorney, Agent, or Firm*—Wall Marjama & Bilinski  
LLP

(57) **CLAIM**

The ornamental design for a coaxial connector, as shown and described.

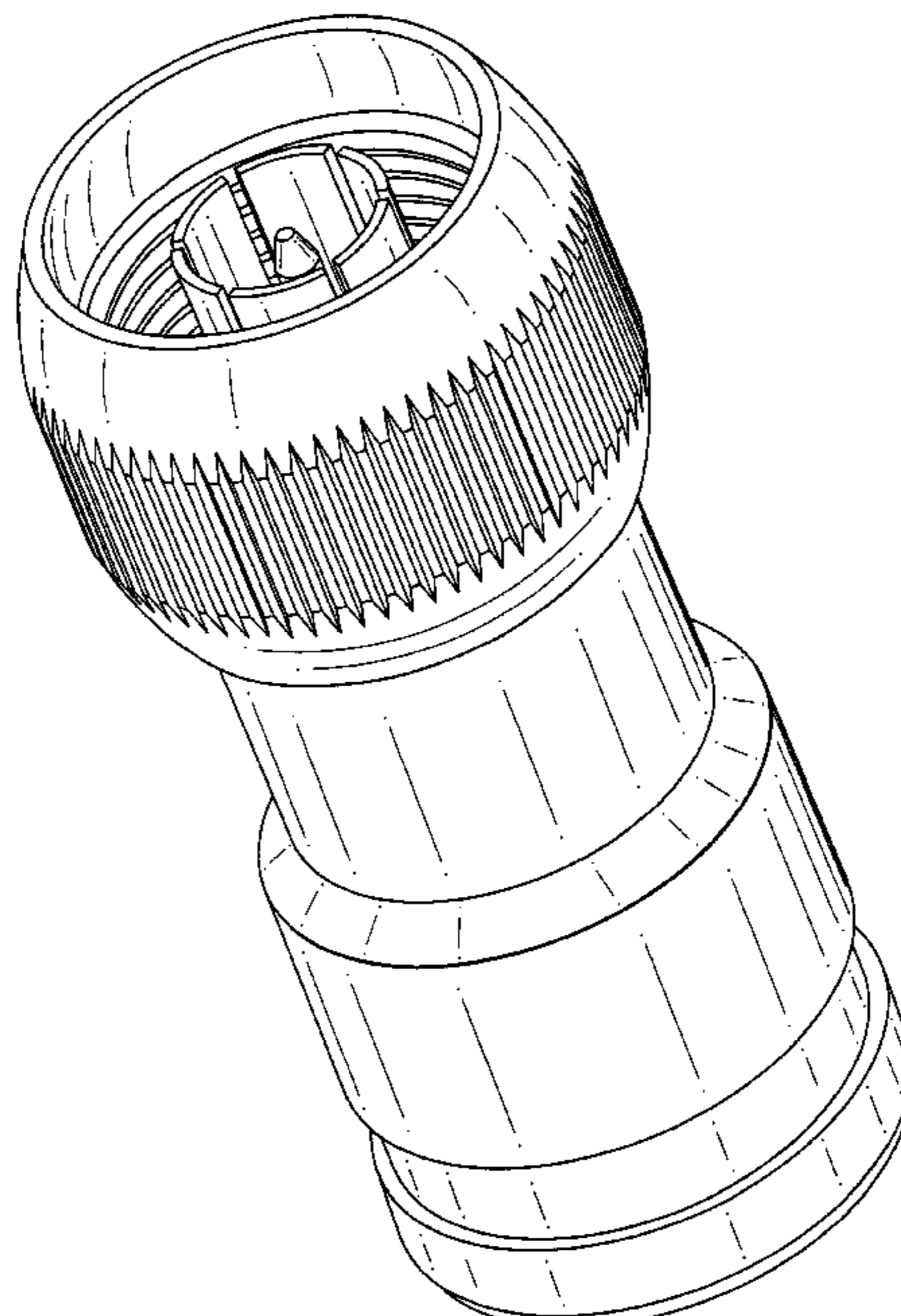
**DESCRIPTION**

FIG. 1 is a perspective view of a coaxial connector in a open position, showing my new design;  
FIG. 2 is a front elevation view thereof, the rear, left side and right side elevation views are mirror images thereto;  
FIG. 3 is a top plan view thereof; and,  
FIG. 4 is a bottom plan view thereof.  
The broken lines in the drawings depict environmental structure, are for illustrative purposes only and form no part of the claimed design.

**1 Claim, 3 Drawing Sheets**

(56) **References Cited**  
**U.S. PATENT DOCUMENTS**

|             |         |                  |
|-------------|---------|------------------|
| 3,184,706 A | 5/1965  | Atkins           |
| 3,846,738 A | 11/1974 | Nepovim          |
| 4,053,200 A | 10/1977 | Pugner           |
| 4,059,330 A | 11/1977 | Shirey           |
| 4,126,372 A | 11/1978 | Hashimoto et al. |
| 4,583,811 A | 4/1986  | McMills          |
| 4,650,228 A | 3/1987  | McMills et al.   |
| 4,668,043 A | 5/1987  | Saba et al.      |
| 4,902,246 A | 2/1990  | Samchisen        |
| 5,024,606 A | 6/1991  | Ming Hwa         |
| 5,073,129 A | 12/1991 | Szegda           |
| 5,470,257 A | 11/1995 | Szegda           |
| 5,564,942 A | 10/1996 | Lee              |



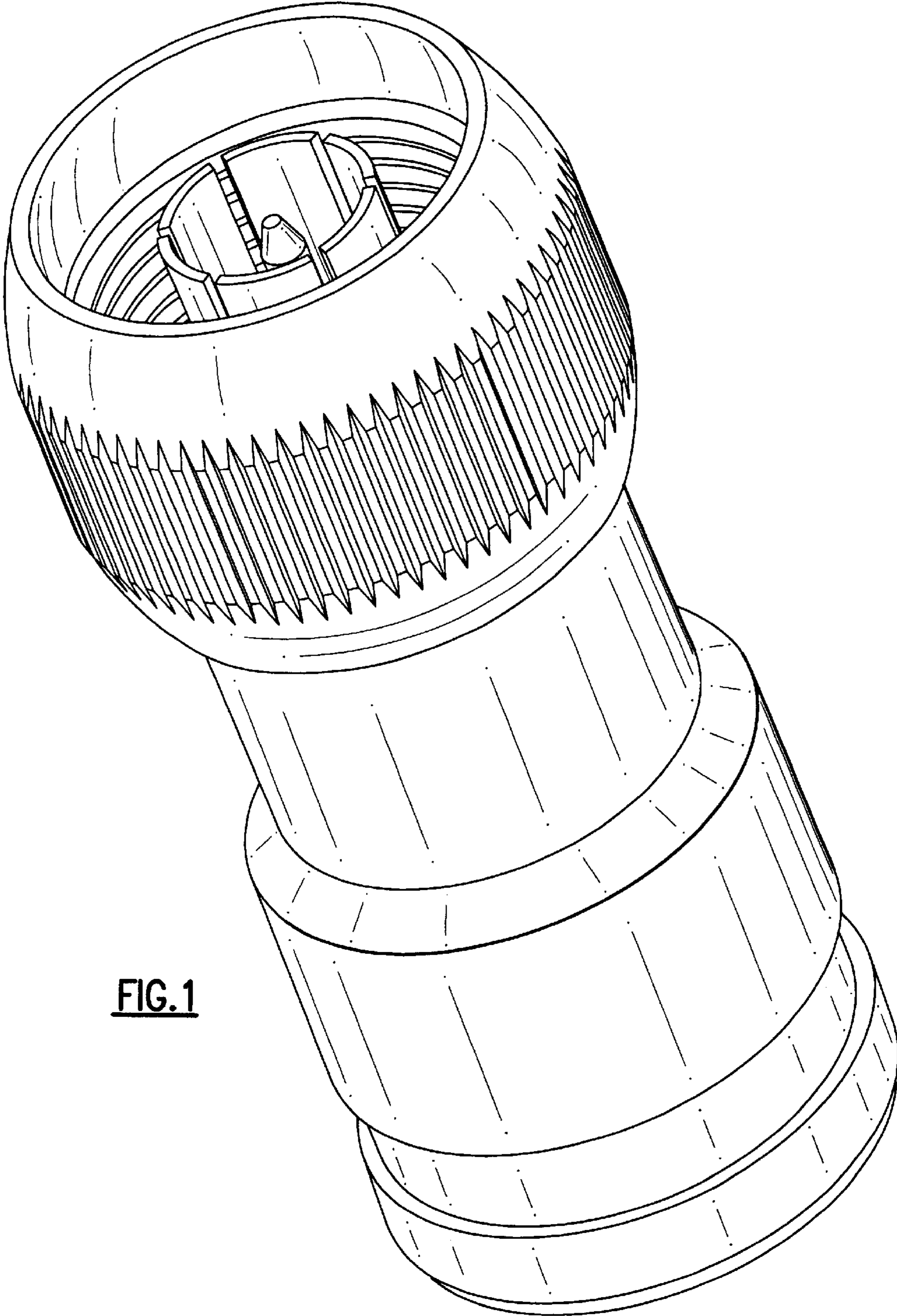
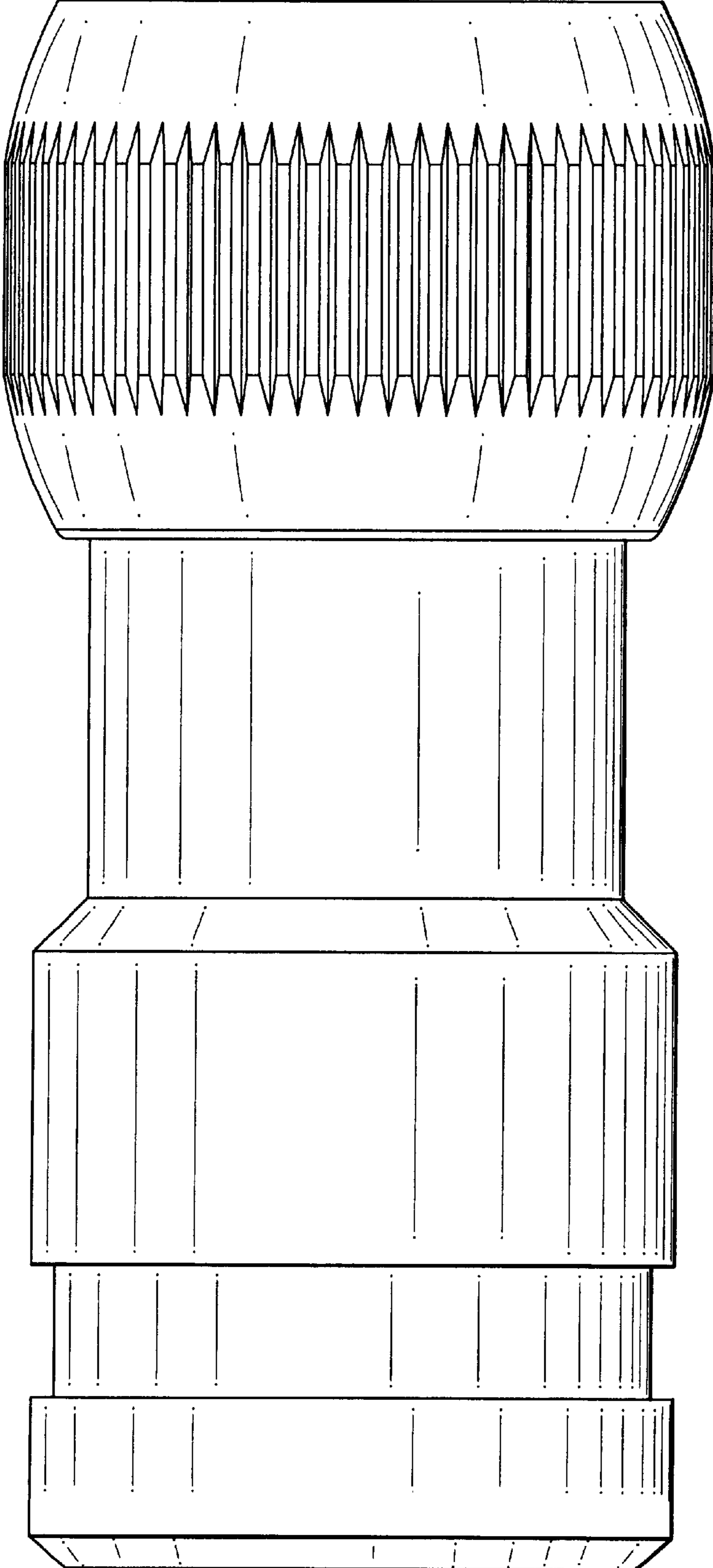


FIG.1



**FIG.2**



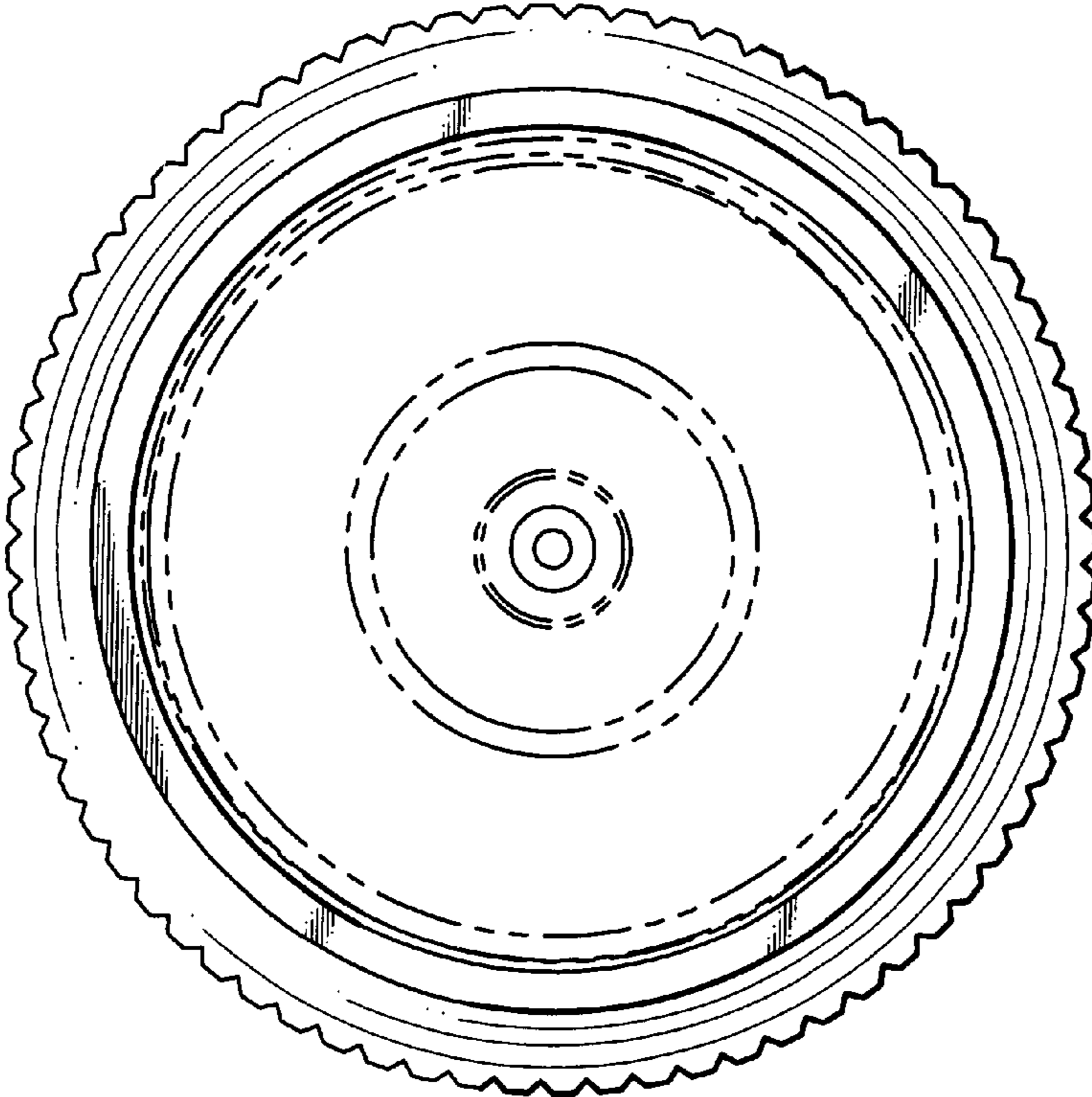


FIG.3

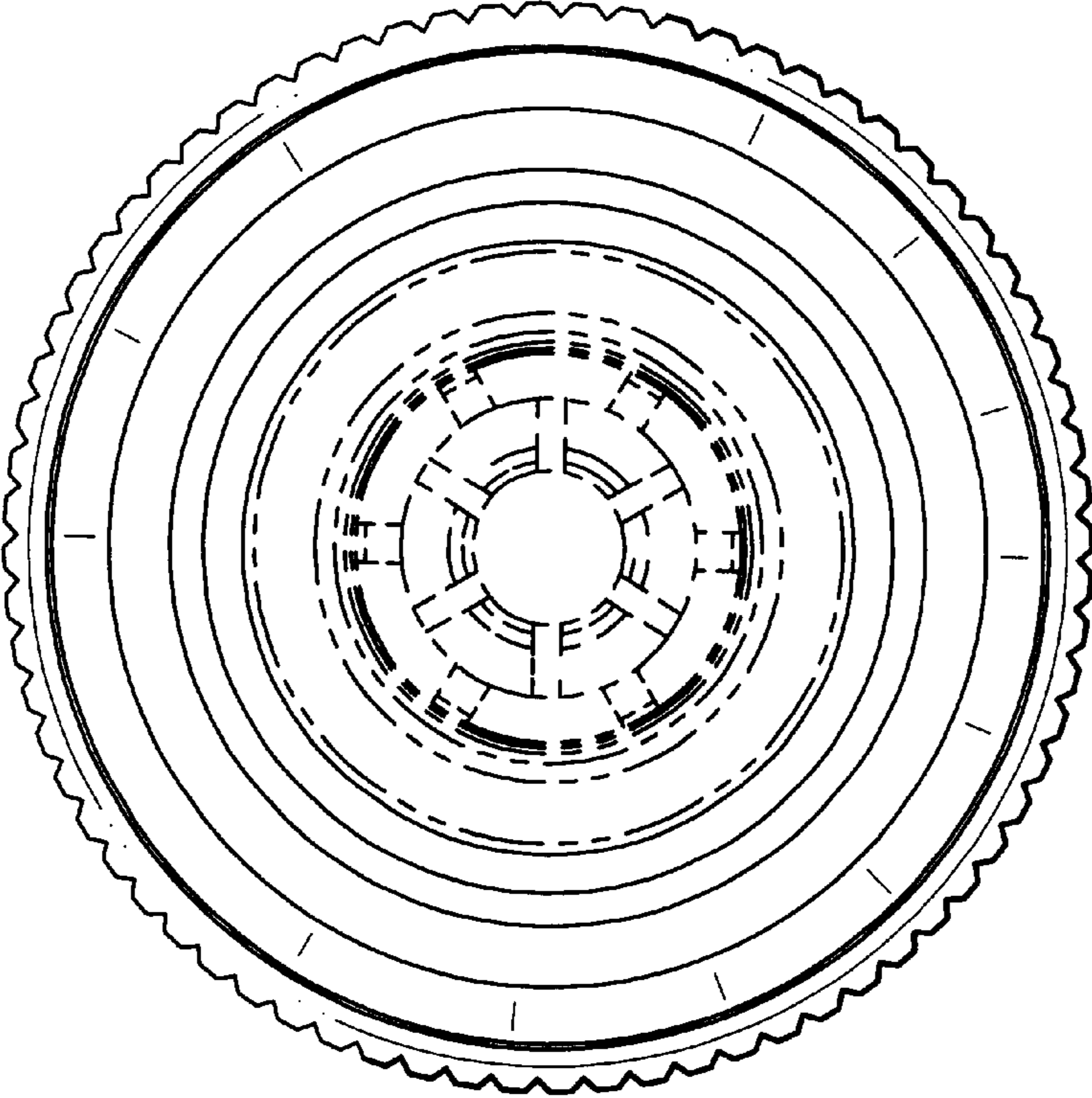


FIG.4