

US00D517495S

(12) **United States Design Patent**  
**Fan**

(10) **Patent No.:** **US D517,495 S**

(45) **Date of Patent:** **\*\* Mar. 21, 2006**

(54) **ELECTRICAL CONNECTOR**

(75) **Inventor:** **Chia-Hao Fan, Tu-Cheng (TW)**

(73) **Assignee:** **Hon Hai Precision Ind. Co., Ltd.,  
Taipei Hsien (TW)**

(\*\*) **Term:** **14 Years**

(21) **Appl. No.:** **29/233,072**

(22) **Filed:** **Jun. 27, 2005**

(30) **Foreign Application Priority Data**

Mar. 25, 2005 (TW) ..... 94301659

(51) **LOC (8) Cl.** ..... **13-03**

(52) **U.S. Cl.** ..... **D13/147**

(58) **Field of Classification Search** ..... D13/146,  
D13/147, 184, 199; 439/74, 79, 83, 108,  
439/181, 607-610, 637, 638

See application file for complete search history.

(56) **References Cited**

**U.S. PATENT DOCUMENTS**

D409,981 S \* 5/1999 Wu ..... D13/147  
D413,577 S \* 9/1999 Ono et al. .... D13/147

D453,922 S \* 2/2002 Azuma et al. .... D13/147  
D471,873 S \* 3/2003 Kawase ..... D13/147  
6,565,390 B1 \* 5/2003 Wu ..... 439/680  
6,634,894 B1 \* 10/2003 Ko ..... 439/108  
D489,687 S \* 5/2004 Kawase et al. .... D13/147  
D491,528 S \* 6/2004 Fan ..... D13/147  
D505,919 S \* 6/2005 Moritake ..... D13/147

\* cited by examiner

*Primary Examiner*—Stella Reid  
*Assistant Examiner*—Daniel Bui

(74) *Attorney, Agent, or Firm*—Wei Te Chung

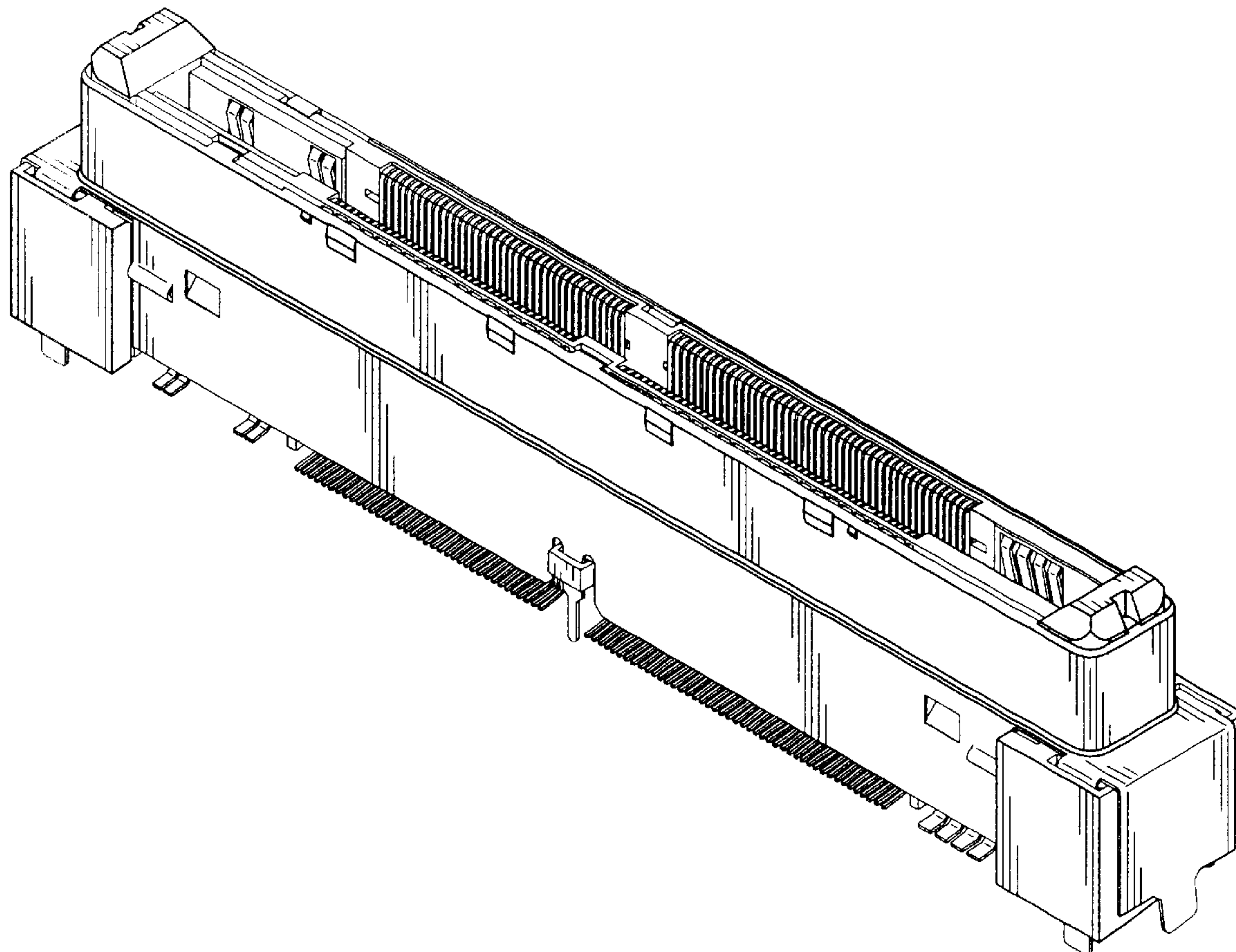
(57) **CLAIM**

The ornamental design for an electrical connector, as shown.

**DESCRIPTION**

FIG. 1 is a front, top and right side perspective view of an electrical connector showing my new design; FIG. 2 is a front elevational view thereof; FIG. 3 is a rear elevational view thereof; FIG. 4 is a left side elevational view thereof; FIG. 5 is a right side elevational view thereof; FIG. 6 is a top plan view thereof; and, FIG. 7 is a bottom plan view thereof.

**1 Claim, 6 Drawing Sheets**



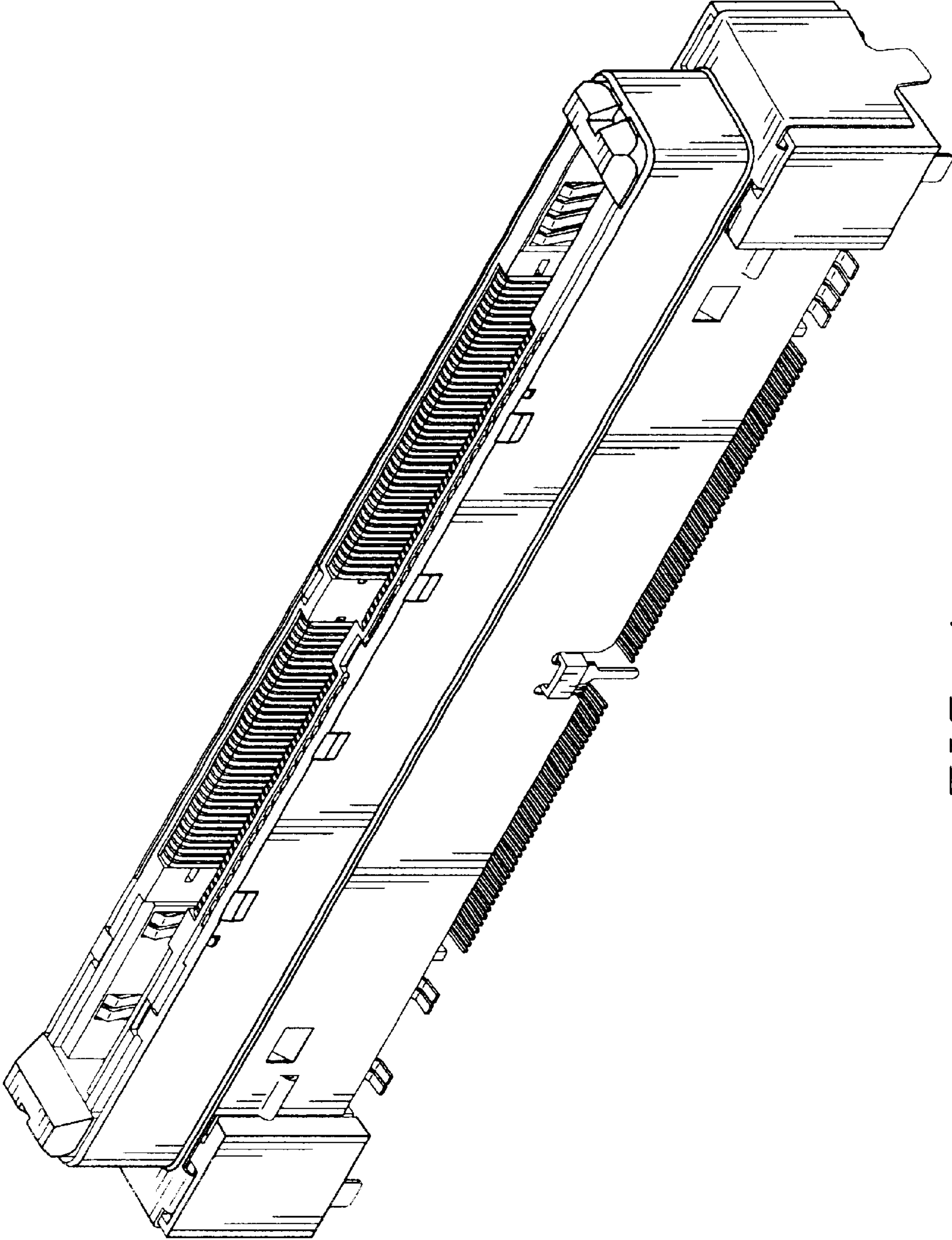


FIG. 1

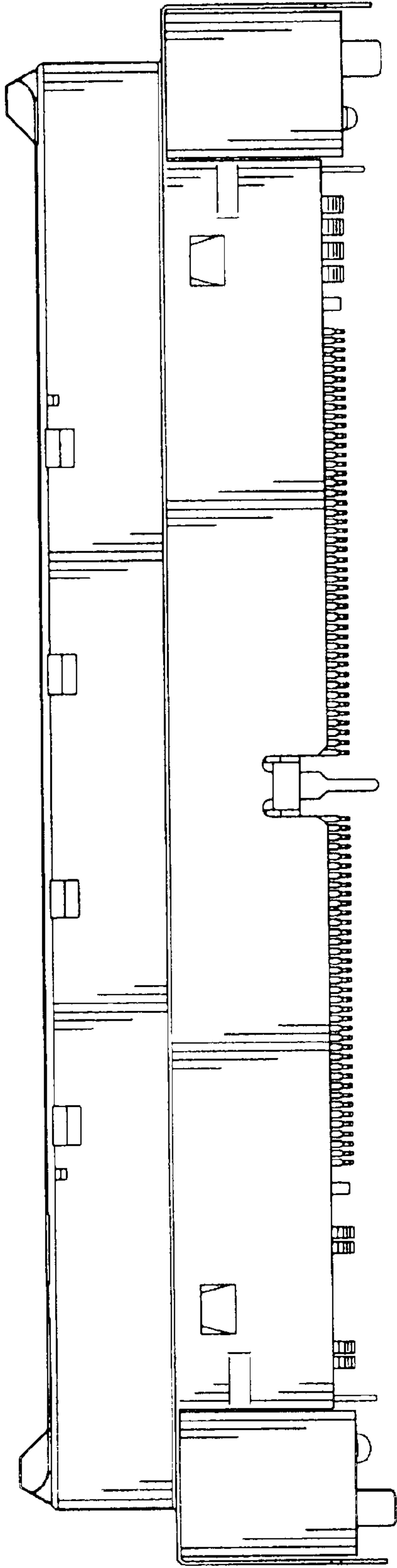


FIG. 2

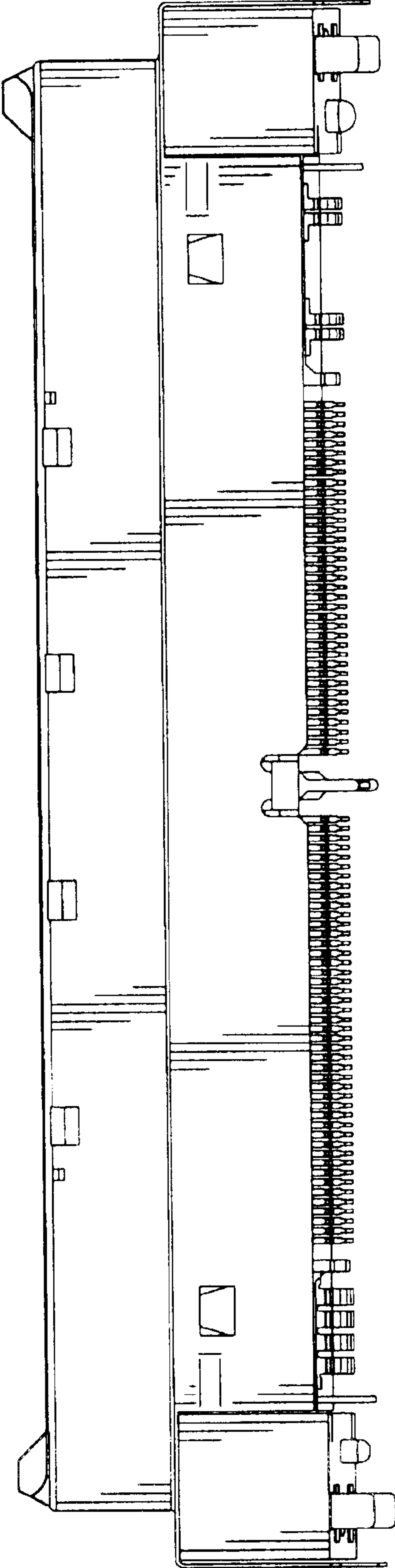


FIG. 3

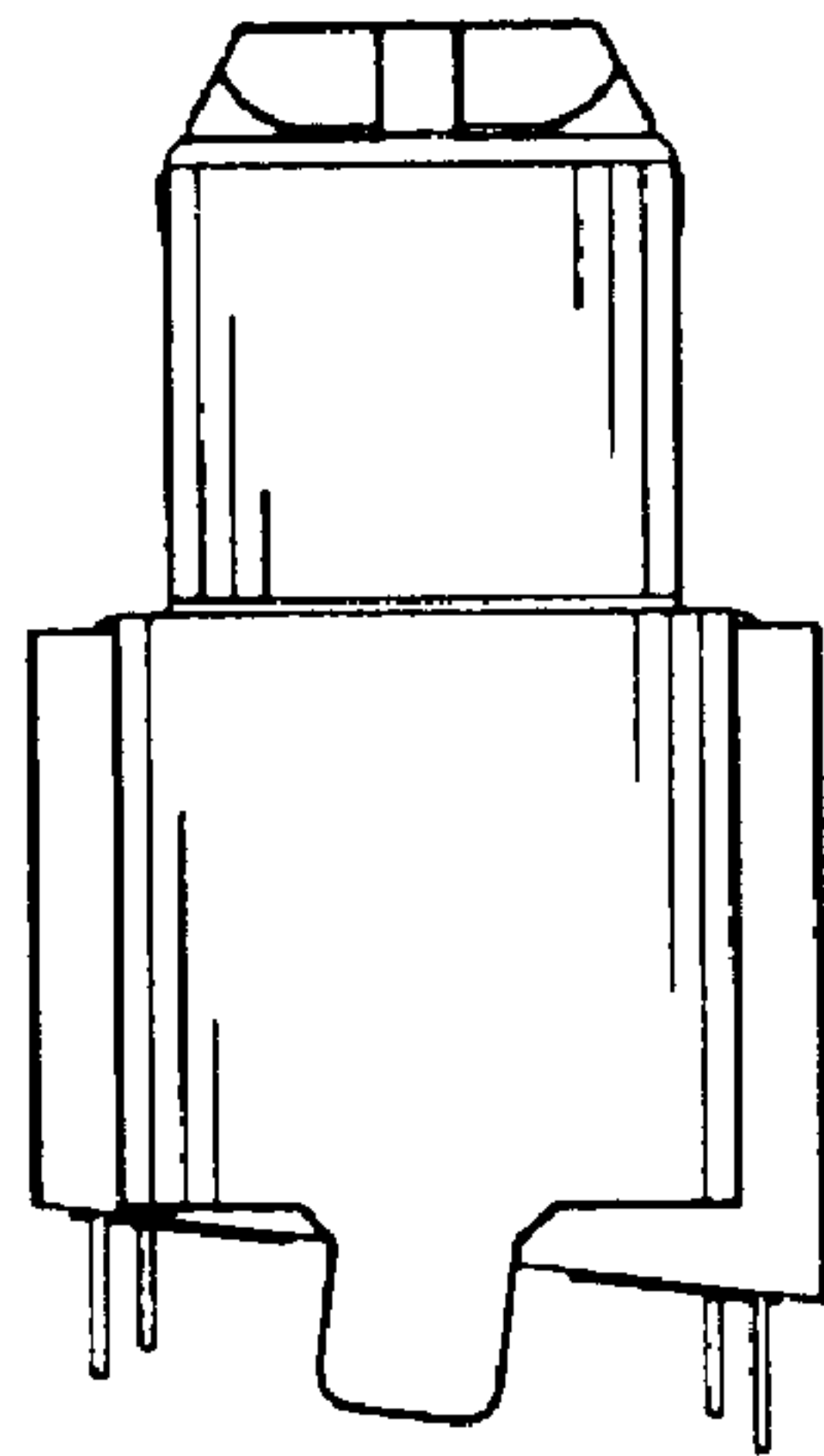


FIG. 4

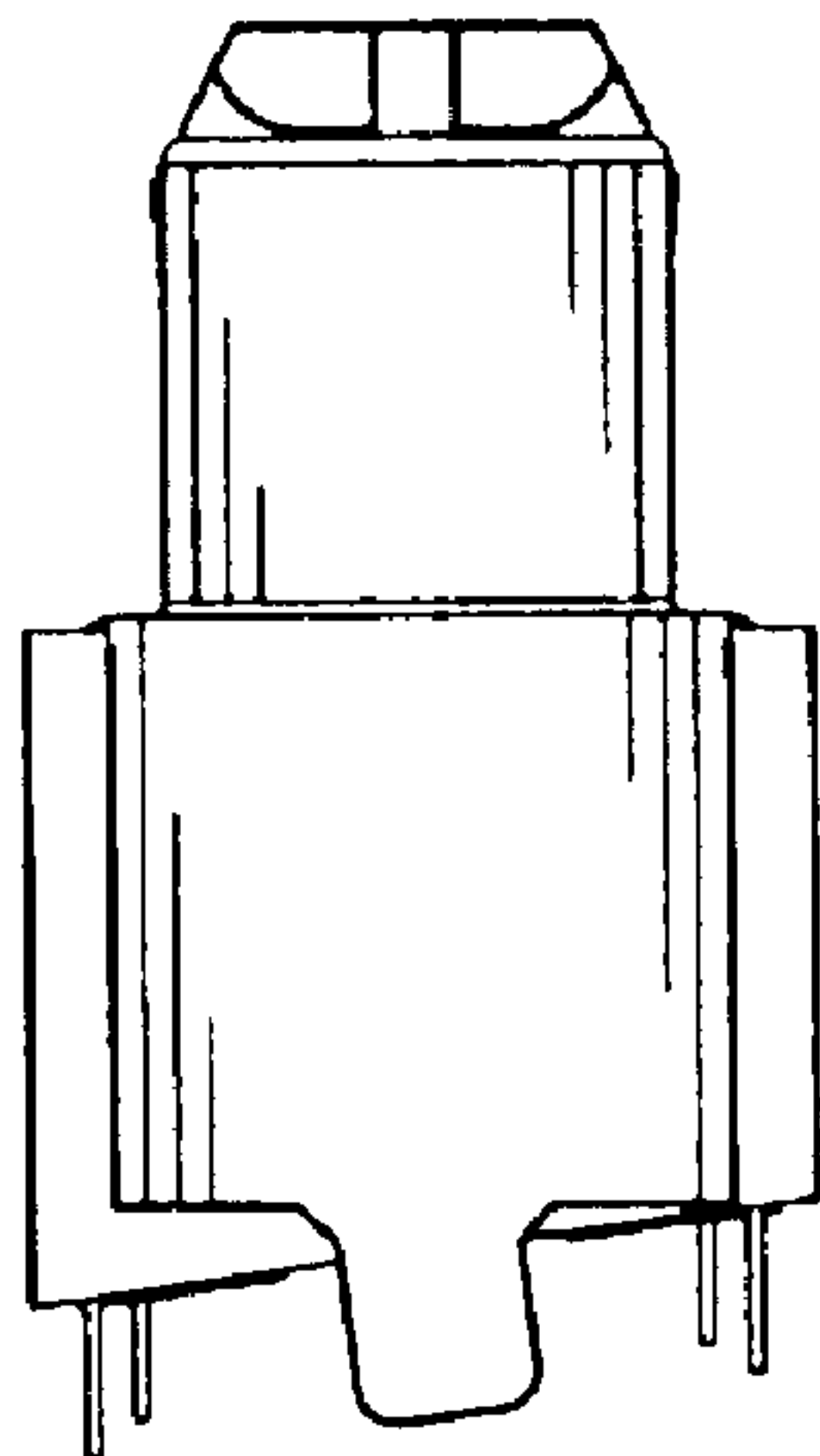


FIG. 5



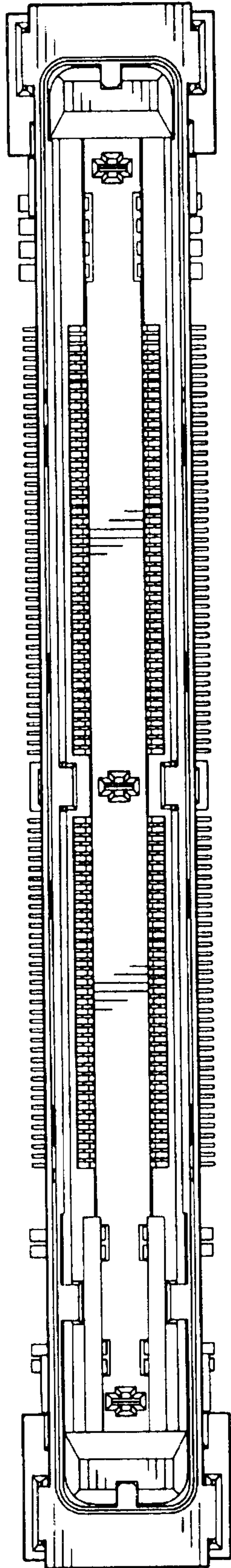


FIG. 6

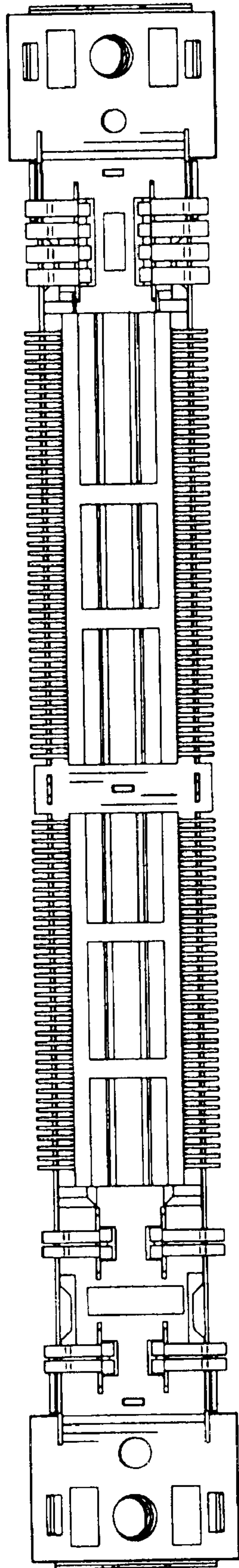


FIG. 7