



US00D517494S

(12) **United States Design Patent**
Ikenaga et al.

(10) **Patent No.:** **US D517,494 S**
(45) **Date of Patent:** **** Mar. 21, 2006**

(54) **ELECTRICAL CONNECTOR**

(75) Inventors: **Naofumi Ikenaga**, Tokyo (JP); **Takaaki Kudo**, Tokyo (JP)

(73) Assignee: **Japan Aviation Electronics Industry, Limited**, Tokyo (JP)

(**) Term: **14 Years**

(21) Appl. No.: **29/232,002**

(22) Filed: **Jun. 13, 2005**

(30) **Foreign Application Priority Data**

Dec. 15, 2004 (JP) 2004-040616

(51) **LOC (8) Cl.** **13-03**

(52) **U.S. Cl.** **D13/147**

(58) **Field of Classification Search** D13/146,
D13/147, 184, 199; 439/260, 325, 329, 492,
439/495, 607

See application file for complete search history.

(56) **References Cited**

U.S. PATENT DOCUMENTS

- 6,099,346 A * 8/2000 Hashiguchi et al. 439/495
- 6,338,648 B1 * 1/2002 Miura et al. 439/495
- 6,394,838 B1 * 5/2002 Yen 439/492
- D470,110 S * 2/2003 Yamane D13/147
- D472,219 S * 3/2003 Miura D13/147
- 6,533,606 B1 * 3/2003 Yamane 439/495
- D482,000 S * 11/2003 Saito et al. D13/147
- D482,327 S * 11/2003 Saito et al. D13/147
- 6,884,108 B1 * 4/2005 Saito et al. 439/495

2002/0115326 A1 * 8/2002 Yamane 439/260
2002/0115340 A1 * 8/2002 Yamane 439/495

* cited by examiner

Primary Examiner—Stella Reid
Assistant Examiner—Daniel Bui

(74) *Attorney, Agent, or Firm*—Collard & Roe, P.C.

(57) **CLAIM**

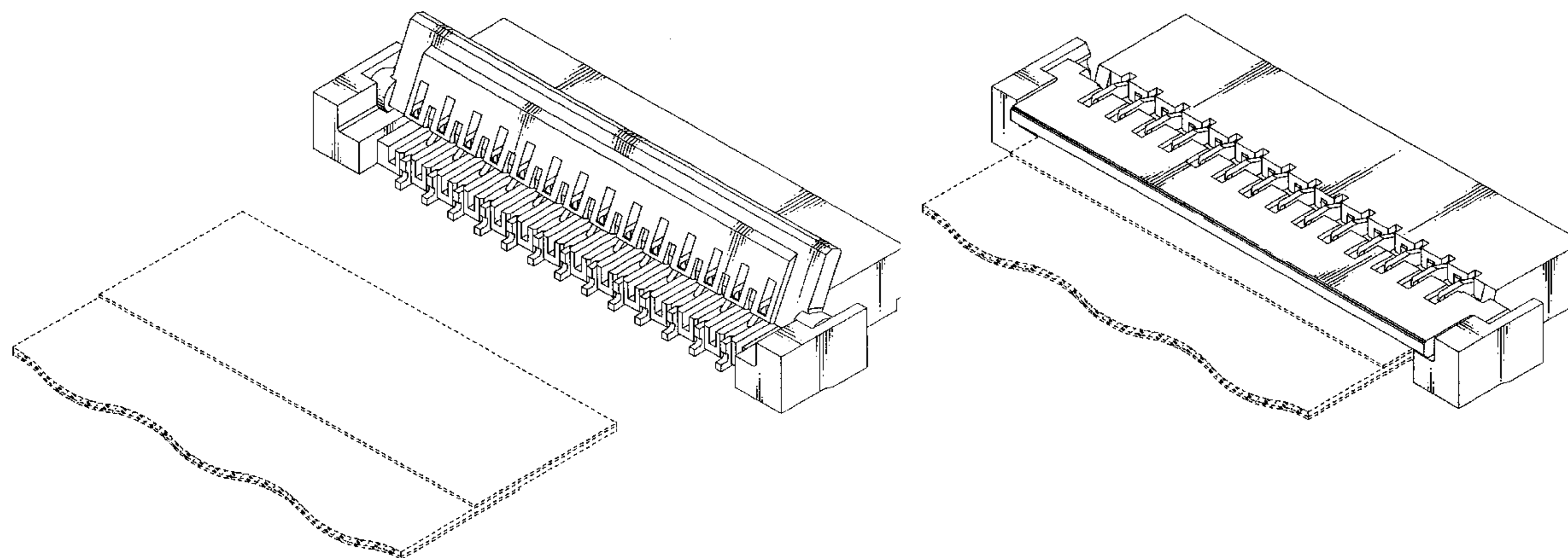
The ornamental design for an electrical connector, as shown and described.

DESCRIPTION

FIG. 1 is a front elevational view of an electrical connector; FIG. 2 is a rear elevational view thereof; FIG. 3 is a left side elevational view thereof; FIG. 4 is a right side elevational view thereof; FIG. 5 is a top plan view thereof; FIG. 6 is a bottom plan view thereof; FIG. 7 is a cross-sectional view taken along the line 7—7 in FIG. 1; FIG. 8 is a cross-sectional view taken along the line 8—8 in FIG. 1; FIG. 9 is a front, top and right side perspective view of the electrical connector, in closed condition; FIG. 10 is a front, top, and right side perspective view thereof, in an open condition; and, FIG. 11 is a front, top, and right side perspective view thereof, in use condition.

The broken line showing of the environment is for illustrative purposes only and forms no part of the claimed design.

1 Claim, 7 Drawing Sheets



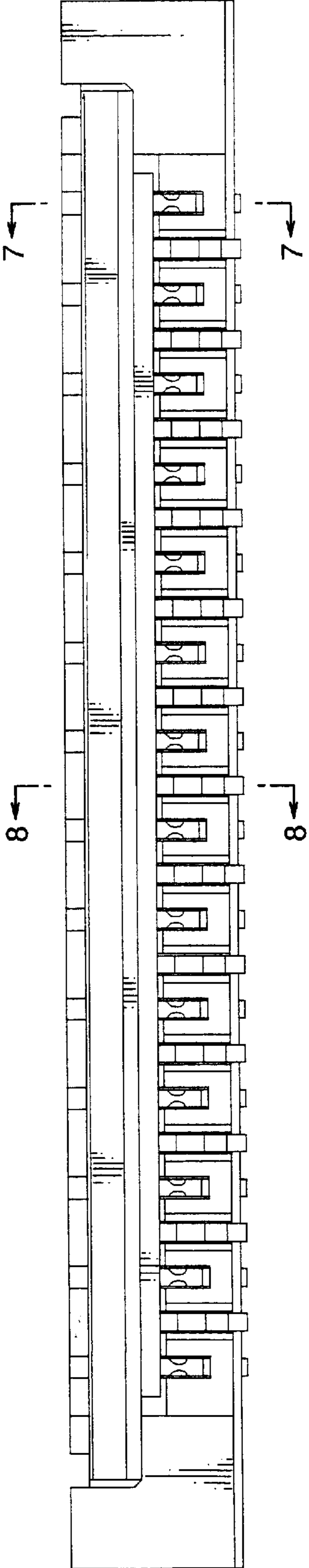


FIG. 1

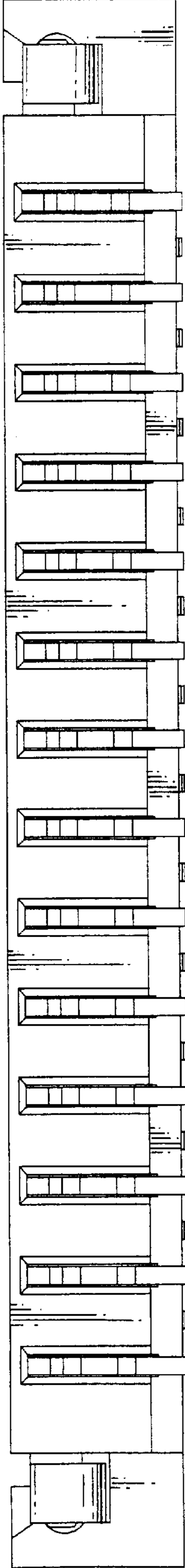


FIG. 2

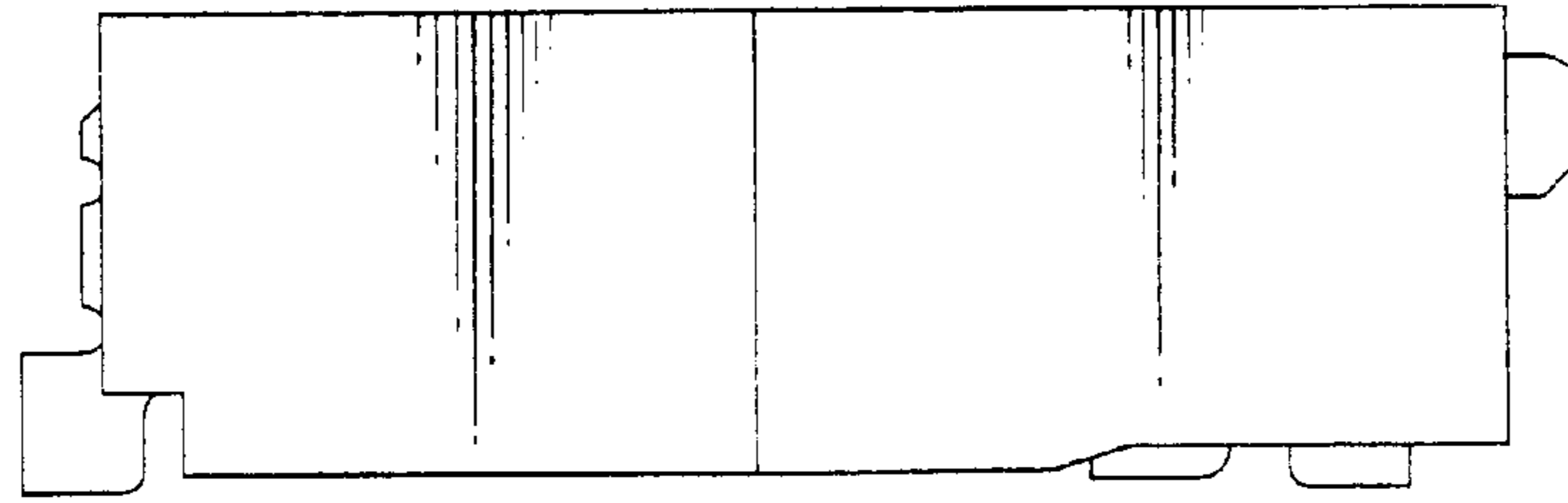


FIG. 3

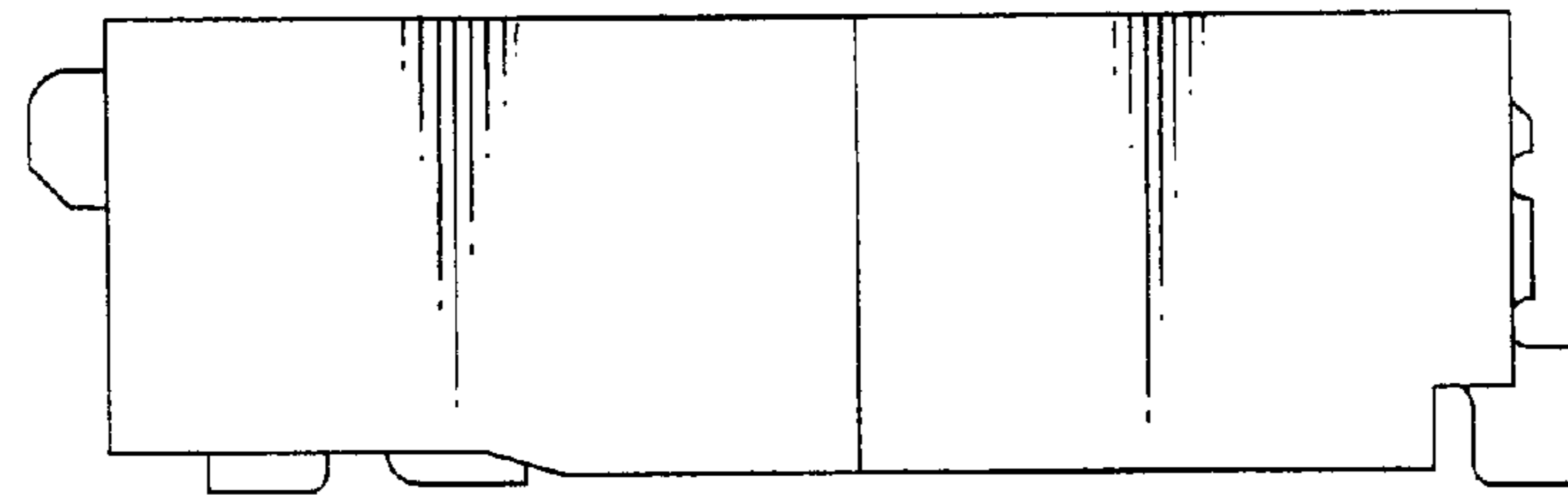


FIG. 4

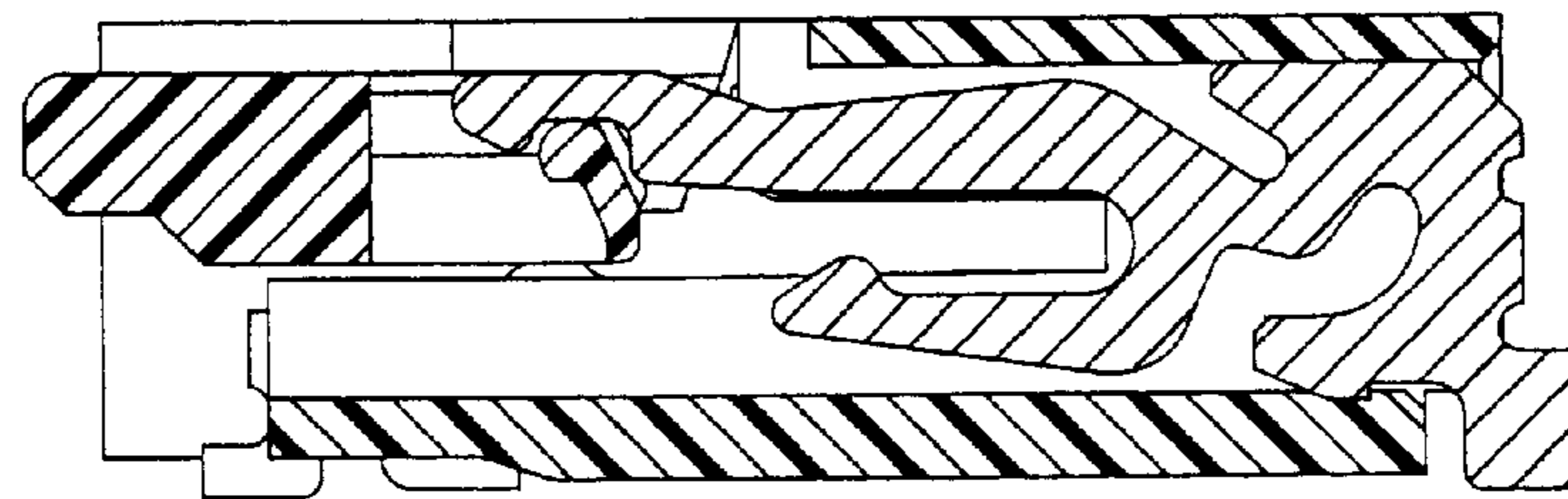


FIG. 7

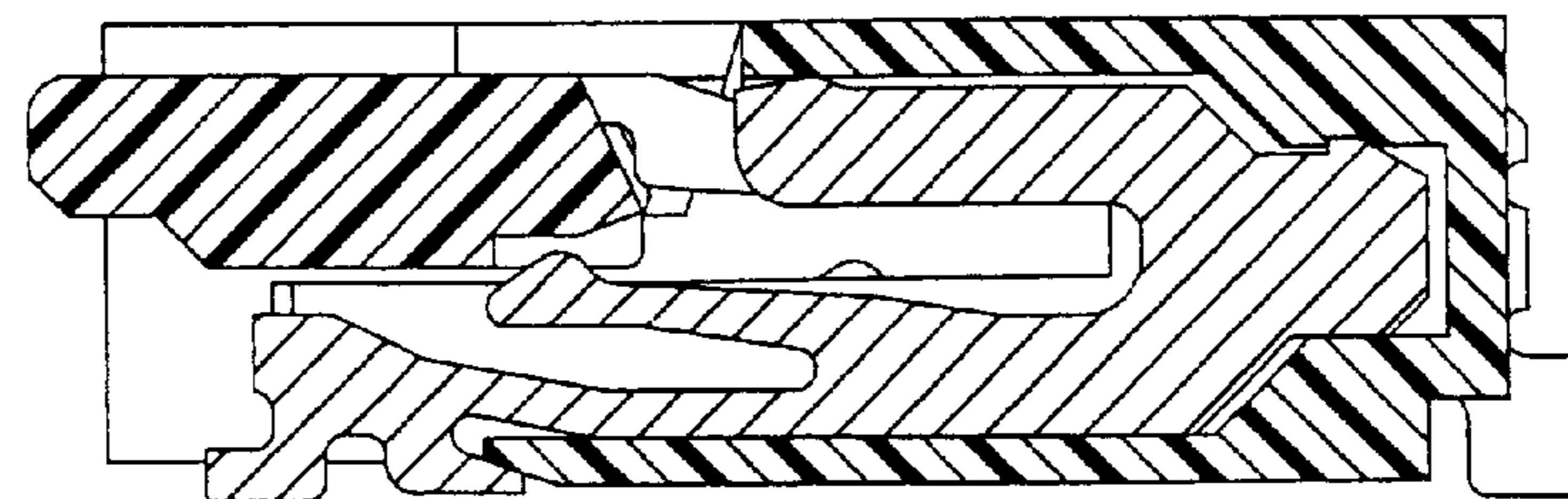


FIG. 8

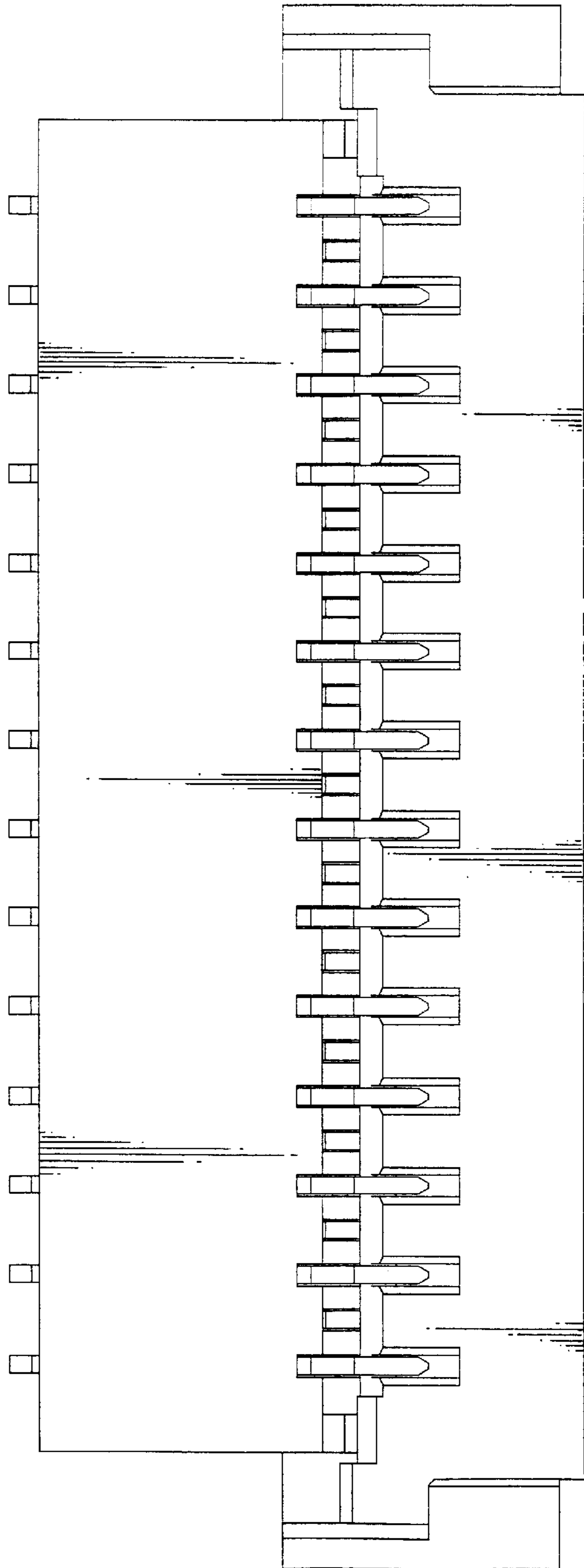


FIG. 5

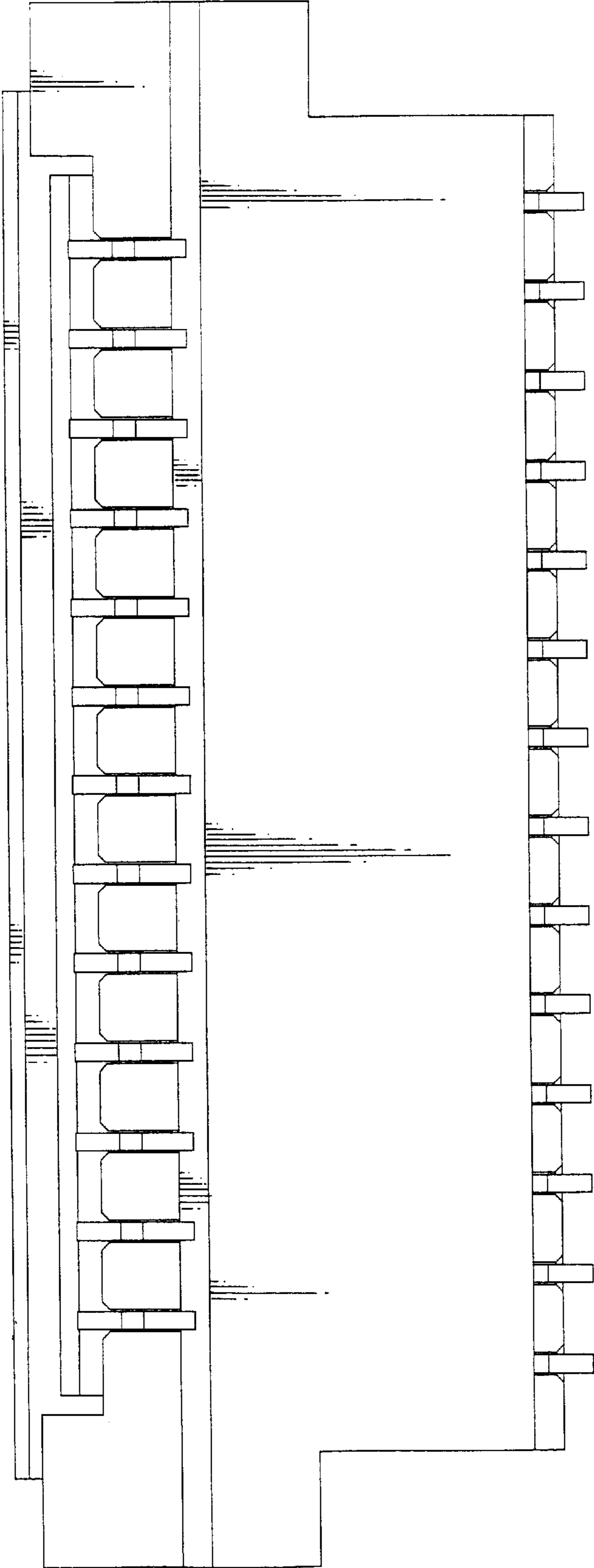


FIG. 6

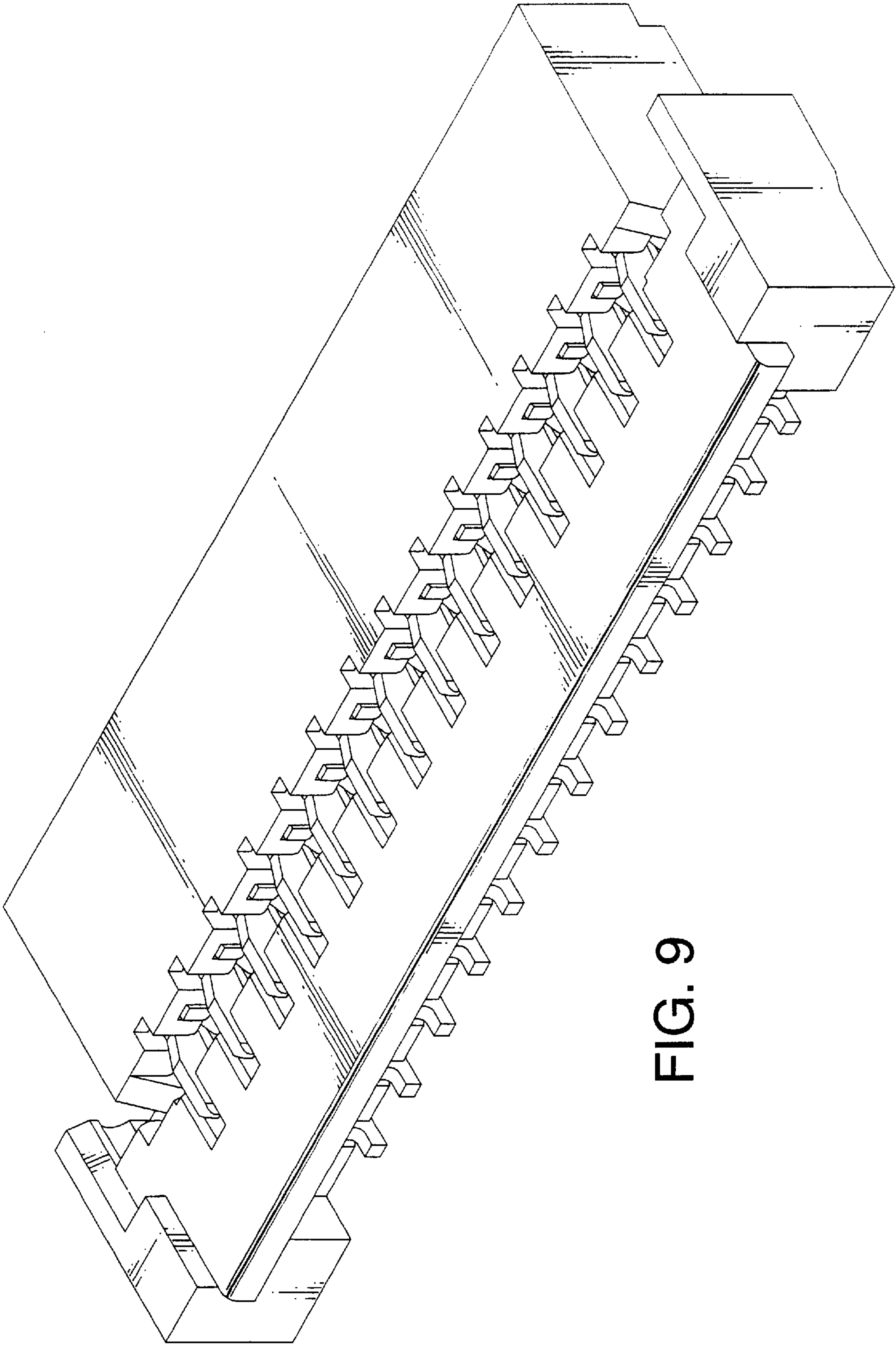


FIG. 9

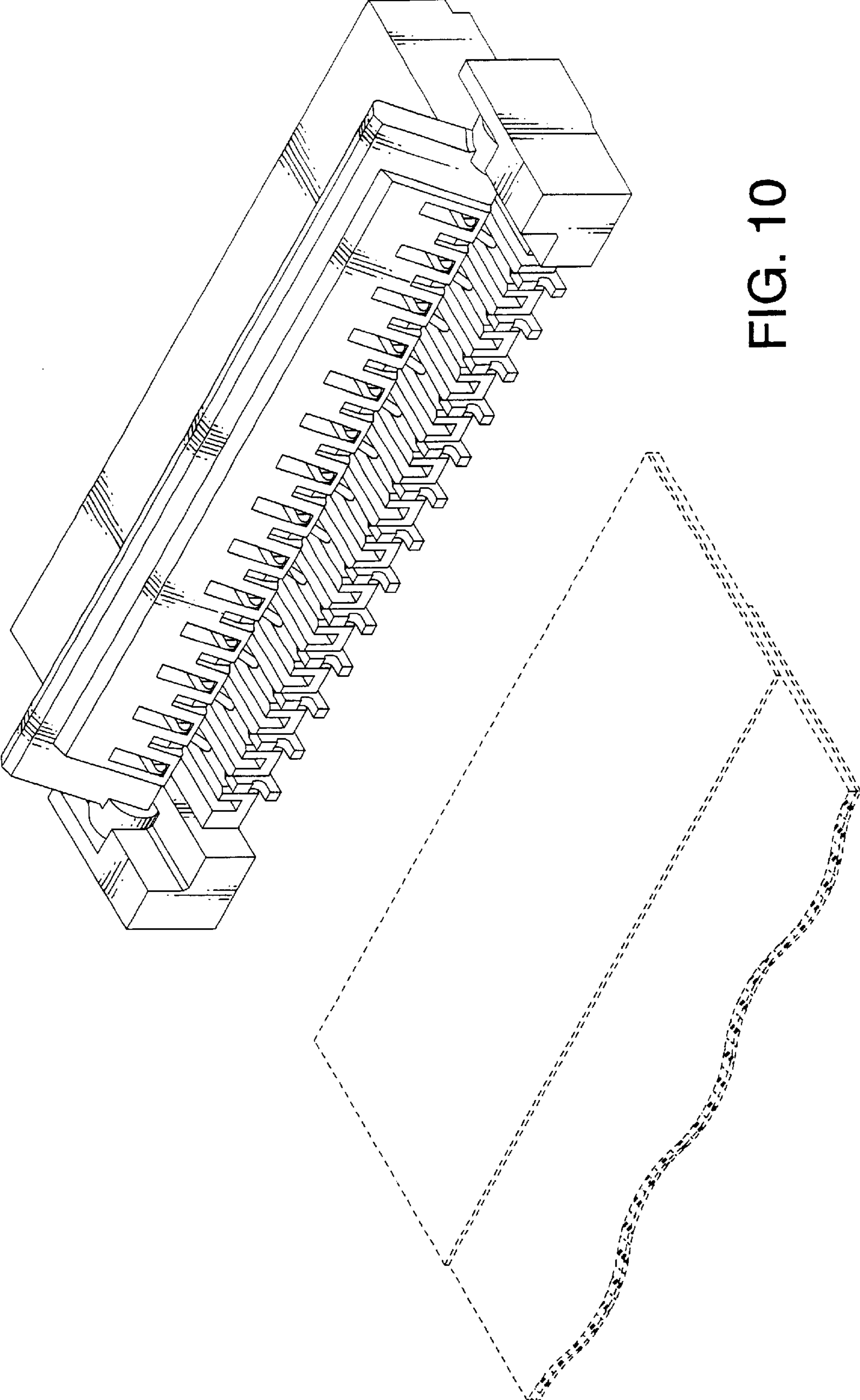


FIG. 10

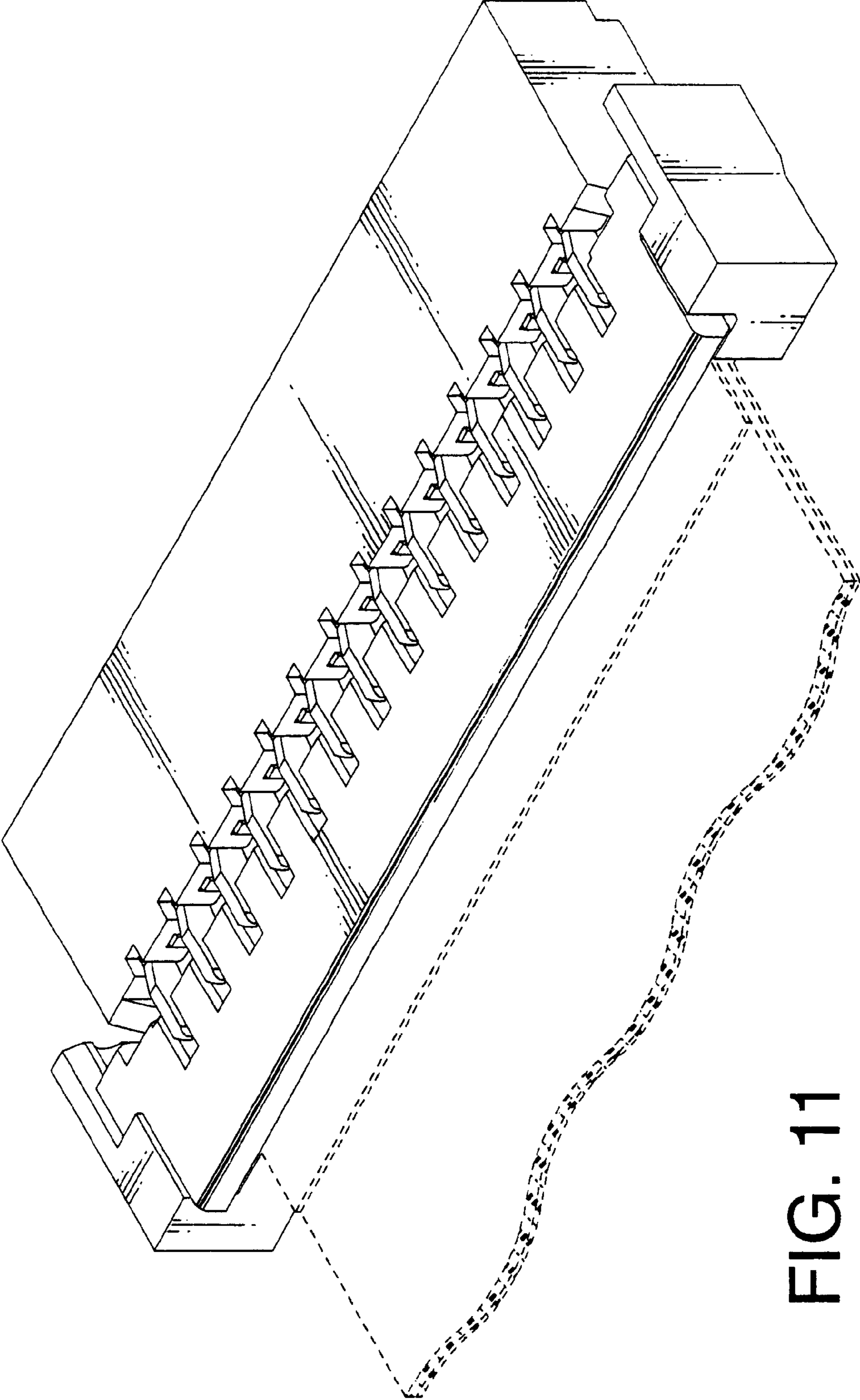


FIG. 11