



US00D517490S

(12) **United States Design Patent**  
**Kawase et al.**

(10) **Patent No.:** **US D517,490 S**  
(45) **Date of Patent:** **\*\* Mar. 21, 2006**

(54) **ELECTRICAL CONNECTOR**

(75) Inventors: **Koji Kawase, Tokyo (JP); Kazukuni Hisatomi, Tokyo (JP)**

(73) Assignee: **Japan Aviation Electronics Industry, Limited, Tokyo (JP)**

(\*\*) Term: **14 Years**

(21) Appl. No.: **29/222,165**

(22) Filed: **Jan. 26, 2005**

(30) **Foreign Application Priority Data**

Jul. 28, 2004 (JP) ..... 2004-025537

(51) **LOC (8) Cl.** ..... **13-03**

(52) **U.S. Cl.** ..... **D13/147**

(58) **Field of Classification Search** ..... D13/146,  
D13/147, 184, 199; 439/62, 260, 329, 395,  
439/422, 495, 499, 607

See application file for complete search history.

(56) **References Cited**

**U.S. PATENT DOCUMENTS**

- 5,052,936 A \* 10/1991 Biechler et al. .... 439/60
- 6,093,046 A \* 7/2000 Chiou et al. .... 439/378
- 6,267,623 B1 \* 7/2001 Hisamatsu ..... 439/607
- D466,080 S \* 11/2002 Ko ..... D13/147
- D468,268 S \* 1/2003 Zhong ..... D13/147

- 6,540,556 B1 \* 4/2003 Fu ..... 439/607
- D490,377 S \* 5/2004 Sato ..... D13/147
- D496,334 S \* 9/2004 Ko ..... D13/147
- D497,594 S \* 10/2004 Hisamatsu et al. .... D13/147

\* cited by examiner

*Primary Examiner*—Stella Reid

*Assistant Examiner*—Daniel Bui

(74) *Attorney, Agent, or Firm*—Collard & Roe, P.C.

(57) **CLAIM**

The ornamental design for an electrical connector, as shown and described.

**DESCRIPTION**

FIG. 1 is a front elevational view of an electrical connector, showing our new design;

FIG. 2 is a top plan view thereof;

FIG. 3 is a bottom plan view thereof;

FIG. 4 is a right side elevation view thereof, the left side elevation view is a mirror image thereto;

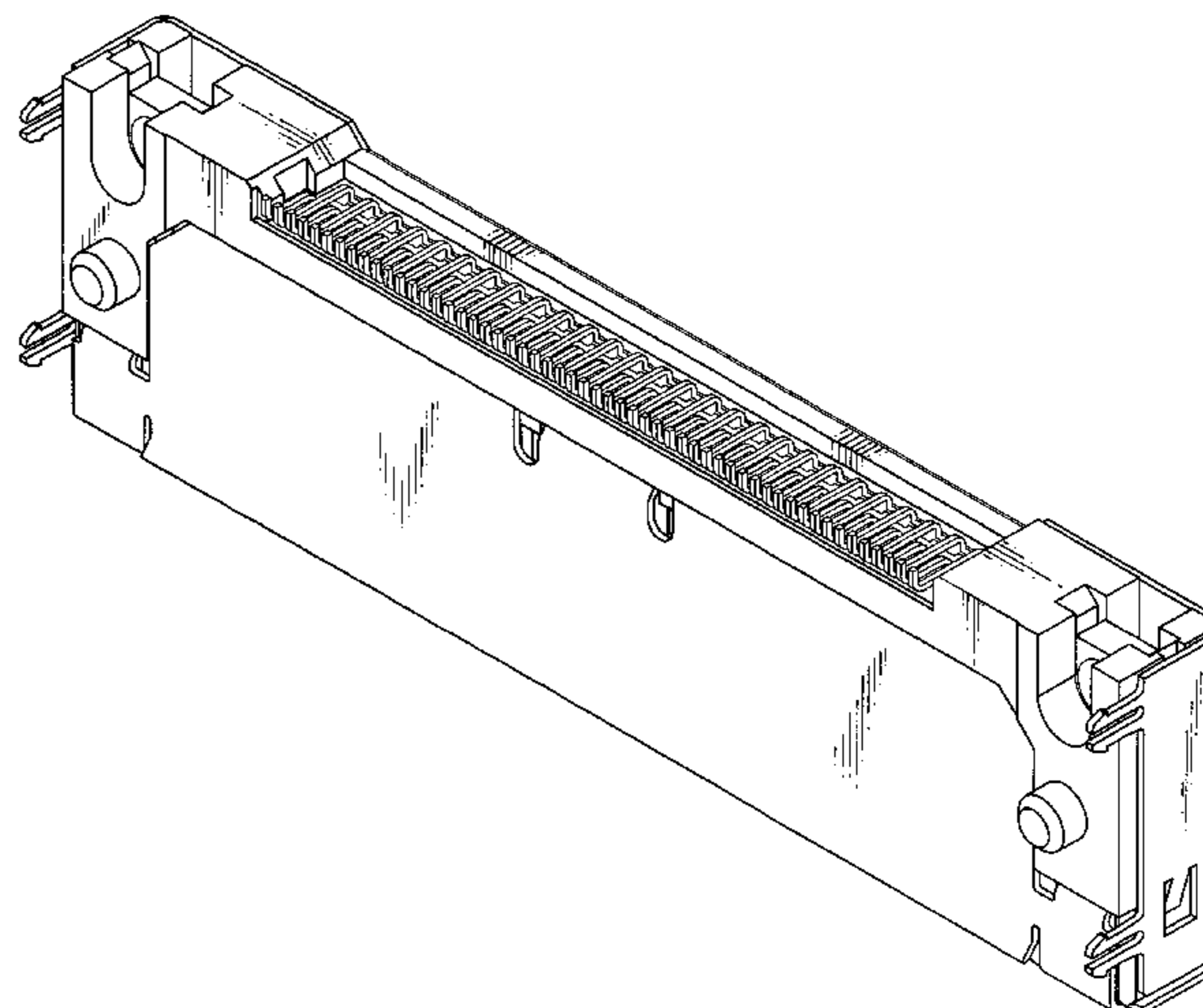
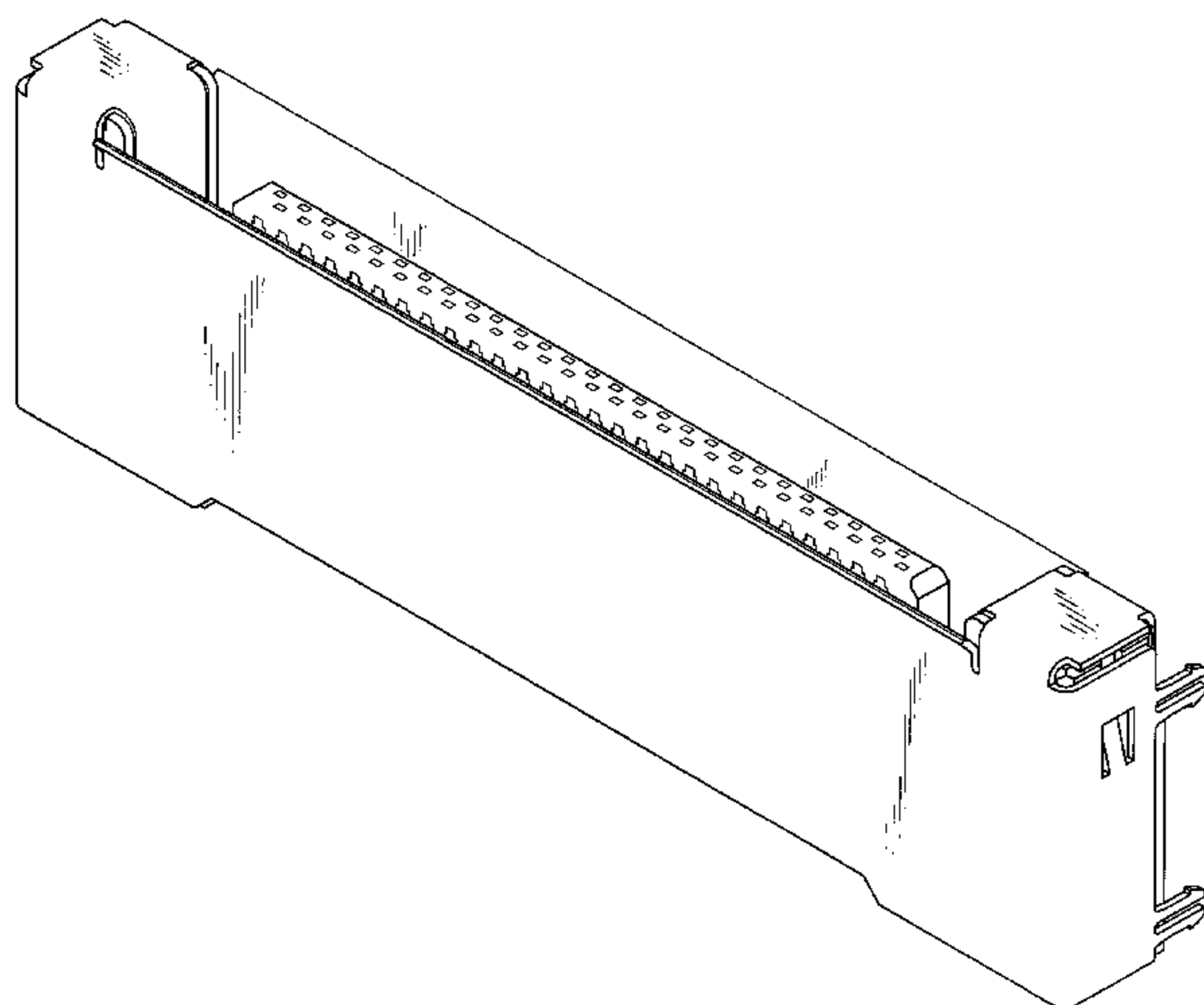
FIG. 5 is a rear elevational view thereof;

FIG. 6 is a cross-sectional view thereof along the line 6—6 in FIG. 1;

FIG. 7 is a front, top, and right side perspective view thereof; and,

FIG. 8 is a rear, bottom, and right side perspective view thereof.

**1 Claim, 6 Drawing Sheets**



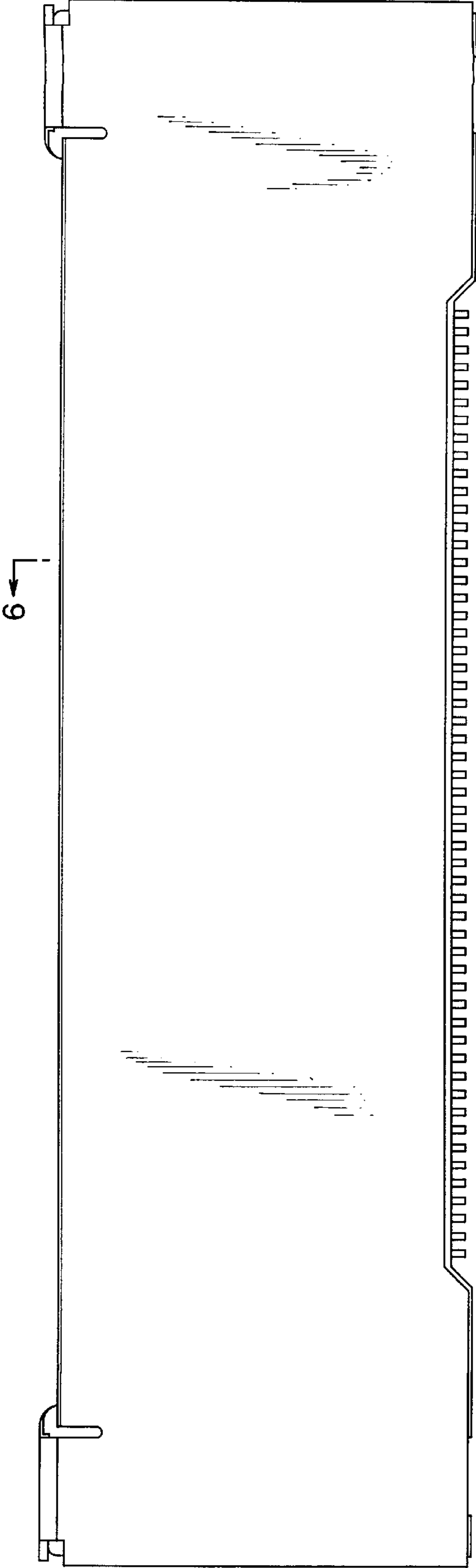


FIG. 1

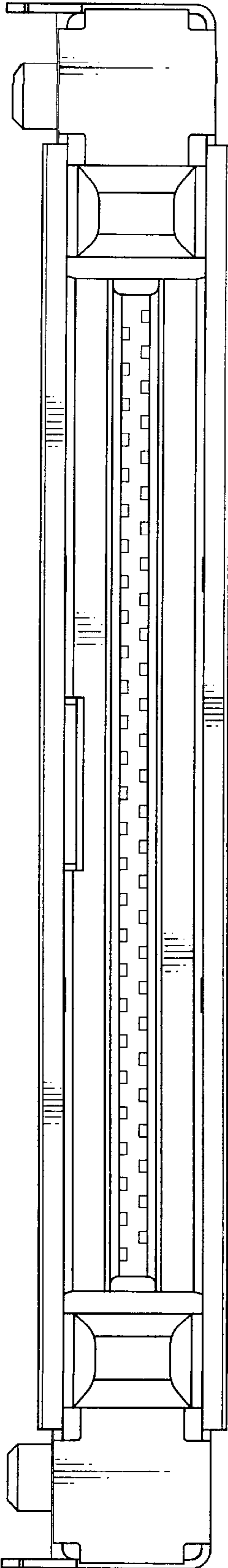


FIG. 2

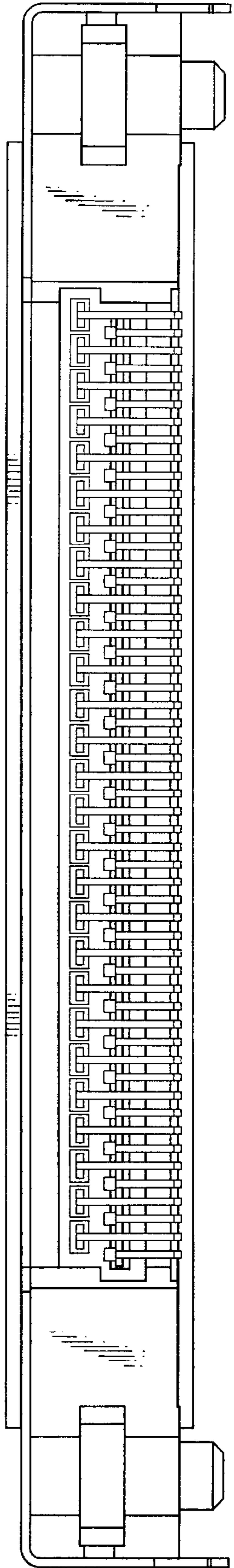


FIG. 3

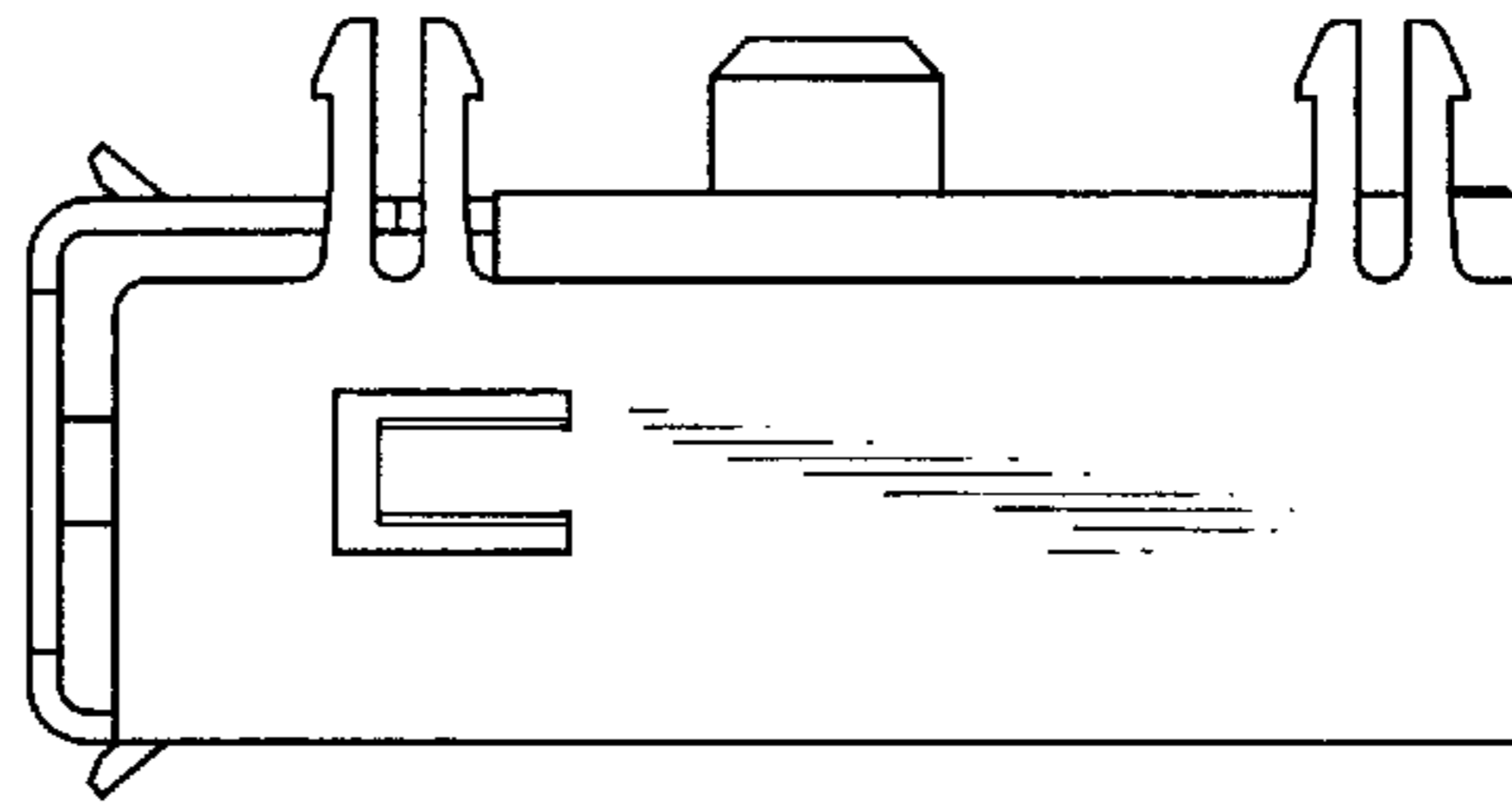


FIG. 4

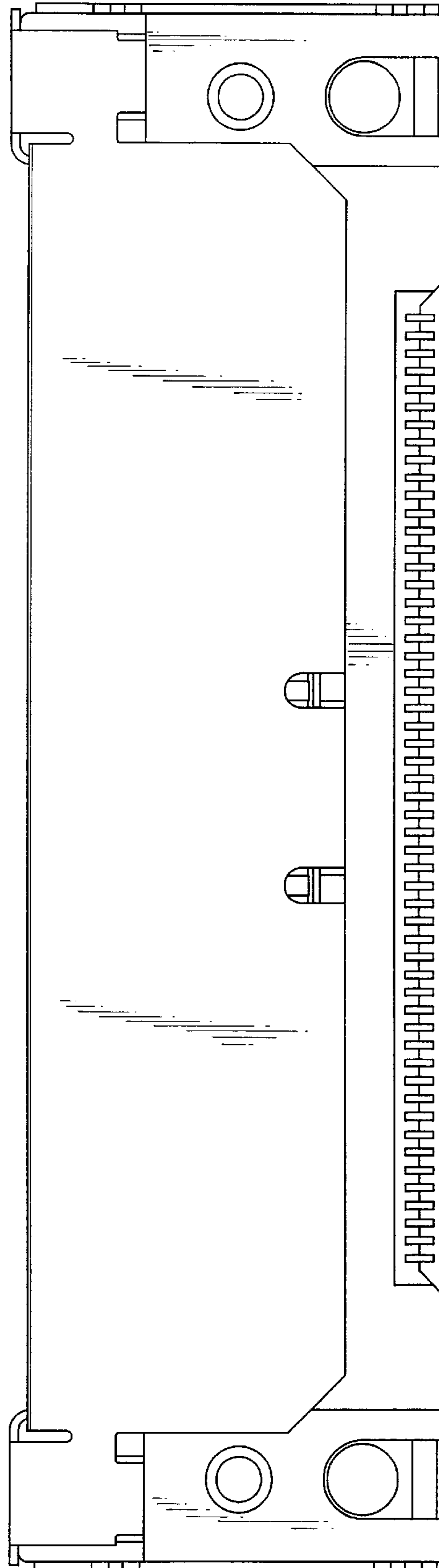


FIG. 5

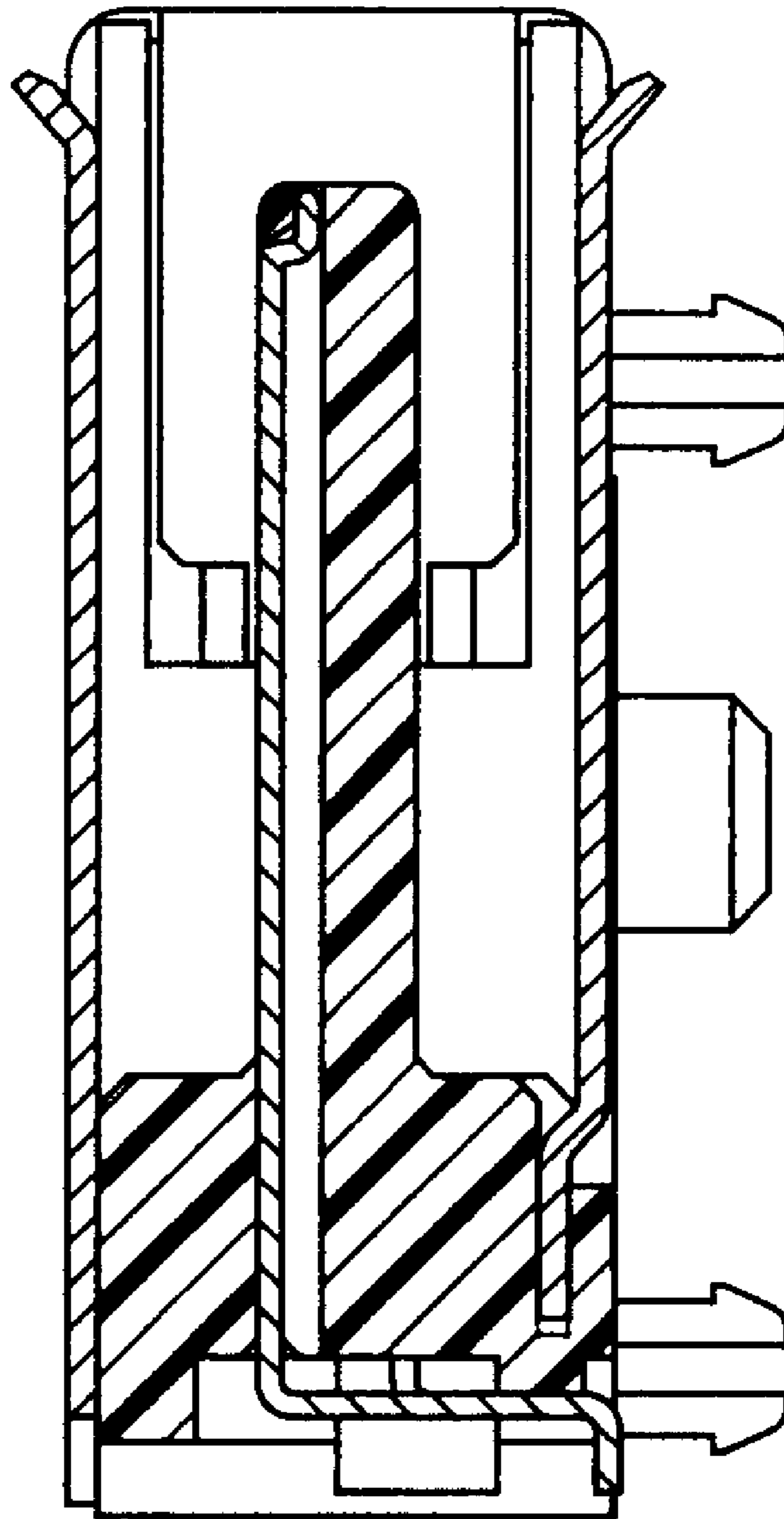


FIG. 6

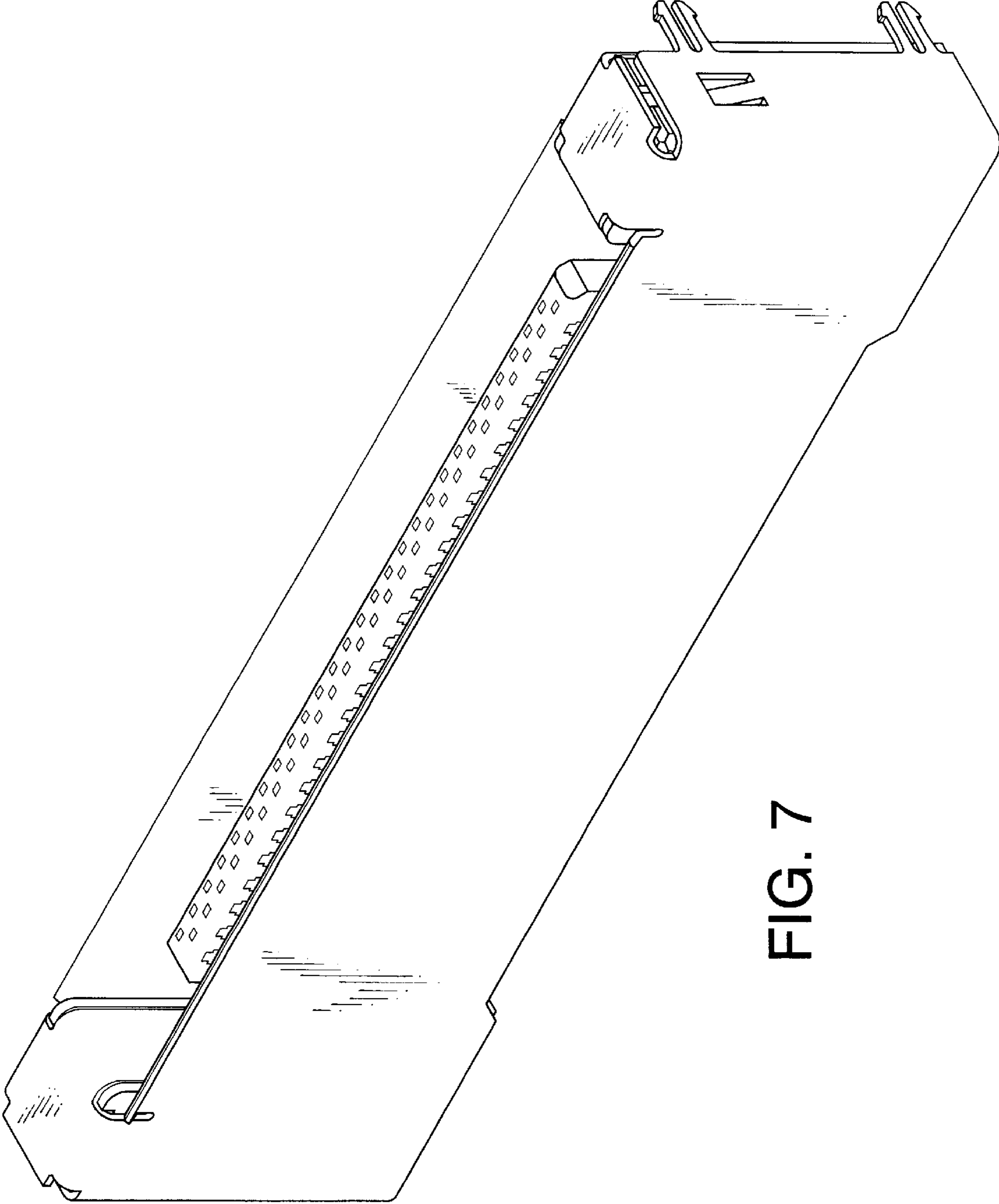


FIG. 7



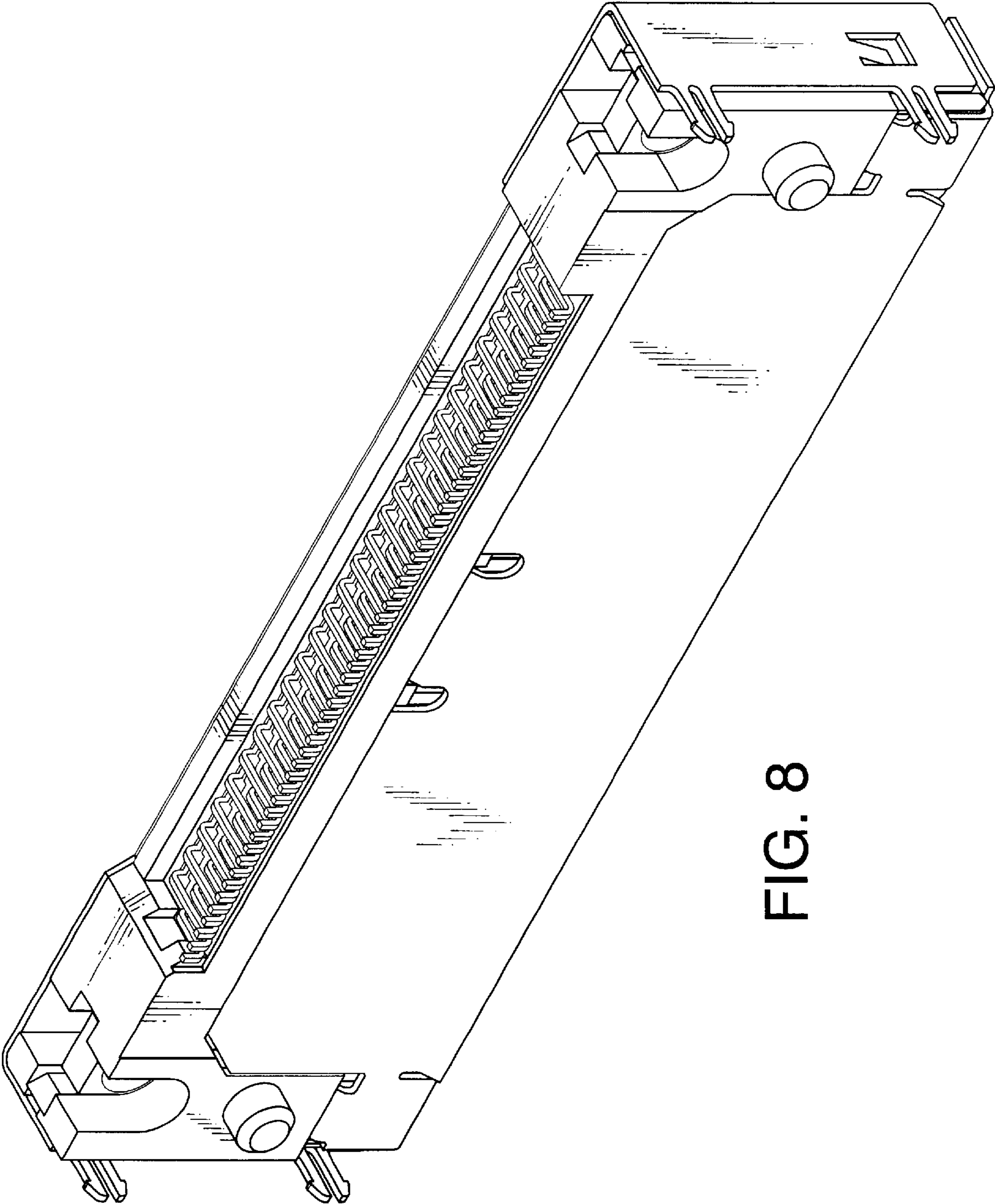


FIG. 8