



US00D517487S

(12) **United States Design Patent**  
**Riku**

(10) **Patent No.:** **US D517,487 S**

(45) **Date of Patent:** **\*\* \*Mar. 21, 2006**

(54) **ELECTRICAL CONNECTOR**

(75) Inventor: **Kazuya Riku**, Tokyo (JP)

(73) Assignee: **Tyco Electronics AMP K.K.**,  
Kanagawa-ken (JP)

(\*) Notice: This patent is subject to a terminal disclaimer.

(\*\*) Term: **14 Years**

(21) Appl. No.: **29/219,301**

(22) Filed: **Dec. 14, 2004**

(30) **Foreign Application Priority Data**

Jun. 15, 2004 (JP) ..... 2004-017854

(51) **LOC (8) Cl.** ..... **13-03**

(52) **U.S. Cl.** ..... **D13/147**

(58) **Field of Classification Search** ..... D13/133,  
D13/184, 154, 199, 146-147; 439/79, 101,  
439/108, 344, 350, 352, 447, 557, 571, 573,  
439/540.1, 541.5, 607-608, 825  
See application file for complete search history.

(56) **References Cited**

**U.S. PATENT DOCUMENTS**

5,139,426 A \* 8/1992 Barkus et al. .... 439/65  
5,403,206 A \* 4/1995 McNamara et al. .... 439/608  
5,582,519 A \* 12/1996 Buchter ..... 439/101

5,667,392 A \* 9/1997 Kocher et al. .... 439/79  
D449,821 S \* 10/2001 Shimojyo ..... D13/147  
6,319,075 B1 11/2001 Clark et al.  
D453,735 S \* 2/2002 Yoneyama et al. .... D13/147  
D462,057 S \* 8/2002 Okamoto ..... D13/147  
6,431,886 B1 \* 8/2002 Ramey et al. .... 439/101  
2002/0034891 A1 \* 3/2002 Laurel et al. .... 439/488  
2003/0087556 A1 \* 5/2003 Korsunsky et al. .... 439/626

\* cited by examiner

*Primary Examiner*—Stella Reid

*Assistant Examiner*—Daniel Bui

(74) *Attorney, Agent, or Firm*—Barley Snyder LLC

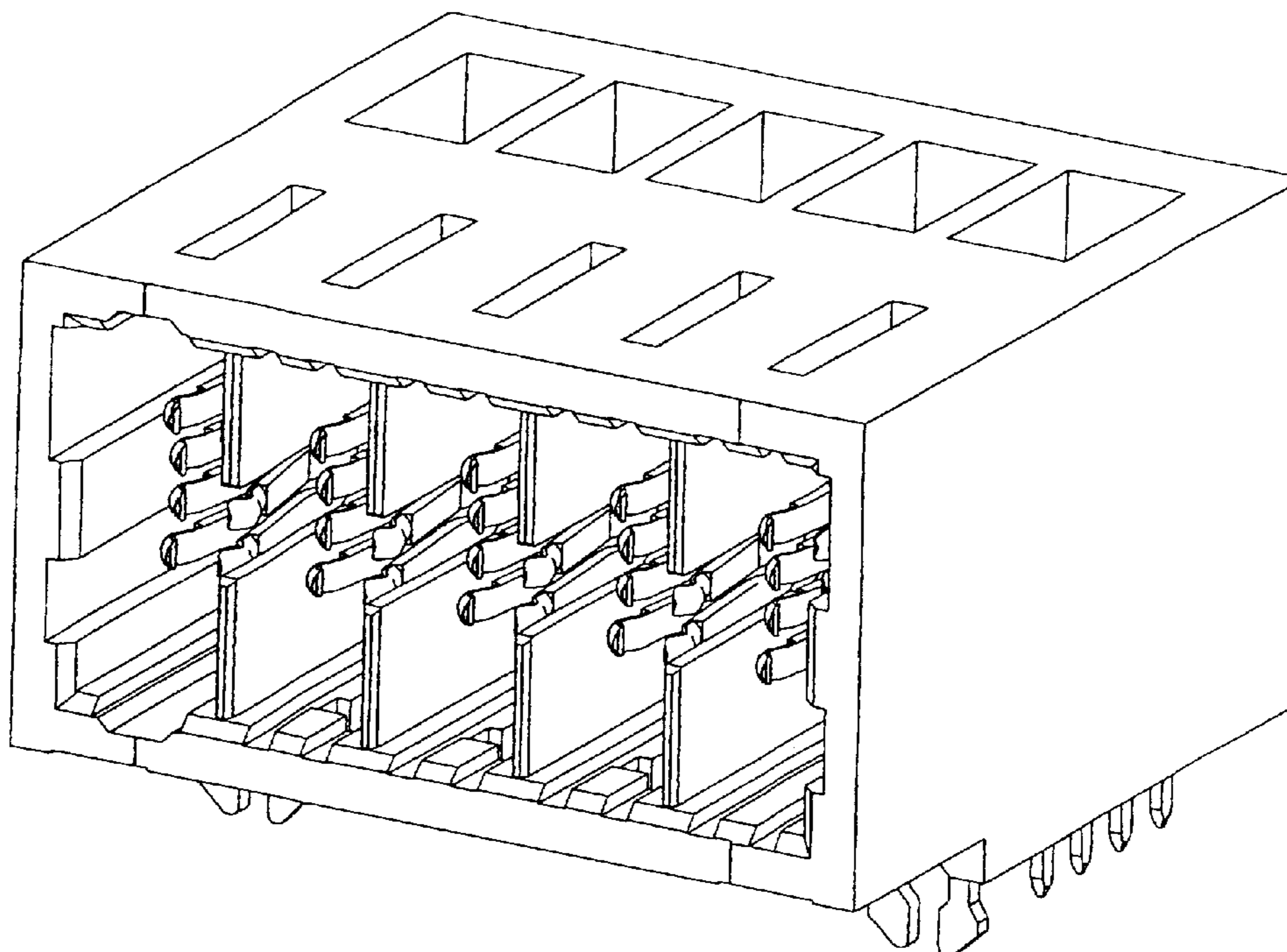
(57) **CLAIM**

The ornamental design for an electrical connector, as shown and described.

**DESCRIPTION**

FIG. 1 is a front elevation view of an electrical connector, showing my new design;  
FIG. 2 is a top plan view thereof;  
FIG. 3 is a bottom plan view thereof;  
FIG. 4 is a right side elevation view thereof;  
FIG. 5 is a left side elevation view thereof;  
FIG. 6 is a rear elevation view thereof;  
FIG. 7 is a cross sectional view thereof; taken along the line 7-7 in FIG. 1; and,  
FIG. 8 is a top, front and right side perspective view thereof.

**1 Claim, 8 Drawing Sheets**



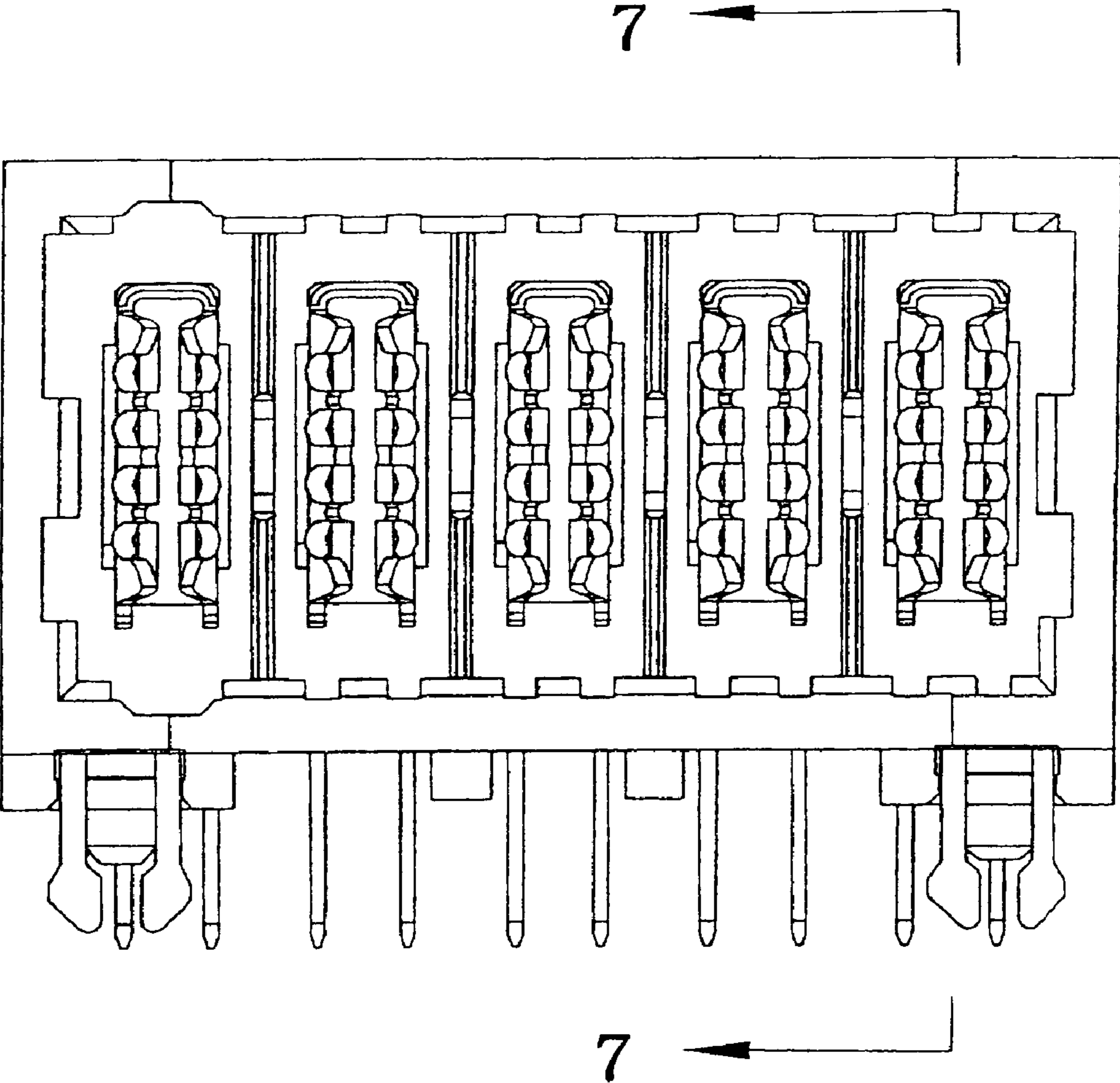


FIG. 1

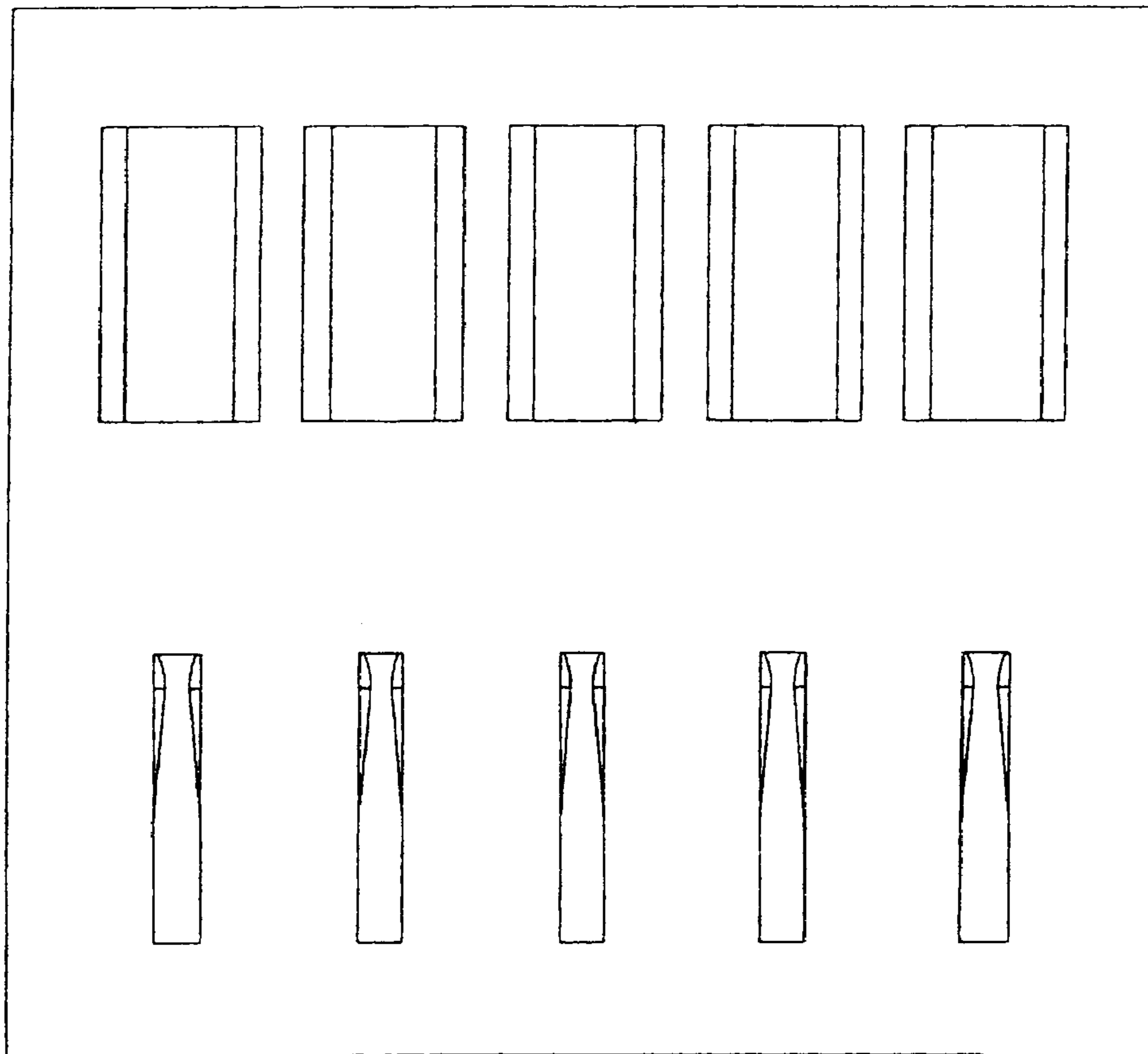


FIG. 2

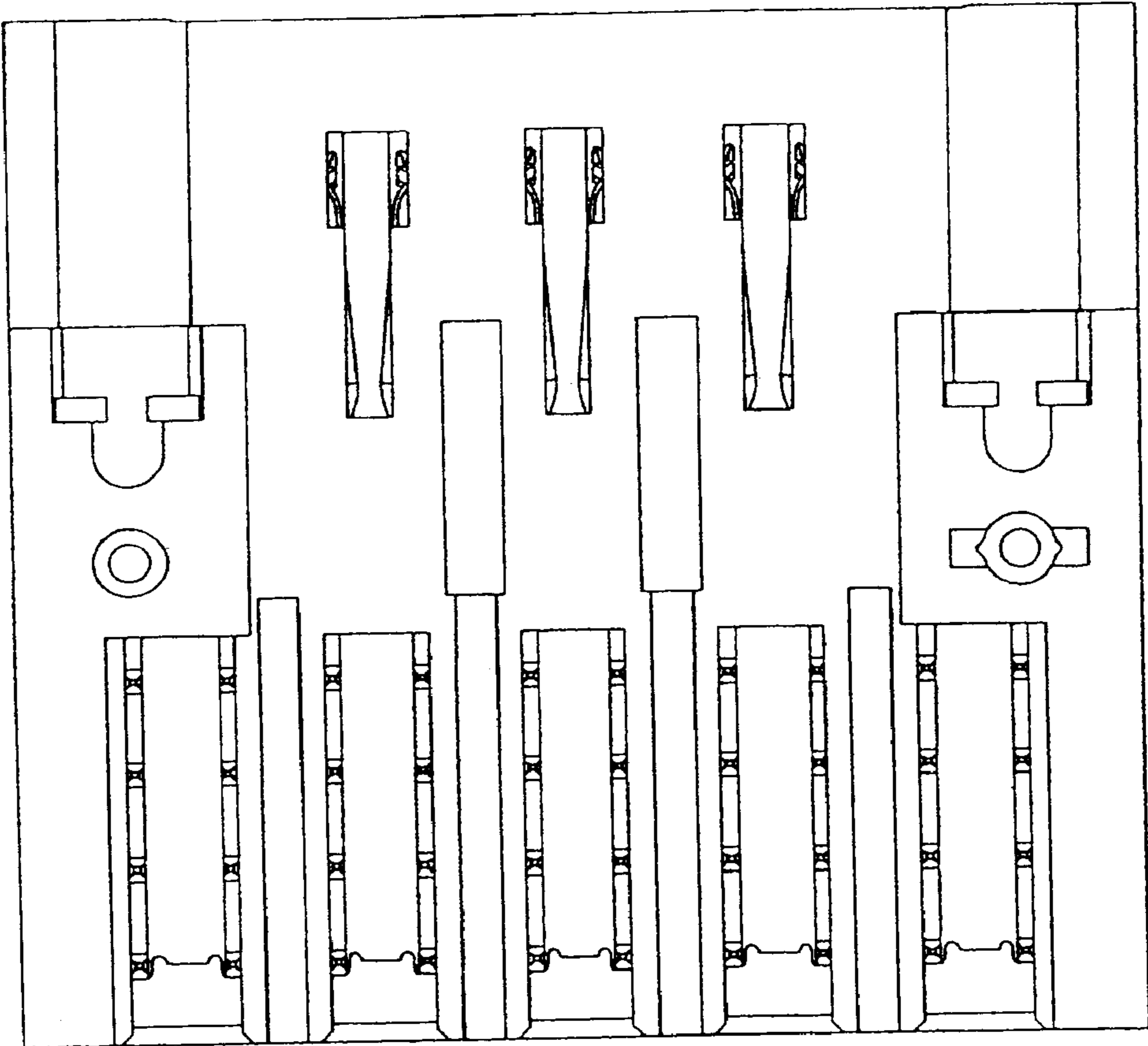


FIG. 3

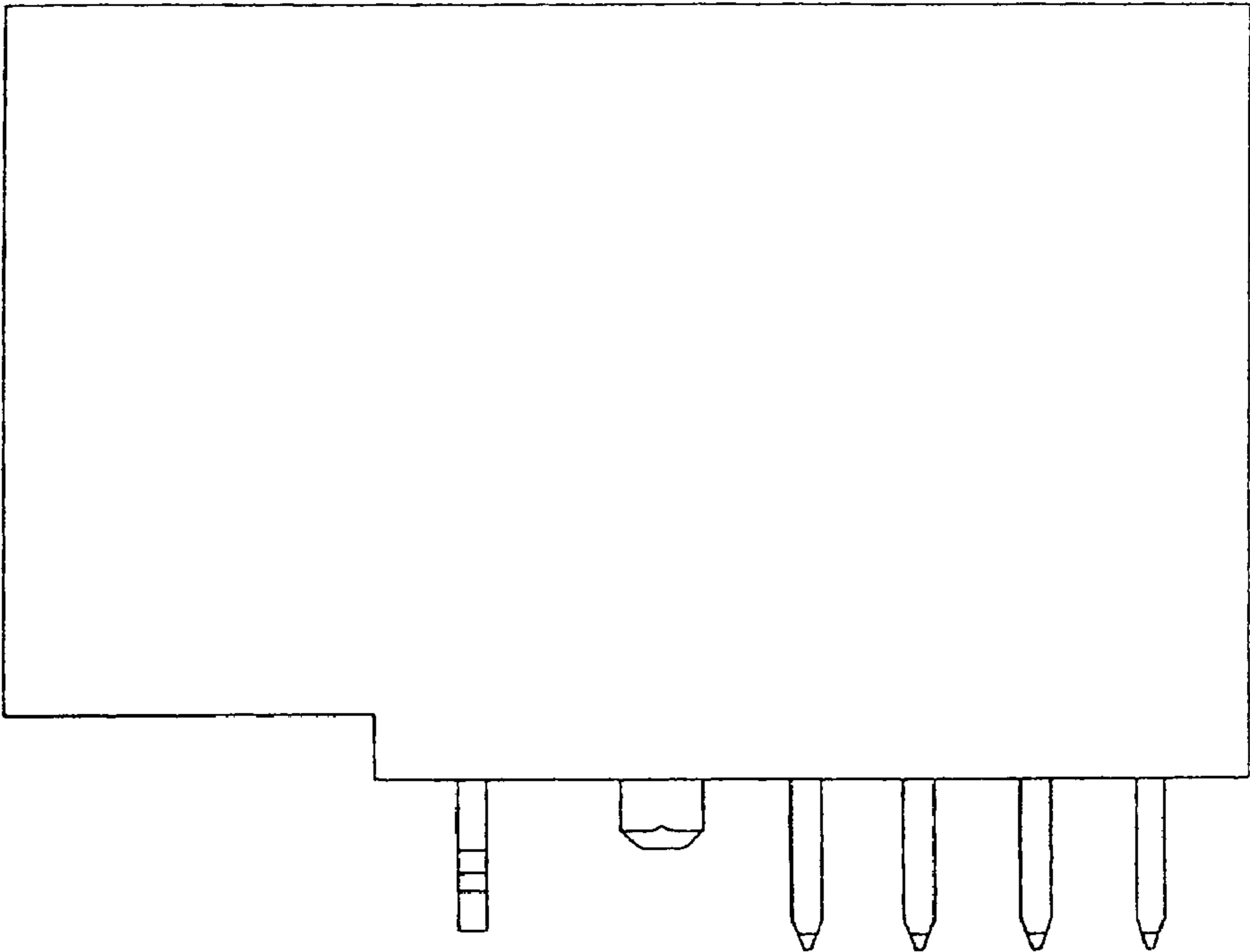


FIG. 4

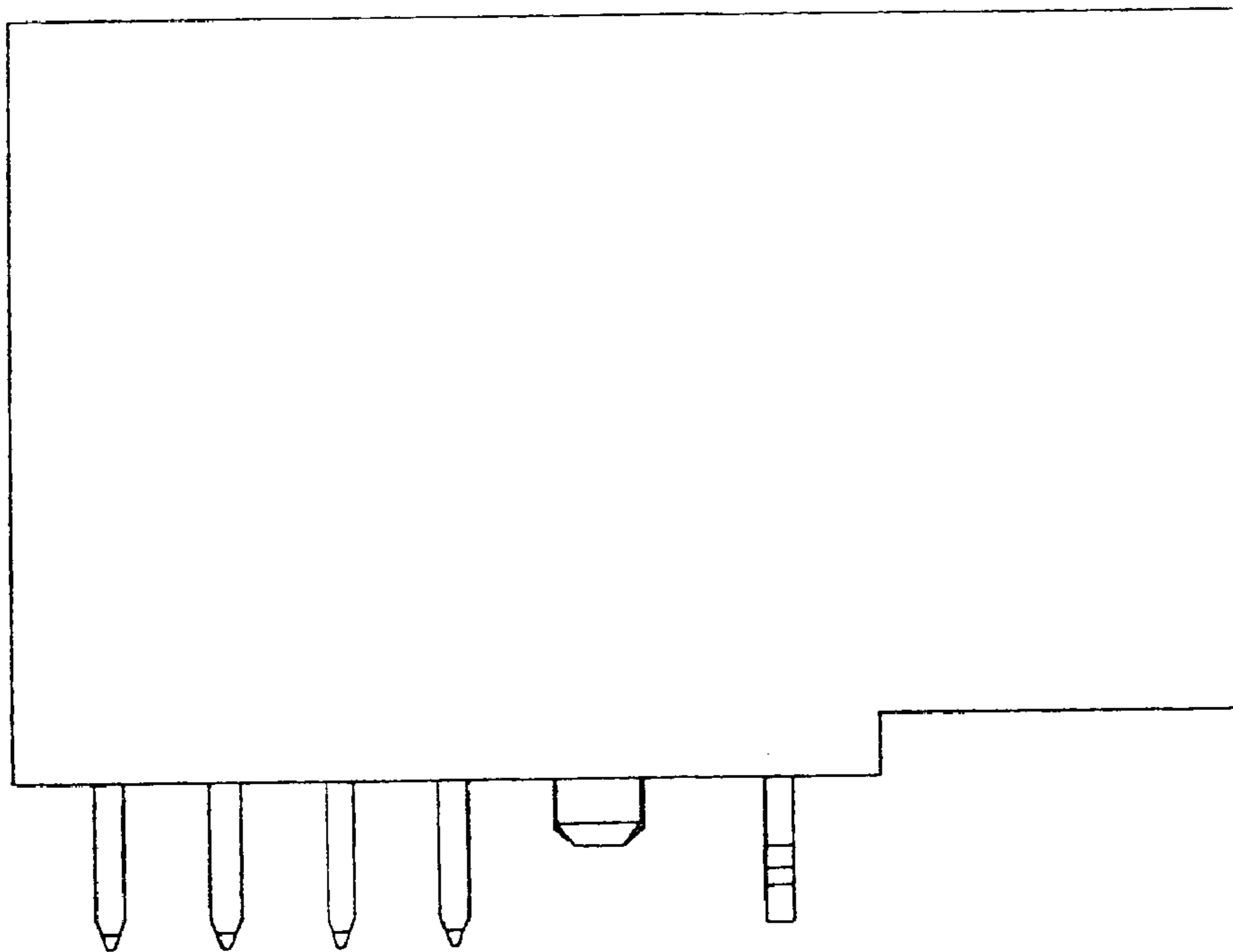


FIG. 5

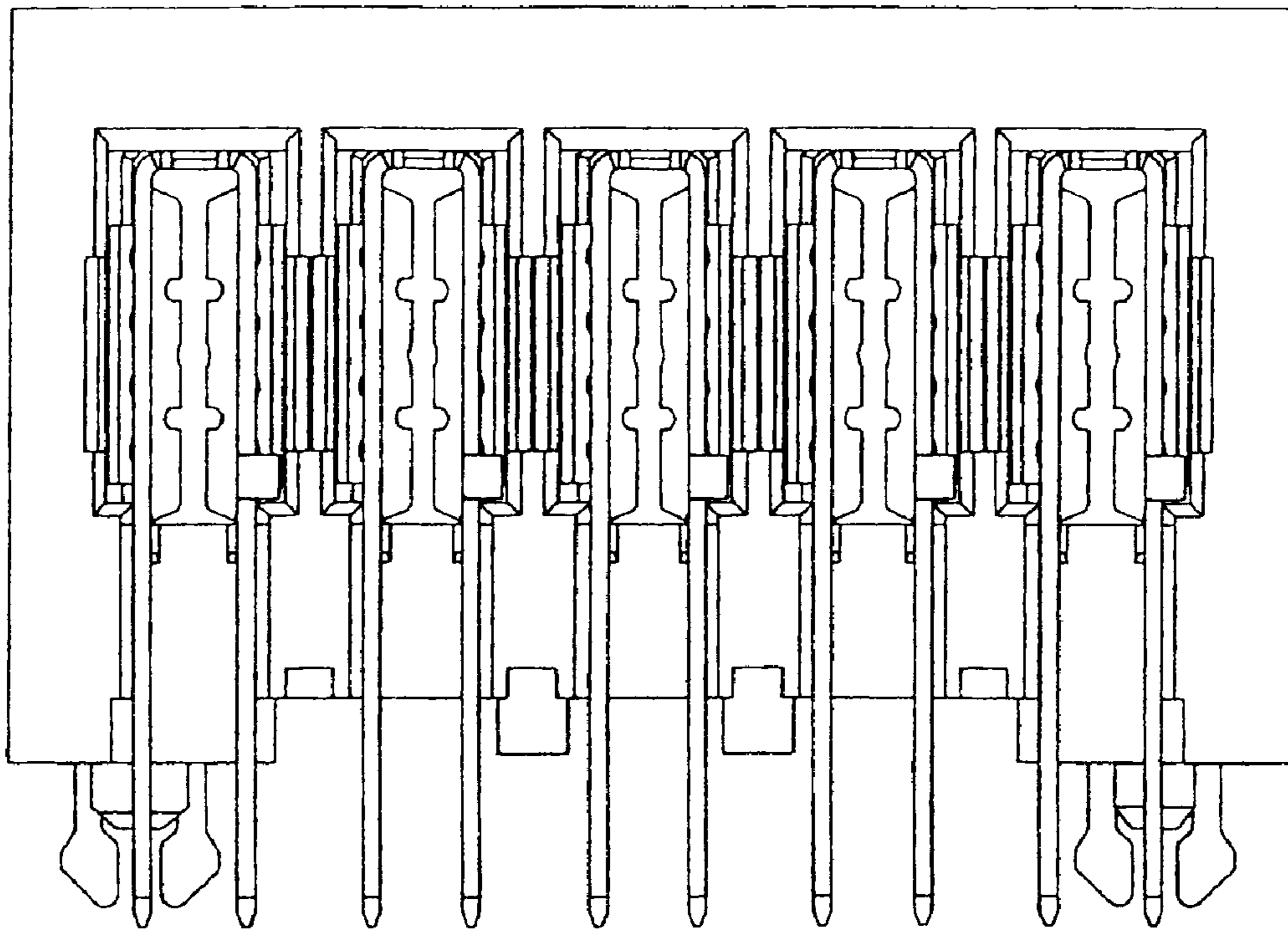


FIG. 6

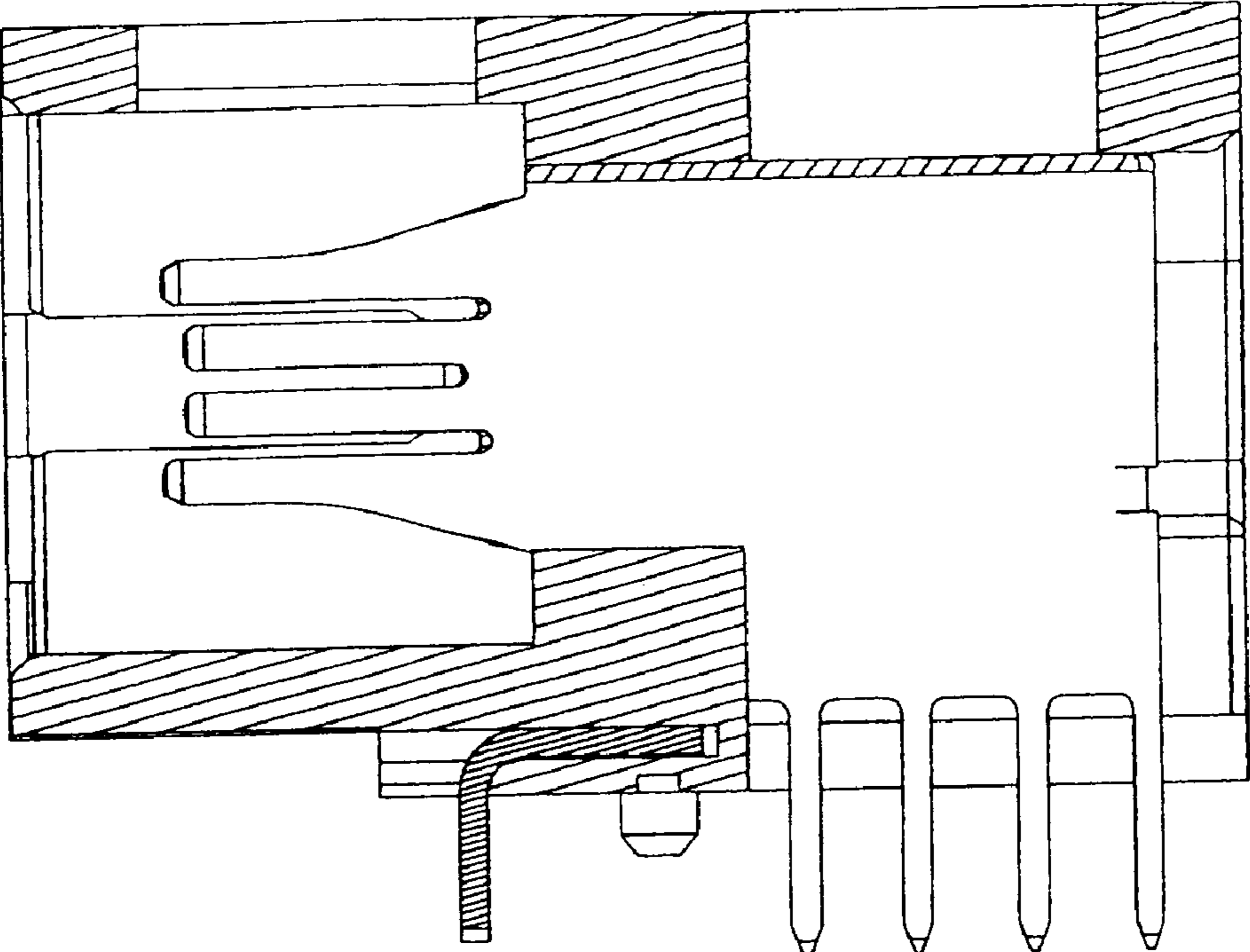


FIG. 7



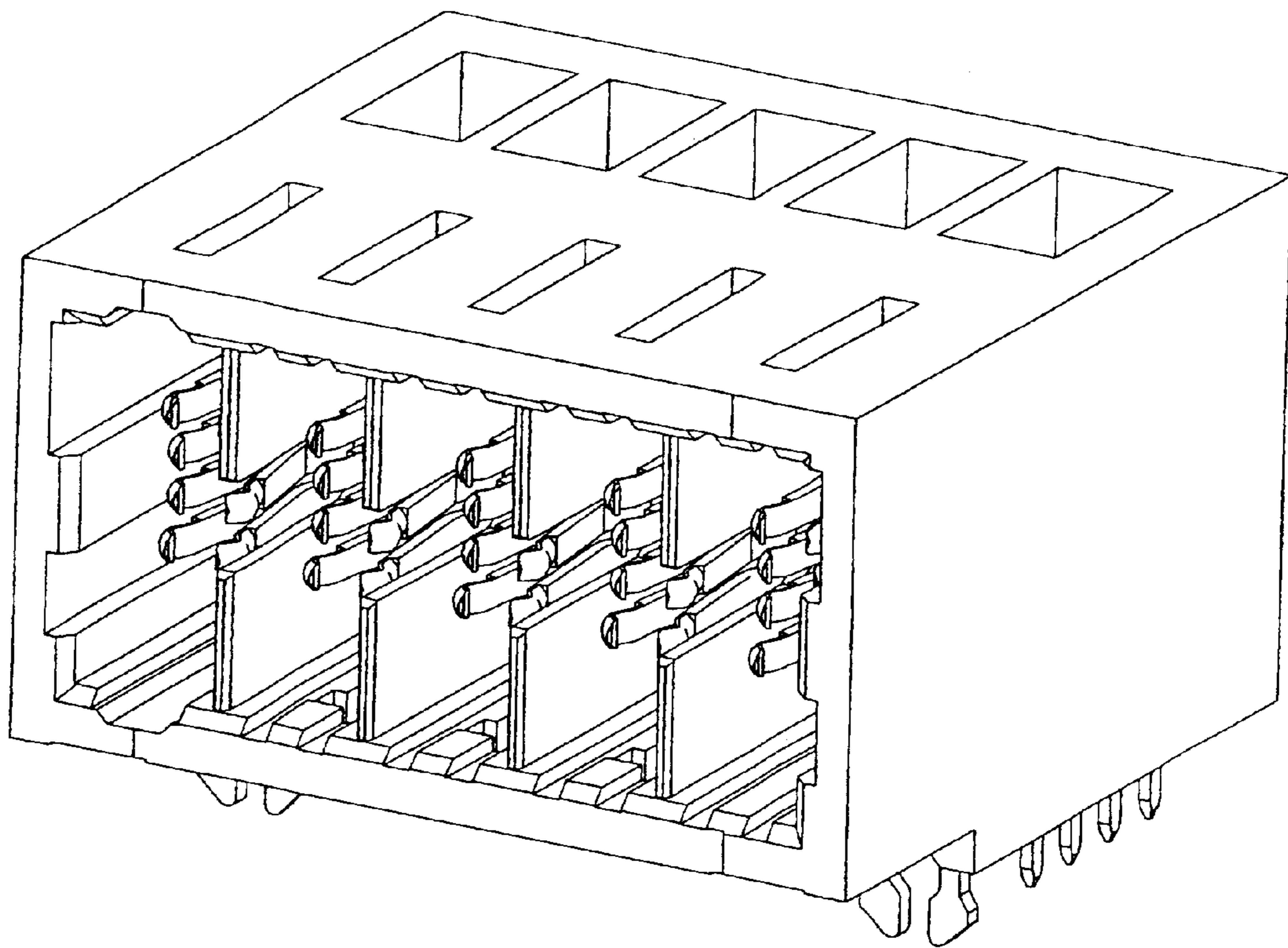


FIG. 8