



US00D517485S

(12) **United States Design Patent**  
**Huang**

(10) **Patent No.:** **US D517,485 S**  
(45) **Date of Patent:** **\*\* Mar. 21, 2006**

- (54) **ELECTRICAL CONNECTOR**
  - (75) Inventor: **Huang-Chou Huang**, Taipei (TW)
  - (73) Assignee: **Suyin Corporation**, Taipei (TW)
  - (\*\*) Term: **14 Years**
  - (21) Appl. No.: **29/209,974**
  - (22) Filed: **Jul. 26, 2004**
  - (51) **LOC (8) Cl.** ..... **13-03**
  - (52) **U.S. Cl.** ..... **D13/147**
  - (58) **Field of Classification Search** ..... D13/146,  
D13/147, 184, 199; 439/79, 607-610, 660,  
439/686
- See application file for complete search history.

- 6,183,294 B1 \* 2/2001 Fan et al. .... 439/567
- D451,476 S \* 12/2001 Wang et al. .... D13/147
- D486,451 S \* 2/2004 Moritake ..... D13/147
- 6,808,428 B1 \* 10/2004 Korsunsky et al. .... 439/680

\* cited by examiner

*Primary Examiner*—Stella Reid  
*Assistant Examiner*—Daniel Bui  
(74) *Attorney, Agent, or Firm*—Rosenberg, Klein & Lee

(57) **CLAIM**

The ornamental design for an electrical connector, as shown.

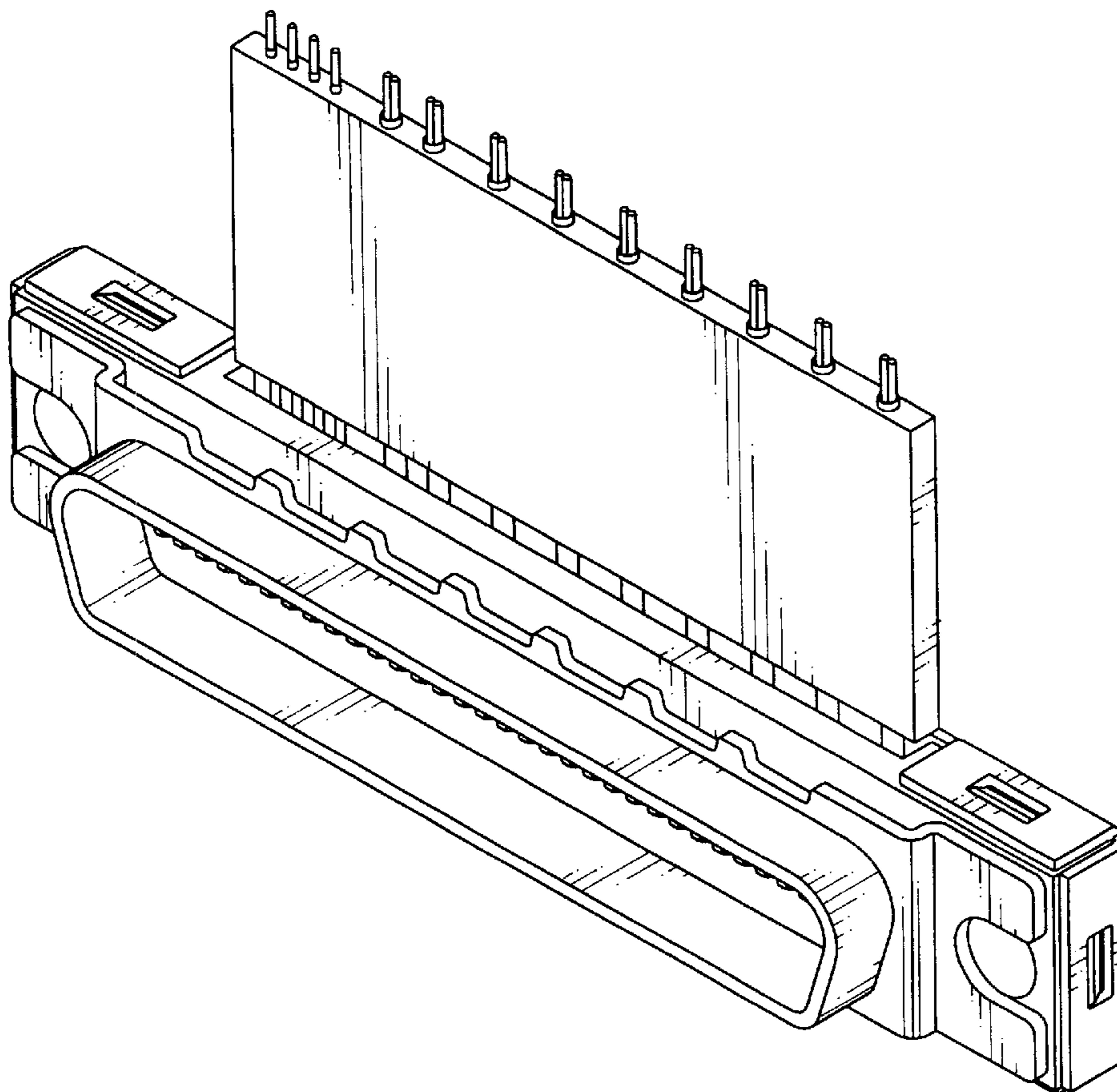
**DESCRIPTION**

FIG. 1 is a perspective view of an electrical connector showing my new design;  
FIG. 2 is a front elevational view thereof;  
FIG. 3 is a rear elevational view thereof;  
FIG. 4 is a left elevational view thereof;  
FIG. 5 is a right elevational view thereof;  
FIG. 6 is top plan view thereof; and,  
FIG. 7 is a bottom plan view thereof.

(56) **References Cited**  
**U.S. PATENT DOCUMENTS**

- 5,643,010 A \* 7/1997 Wu ..... 439/598
- D410,897 S \* 6/1999 Huang ..... D13/147
- 5,975,957 A \* 11/1999 Noda et al. .... 439/609
- D434,383 S \* 11/2000 Hu et al. .... D13/147

**1 Claim, 4 Drawing Sheets**



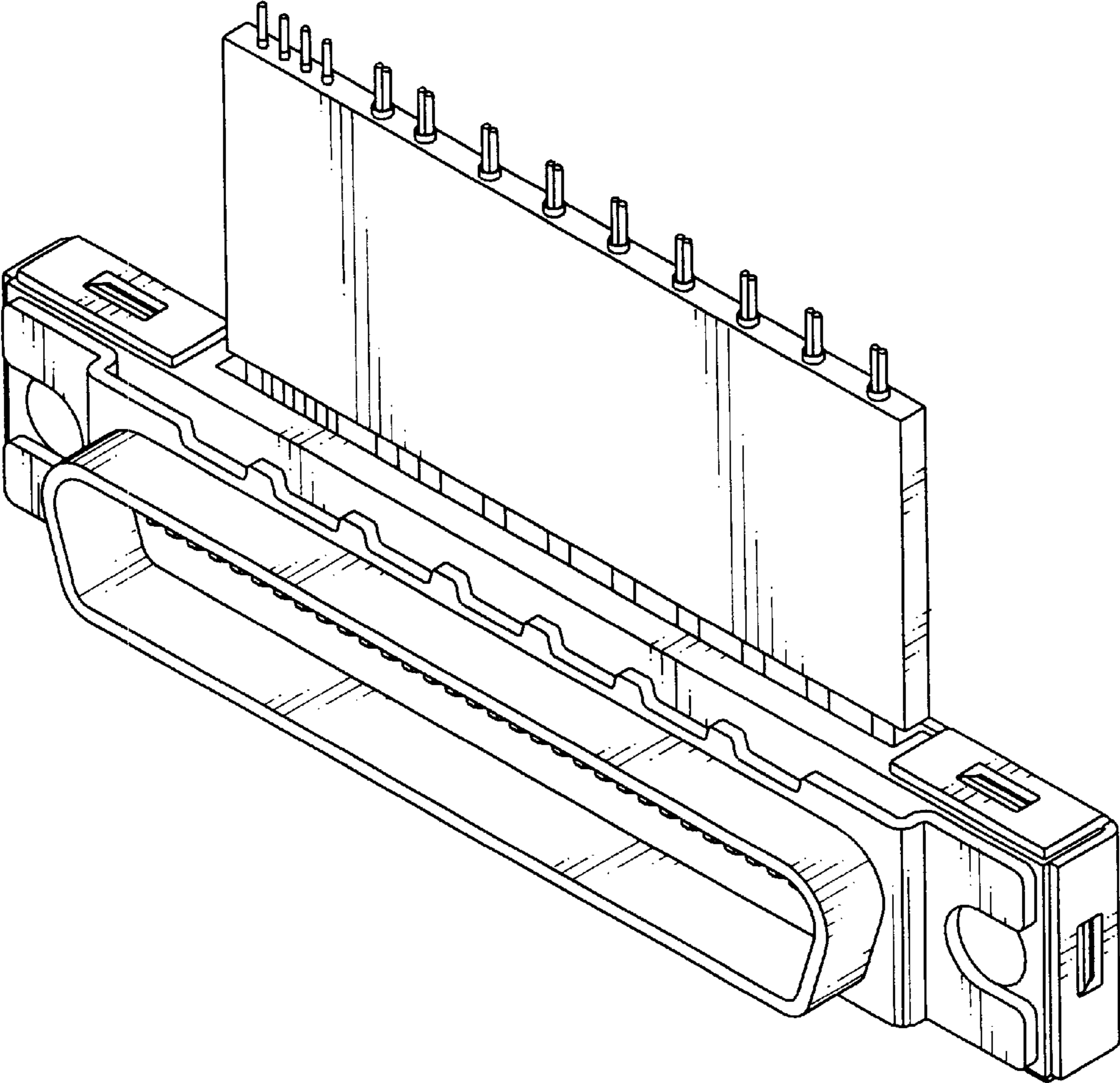


FIG. 1

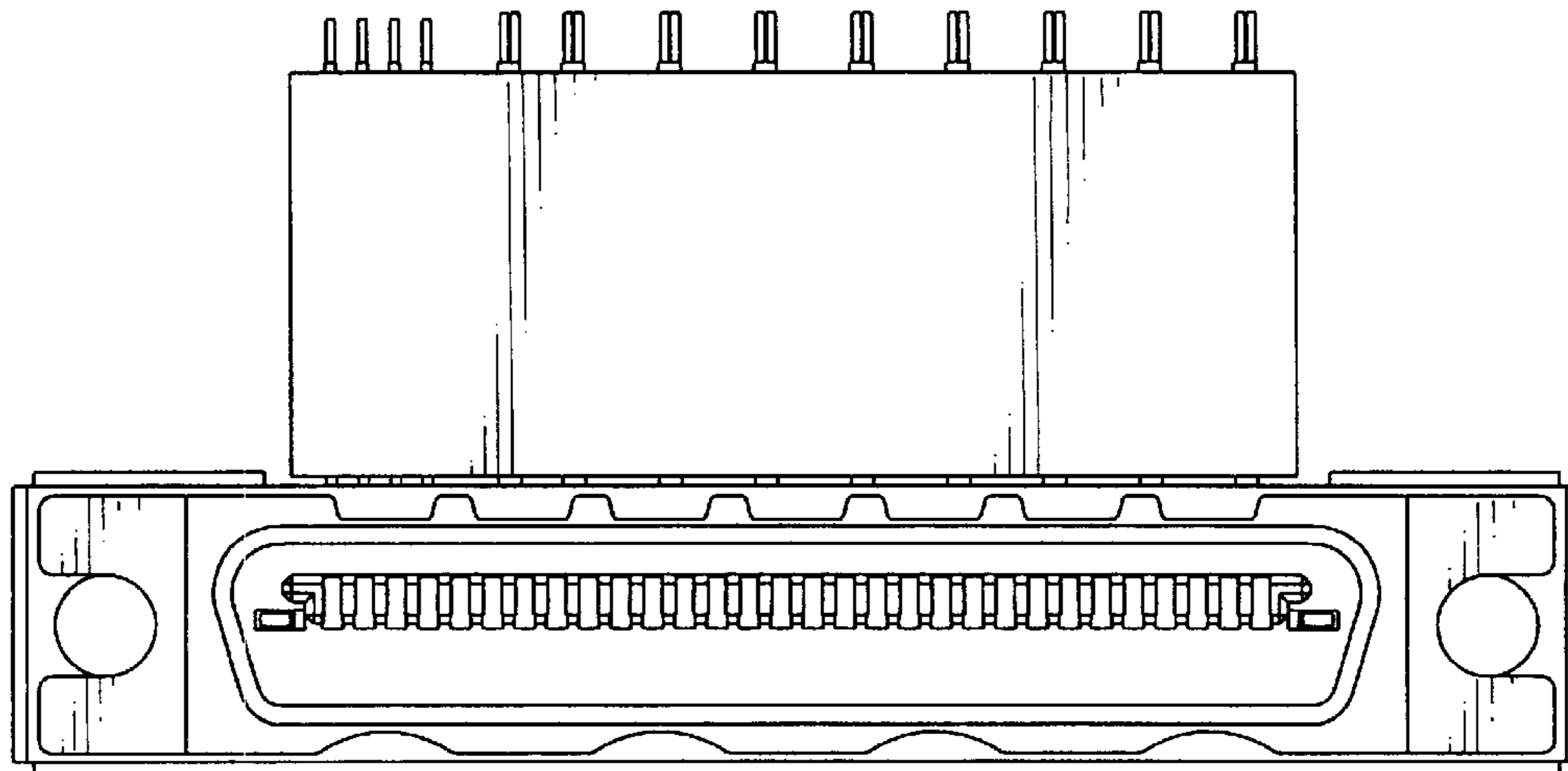


FIG. 2

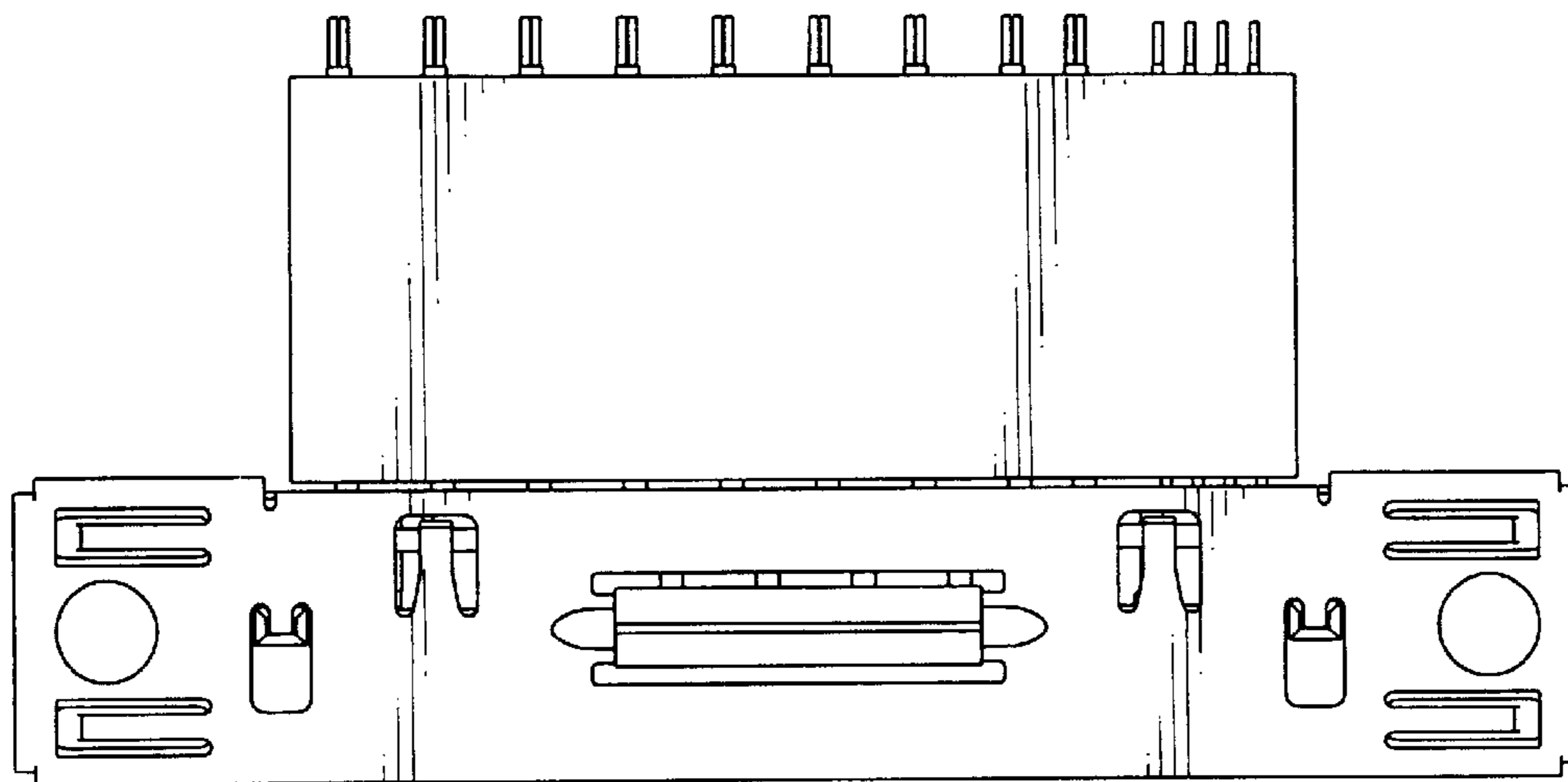


FIG. 3

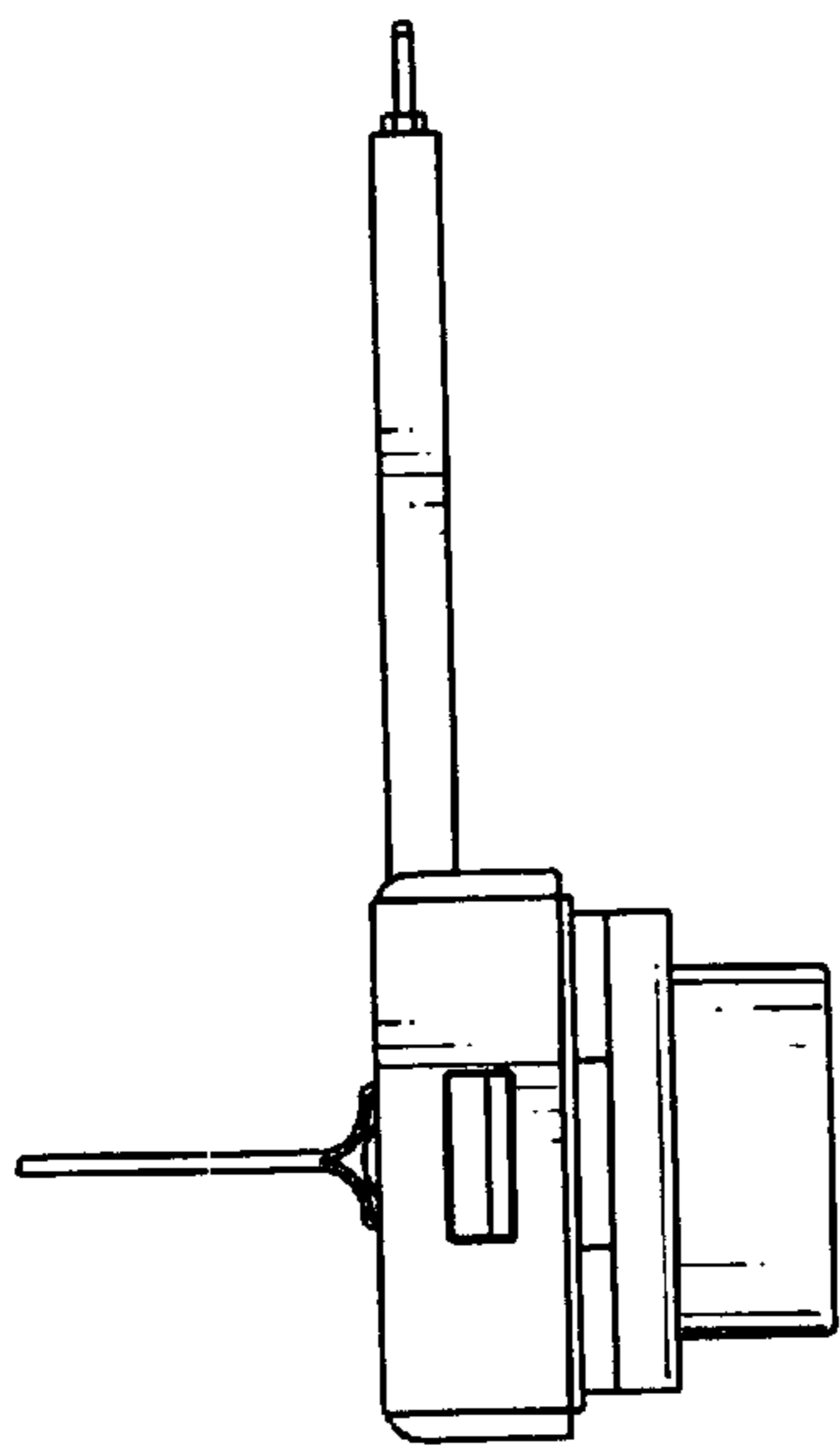


FIG. 4

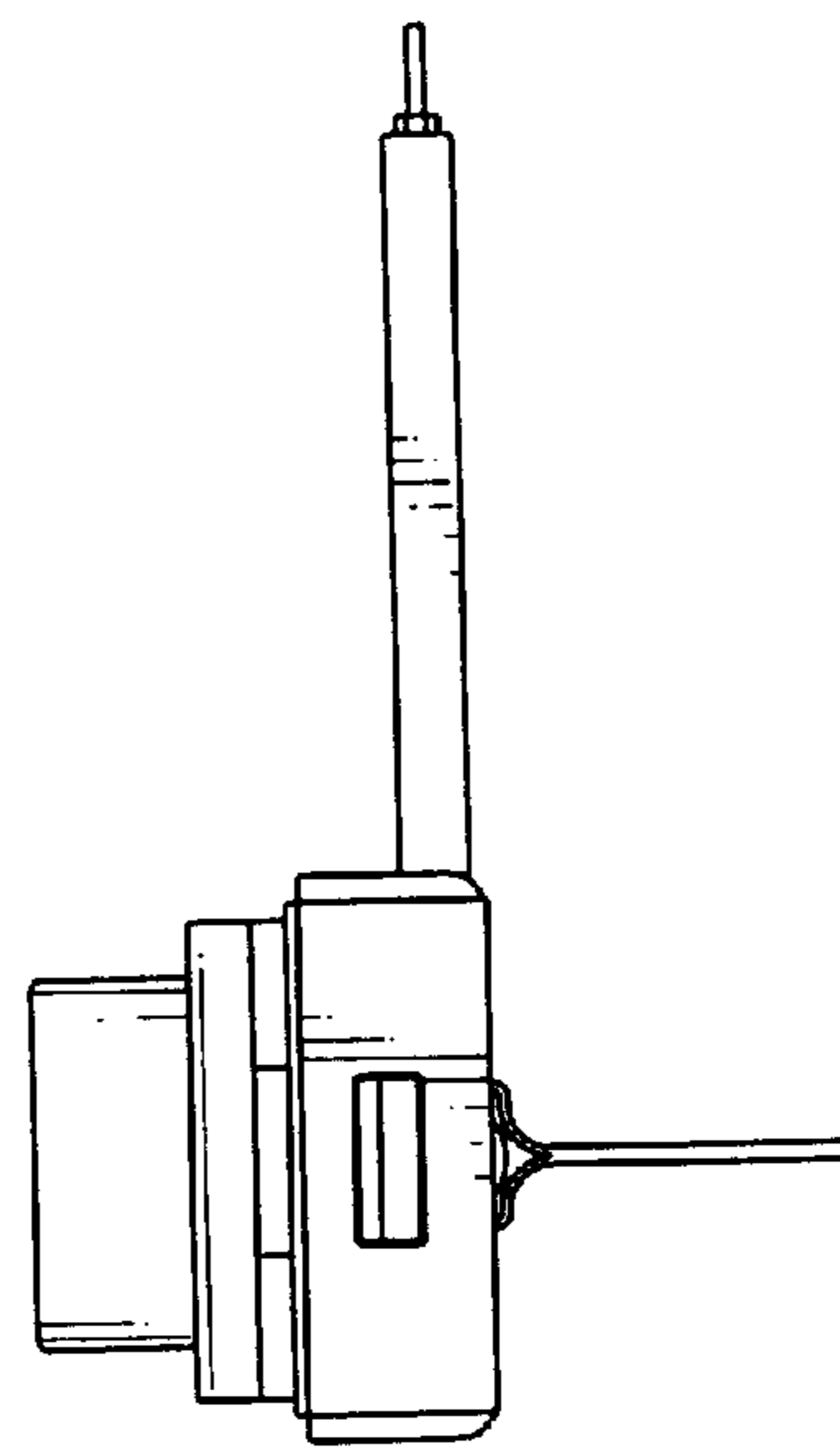


FIG. 5

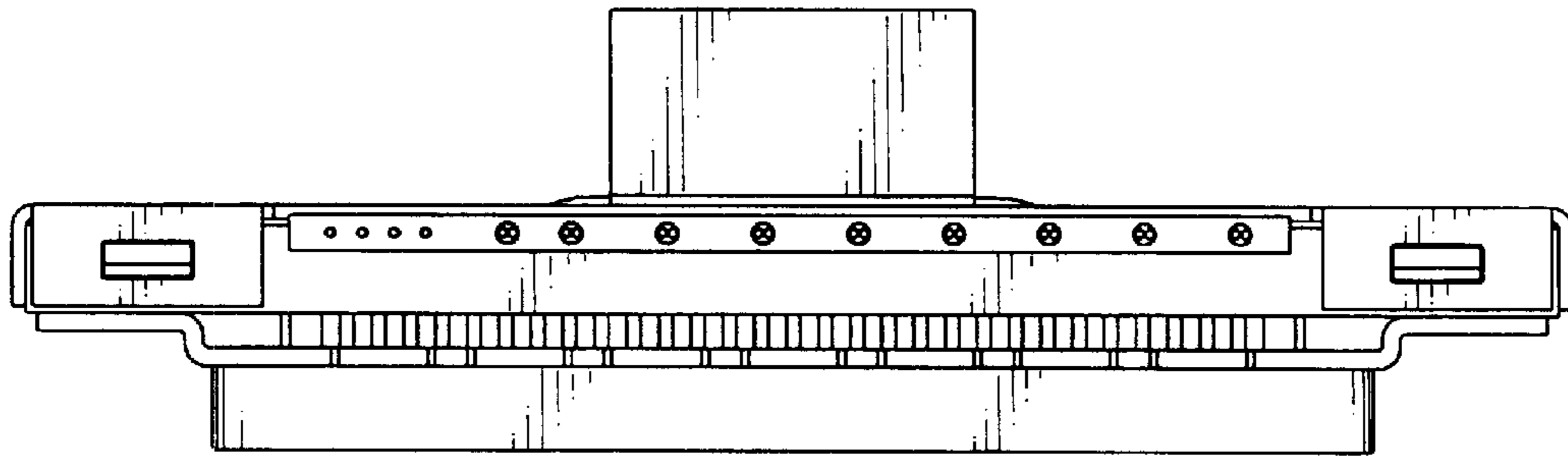


FIG. 6

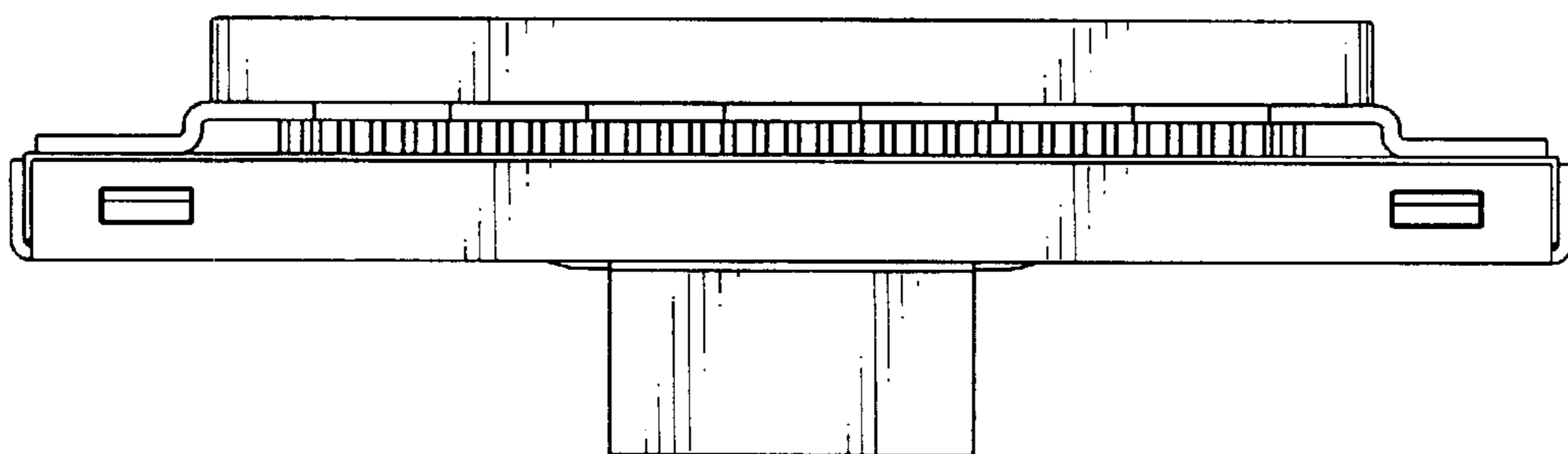


FIG. 7