



US00D517481S

(12) **United States Design Patent** (10) **Patent No.:** **US D517,481 S**
Nipke (45) **Date of Patent:** **** Mar. 21, 2006**

(54) **CYLINDRICAL POWER HUB**
 (75) Inventor: **Mike Nipke**, Grandville, MI (US)
 (73) Assignee: **Vendor Development Group, Inc.**,
 Grand Rapids, MI (US)
 (**) Term: **14 Years**
 (21) Appl. No.: **29/205,036**
 (22) Filed: **May 7, 2004**
 (51) **LOC (8) Cl.** **13-03**
 (52) **U.S. Cl.** **D13/139.2**
 (58) **Field of Classification Search** D13/123,
 D13/133, 139.1, 139.2, 139.4, 139.5, 152;
 D24/129; D25/127; 174/40 R, 45 R; 52/220.1,
 52/220.2; 362/102, 276
 See application file for complete search history.

D379,176 S 5/1997 Chambers et al.
 D379,970 S 6/1997 Chambers et al.
 D389,459 S * 1/1998 Byrne D13/139.5
 5,769,000 A 6/1998 Dunfey
 5,776,559 A 7/1998 Woolford
 5,787,914 A 8/1998 Greywall
 5,901,721 A * 5/1999 Sadeghvaziri 135/16
 5,907,127 A 5/1999 Daoud
 5,911,493 A 6/1999 Walker et al.
 6,017,188 A 1/2000 Benton
 6,070,808 A 6/2000 Kidlow
 6,126,293 A 10/2000 Wu
 6,209,147 B1 4/2001 Wheaton
 6,270,230 B1 8/2001 Mai
 6,323,431 B1 11/2001 Lin
 6,439,249 B1 8/2002 Pan et al.
 D467,877 S 12/2002 Mori et al.
 6,612,713 B1 * 9/2003 Kuelbs 362/102
 6,627,816 B1 9/2003 Walker et al.
 6,659,616 B1 12/2003 Bilotti
 6,668,845 B1 12/2003 Lin et al.
 6,772,778 B1 * 8/2004 Morosini et al. 135/65
 2004/0100791 A1 5/2004 Bilotti et al.

(56) **References Cited**

U.S. PATENT DOCUMENTS

2,087,537 A 7/1937 Finkel
 D130,643 S 12/1941 Hose
 2,540,784 A * 2/1951 Hocher 248/219.1
 2,823,001 A * 2/1958 Whitfield 248/49
 3,215,831 A 11/1965 Gladsen et al.
 D208,917 S 10/1967 Mellyn
 D244,465 S * 5/1977 Stoneman D13/139.4
 4,061,154 A 12/1977 Cox et al.
 4,072,857 A 2/1978 DeVicaris
 4,164,618 A * 8/1979 Casasanta 174/48
 4,174,532 A 11/1979 Kelley
 4,491,141 A 1/1985 Eppenbach
 D295,400 S 4/1988 Wung
 4,914,258 A * 4/1990 Jackson 174/45 R
 4,979,535 A 12/1990 Sadowski et al.
 4,994,631 A 2/1991 Williams, Jr.
 5,053,931 A 10/1991 Rushing
 5,101,844 A 4/1992 Morrone
 5,331,524 A 7/1994 Tseng
 D355,890 S * 2/1995 Lentz D13/139.4
 5,463,535 A * 10/1995 Vest 362/102
 5,471,804 A * 12/1995 Winter, IV 52/220.1
 5,584,357 A 12/1996 Gugel et al.
 5,611,614 A 3/1997 Morgan
 D378,913 S 4/1997 Chambers et al.

FOREIGN PATENT DOCUMENTS

EP 0851178 7/1998
 GB 2222942 3/1990

* cited by examiner

Primary Examiner—Alan P. Douglas
Assistant Examiner—Rosemary Tarcza
 (74) *Attorney, Agent, or Firm*—McAndrews, Held & Malloy, Ltd.

(57) **CLAIM**

The ornamental design for the cylindrical power hub, as shown and described.

DESCRIPTION

FIG. 1 is a front view of a cylindrical power hub according to the present invention;
 FIG. 2 is a bottom view of the power hub of FIG. 1;
 FIG. 3 is a top view of the power hub of FIG. 1;
 FIG. 4 is a left-side view of the power hub of FIG. 1;
 FIG. 5 is a right-side view of the power hub of FIG. 1;
 FIG. 6 is a rear view of the power hub of FIG. 1; and,
 FIG. 7 is a front view of the power hub of FIG. 1 with covers in an open position.

1 Claim, 5 Drawing Sheets

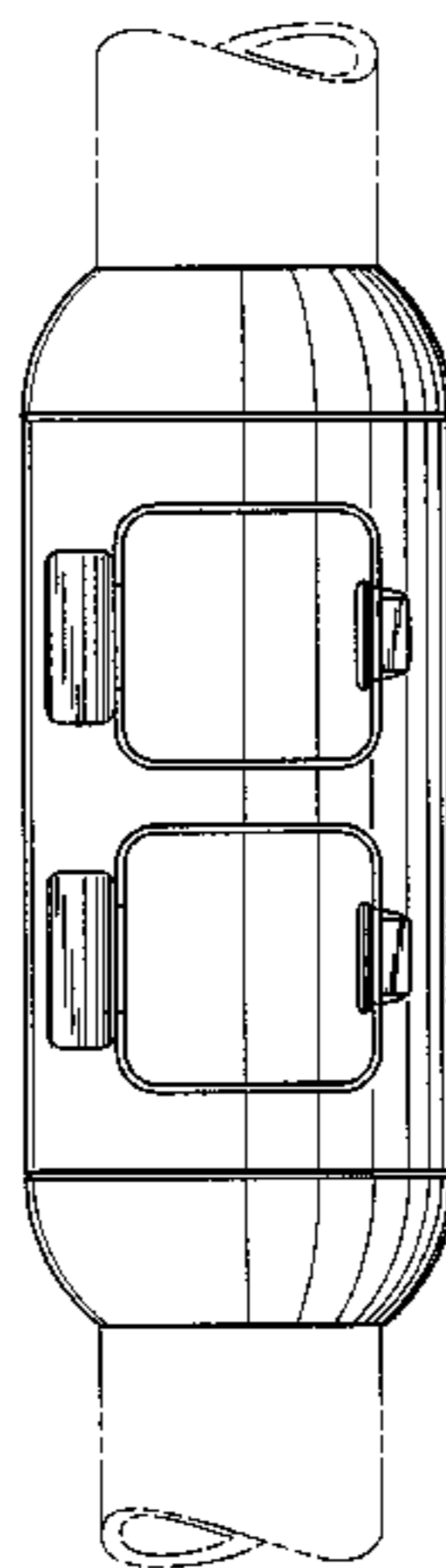


Fig. 1

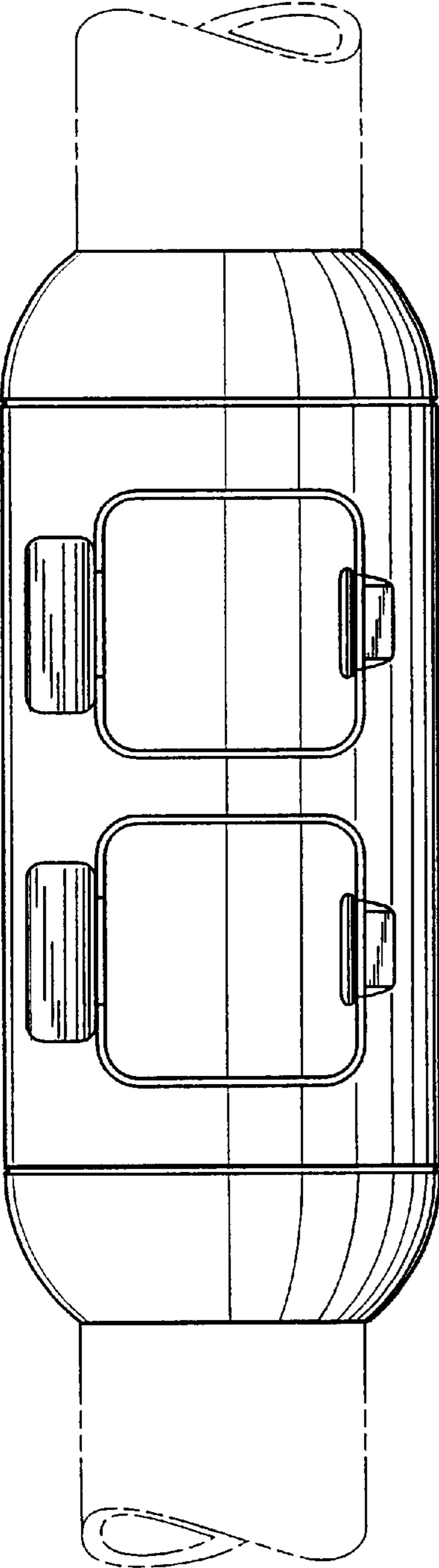


Fig. 2

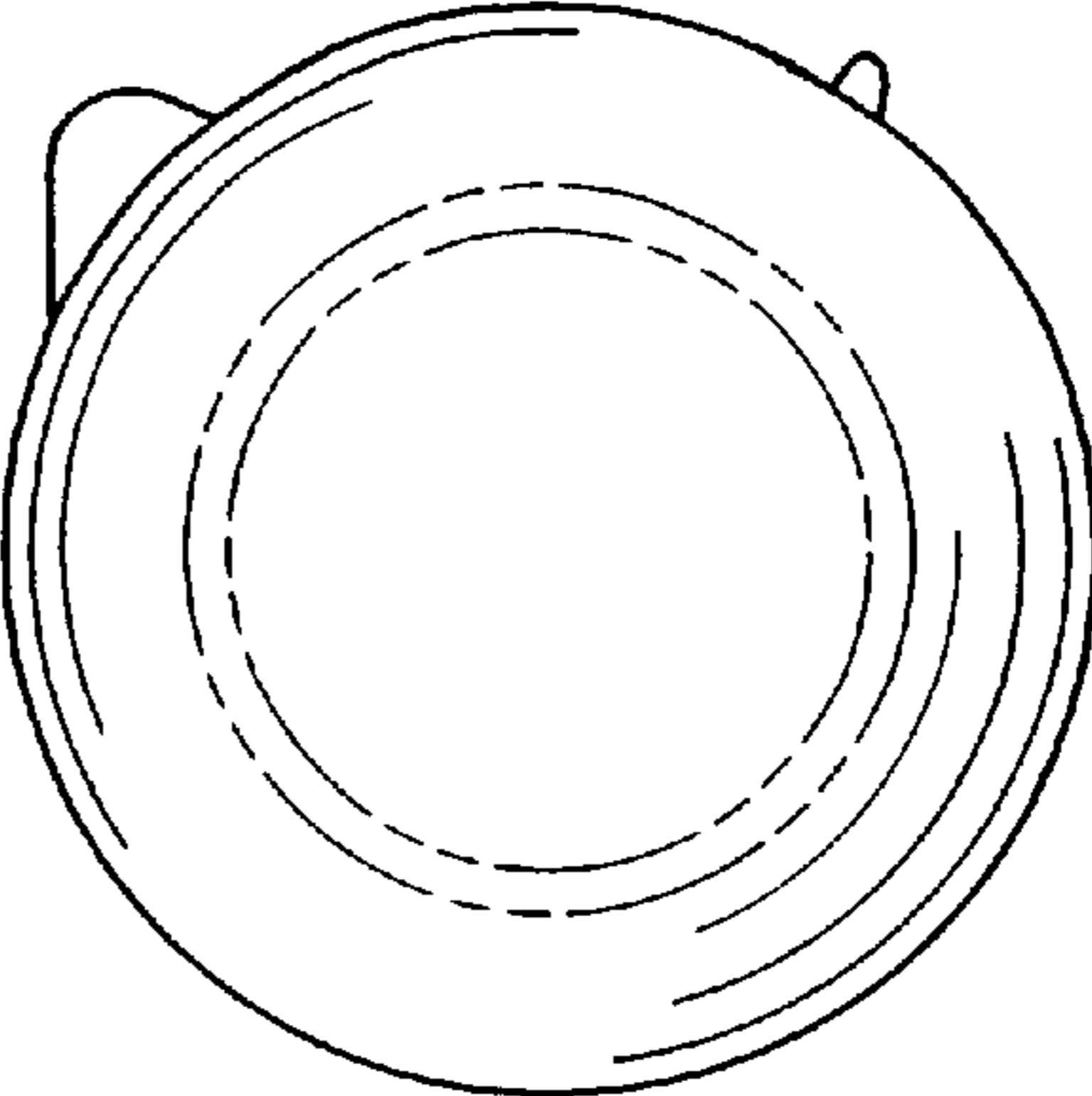


Fig. 3

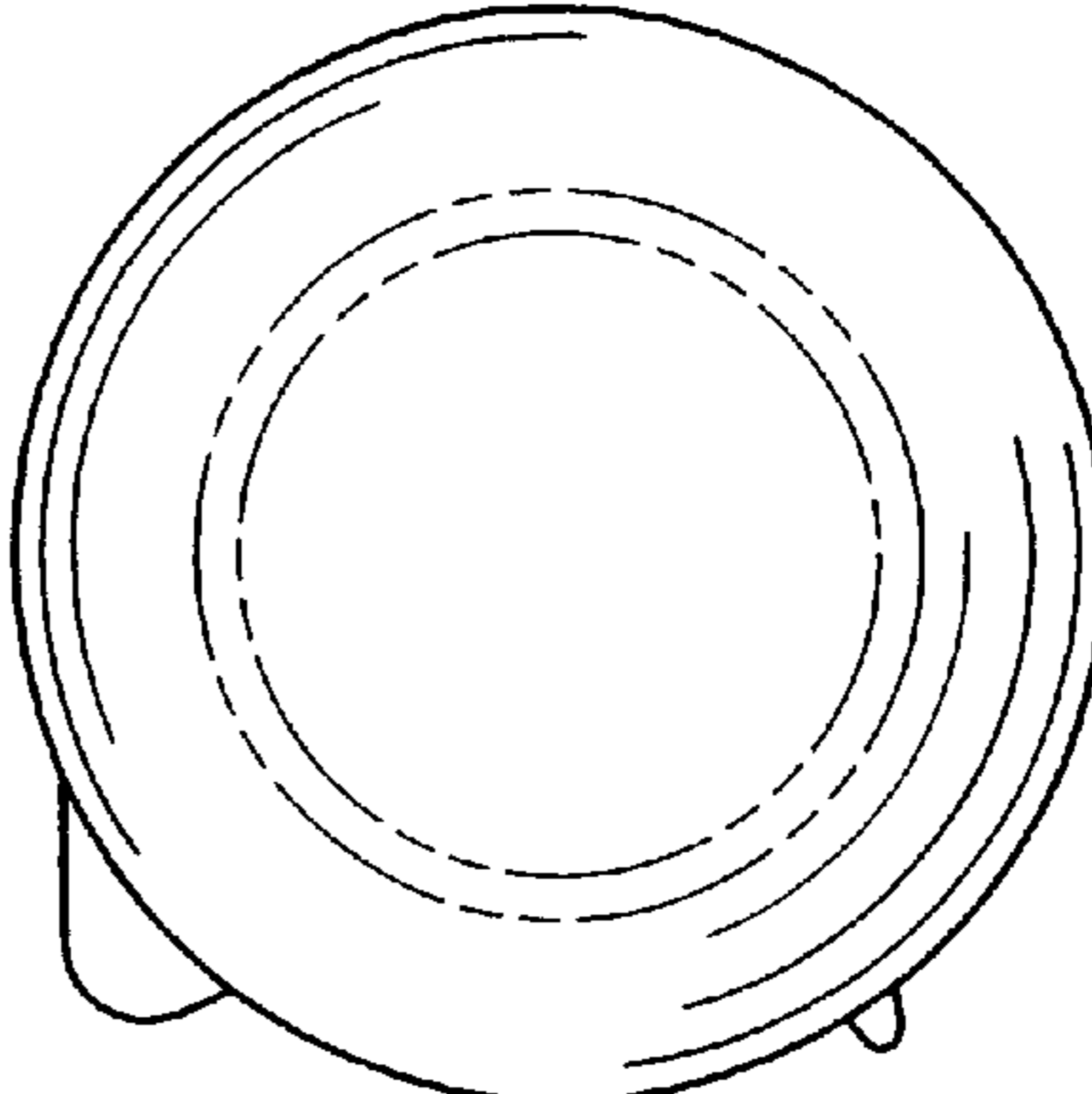


Fig. 4

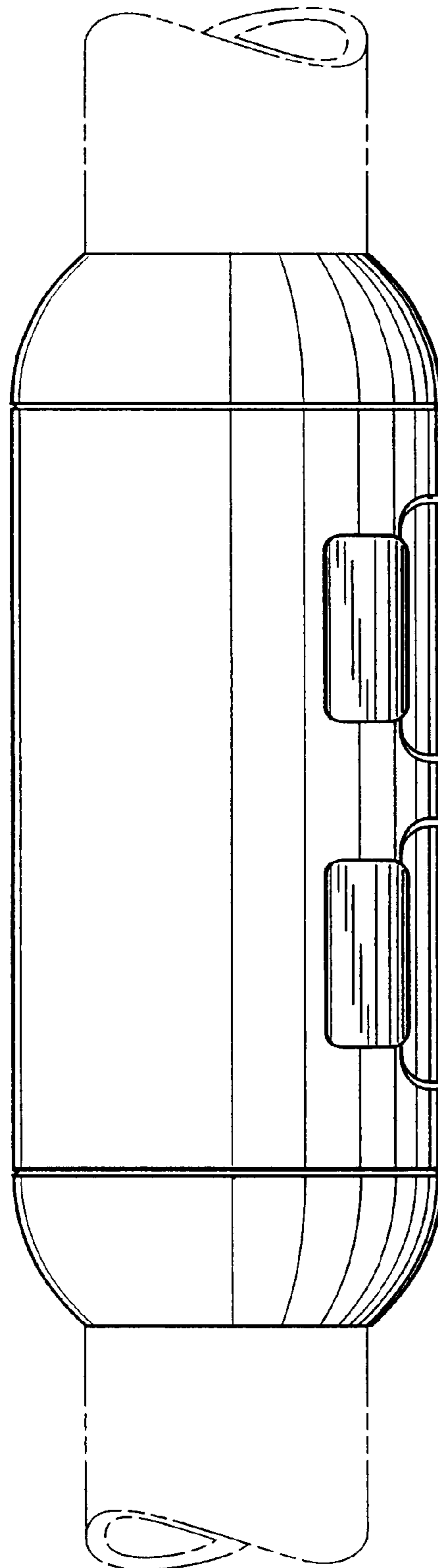


Fig. 5

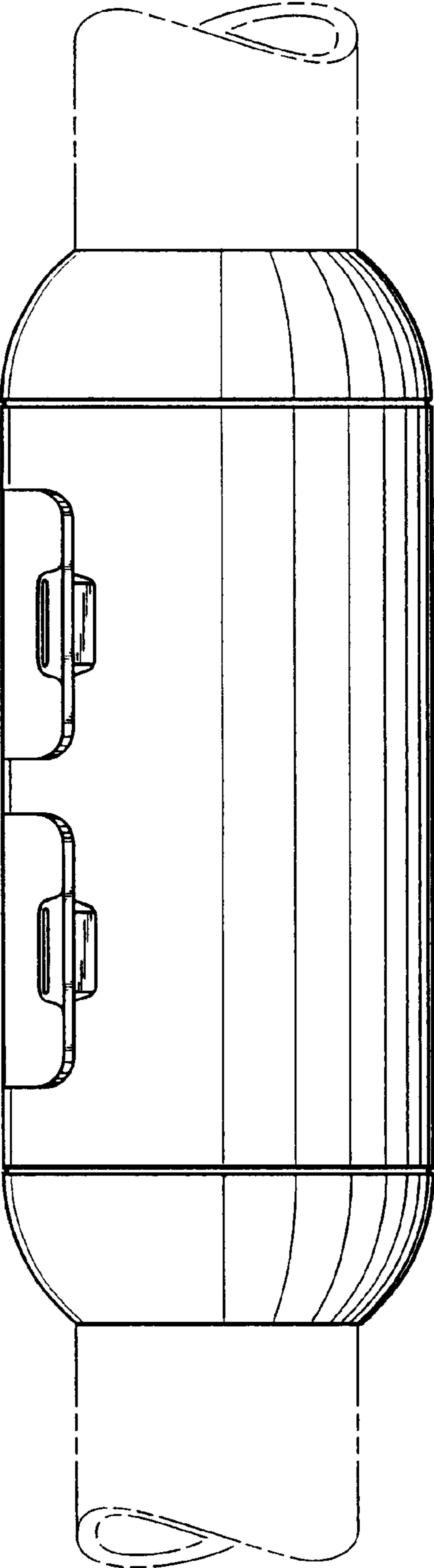


Fig. 6

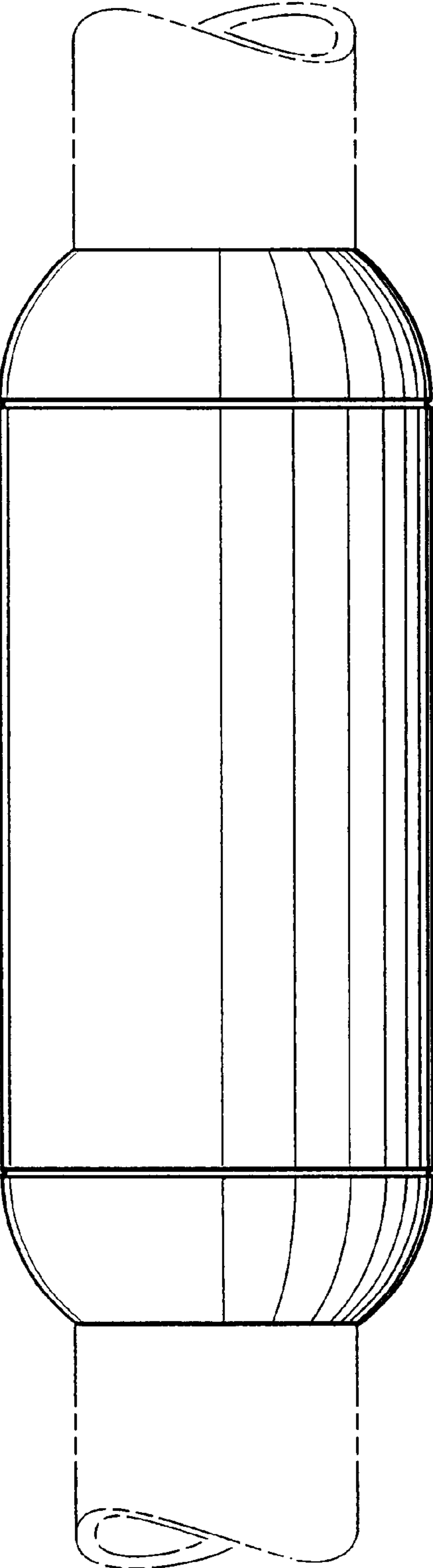


Fig. 7

