



US00D517478S

(12) **United States Design Patent**  
**Bayat et al.**

(10) **Patent No.: US D517,478 S**  
(45) **Date of Patent: \*\* Mar. 21, 2006**

(54) **LED LAMP CHARGING STATION**

(75) Inventors: **Bijan Bayat**, Dallas, TX (US); **James Newton**, Dallas, TX (US)

(73) Assignee: **Bayco Products, Ltd.**, Wylie, TX (US)

(\*\*) Term: **14 Years**

(21) Appl. No.: **29/211,599**

(22) Filed: **Aug. 18, 2004**

(51) **LOC (8) Cl. .... 13-02**

(52) **U.S. Cl. .... D13/108; D13/107**

(58) **Field of Classification Search** ..... D13/107-110,  
D13/118-119, 184; D14/251, 253, 432, 434;  
320/107-115

See application file for complete search history.

(56) **References Cited**

**U.S. PATENT DOCUMENTS**

D300,214 S	*	3/1989	Adams	.....	D13/108
D300,678 S	*	4/1989	Barrault	.....	D32/73
D327,868 S	*	7/1992	Oka	.....	D13/110
D330,885 S	*	11/1992	Tattari	.....	D13/108
D400,853 S	*	11/1998	Chen	.....	D13/119
5,847,545 A	*	12/1998	Chen et al.	.....	320/138
D410,432 S	*	6/1999	Park	.....	D13/110
D418,108 S	*	12/1999	Snider	.....	D13/108
D456,349 S	*	4/2002	Chuang	.....	D13/107
D464,316 S	*	10/2002	Nazar	.....	D13/110
D469,061 S	*	1/2003	Porter	.....	D13/119

\* cited by examiner

*Primary Examiner*—Alan P. Douglas  
*Assistant Examiner*—Rosemary K. Tarcza

(74) *Attorney, Agent, or Firm*—Stephen S. Mosher

(57) **CLAIM**

The ornamental design for a LED lamp charging station, as shown and described.

**DESCRIPTION**

FIG. 1 is a perspective view of an LED lamp charging station, wherein the structures shown in broken lines form no part of the design;

FIG. 2 is a front view of the LED lamp charging station of FIG. 1, wherein the structures shown in broken lines form no part of the design;

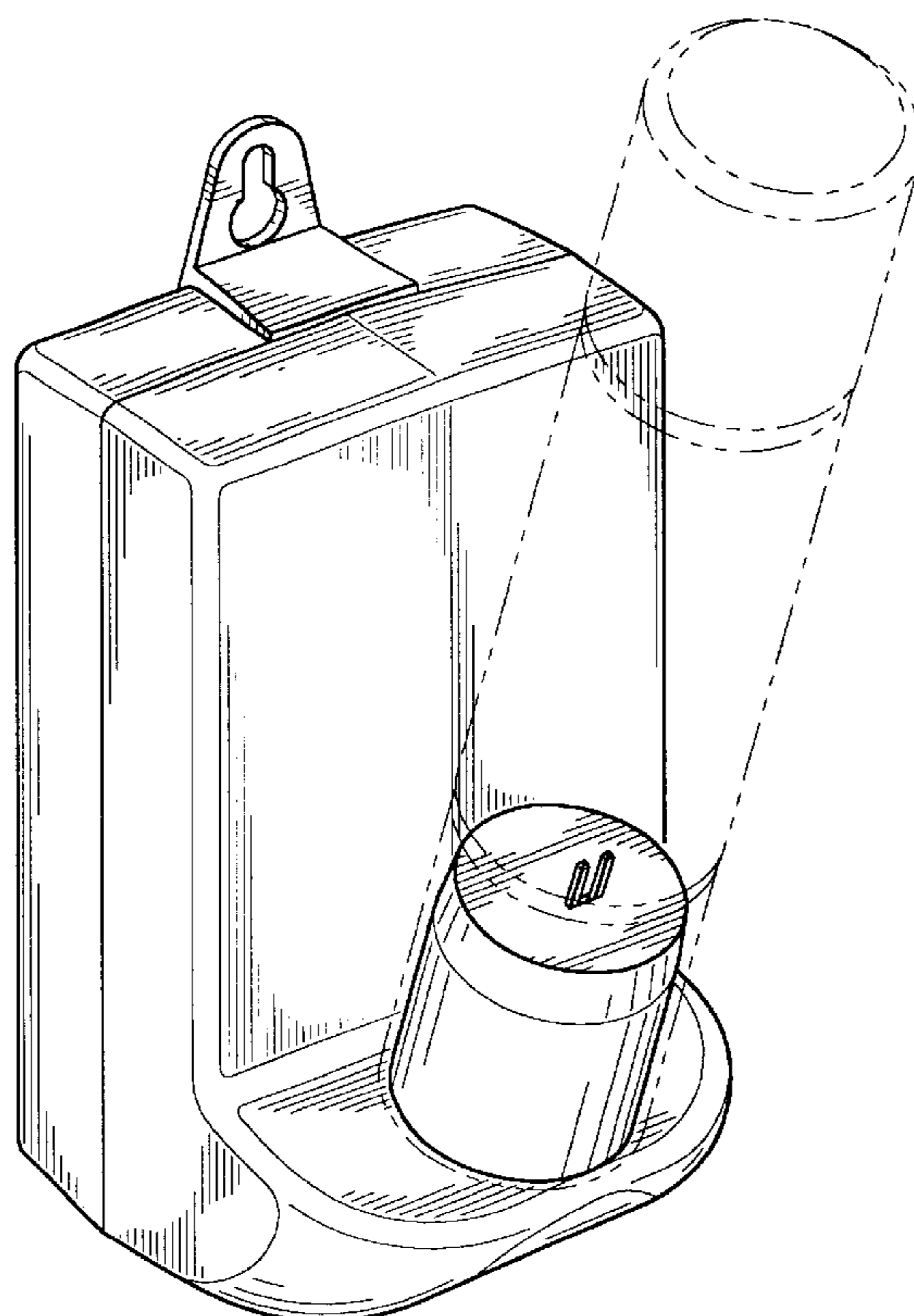
FIG. 3 is a first side view of the LED lamp charging station of FIG. 1, which is a mirror image of the second side, and wherein the structures shown in broken lines form no part of the design;

FIG. 4 is a back view of the LED lamp charging station of FIG. 1, wherein the structures shown in broken lines form no part of the design;

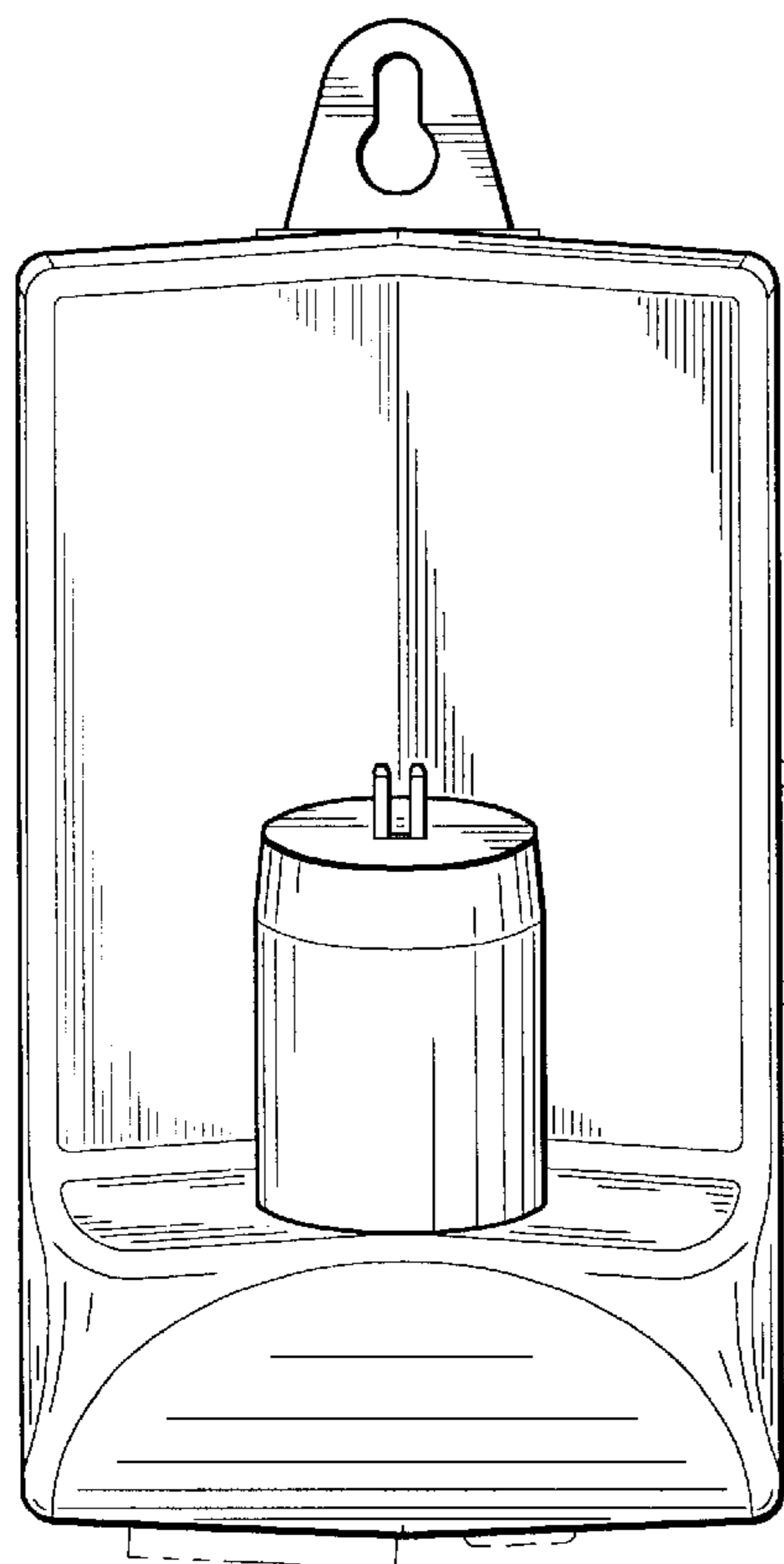
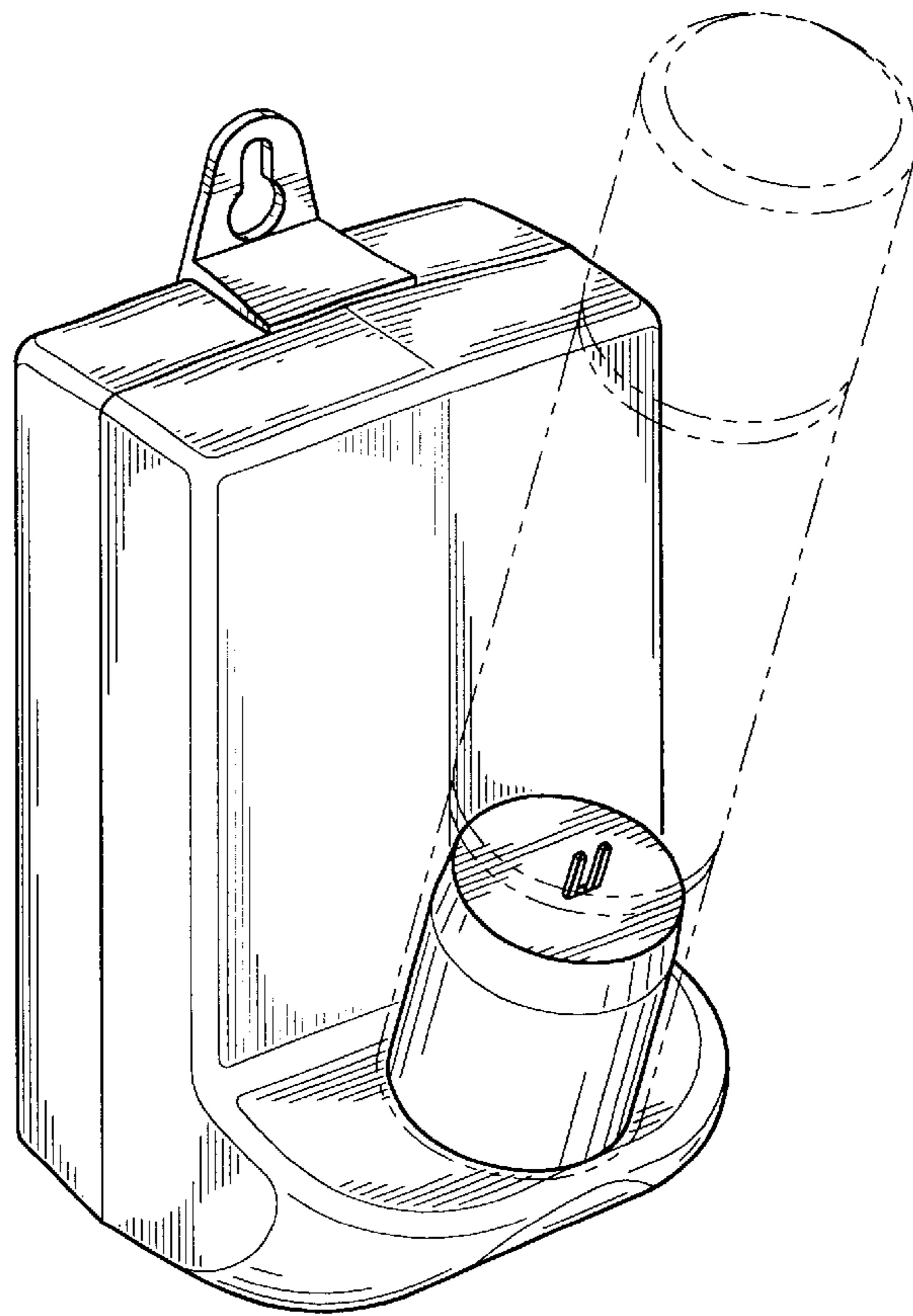
FIG. 5 is a top view of the LED lamp charging station of FIG. 1, wherein the structures shown in broken lines form no part of the design; and,

FIG. 6 is a bottom view of the LED lamp charging station of FIG. 1, wherein the structures shown in broken lines form no part of the design.

**1 Claim, 3 Drawing Sheets**



*FIG. 1*



*FIG. 2*

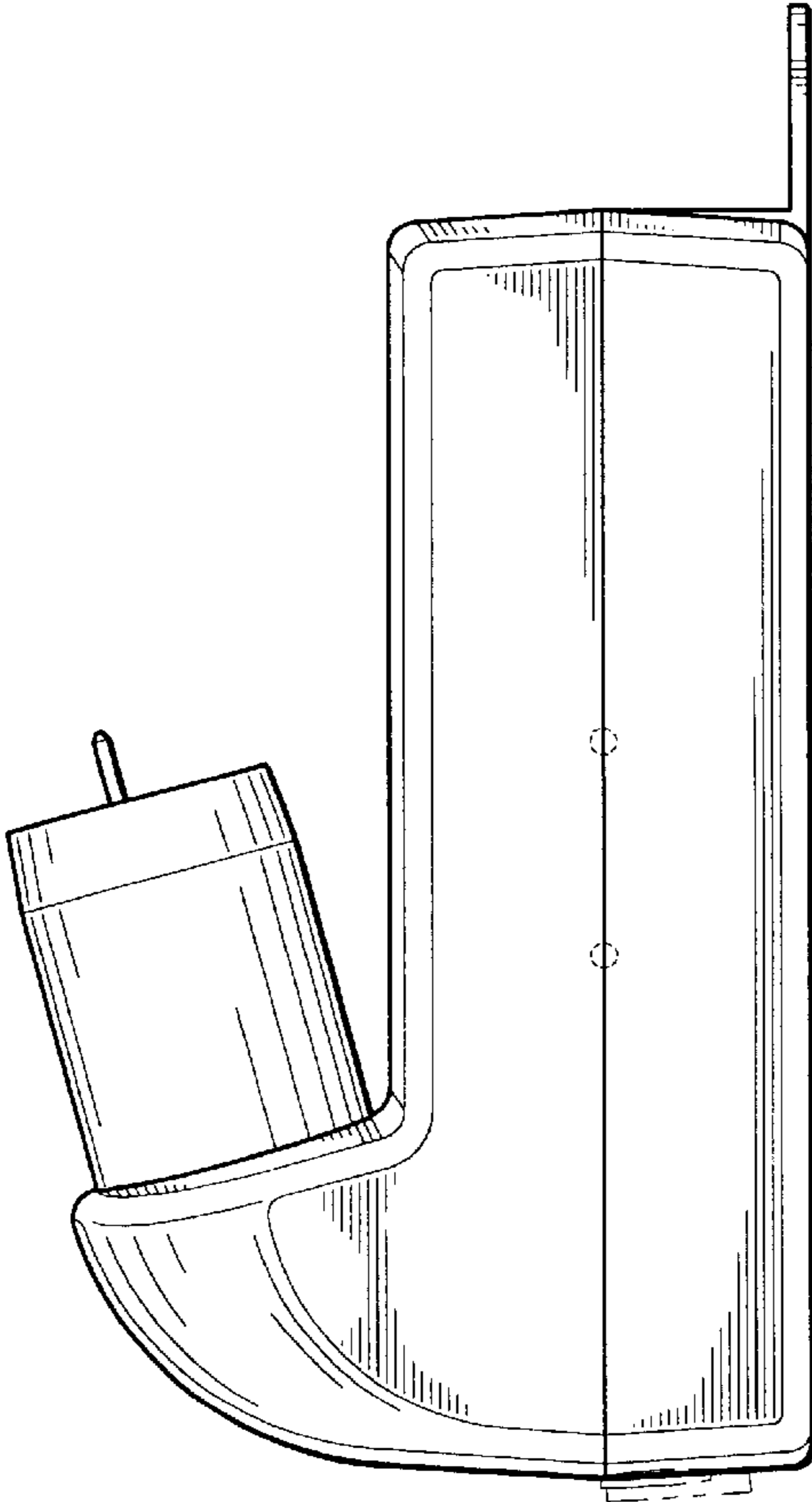


FIG. 3

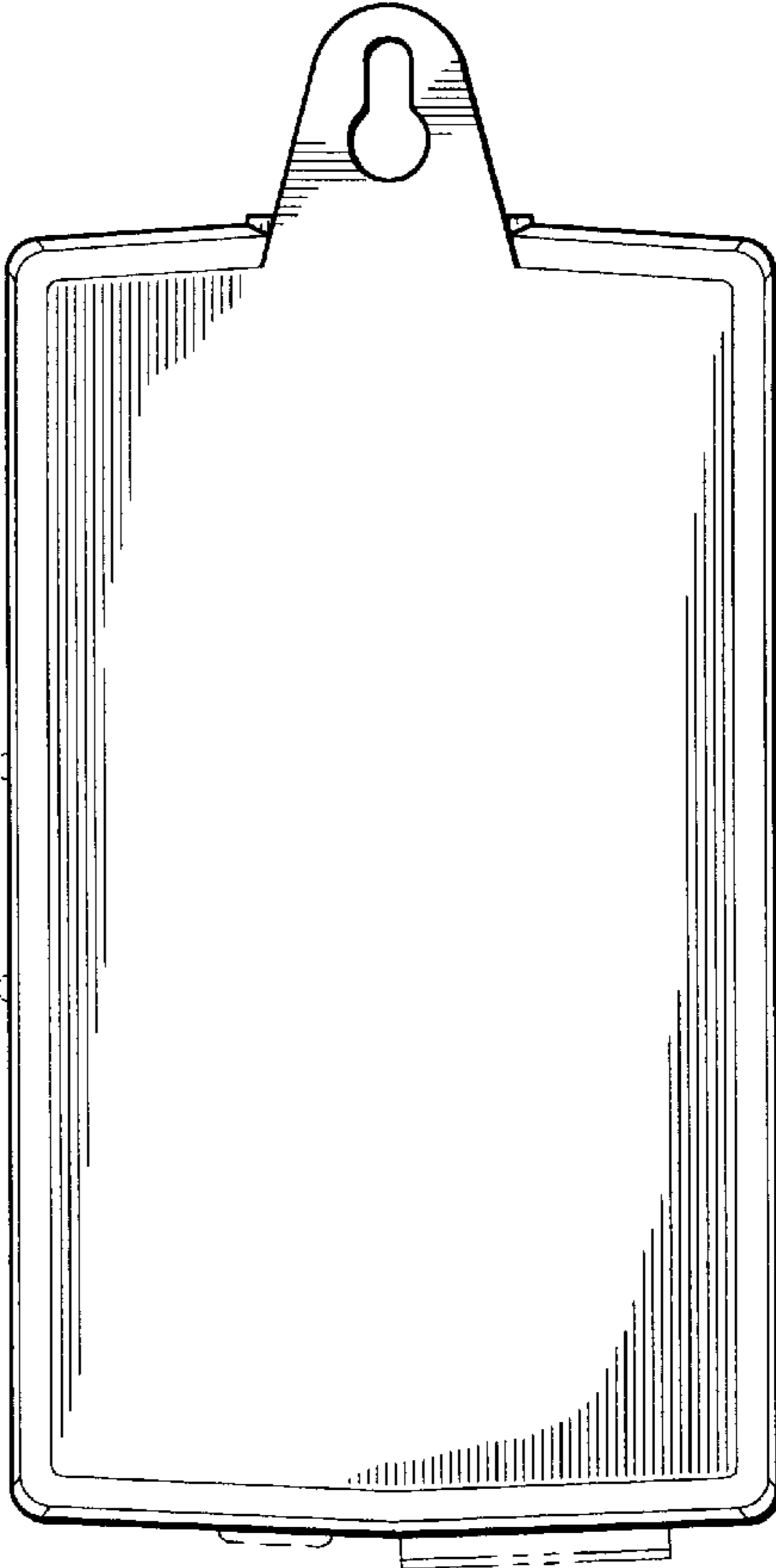
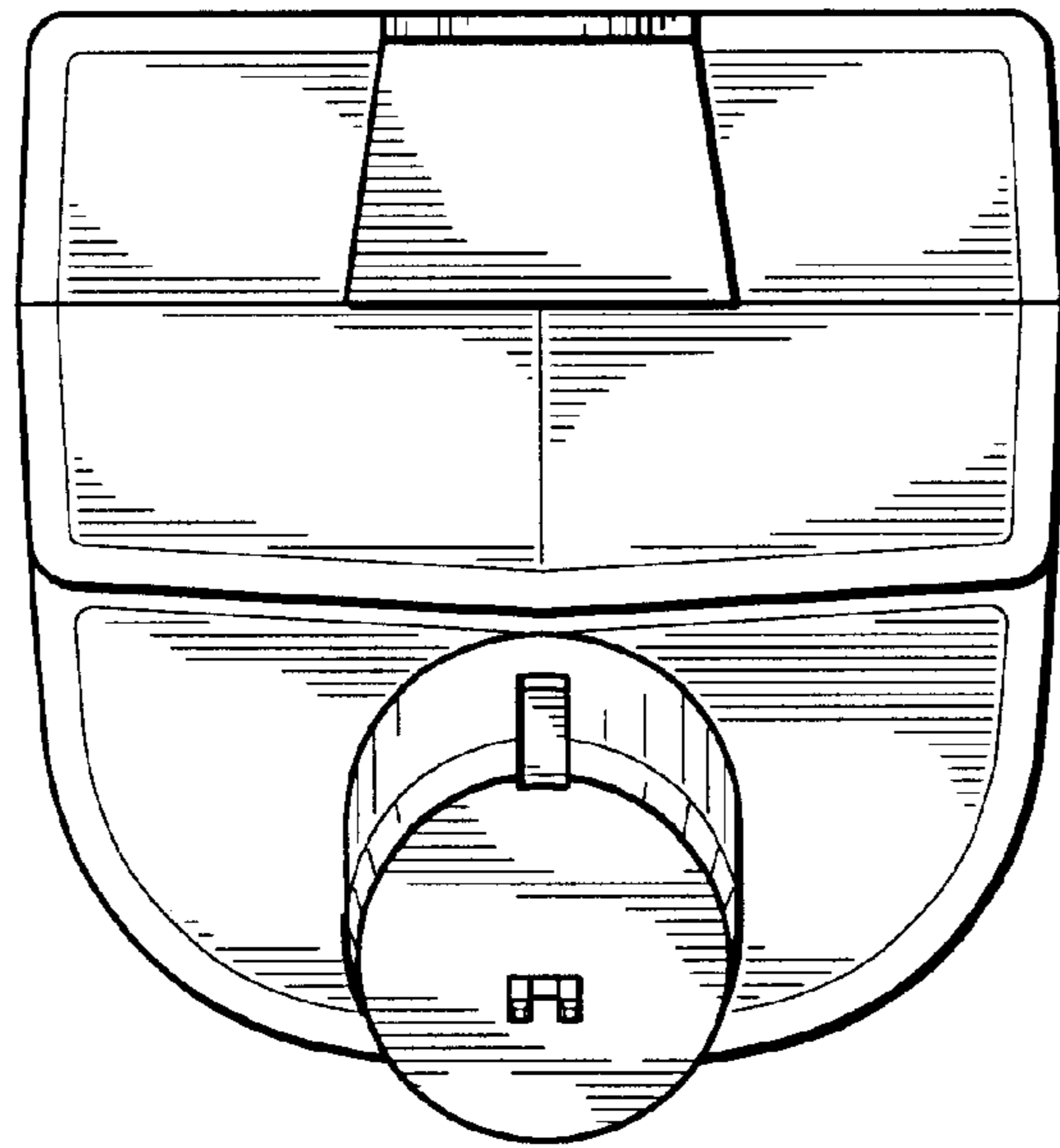
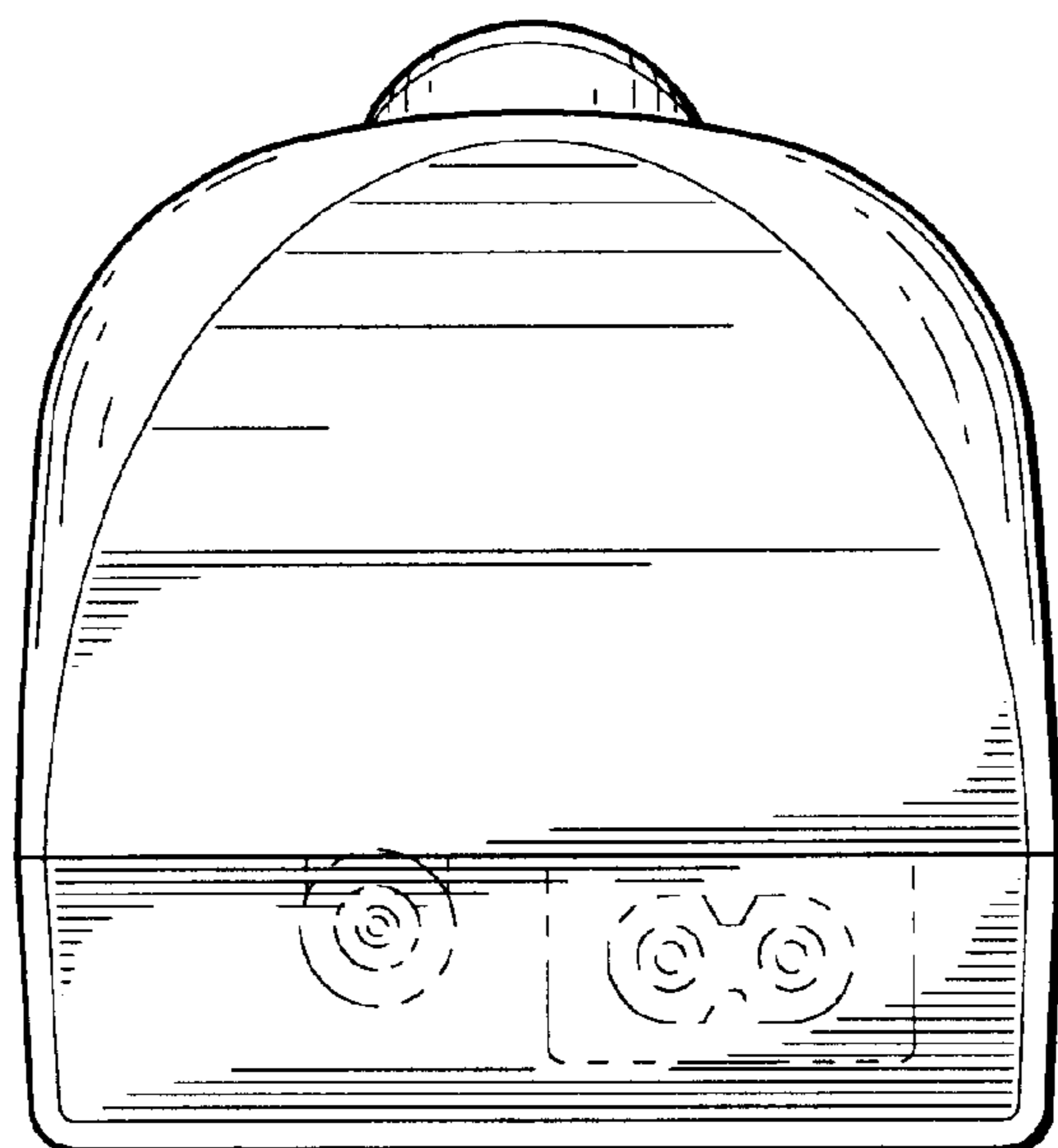


FIG. 4



*FIG. 5*



*FIG. 6*