



US00D517475S

(12) **United States Design Patent**
Yokota

(10) **Patent No.:** **US D517,475 S**
(45) **Date of Patent:** **** Mar. 21, 2006**

(54) **BATTERY**

(75) Inventor: **Hiroaki Yokota**, Tokyo (JP)

(73) Assignee: **Sony Corporation**, Tokyo (JP)

(**) Term: **14 Years**

(21) Appl. No.: **29/207,603**

(22) Filed: **Jun. 17, 2004**

(51) **LOC (8) Cl.** **13-02**

(52) **U.S. Cl.** **D13/103**

(58) **Field of Classification Search** D13/102–106,
D13/110, 118–119, 184; 429/96–100, 163,
429/176

See application file for complete search history.

(56) **References Cited**

U.S. PATENT DOCUMENTS

D243,616 S	*	3/1977	Kaye	D13/103
D329,634 S	*	9/1992	Mizusugi et al.	D13/103
D346,580 S	*	5/1994	Tattari	D13/103
D346,581 S	*	5/1994	Tattari	D13/103
D415,466 S	*	10/1999	Kawa	D13/103
D425,015 S	*	5/2000	Iwamoto	D13/103
D431,808 S	*	10/2000	Ogasawara	D13/103
D448,003 S	*	9/2001	Ogasawara	D13/103
6,376,122 B1	*	4/2002	Cheeseman	429/99
D461,163 S	*	8/2002	Hirano et al.	D13/103
D477,275 S	*	7/2003	Wada	D13/103

OTHER PUBLICATIONS

Web page “PCGA–BP12” www.yodobashi.com, 1 sheet, Yodobashi Camera (Apr. 2004).

Web page “PCGA–BP2V” <http://www.ecat.sony.co.jp/vaio/acc/acc.cfm?pd=11070>, 1 sheet, Sony (Apr. 2004).

Web page “PCGA–BP2T” [http://www.sony.co.jp/cgi-bin/search/jp/search.cgi?restrictoption=japan-all&g=PCGA–BP2T](http://www.sony.co.jp/cgi-bin/search/jp/search.cgi?restrictoption=japan-all&g=PCGA-BP2T), 1 sheet, Sony (Apr. 2004).

* cited by examiner

Primary Examiner—Alan P. Douglas

Assistant Examiner—Rosemary Tarcza

(74) *Attorney, Agent, or Firm*—Rader, Fishman & Grauer PLLC

(57) **CLAIM**

The ornamental design for a battery, as shown.

DESCRIPTION

FIG. 1 is a perspective view of a first embodiment of a battery showing my new design;
 FIG. 2 is a front elevational view thereof;
 FIG. 3 is a rear elevational view thereof;
 FIG. 4 is a left side elevational view thereof;
 FIG. 5 is a right side elevational view thereof;
 FIG. 6 is a top plan view thereof;
 FIG. 7 is a bottom plan view thereof;
 FIG. 8 is a perspective view of a second embodiment of a battery showing my new design;
 FIG. 9 is a front elevational view thereof;
 FIG. 10 is a rear elevational view thereof;
 FIG. 11 is a left side elevational view thereof;
 FIG. 12 is a right side elevational view thereof;
 FIG. 13 is a top plan view thereof;
 FIG. 14 is a bottom plan view thereof;
 FIG. 15 is a perspective view of a third embodiment of a battery showing my new design;
 FIG. 16 is a front elevational view thereof;
 FIG. 17 is a rear elevational view thereof;
 FIG. 18 is a left side elevational view thereof;
 FIG. 19 is a right side elevational view thereof;
 FIG. 20 is a top plan view thereof; and,
 FIG. 21 is a bottom plan view thereof.

1 Claim, 12 Drawing Sheets

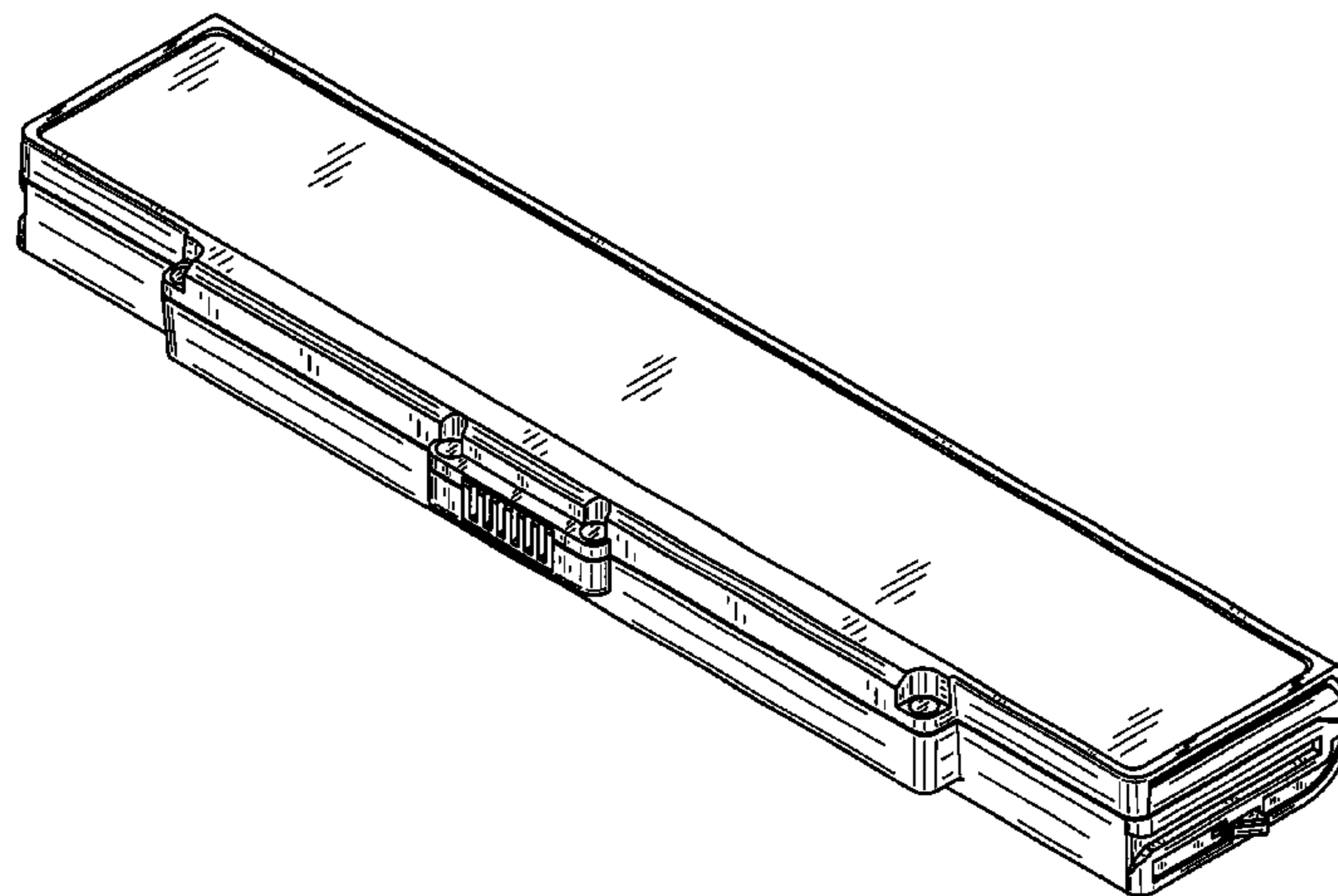


Fig.1

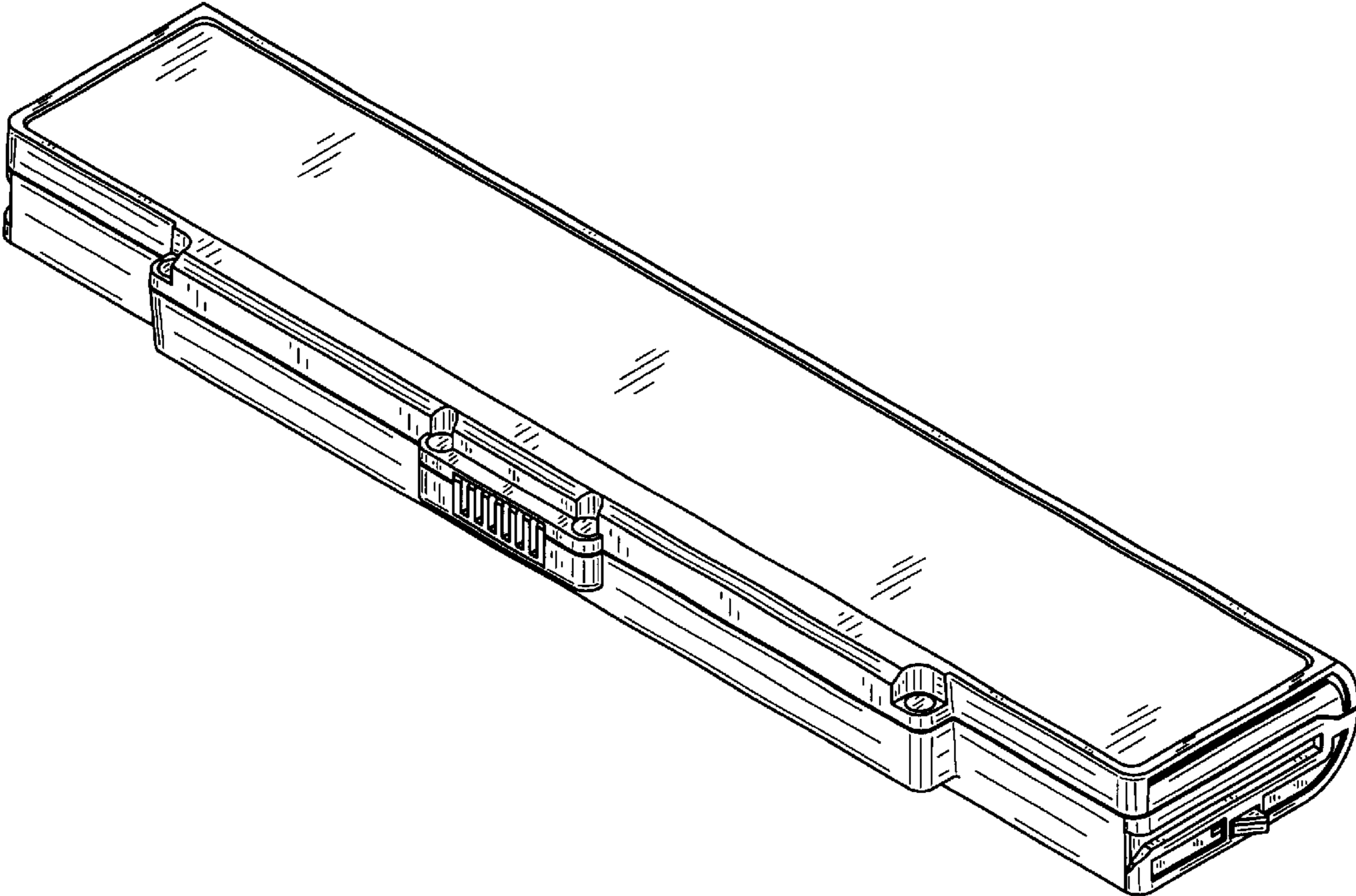


Fig.2

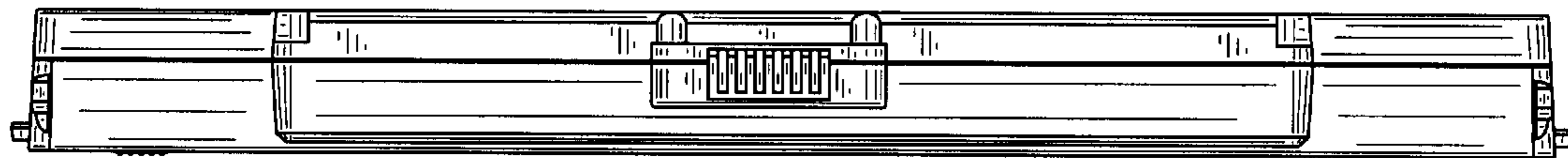


Fig.3

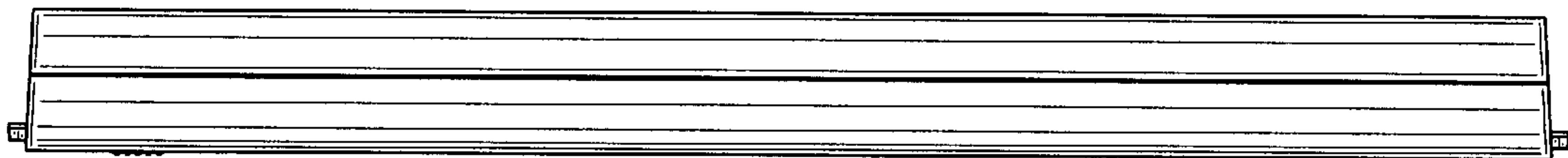


Fig.4

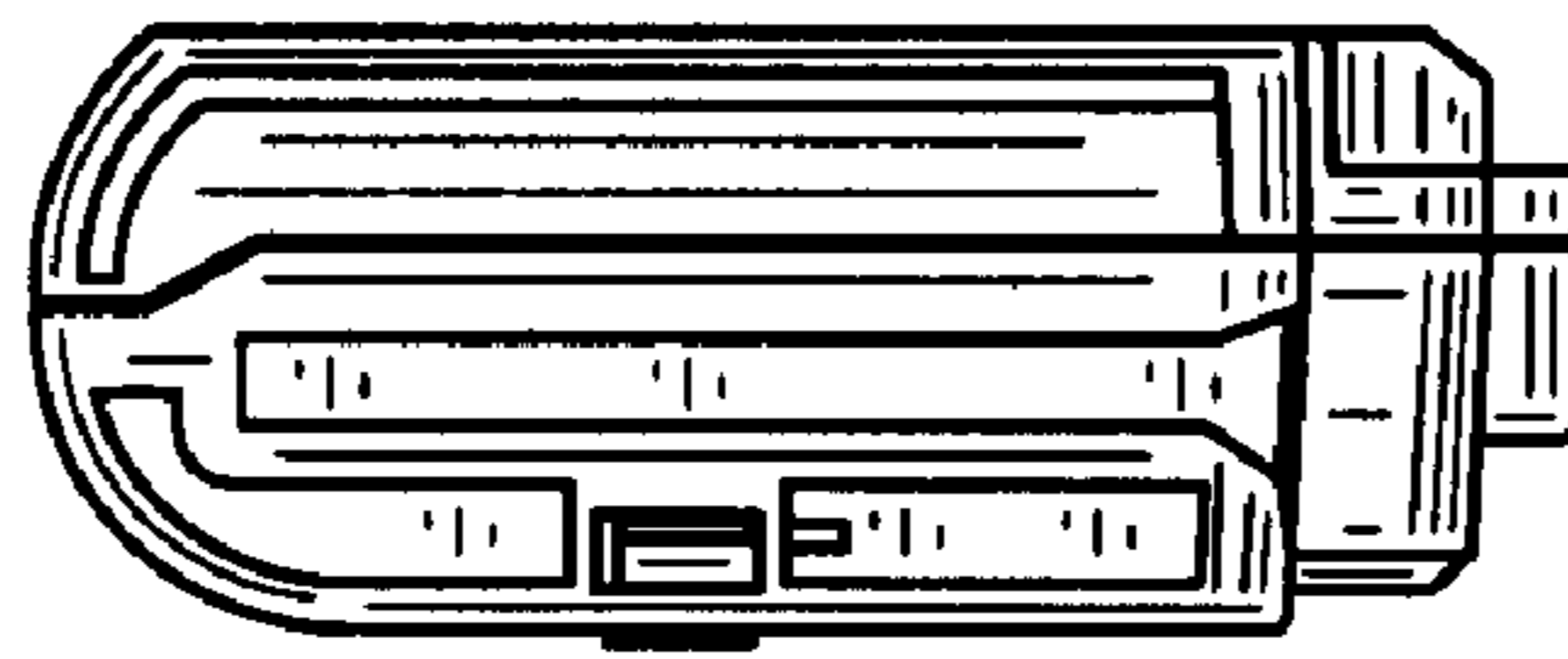


Fig.5

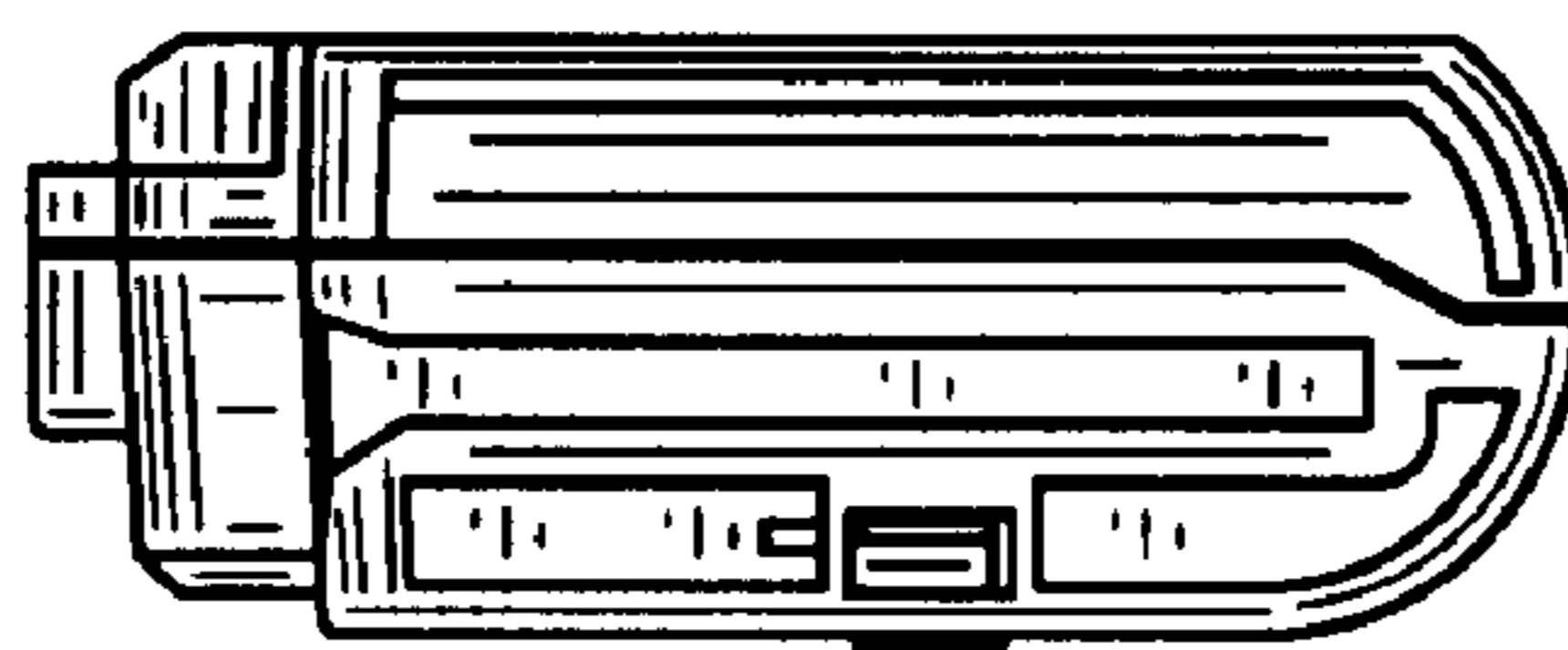


Fig.6

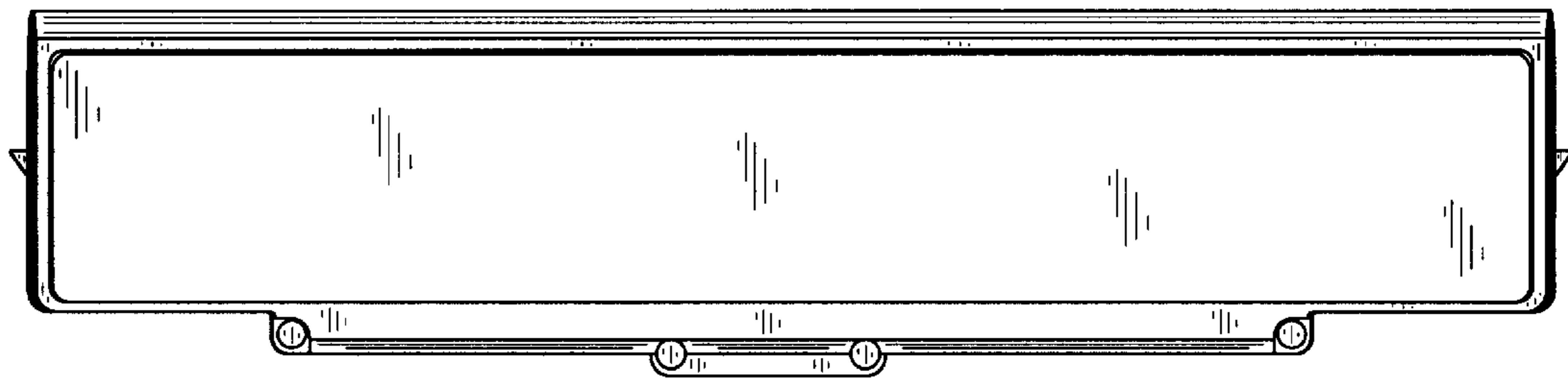


Fig.7

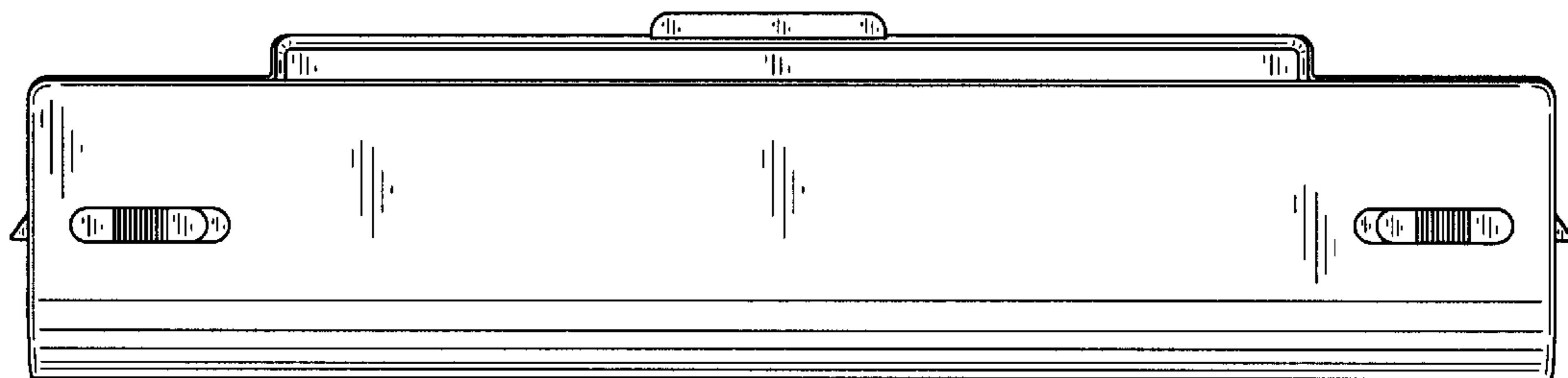


Fig.8

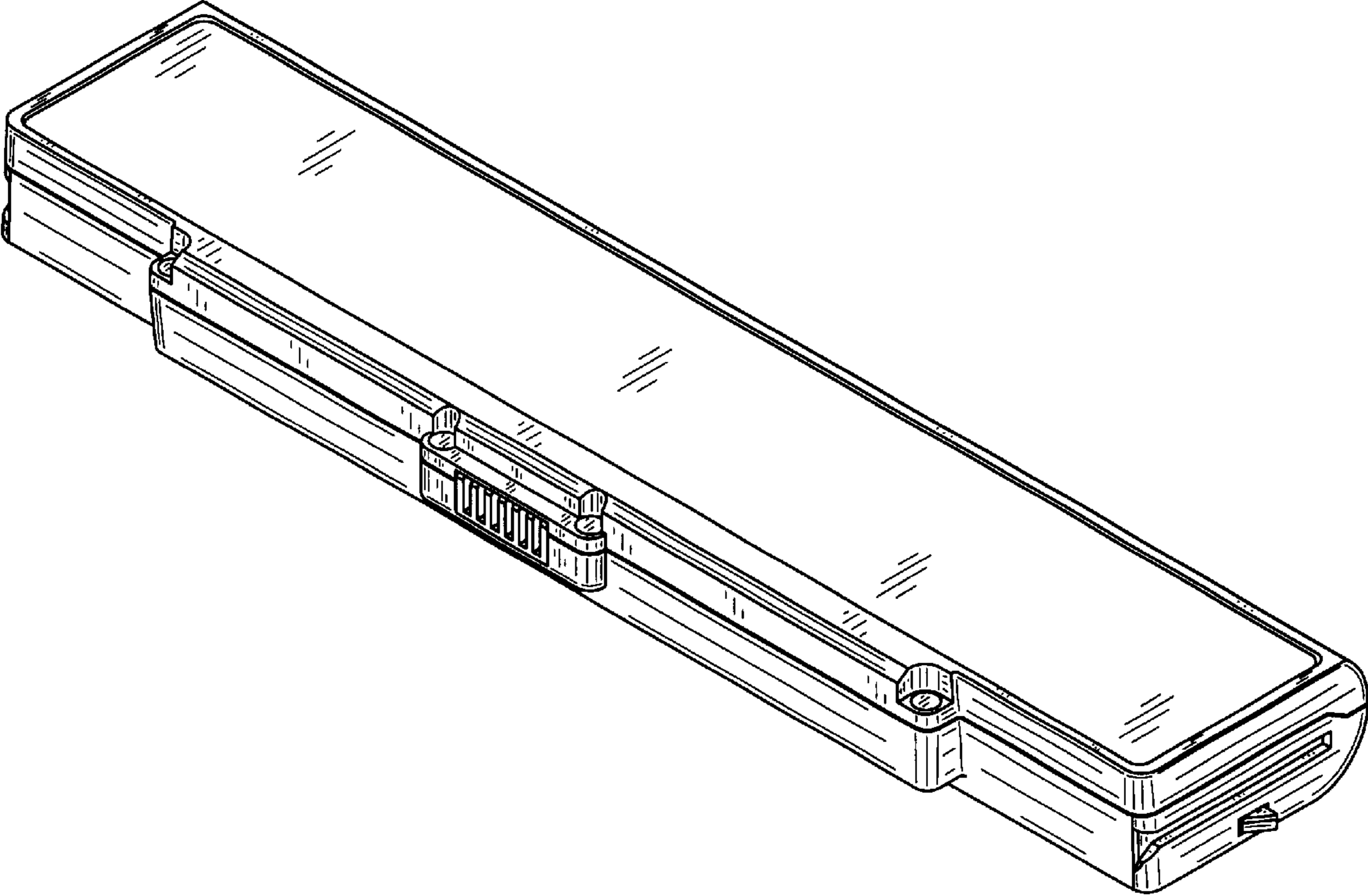


Fig.9

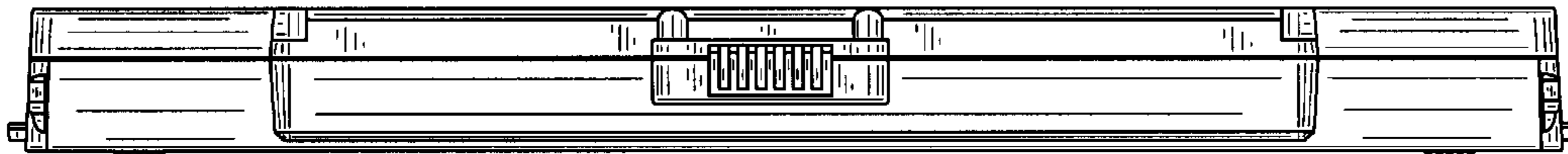


Fig.10

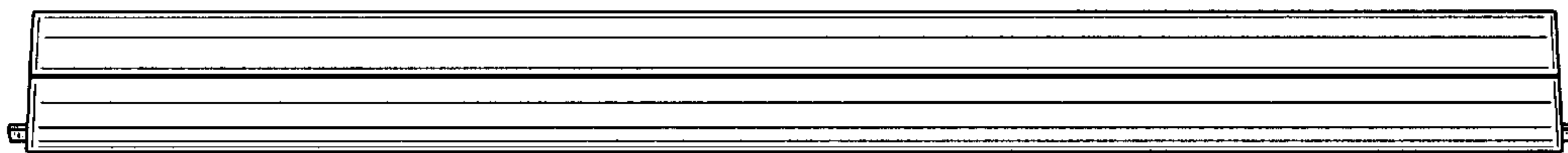


Fig.11

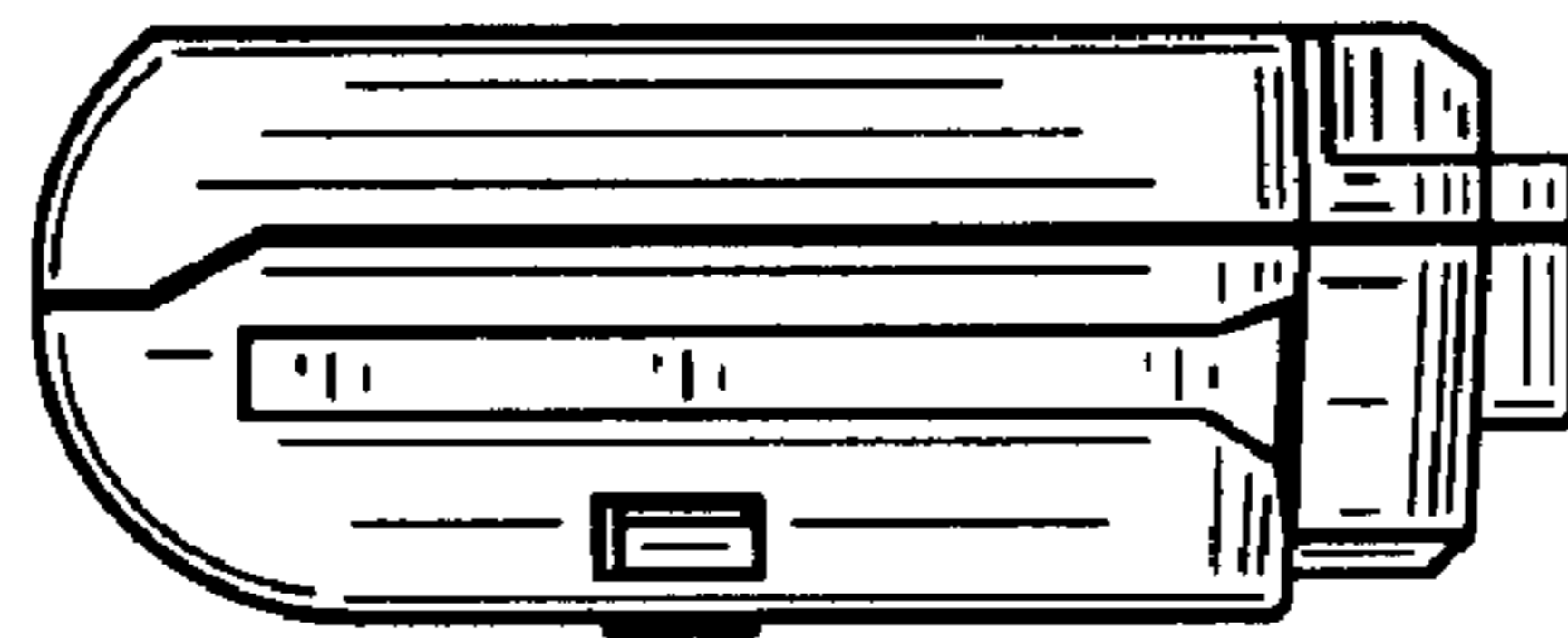


Fig.12

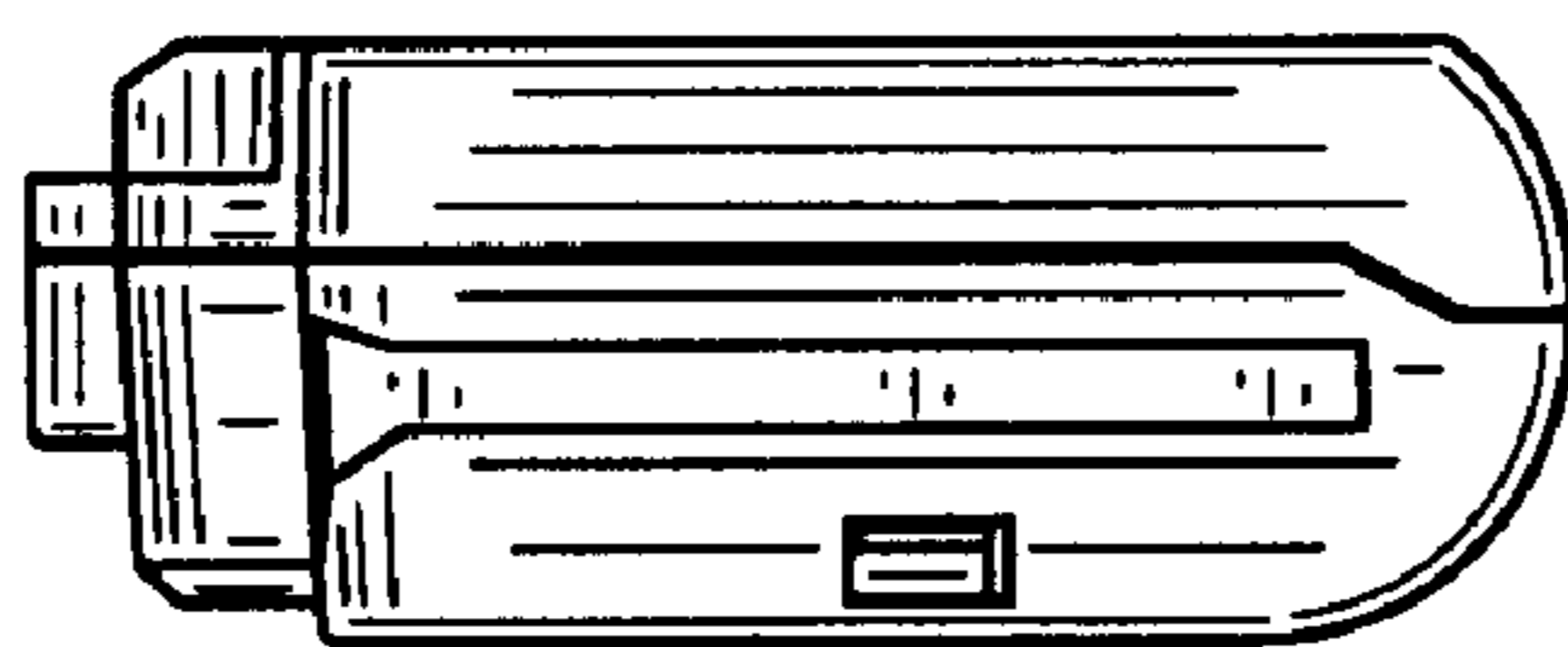


Fig.13

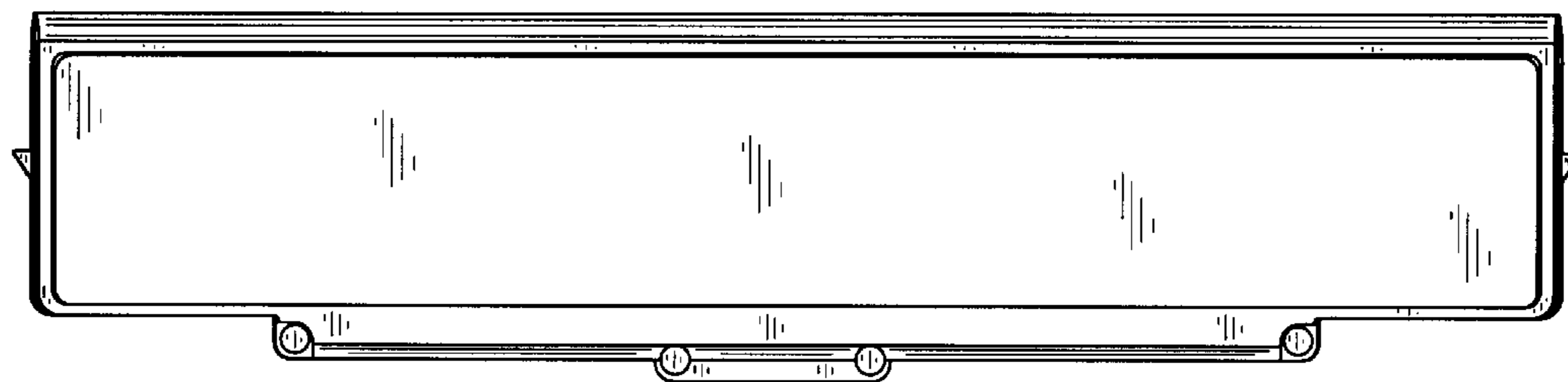


Fig.14

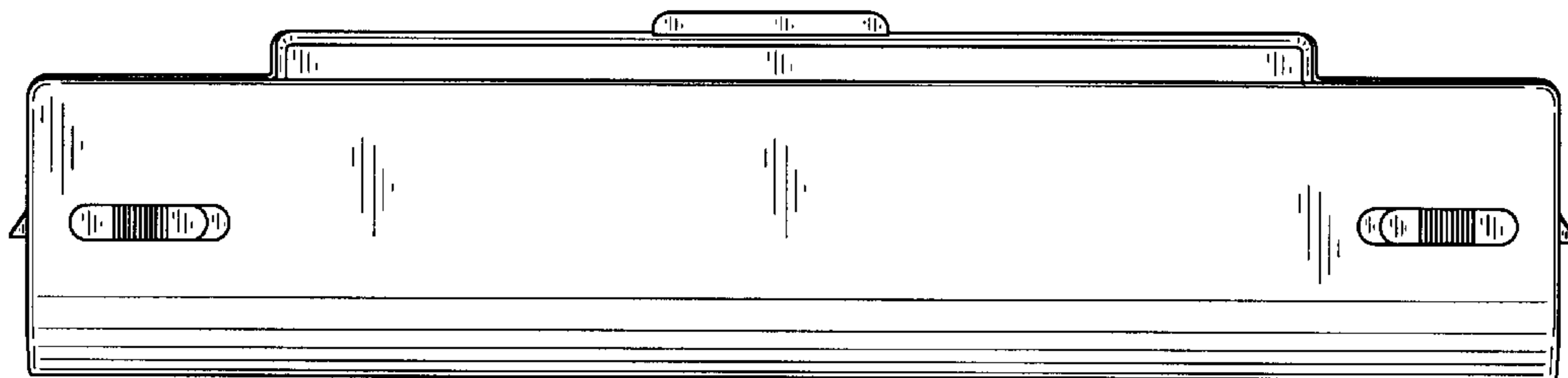


Fig.15

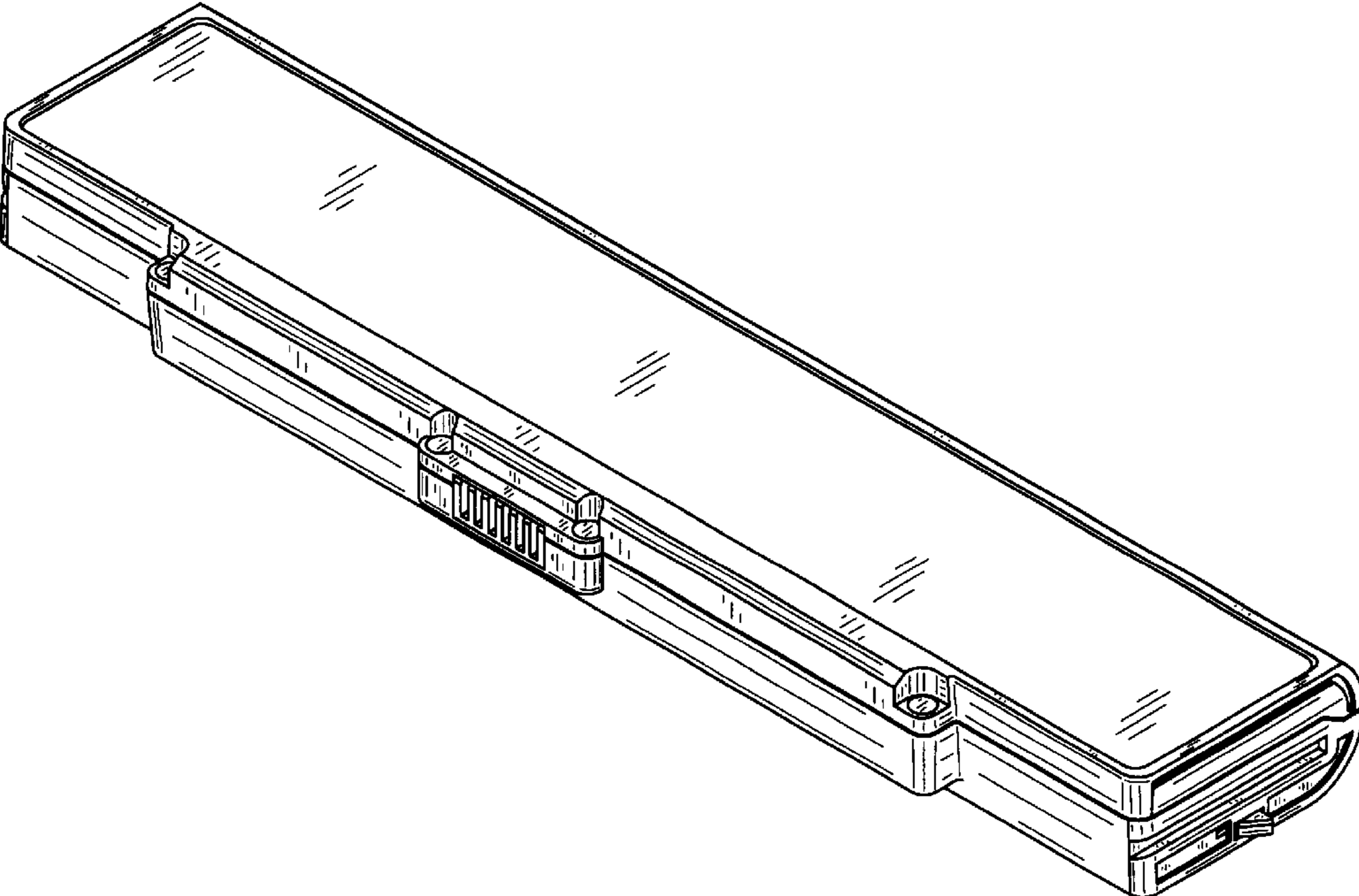


Fig.16

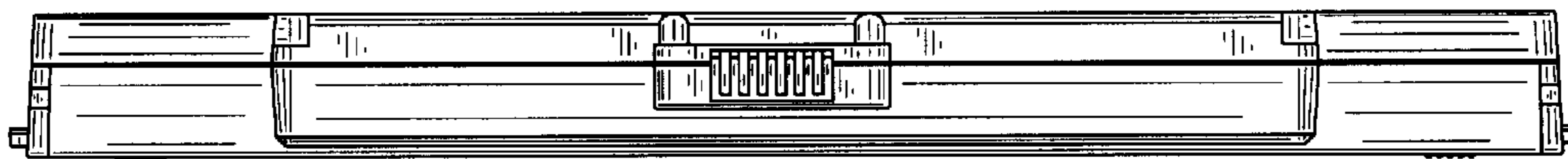


Fig.17

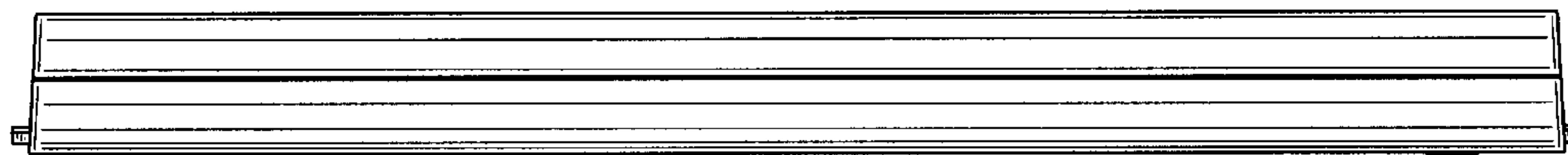


Fig.18

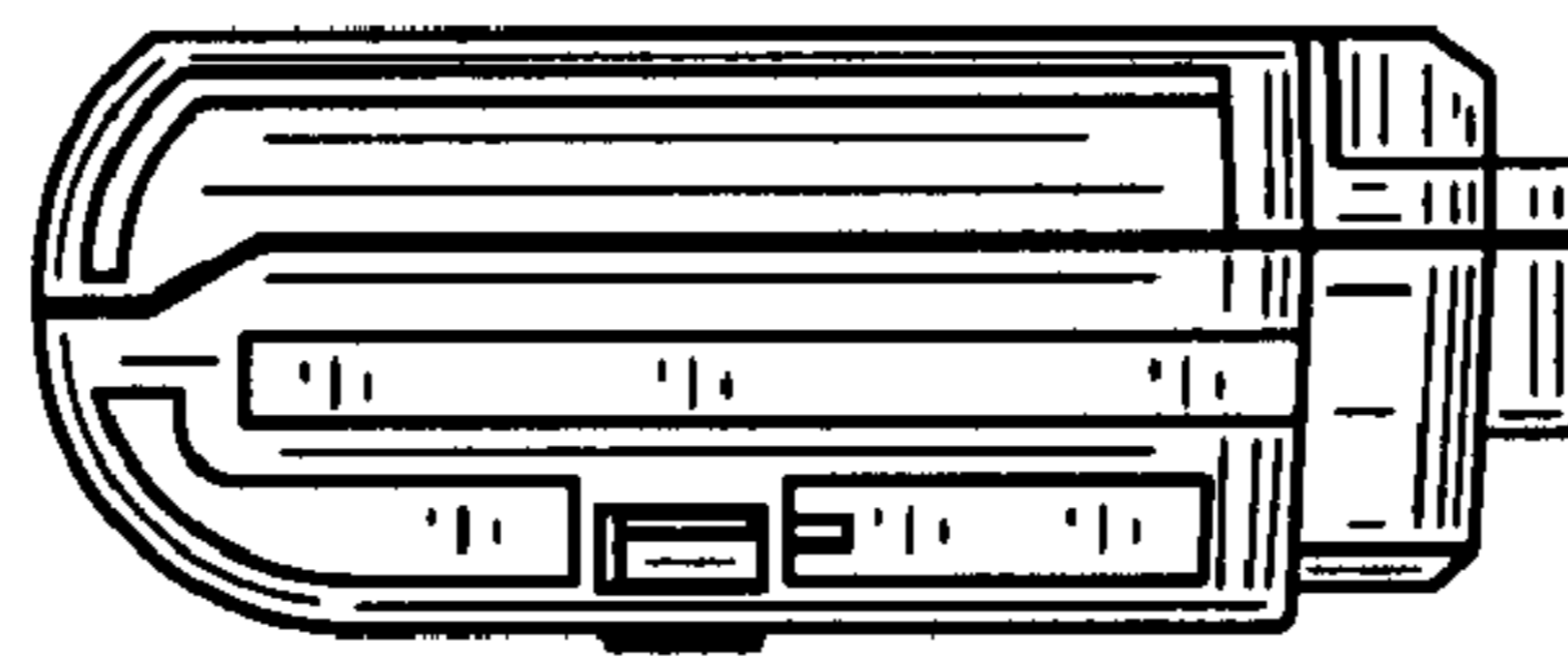


Fig.19

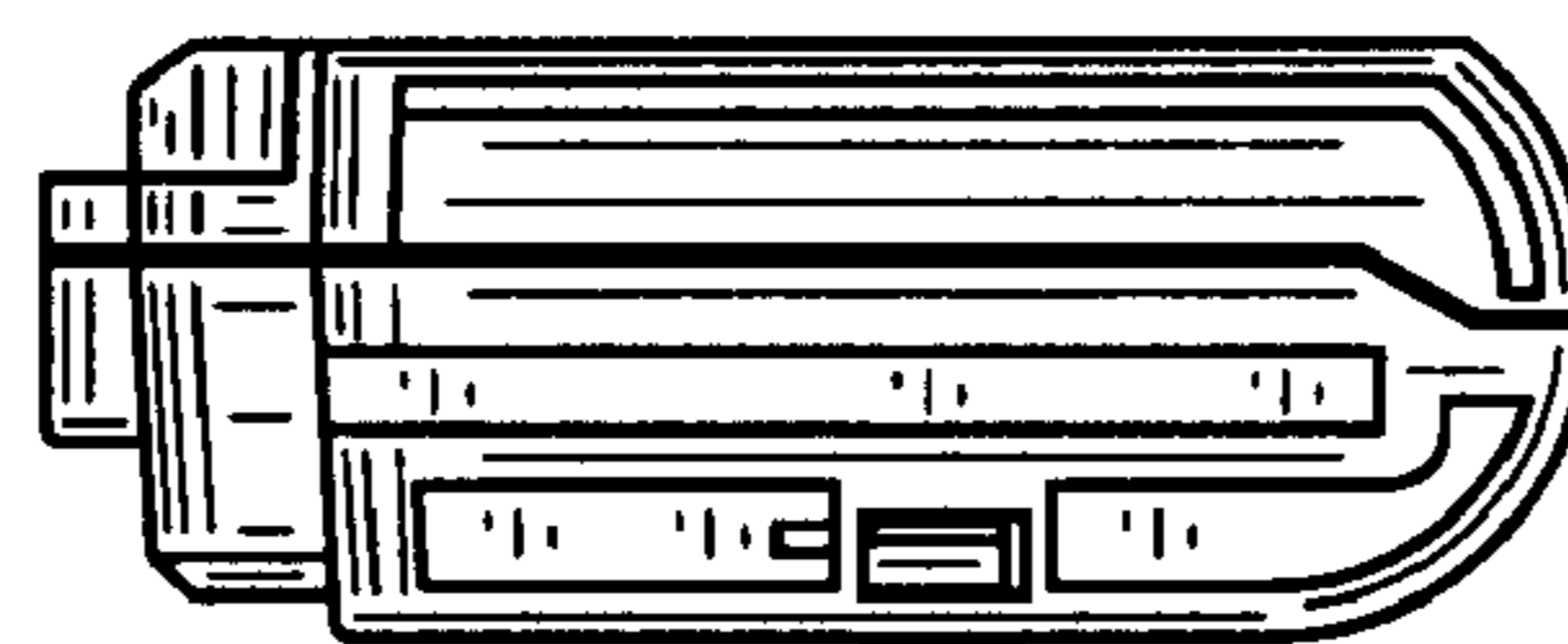


Fig.20

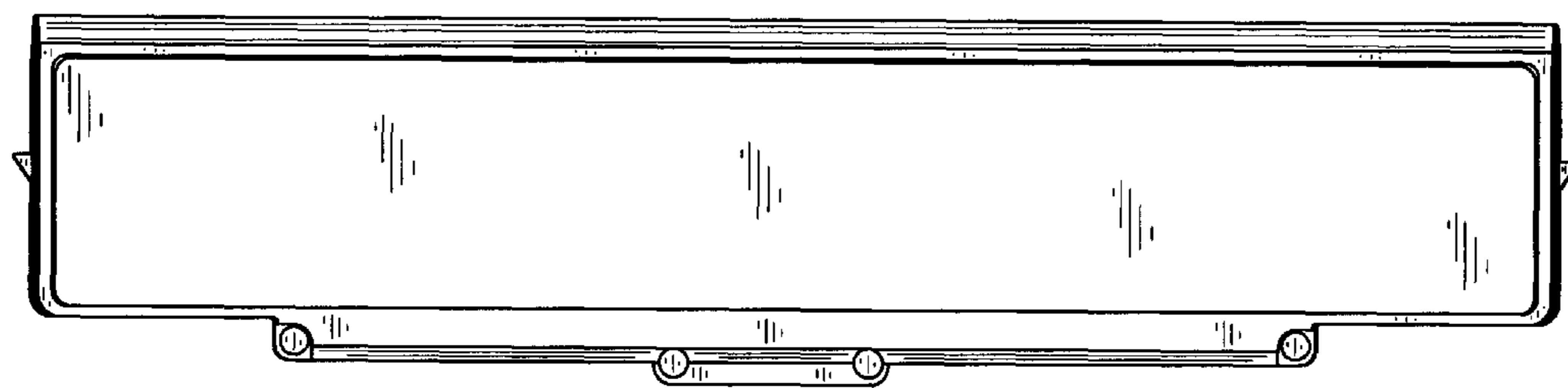


Fig.21

