



US00D517464S

(12) **United States Design Patent**
McCutcheon et al.

(10) **Patent No.:** **US D517,464 S**
(45) **Date of Patent:** **** Mar. 21, 2006**

(54) **DUAL SIDE VIEW MIRROR**

(76) Inventors: **Robert Lewis McCutcheon**, 1889 Gay Rd., Greenville, GA (US) 30222; **Carla Francine McCutcheon**, 1889 Gay Rd., Greenville, GA (US) 30222

(**) Term: **14 Years**

(21) Appl. No.: **29/211,187**

(22) Filed: **Nov. 15, 2004**

(51) **LOC (8) Cl.** **12-16**

(52) **U.S. Cl.** **D12/187**

(58) **Field of Classification Search** D12/187-189;
359/838-851, 855-868, 871-881
See application file for complete search history.

(56) **References Cited**

U.S. PATENT DOCUMENTS

5,421,628 A * 6/1995 Nahm 296/1.11
D367,457 S * 2/1996 Fuleihan D12/187

D375,926 S * 11/1996 Snyder D12/187
D405,745 S * 2/1999 Stirling D12/187
D431,219 S * 9/2000 Englander et al. D12/187
D440,922 S * 4/2001 Evers D12/187
D460,934 S * 7/2002 Richardson D12/187

* cited by examiner

Primary Examiner—Melody N. Brown

(57) **CLAIM**

The ornamental design for a dual side view mirror, as shown and described.

DESCRIPTION

FIG. 1 is a front elevation view of a dual side view mirror, showing my new design.

FIG. 2 is a front, top, and left side perspective view thereof;

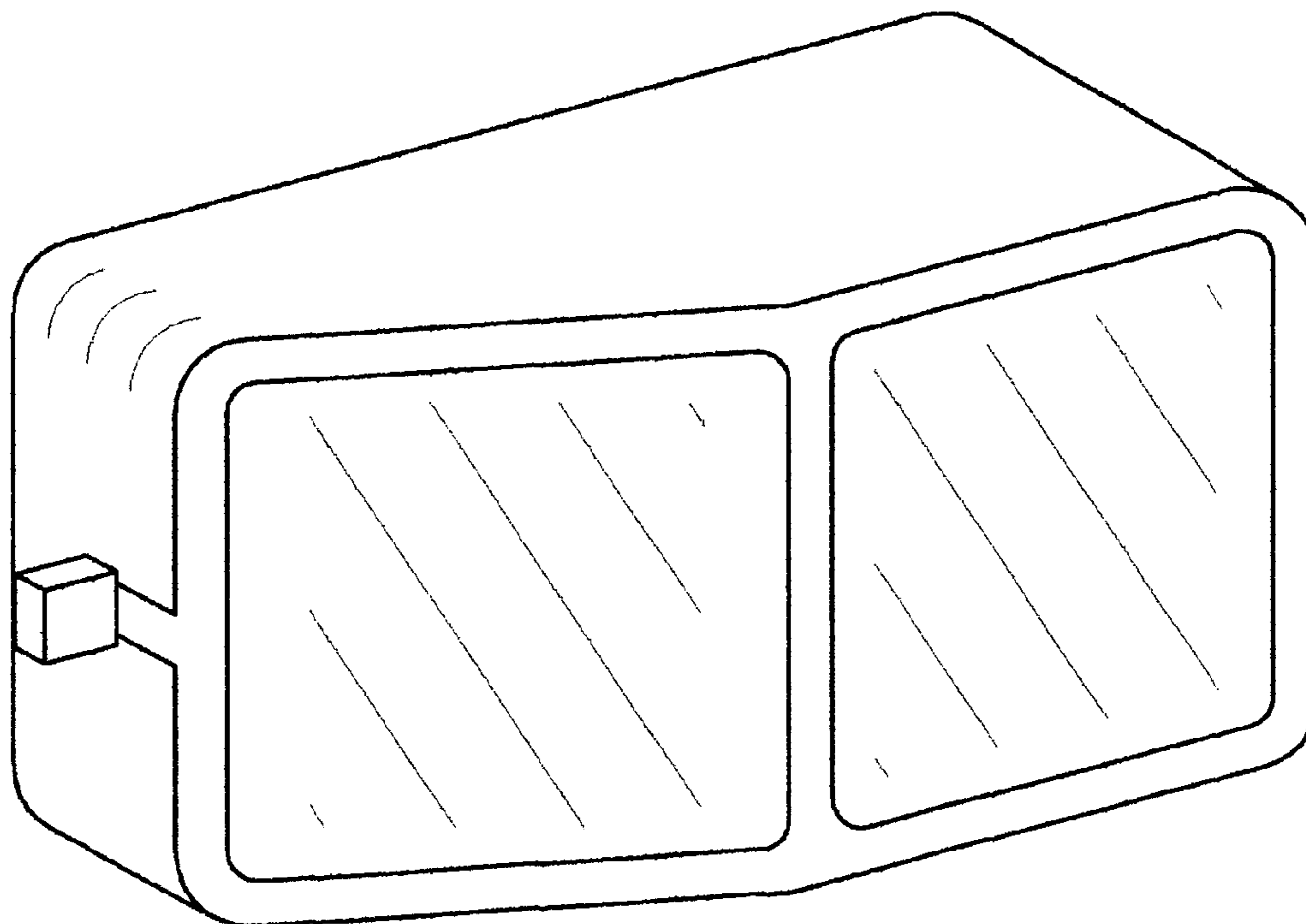
FIG. 3 is a front, top, and right side perspective view thereof;

FIG. 4 is a top plain view thereof;

FIG. 5 is a bottom plain view thereof; and,

FIG. 6 is a rear elevation view thereof.

1 Claim, 2 Drawing Sheets



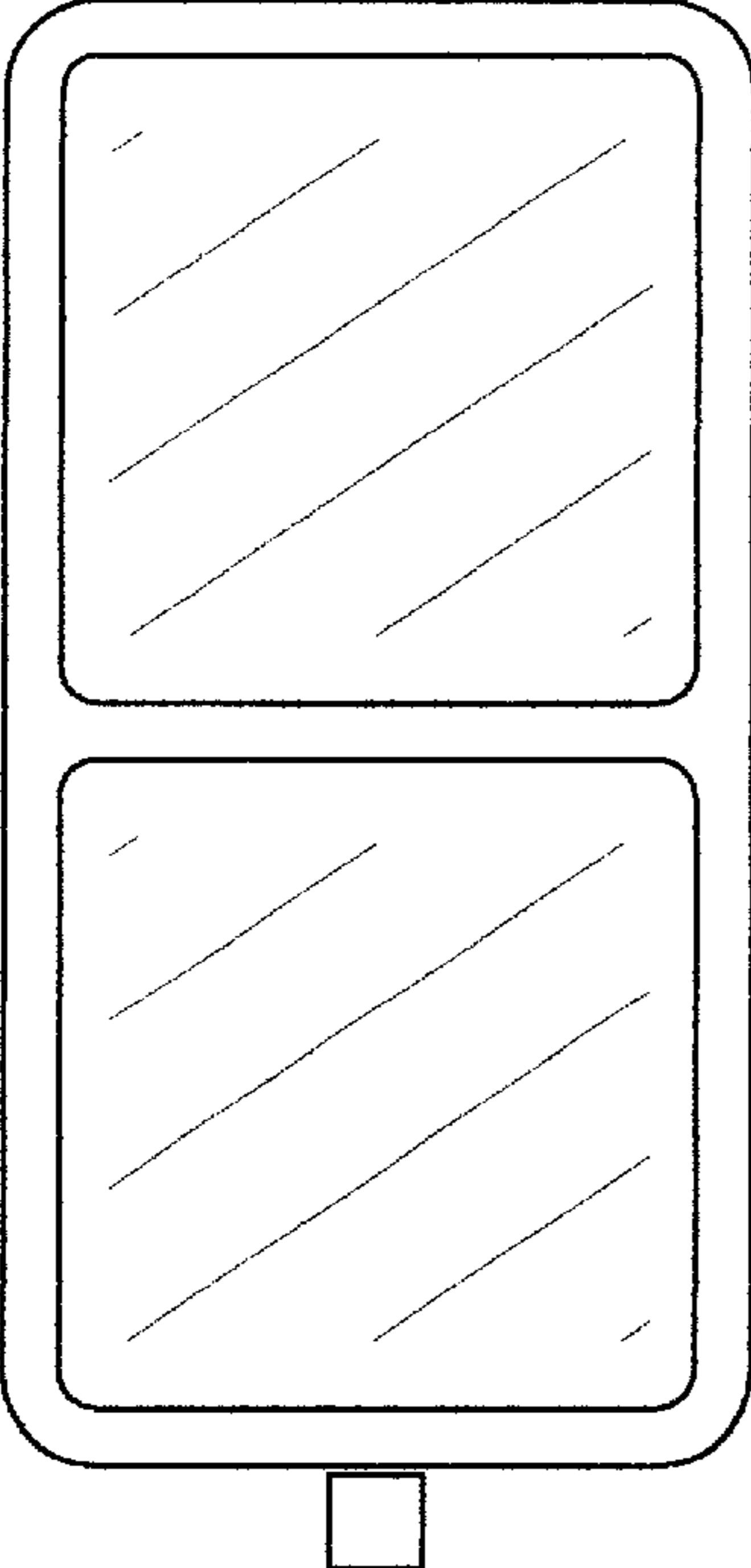


Fig.1

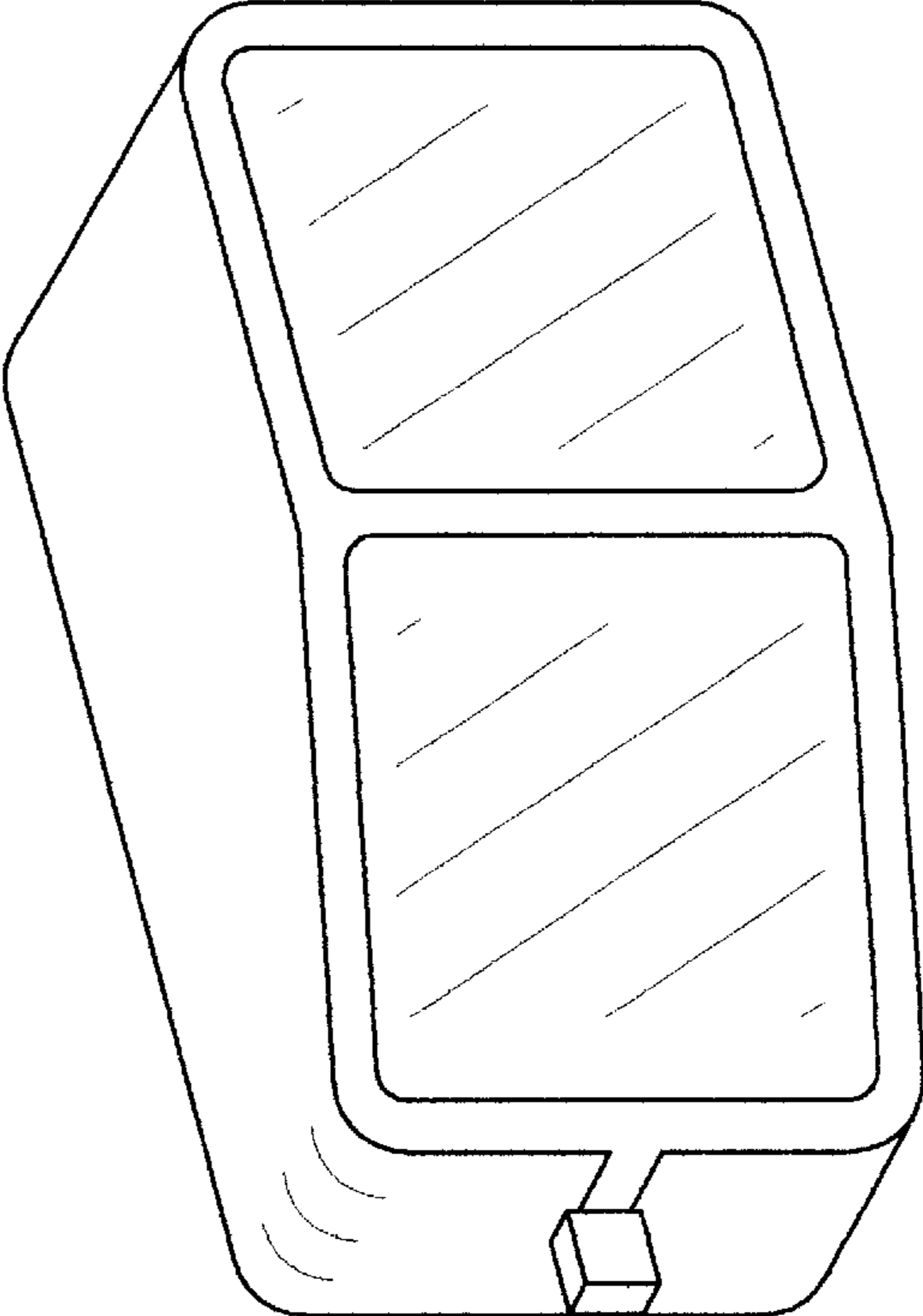


Fig.2

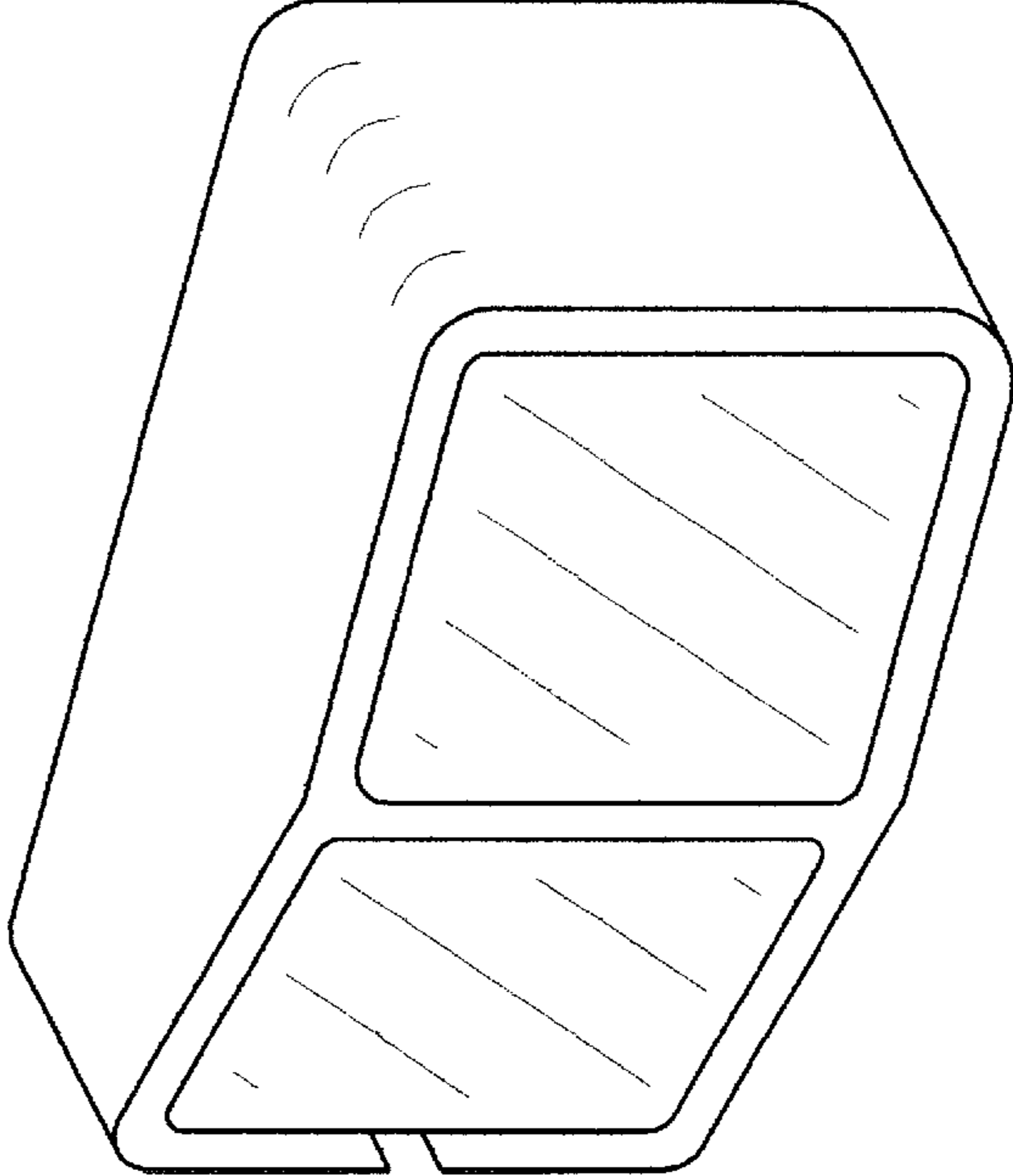


Fig.3

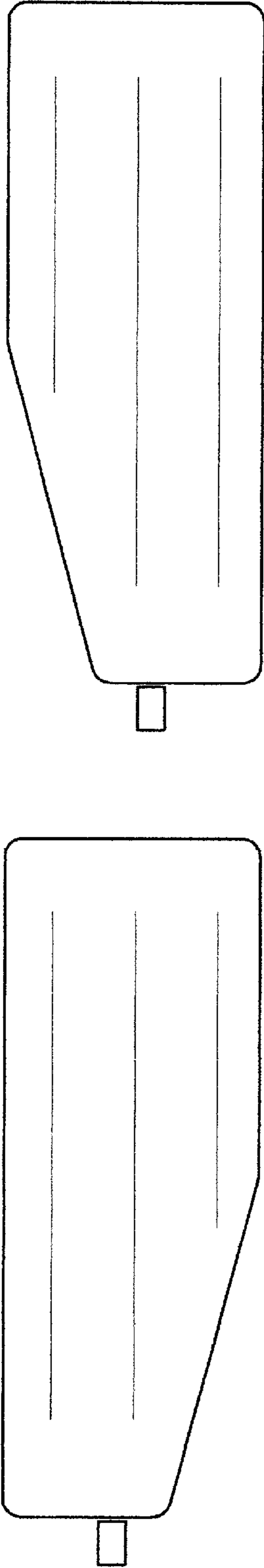


Fig.5

Fig.4

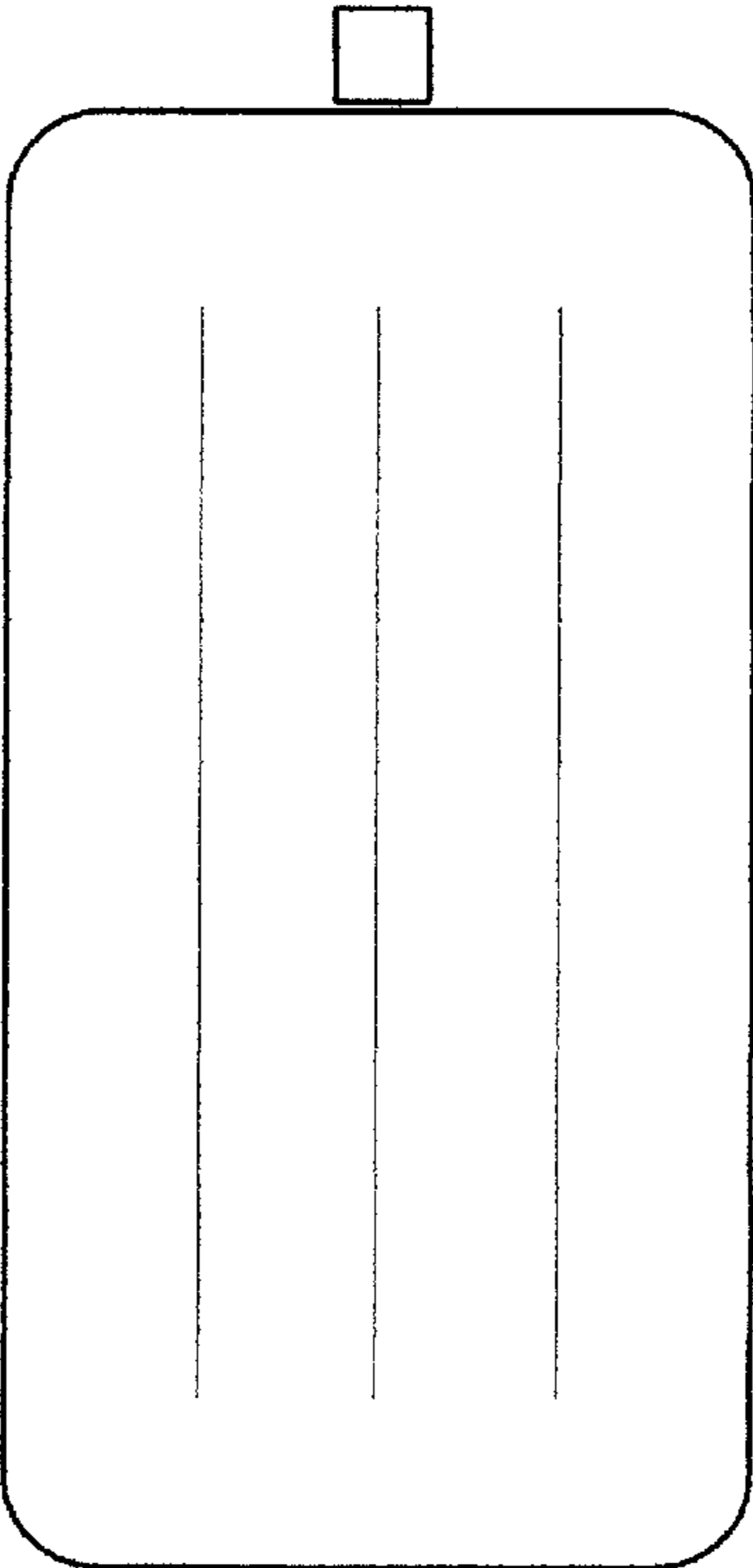


Fig.6