



US00D517462S

(12) **United States Design Patent**
Castiglione et al.

(10) **Patent No.:** **US D517,462 S**
(45) **Date of Patent:** **** Mar. 21, 2006**

(54) **TRANSMISSION SHIFTER**

D491,499 S * 6/2004 Wainwright D12/179
D505,368 S * 5/2005 Furuya D12/179

(75) Inventors: **Micheal R Castiglione**, Carlsbad, CA (US); **Robert J. Pitt**, Oceanside, CA (US); **Kevin R Verduyn**, Carlsbad, CA (US); **Freeman J Thomas**, Carlsbad, CA (US); **Trevor M Creed**, West Bloomfield, MI (US); **Thomas G Tremont**, Birmingham, MI (US)

* cited by examiner

Primary Examiner—Melody N. Brown
(74) *Attorney, Agent, or Firm*—Ralph E. Smith

(73) Assignee: **DaimlerChrysler Corporation**, Auburn Hills, MI (US)

(57) **CLAIM**

The ornamental design for a transmission shifter, as shown and described.

(**) Term: **14 Years**

DESCRIPTION

(21) Appl. No.: **29/211,299**

FIG. 1 is a front perspective view of a transmission shifter showing our new design;

(22) Filed: **Aug. 13, 2004**

FIG. 2 is a side view thereof;

(51) **LOC (8) Cl.** **12-16**

FIG. 3 is a top view thereof;

(52) **U.S. Cl.** **D12/179**

FIG. 4 is a front thereof; and,

(58) **Field of Classification Search** D12/179;
D8/303, 305; 74/475, 489, 512, 523, 473.16
See application file for complete search history.

FIG. 5 is a rear view thereof.

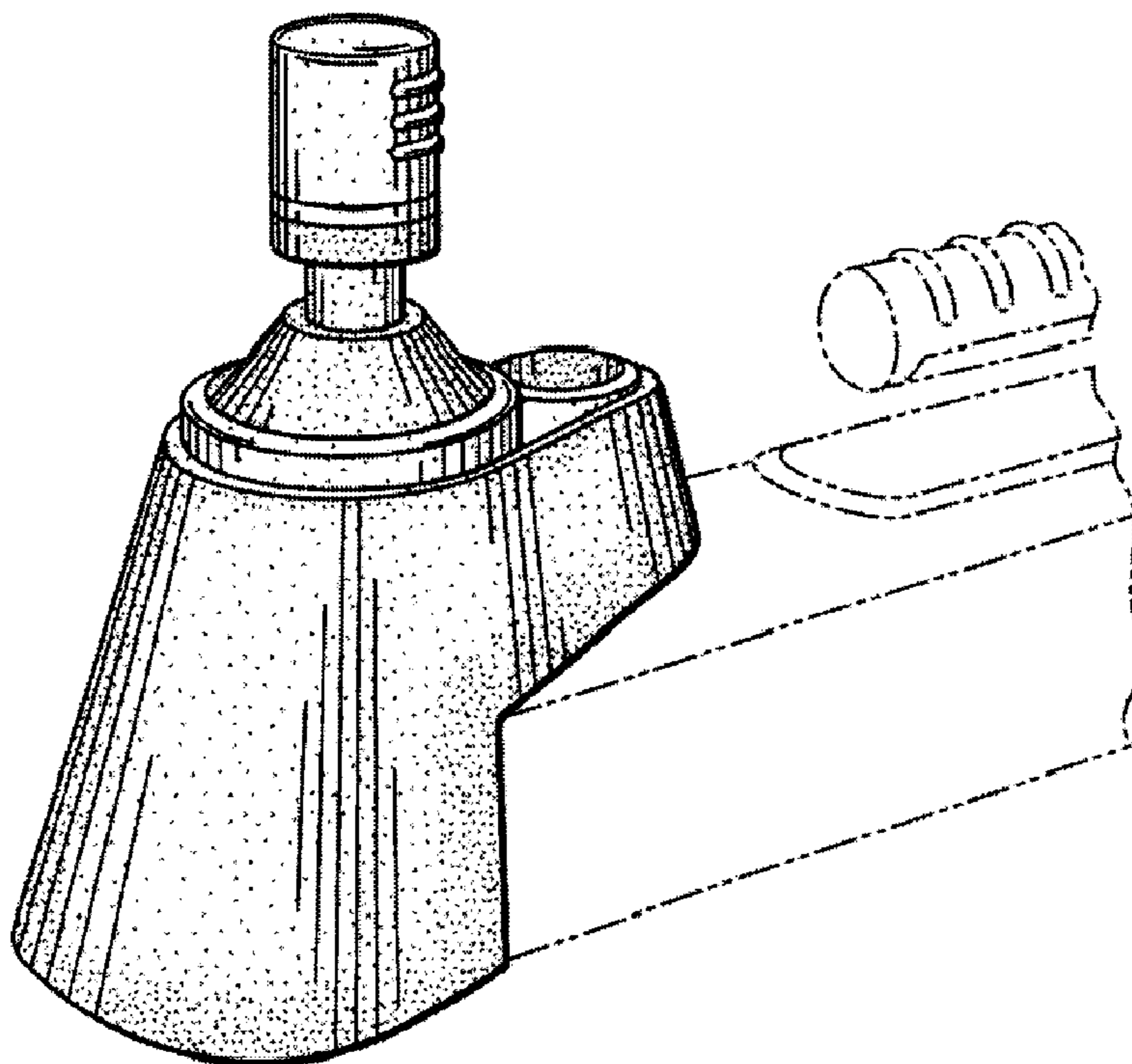
It will be understood that the dashed lines presented in the drawings are for illustration only, and do not form a part of the claimed design.

(56) **References Cited**

U.S. PATENT DOCUMENTS

D449,809 S * 10/2001 Carlson D12/179

1 Claim, 1 Drawing Sheet



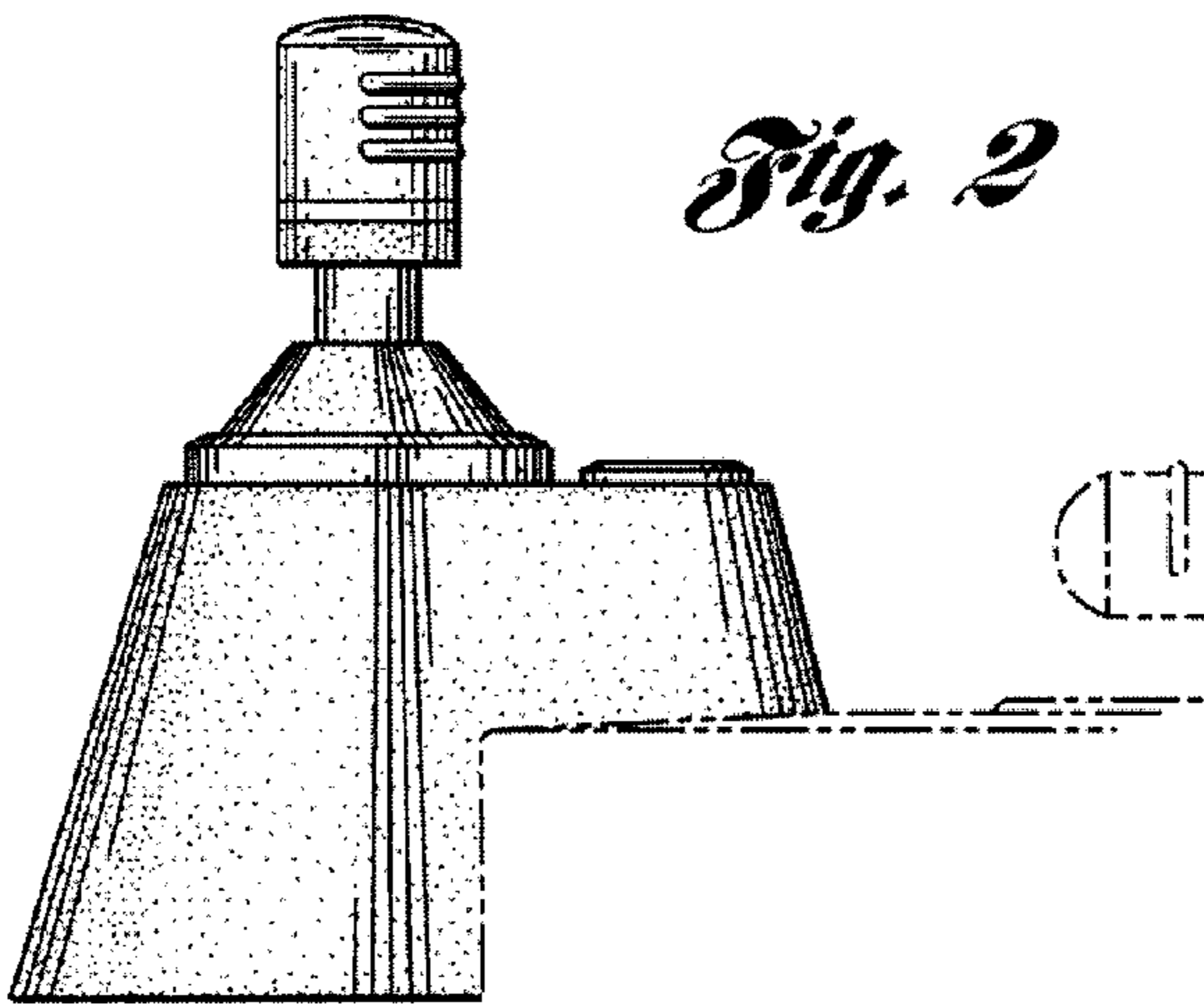
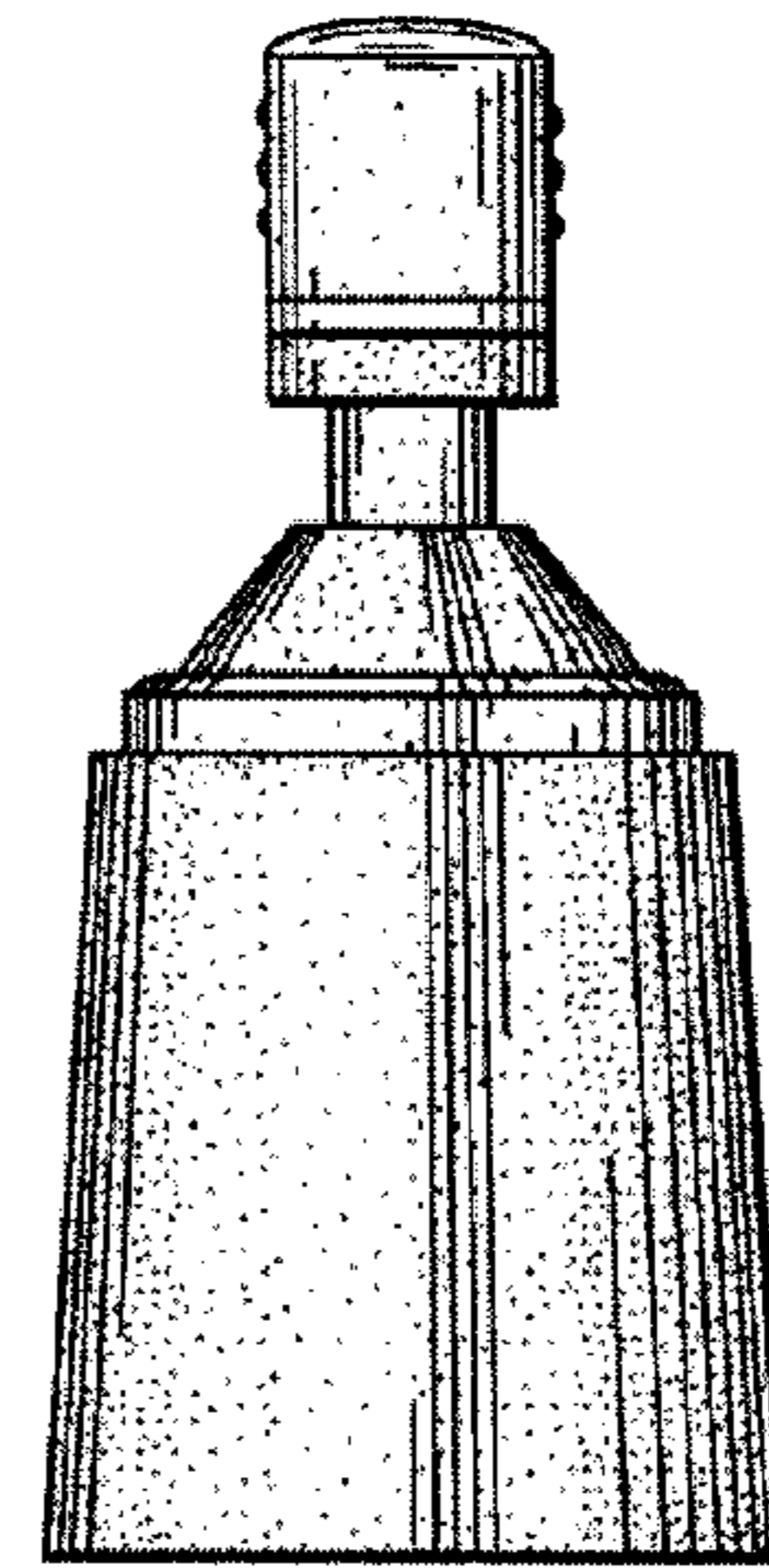
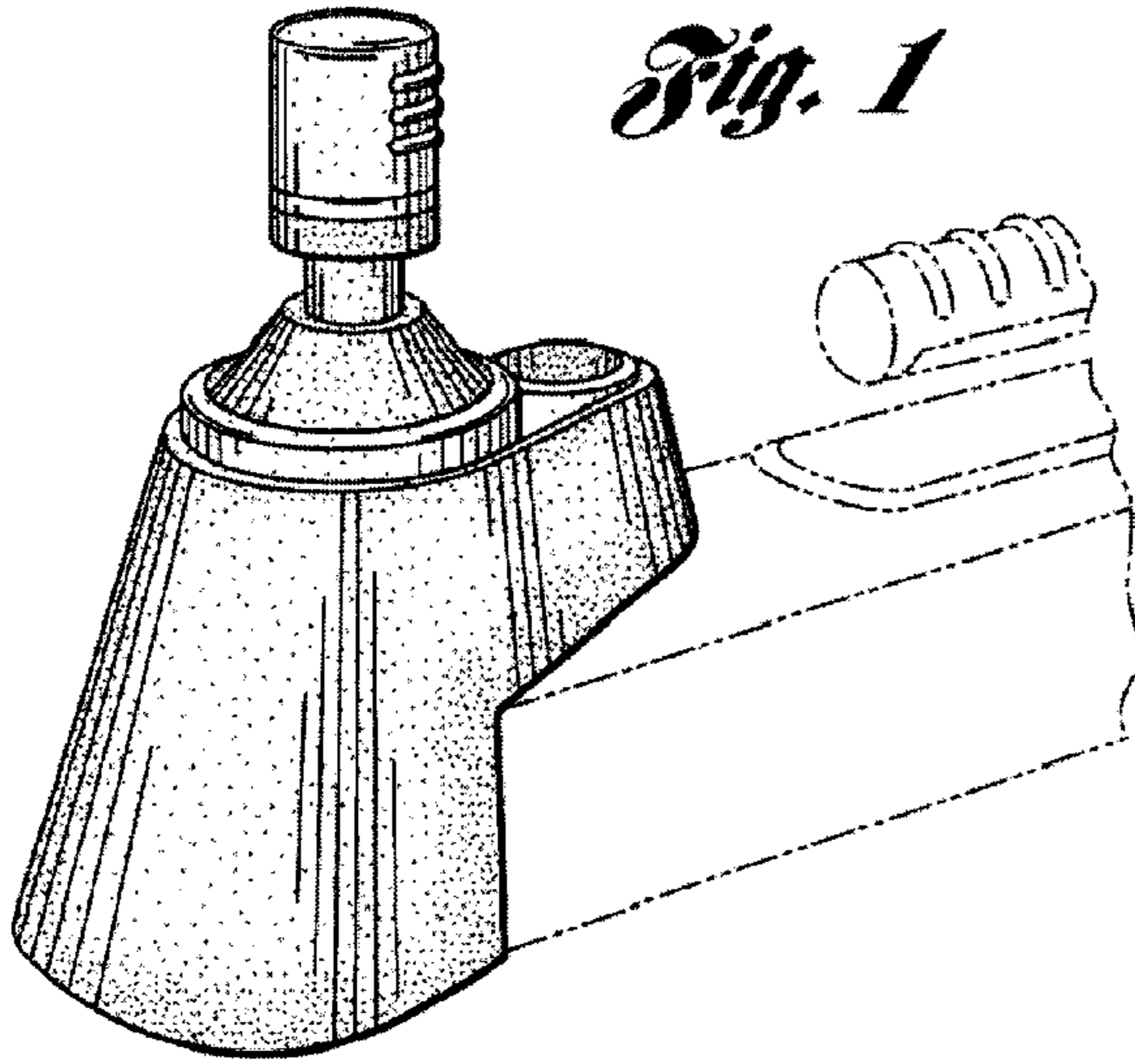


Fig. 4

