



US00D517461S

(12) **United States Design Patent**
Tatsumi

(10) **Patent No.:** **US D517,461 S**
(45) **Date of Patent:** **** Mar. 21, 2006**

(54) **AUTOMOBILE PEDAL COVER**
(75) **Inventor:** **Gotaro Tatsumi, Tokyo (JP)**
(73) **Assignee:** **Carmate Mfg. Co., Ltd., Tokyo (JP)**
(**) **Term:** **14 Years**

D443,570 S * 6/2001 Saleen D12/174
D486,103 S * 2/2004 Watanabe D12/174
D486,104 S * 2/2004 Watanabe D12/174
D486,433 S * 2/2004 Watanabe D12/174

* cited by examiner

(21) **Appl. No.:** **29/223,270**
(22) **Filed:** **Feb. 14, 2005**
(30) **Foreign Application Priority Data**

Primary Examiner—Melody N. Brown
(74) *Attorney, Agent, or Firm*—Young & Thompson

Aug. 31, 2004 (JP) 2004-026087

(51) **LOC (8) Cl.** **12-16**
(52) **U.S. Cl.** **D12/174**
(58) **Field of Classification Search** D12/174,
D12/125; 74/560-563, 512; 280/259; 403/257
See application file for complete search history.

(57) **CLAIM**

The ornamental design for an automobile pedal cover, as shown and described.

(56) **References Cited**

DESCRIPTION

U.S. PATENT DOCUMENTS

D424,487 S * 5/2000 Asakura D12/174

FIG. 1 is a front perspective view of an automobile pedal cover showing my new design;
FIG. 2 is a top plan view thereof;
FIG. 3 is a front elevational view thereof;
FIG. 4 is a left side elevational view thereof;
FIG. 5 is a right side elevational view thereof;
FIG. 6 is a rear elevational view thereof; and,
FIG. 7 is a bottom plan view thereof.

1 Claim, 4 Drawing Sheets

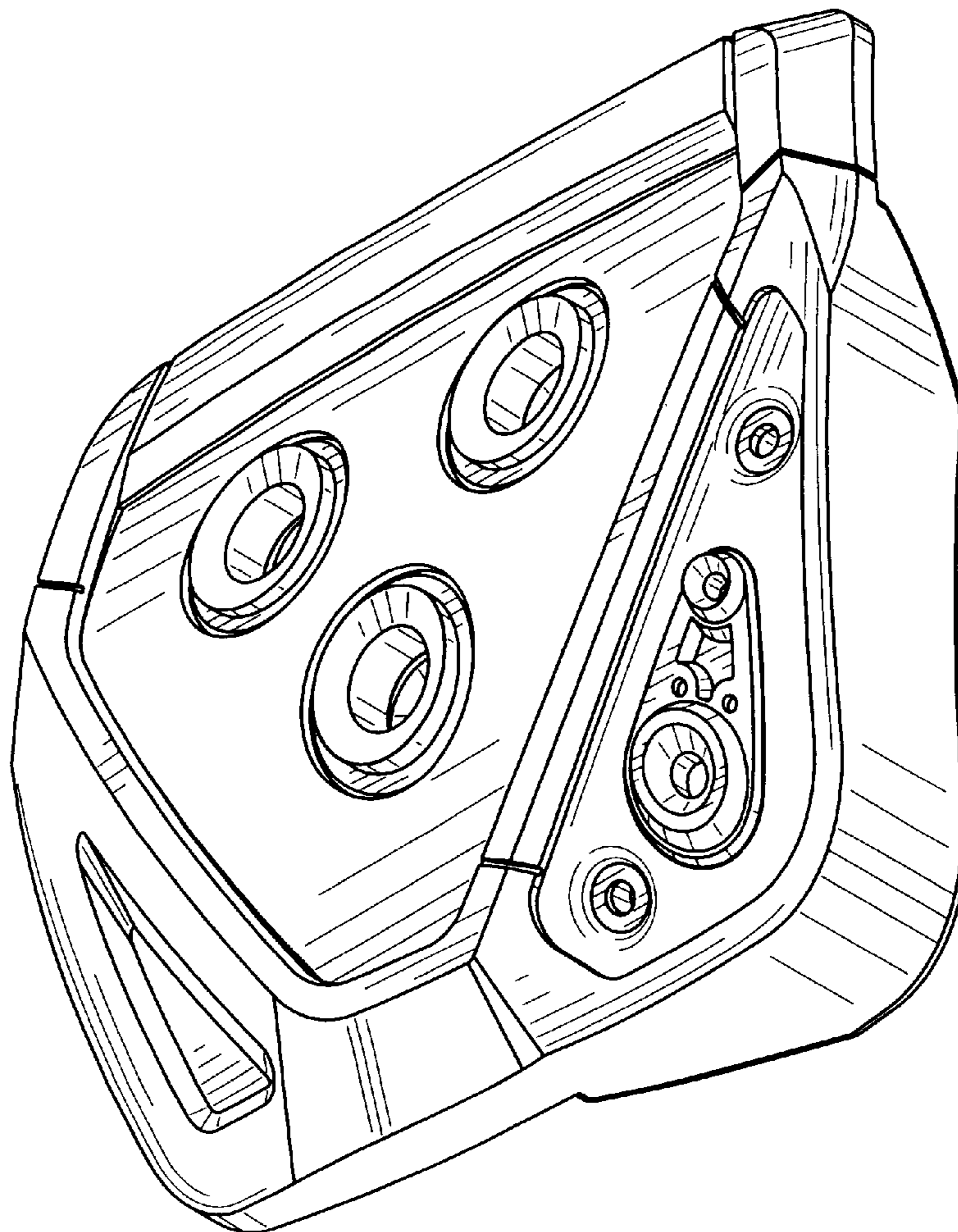


FIG. 1

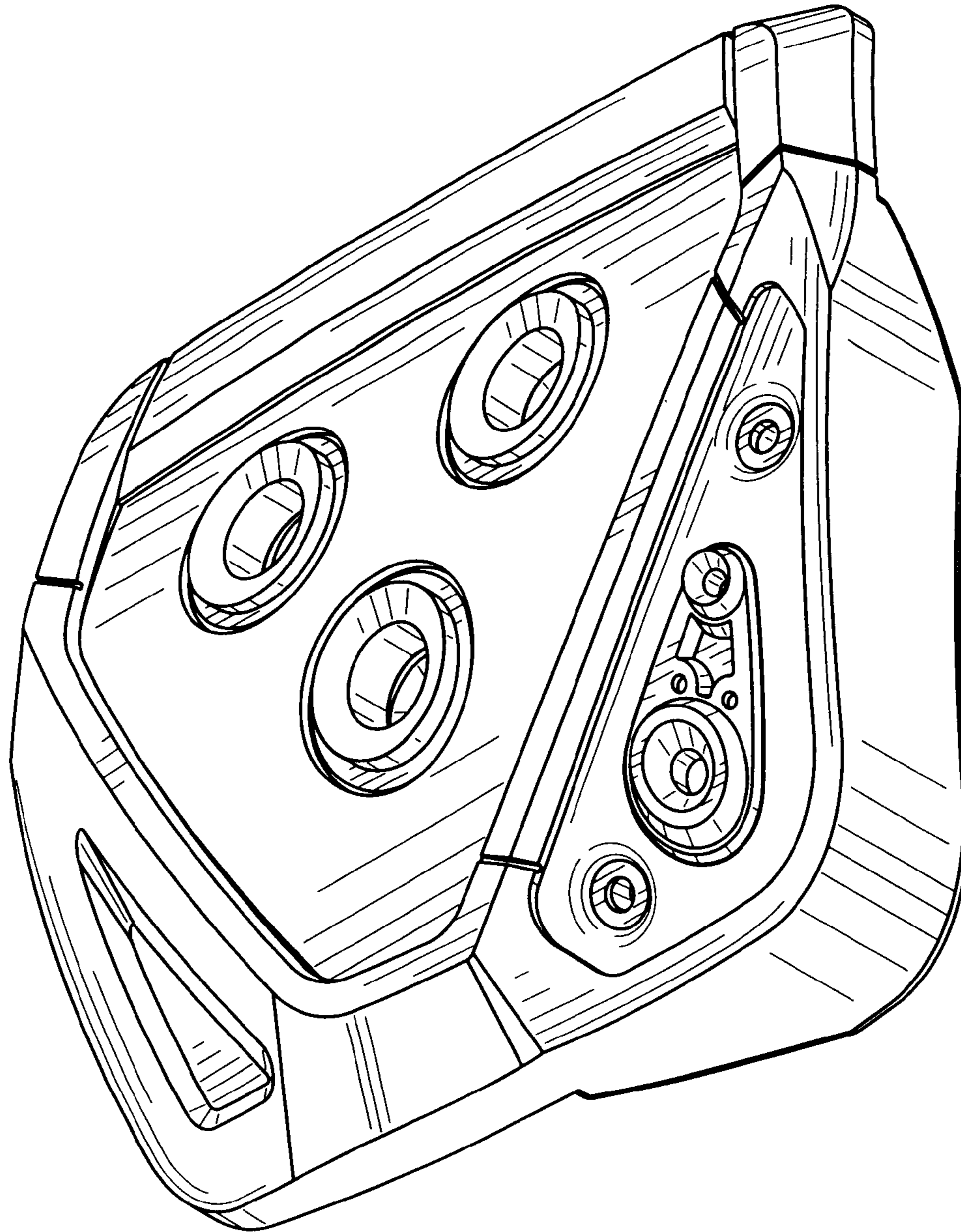


FIG. 2

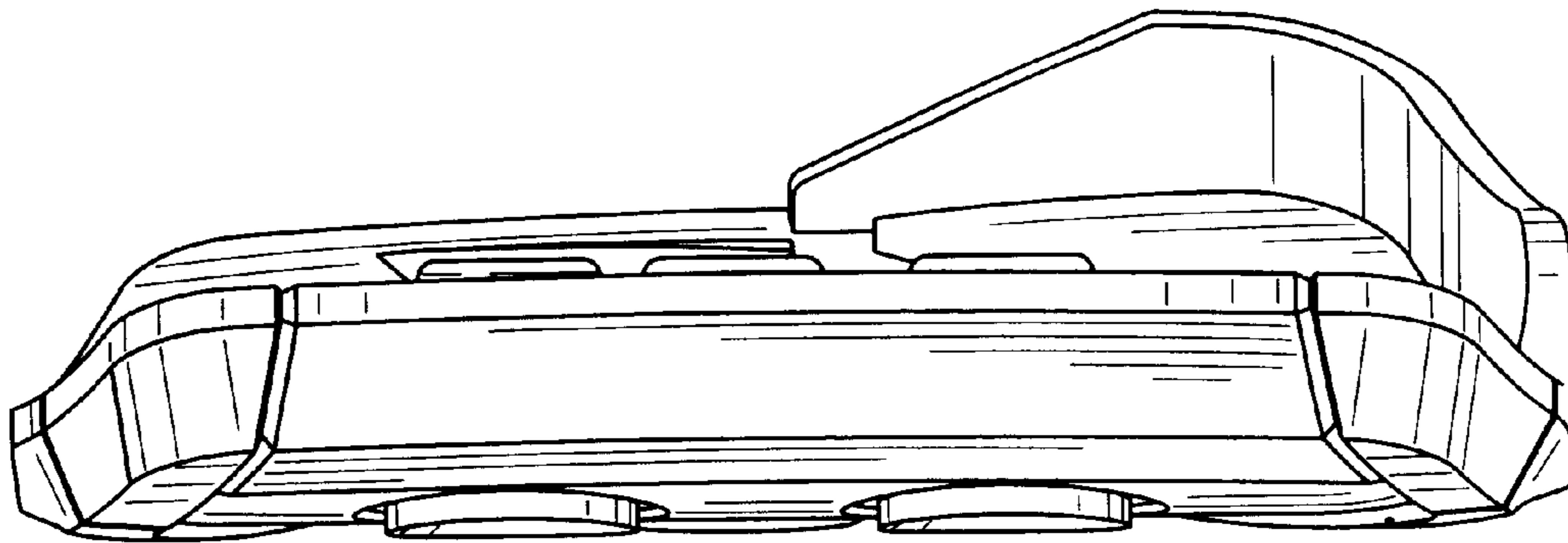


FIG. 3

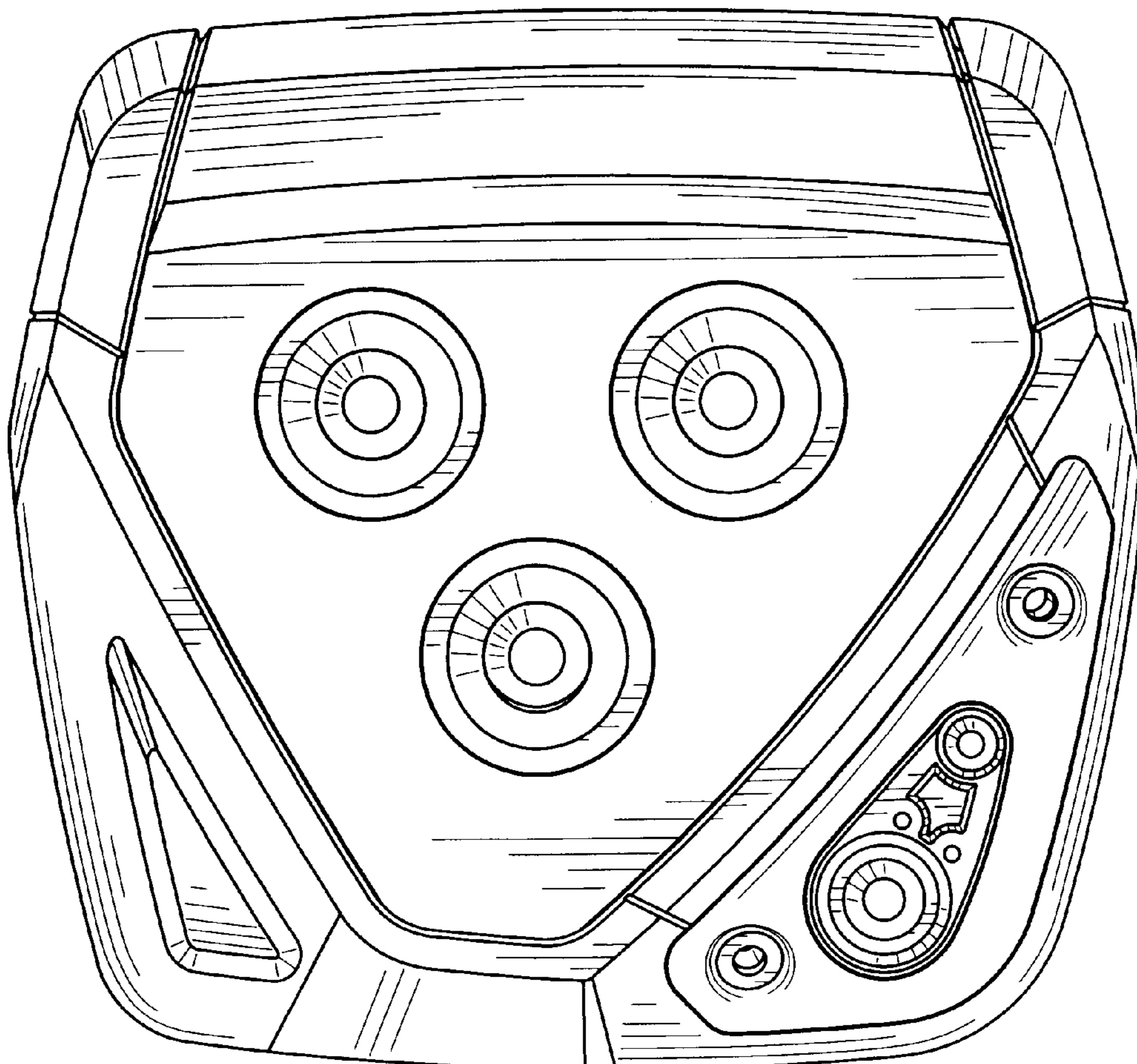


FIG. 4

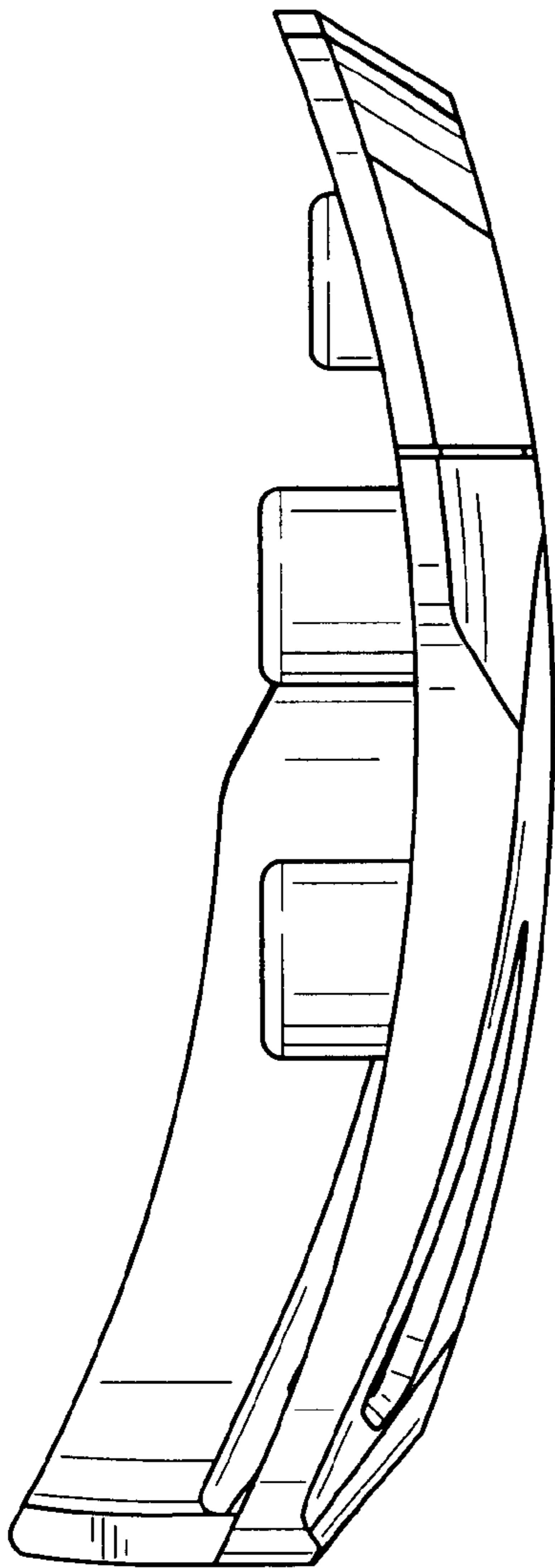


FIG. 5

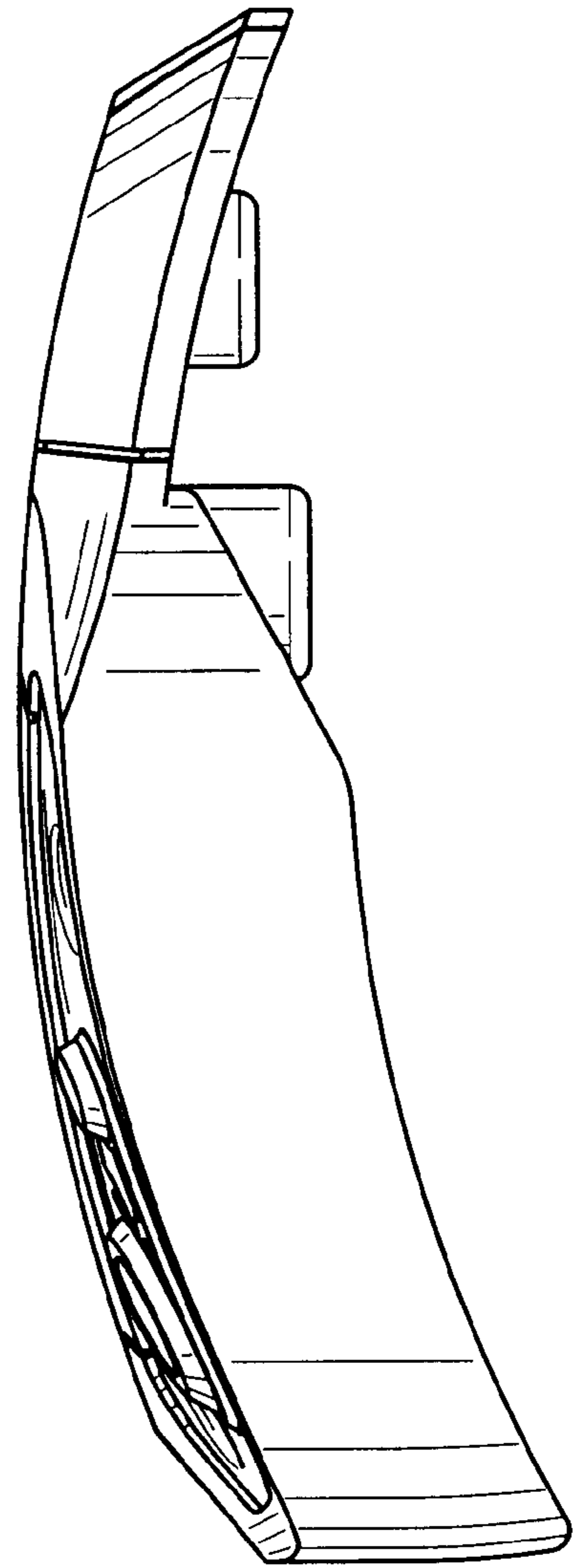


FIG. 6

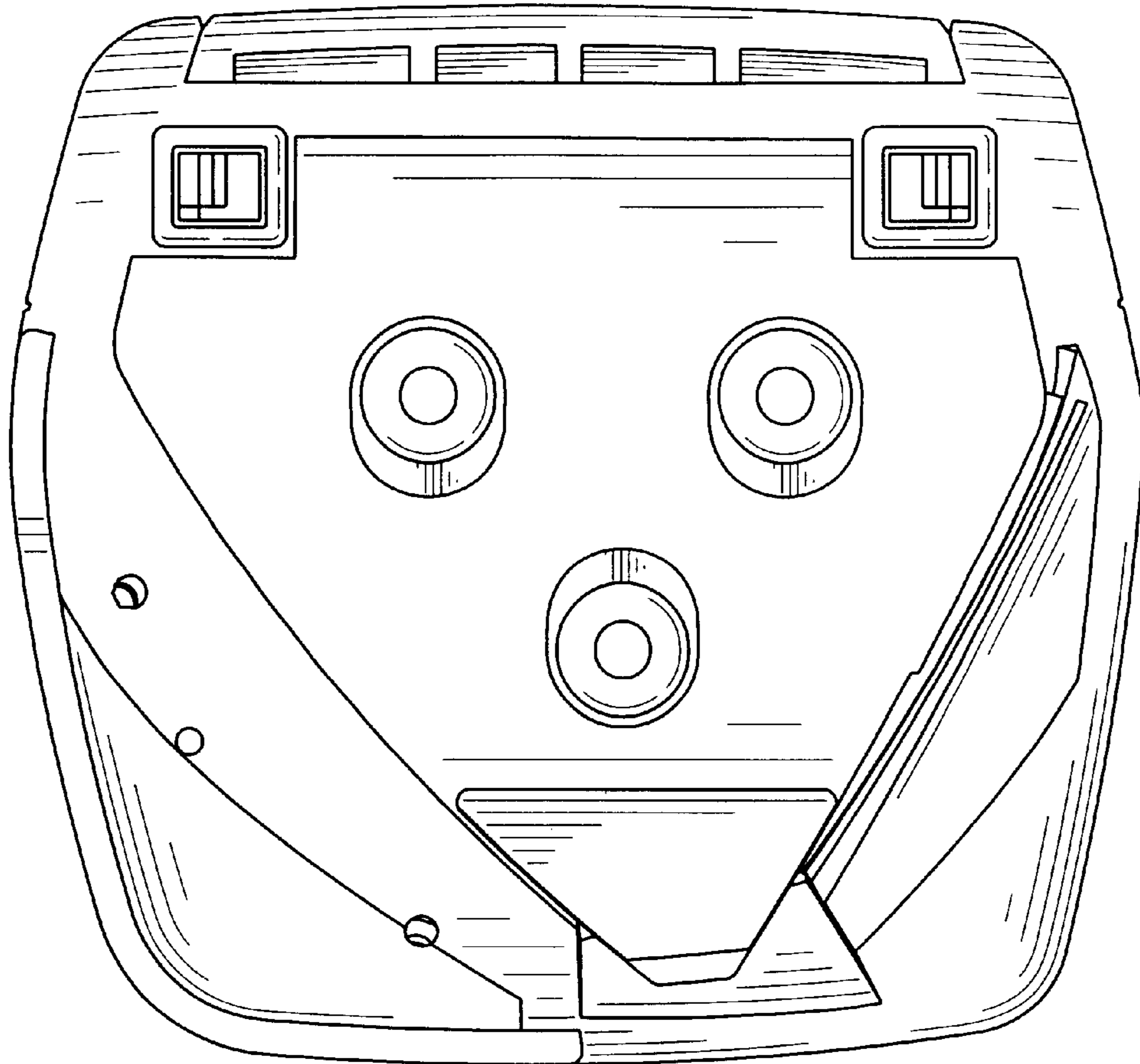


FIG. 7

