



US00D517456S

(12) **United States Design Patent**
Wu et al.

(10) **Patent No.:** **US D517,456 S**
(45) **Date of Patent:** **** Mar. 21, 2006**

(54) **ELECTRIC MOBILITY SCOOTER**
(75) Inventors: **Sung-Yu Wu**, Kaohsiung (TW);
Tsang-Mao Lin, Kaohsiung (TW)

D460,028 S * 7/2002 Wu et al. D12/128
D489,296 S * 5/2004 Tsai D12/131
D494,512 S * 8/2004 Cheng D12/131
D509,775 S * 9/2005 Chen D12/131

(73) Assignee: **Kwang Yang Motor Co., Ltd.**,
Kaohsiung (TW)

* cited by examiner

(**) Term: **14 Years**

Primary Examiner—Marcus A. Jackson
(74) *Attorney, Agent, or Firm*—Leong C. Lei

(21) Appl. No.: **29/223,517**

(22) Filed: **Feb. 16, 2005**

(57) **CLAIM**

The ornamental design for an electric mobility scooter, as shown and described.

(51) **LOC (8) Cl.** **12-12**

(52) **U.S. Cl.** **D12/131**

(58) **Field of Classification Search** D12/128–133;
280/250.1, 304.1; 180/6.5, 65.1, 907, 908;
297/DIG. 4

See application file for complete search history.

DESCRIPTION

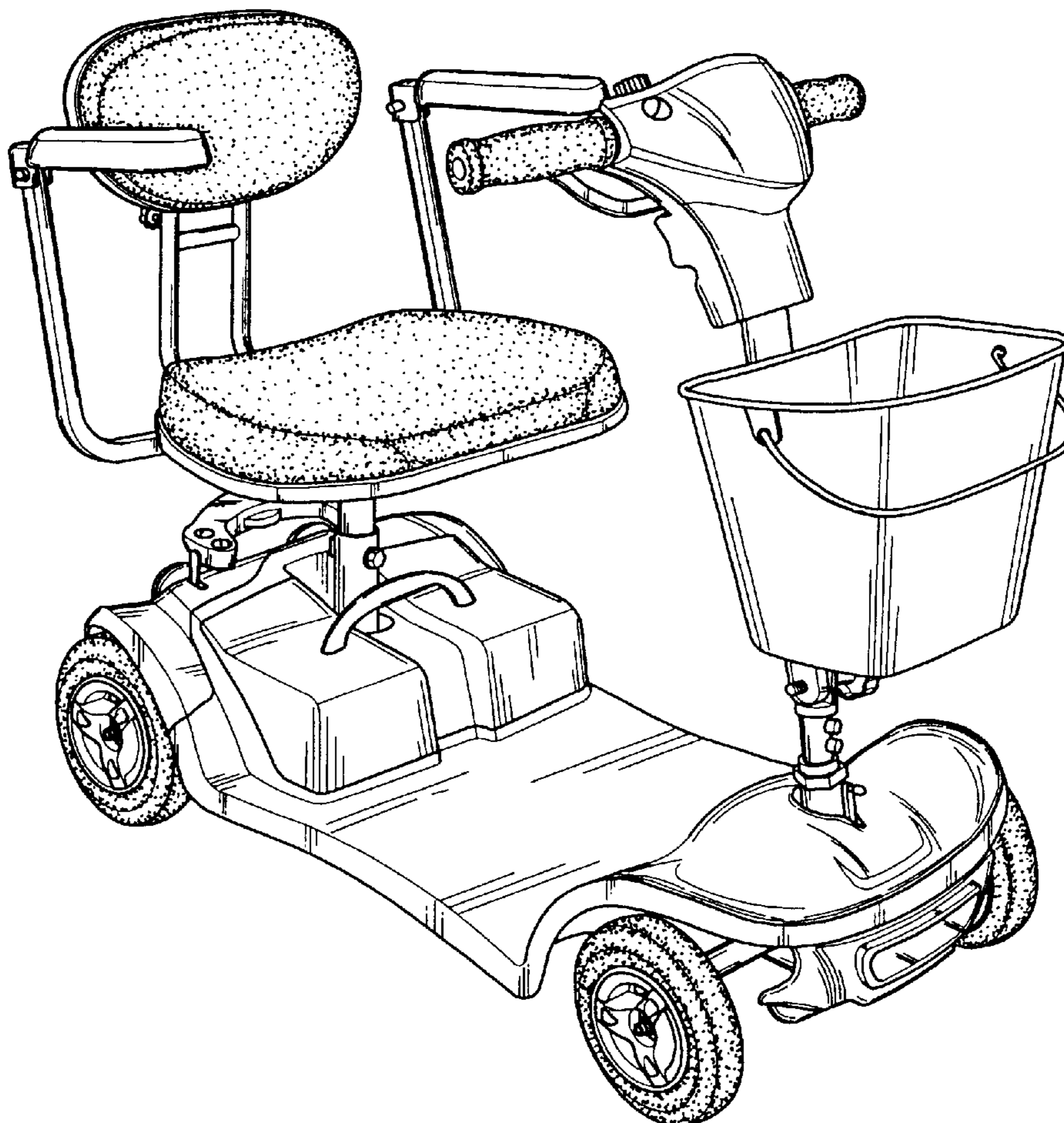
FIG. 1 is perspective view of an electric mobility scooter showing my new design;
FIG. 2 is a front side elevation view thereof;
FIG. 3 is a rear side elevation view thereof;
FIG. 4 is a left side elevation view thereof;
FIG. 5 is a right side elevation view thereof;
FIG. 6 is a top plan view thereof; and,
FIG. 7 is a bottom plan view thereof.

(56) **References Cited**

U.S. PATENT DOCUMENTS

D403,279 S * 12/1998 Wu D12/131
D444,421 S * 7/2001 Cheng D12/131

1 Claim, 4 Drawing Sheets



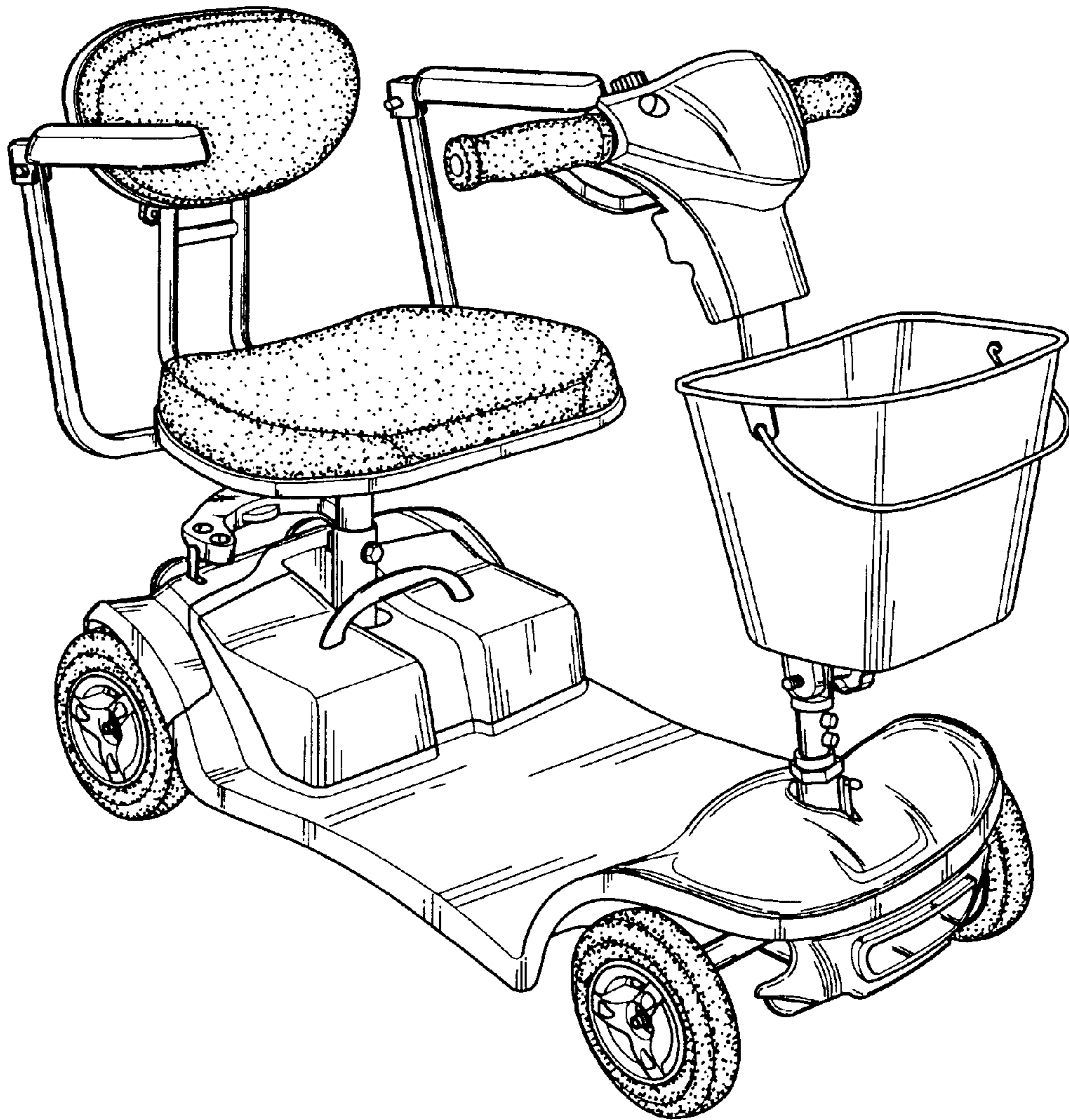


FIG.1

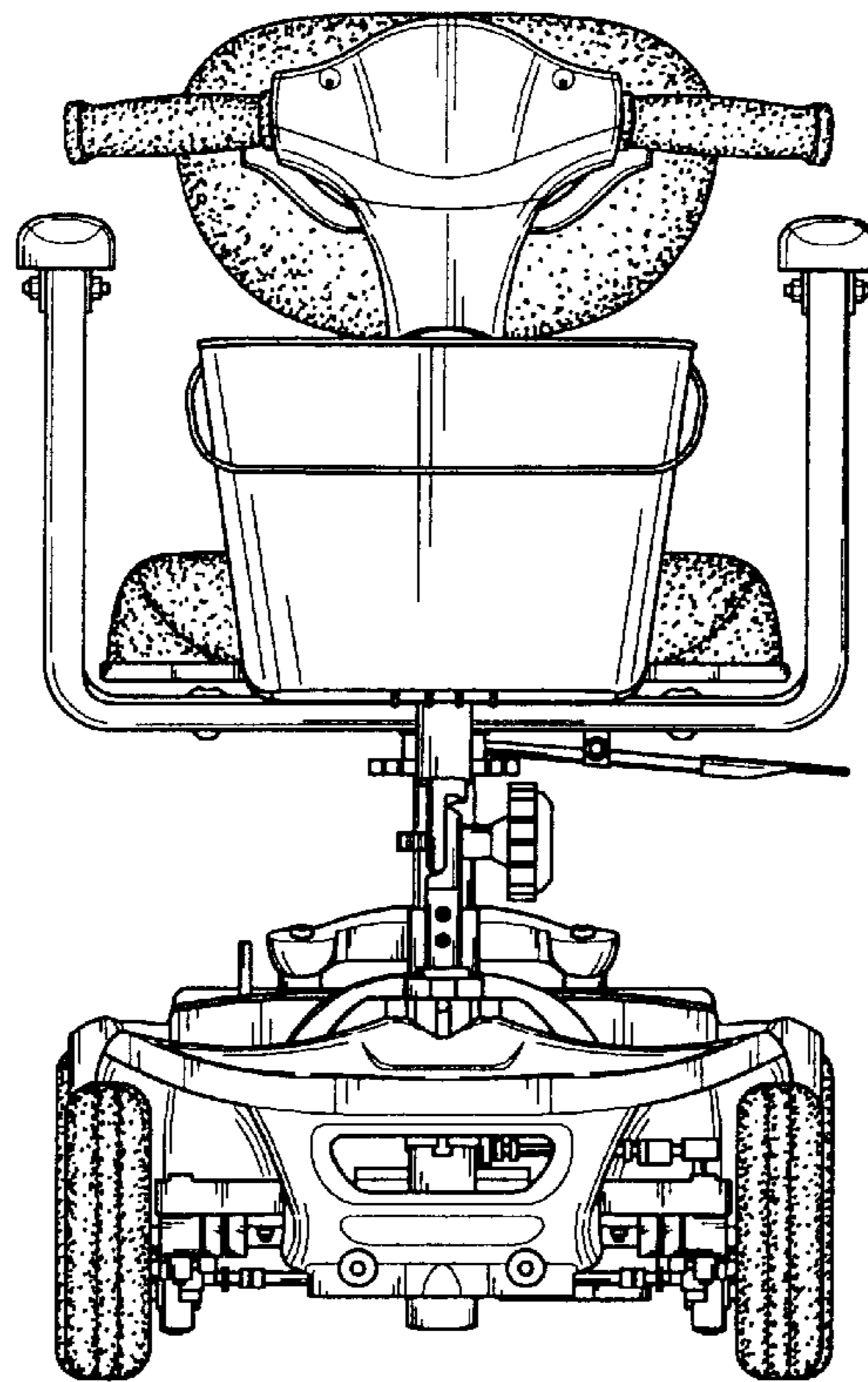


FIG. 2

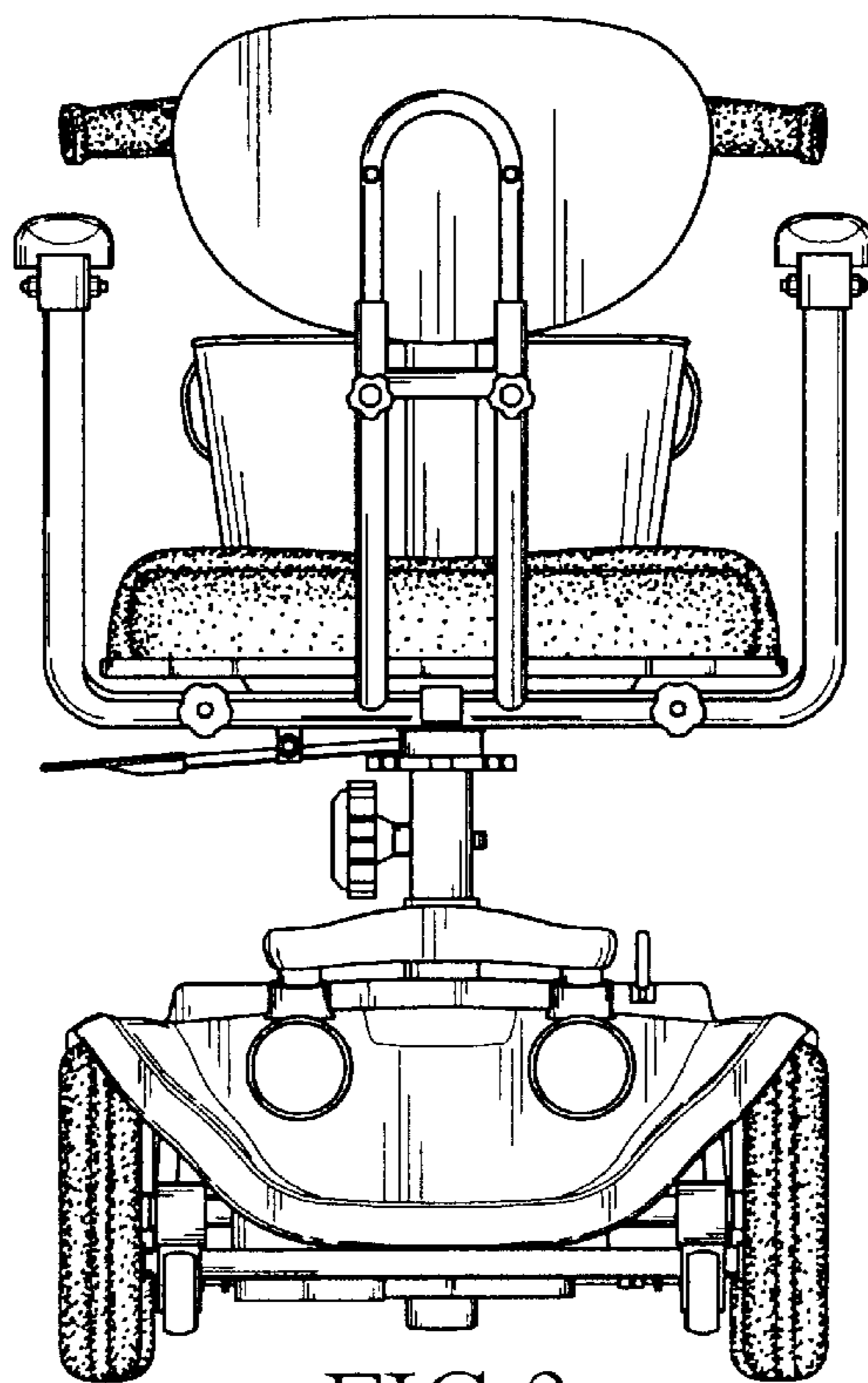


FIG. 3

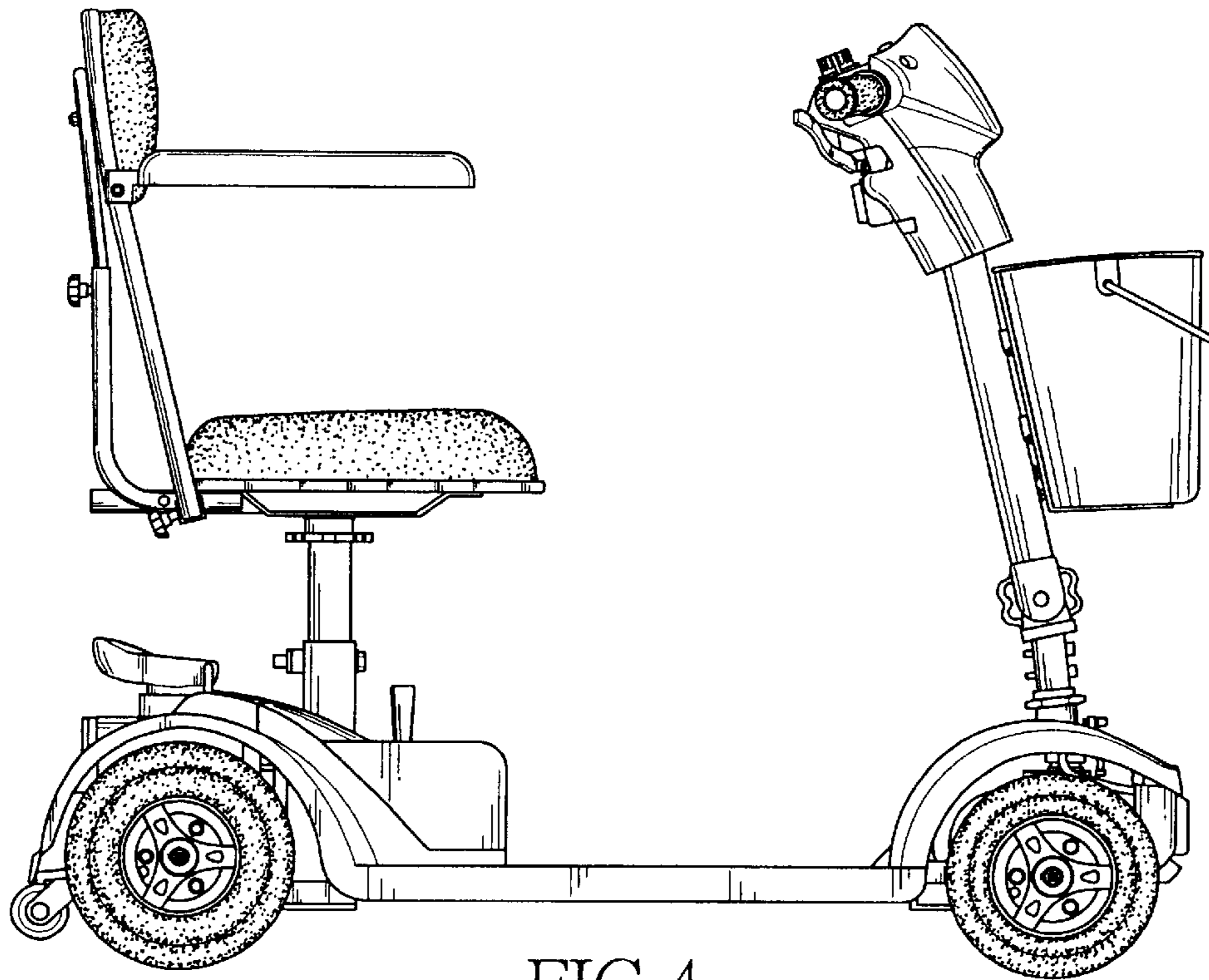


FIG. 4

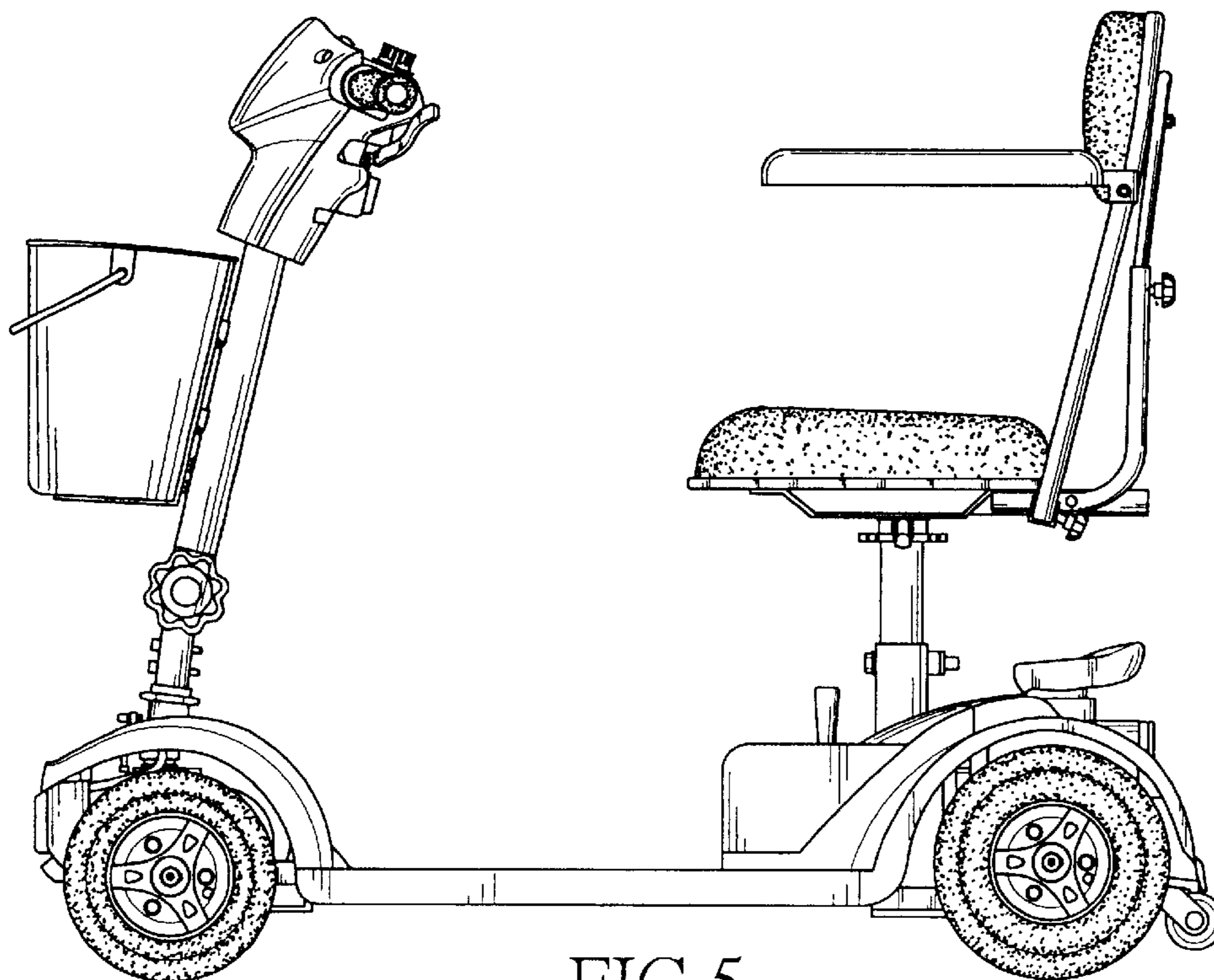


FIG. 5

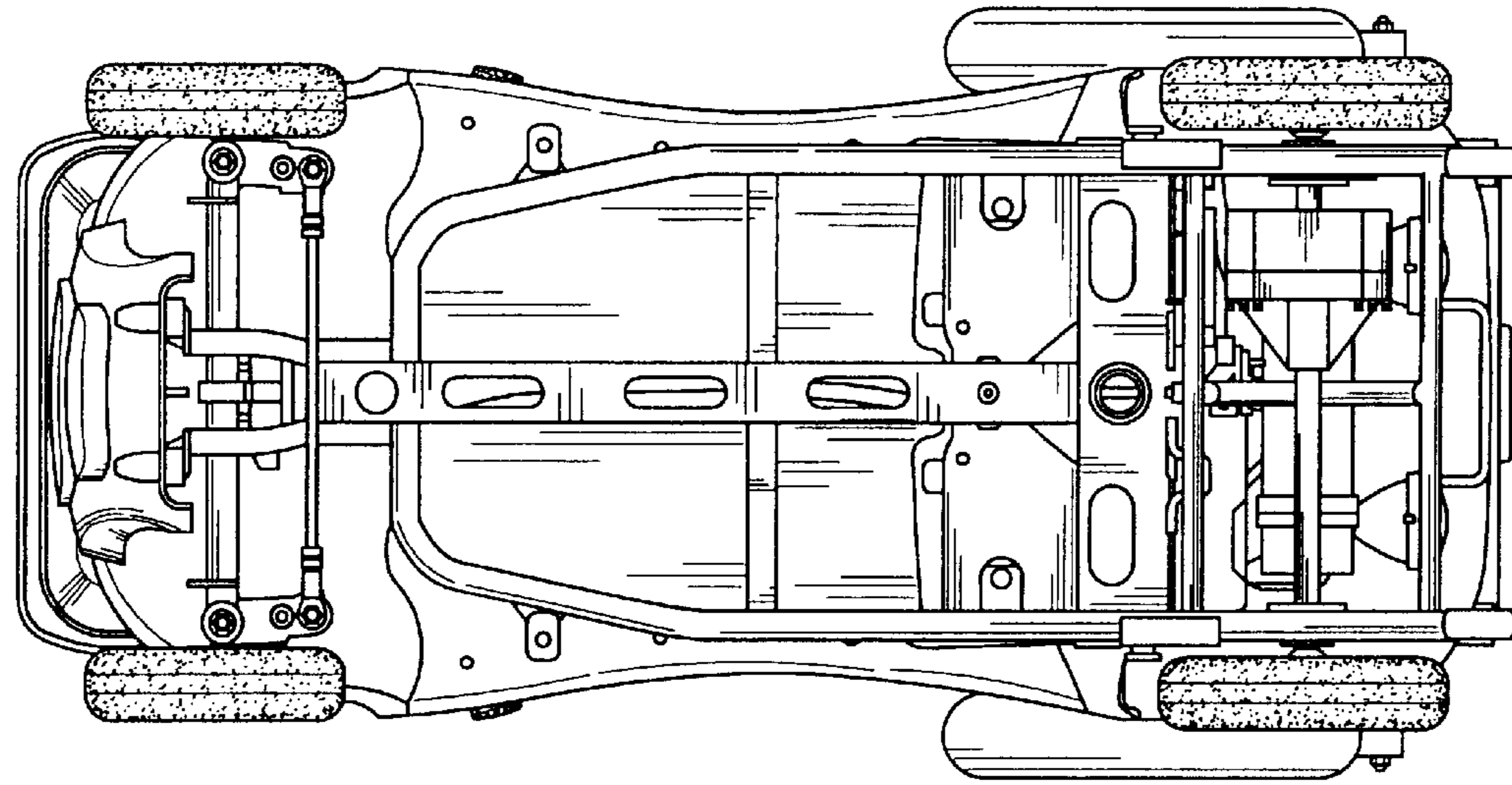


FIG. 6

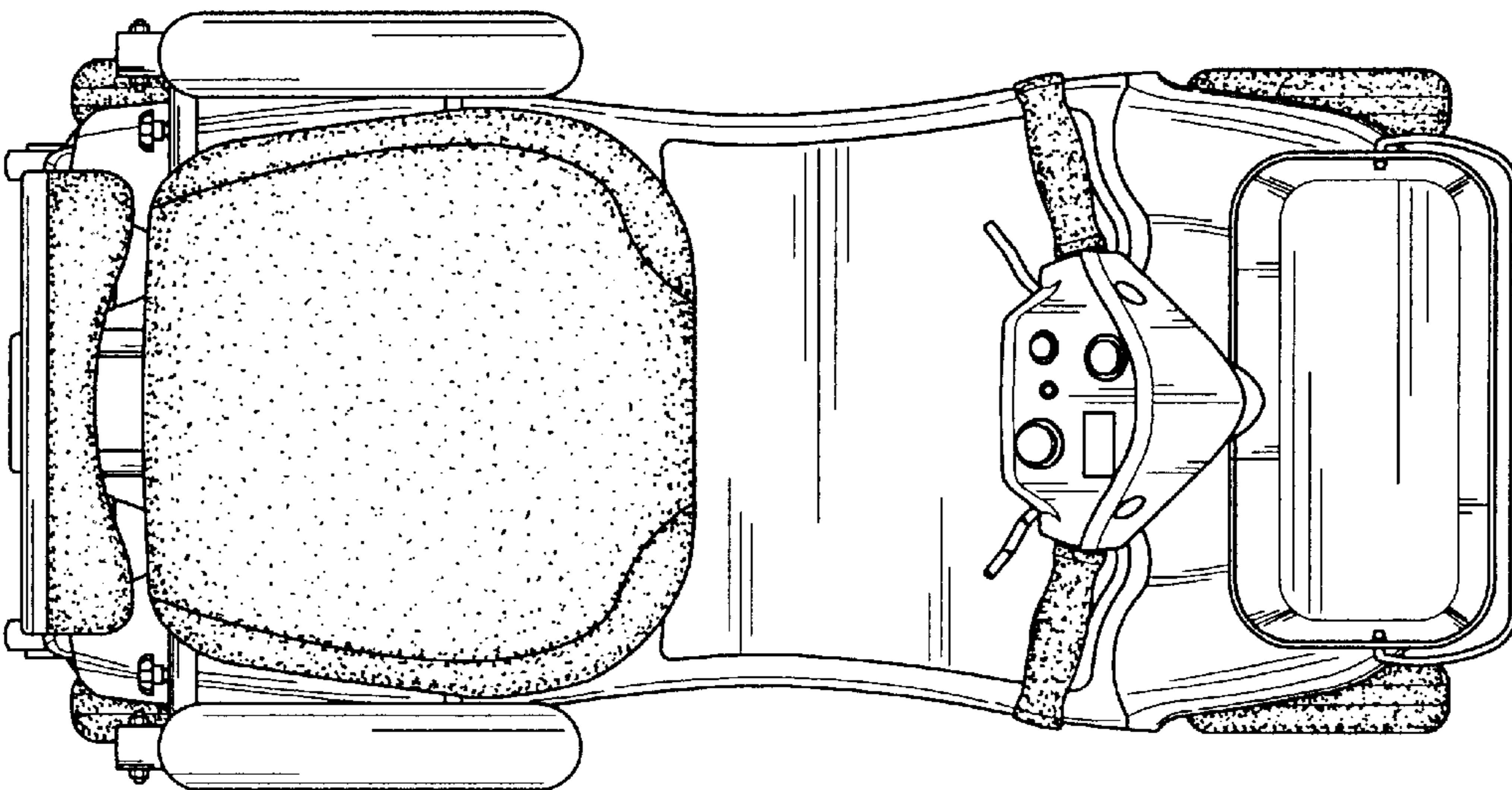


FIG. 7