



US00D517454S

(12) **United States Design Patent**
Chambers

(10) **Patent No.:** **US D517,454 S**
(45) **Date of Patent:** **** Mar. 21, 2006**

(54) **FIREWALL MOTORCYCLE EXHAUST GUARD**

(75) Inventor: **Max A. Chambers**, Russiaville, IN (US)

(73) Assignee: **Red Barn Customs L.L.C.**, Russiaville, IN (US)

(**) Term: **14 Years**

(21) Appl. No.: **29/211,323**

(22) Filed: **Aug. 13, 2004**

(51) **LOC (8) Cl.** **12-11**

(52) **U.S. Cl.** **D12/126**

(58) **Field of Classification Search** D12/110,
D12/114, 126, 190, 194, 407; 280/288.4,
280/304.3, 304.4, 291, 835; D5/64; D20/11;
180/219, 90; 428/31, 542.6

See application file for complete search history.

(56) **References Cited**

U.S. PATENT DOCUMENTS

5,479,324 A	*	12/1995	Barry	280/835
D377,778 S	*	2/1997	Houser	D12/194
D403,991 S		1/1999	Davidson et al.		
D427,963 S	*	7/2000	Gogan et al.	D12/407
D484,830 S	*	1/2004	Price	D12/114

OTHER PUBLICATIONS

Custom Chrome 2001 Inferno ® starter end cover on p. 6.64 and Chrome Flame Universal Heat Shields on p. 7.69.*

* cited by examiner

Primary Examiner—Alan P. Douglas
Assistant Examiner—Linda Brooks
(74) *Attorney, Agent, or Firm*—Frank D. Lachenmaier

(57) **CLAIM**

The ornamental design for a firewall motorcycle exhaust guard, as shown and described.

DESCRIPTION

FIG. 1 is a top side view of a firewall motorcycle exhaust guard showing my new design;

FIG. 2 is a right side elevational view thereof, the left side elevational view being a mirror image;

FIG. 3 is a bottom side view thereof;

FIG. 4 is a front view showing a right side installation;

FIG. 5 is a front view showing a left side installation;

FIG. 6 is a rear view showing a left side installation;

FIG. 7 is an exploded isometric view of a firewall motorcycle exhaust guard;

FIG. 8 is a left side view of a motorcycle and footrest showing a left side view of a firewall motorcycle exhaust guard mounted and on a reduced scale; and,

FIG. 9 is an enlarged partial view of the portion of FIG. 8 circumscribed by the dashed lines.

The motorcycle, foot rest, mounting screws and dowels that are shown in phantom lines form no part of this invention, and are shown for illustrative purposes only.

1 Claim, 3 Drawing Sheets

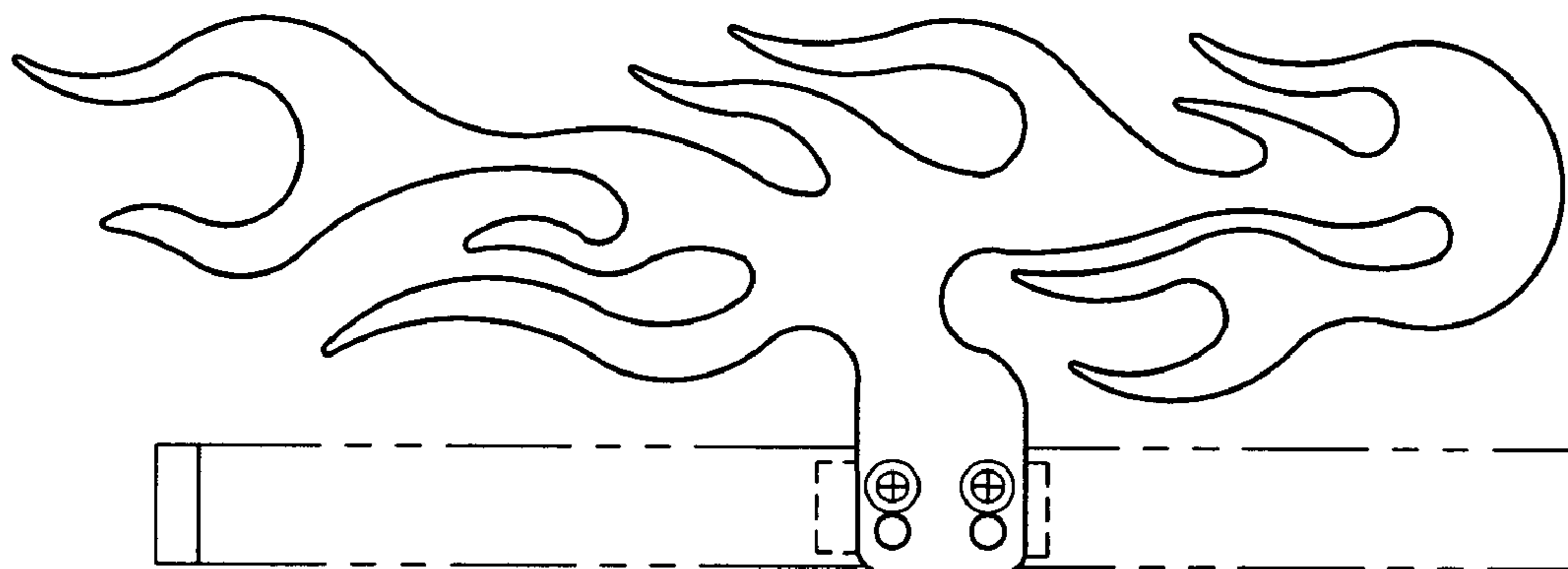




FIG 1

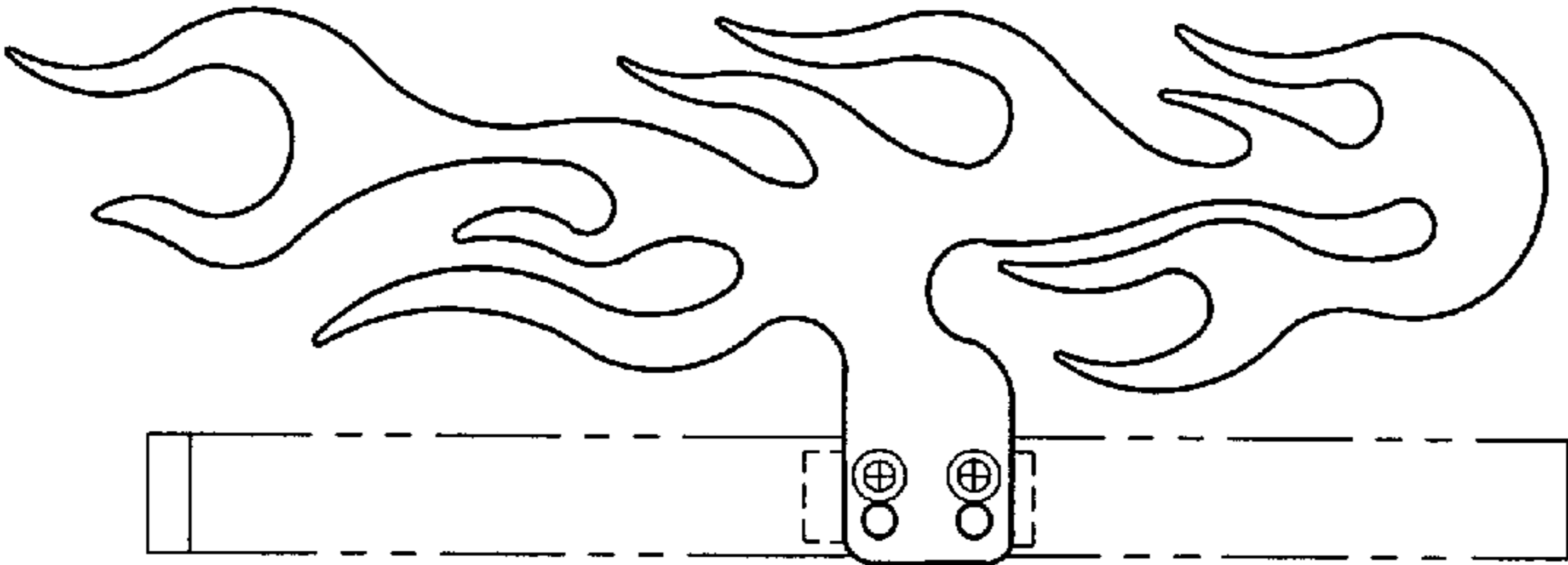


FIG 2

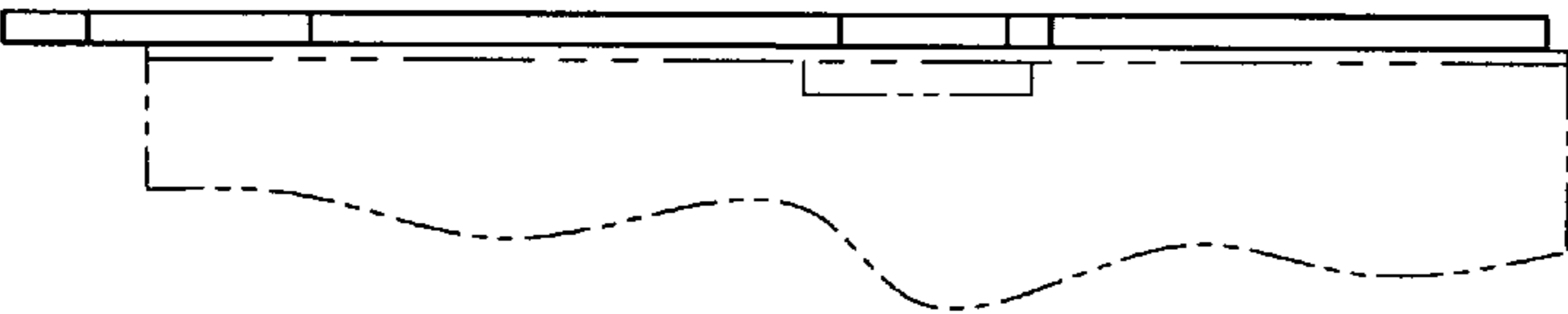


FIG 3

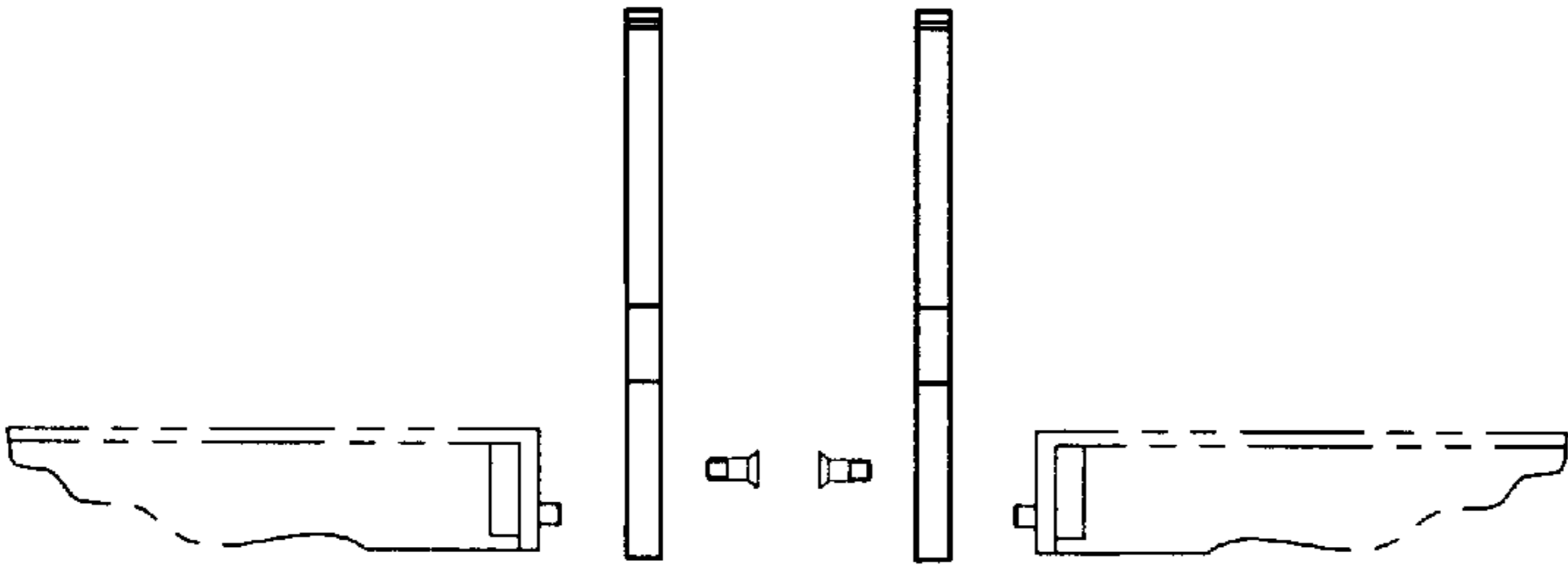


FIG 4

FIG 5

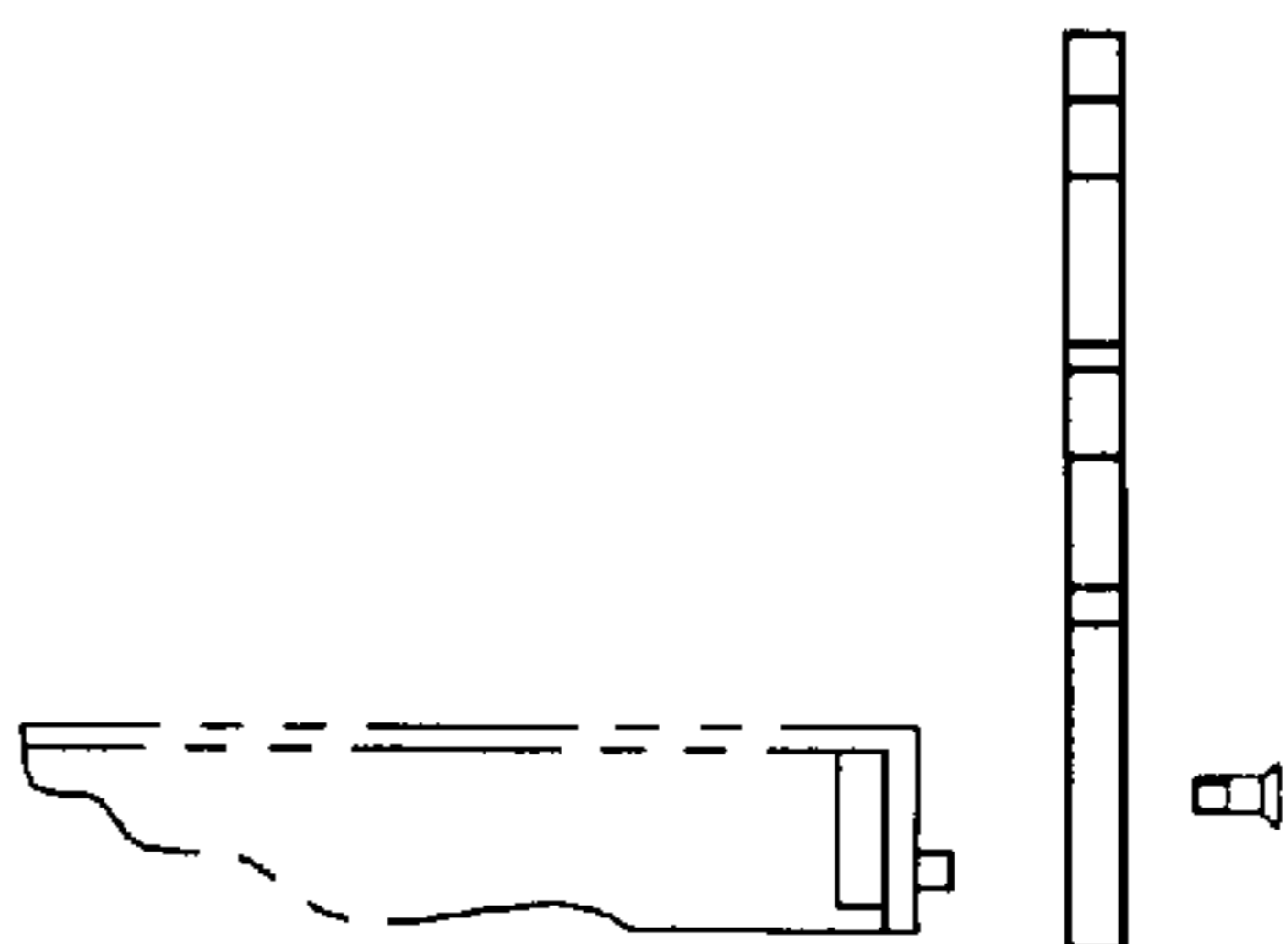


FIG 6

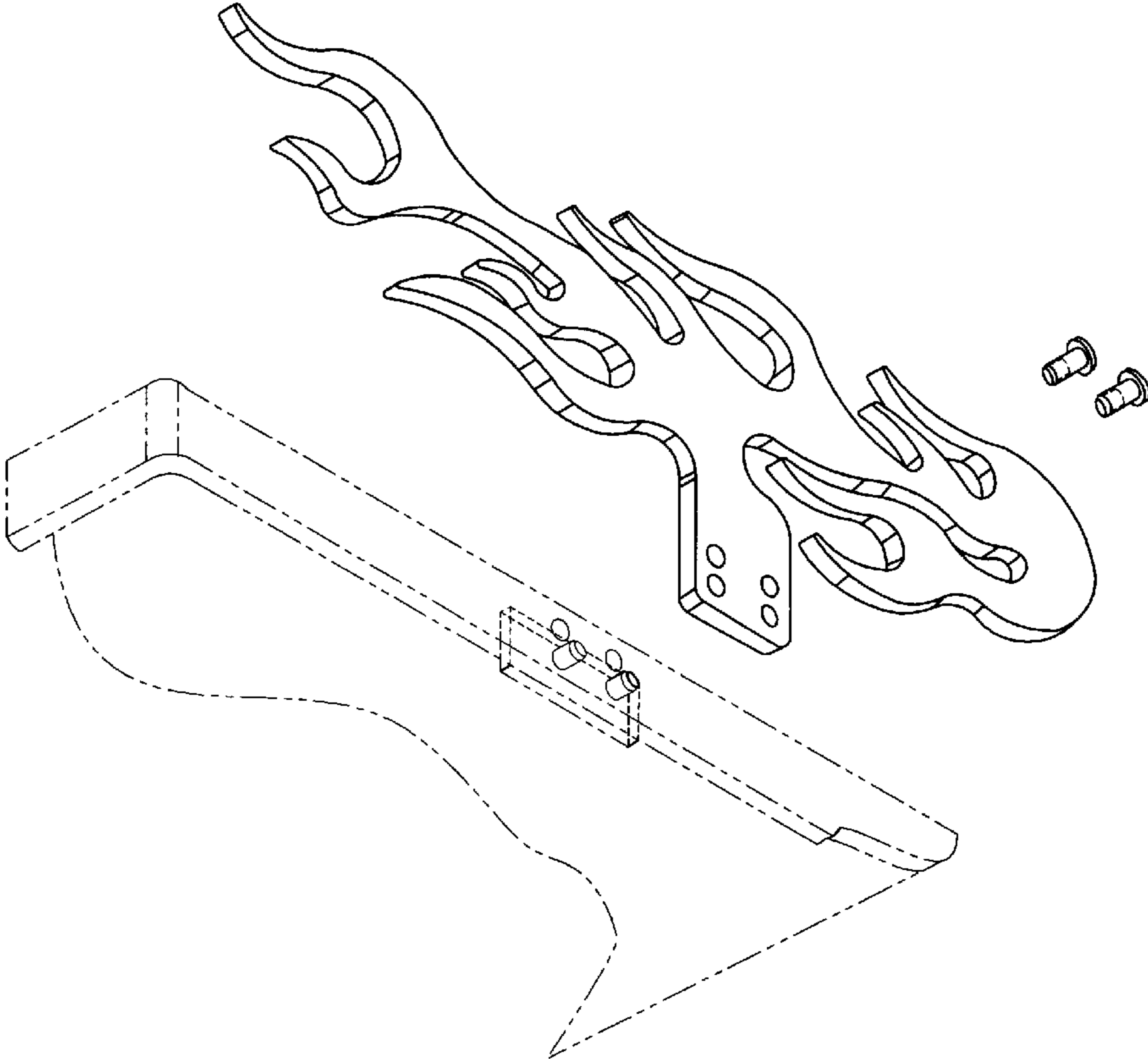


FIG 7

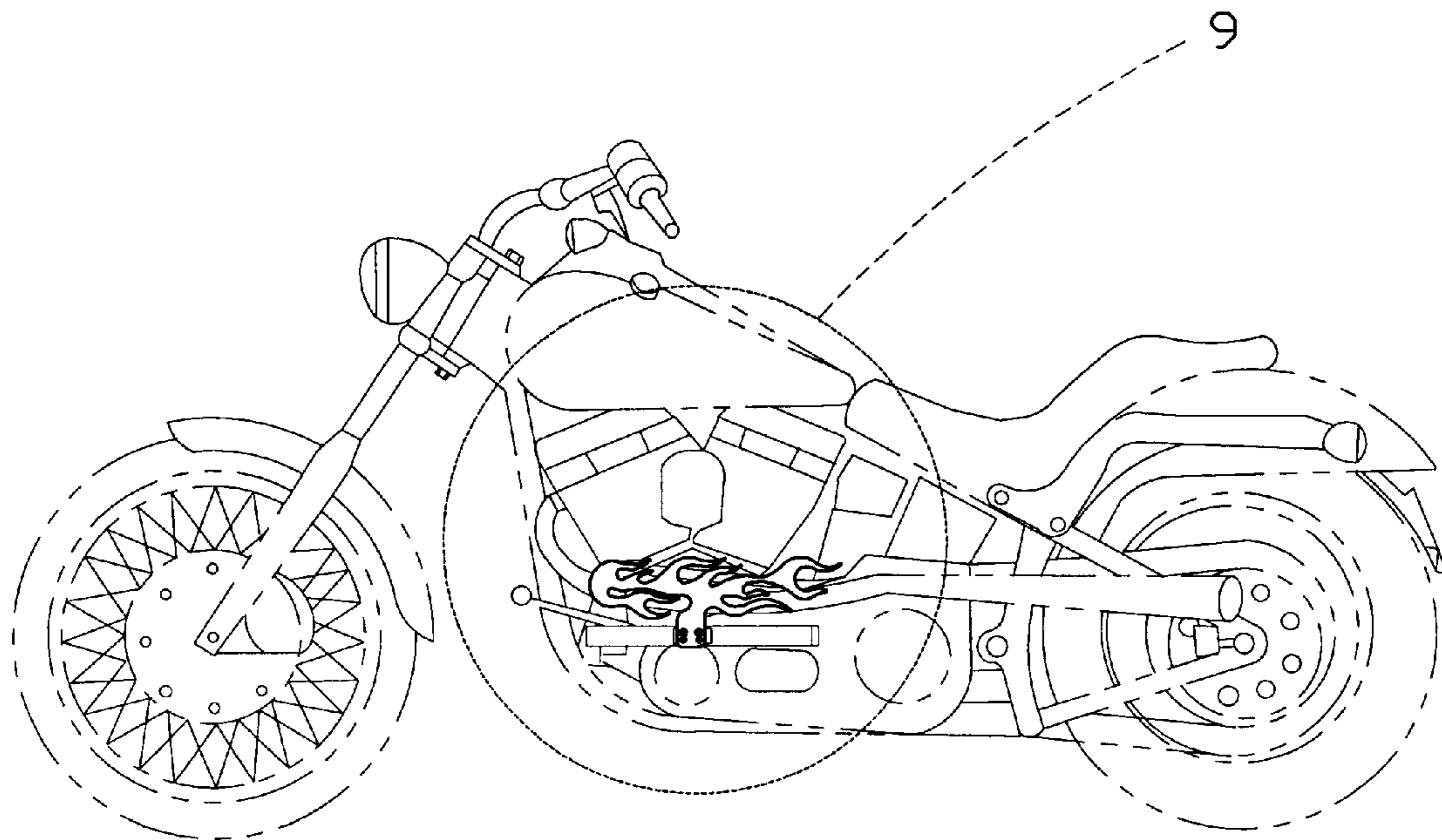


FIG 8

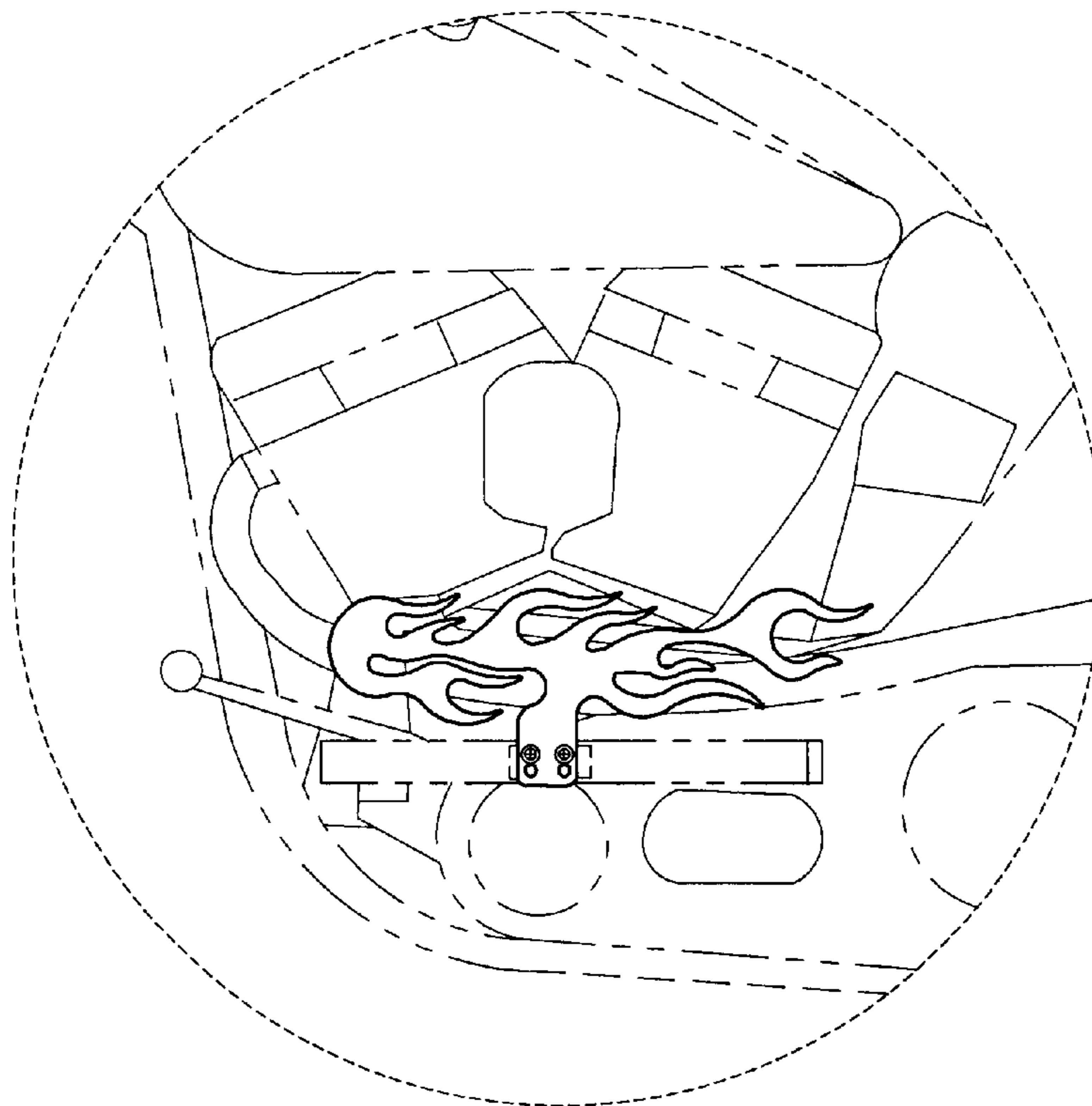


FIG 9