



US00D517452S

(12) **United States Design Patent**  
**Hickman**

(10) **Patent No.:** **US D517,452 S**  
(45) **Date of Patent:** **\*\* Mar. 21, 2006**

(54) **BICYCLE FRAME**

D419,110 S \* 1/2000 Allen et al. .... D12/111

(76) Inventor: **Gary Wayne Hickman**, 2930 Wind Ck.  
Rd., Alpine, CA (US) 91901

\* cited by examiner

(\*\*) Term: **14 Years**

*Primary Examiner*—Alan P. Douglas

*Assistant Examiner*—Linda Brooks

(21) Appl. No.: **29/214,939**

(74) *Attorney, Agent, or Firm*—Procopio, Cory, Hargreaves  
& Savitch

(22) Filed: **Oct. 12, 2004**

(57) **CLAIM**

The ornamental design for a bicycle frame, as shown.

**Related U.S. Application Data**

**DESCRIPTION**

(63) Continuation of application No. 10/711,875, filed on Oct. 11,  
2004.

FIG. 1 is a right side perspective view of the bicycle frame  
showing my new design;

(51) **LOC (8) Cl.** ..... **12-11**

(52) **U.S. Cl.** ..... **D12/111**

FIG. 2 is a right side view of the bicycle frame;

(58) **Field of Classification Search** ..... D12/111,

D12/117; 280/281.1, 274–278, 288.1–288.3,

280/311, 312

FIG. 3 is a left side view of the bicycle frame;

FIG. 4 is a top view of the bicycle frame;

FIG. 5 is a bottom view of the bicycle frame;

See application file for complete search history.

FIG. 6 is a front view of the bicycle frame; and,

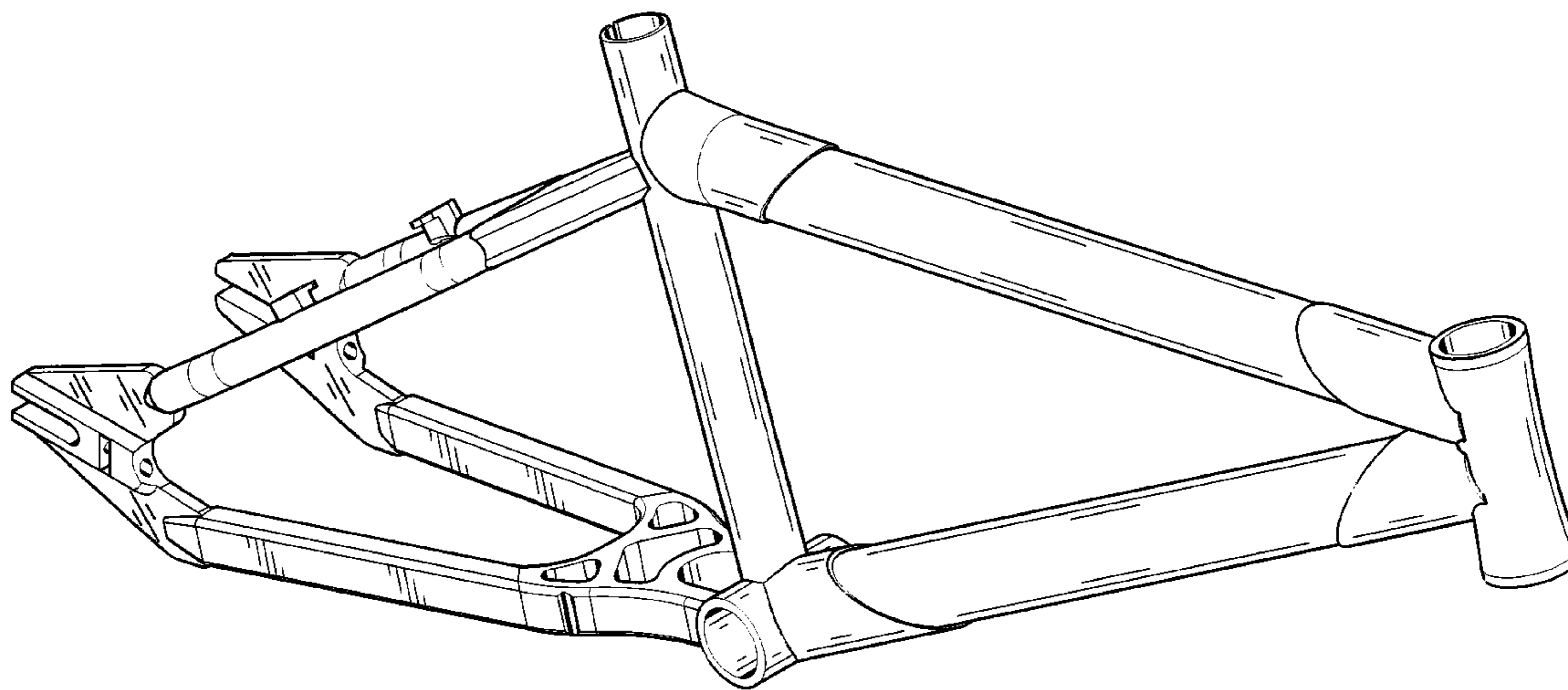
FIG. 7 is a back view of the bicycle frame showing my new  
design.

(56) **References Cited**

**U.S. PATENT DOCUMENTS**

**1 Claim, 5 Drawing Sheets**

5,368,804 A \* 11/1994 Hwang et al. .... 280/281.1



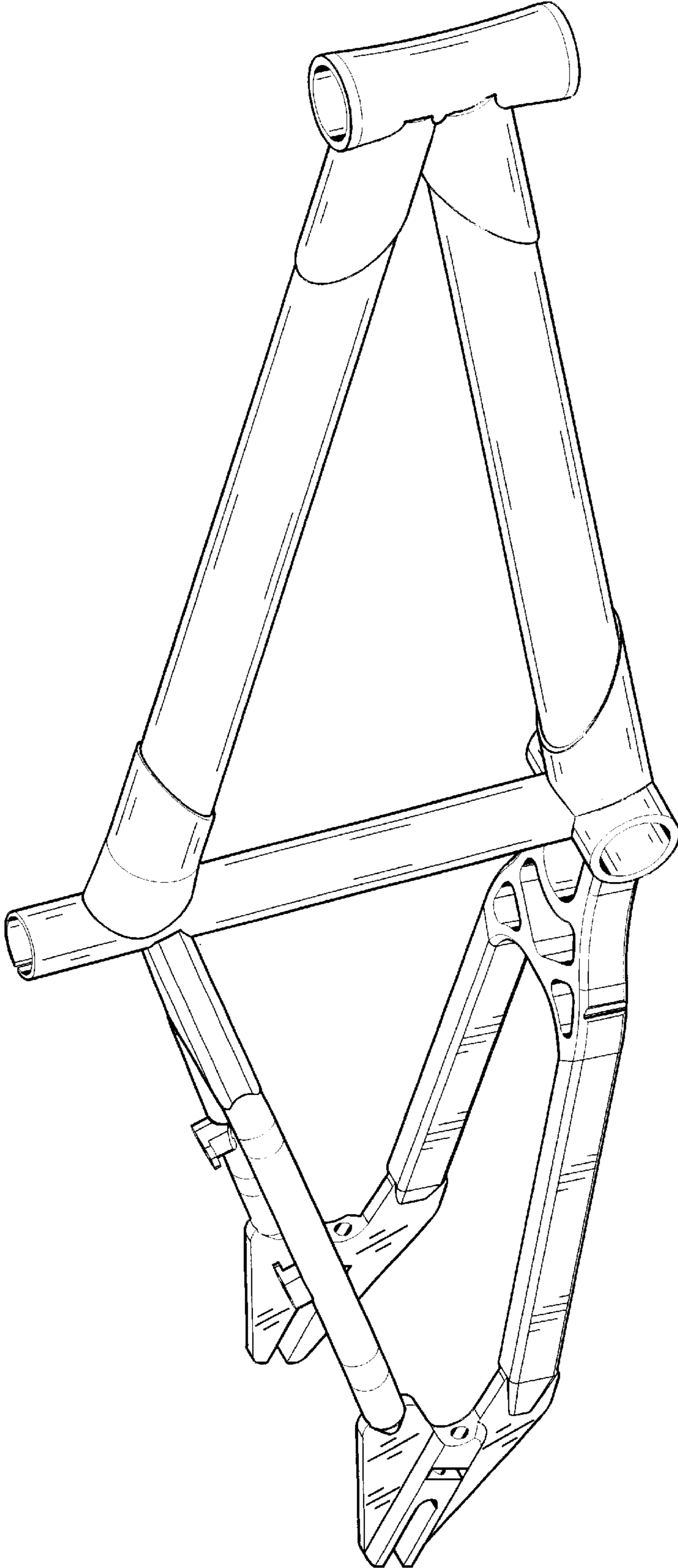


FIG. 1

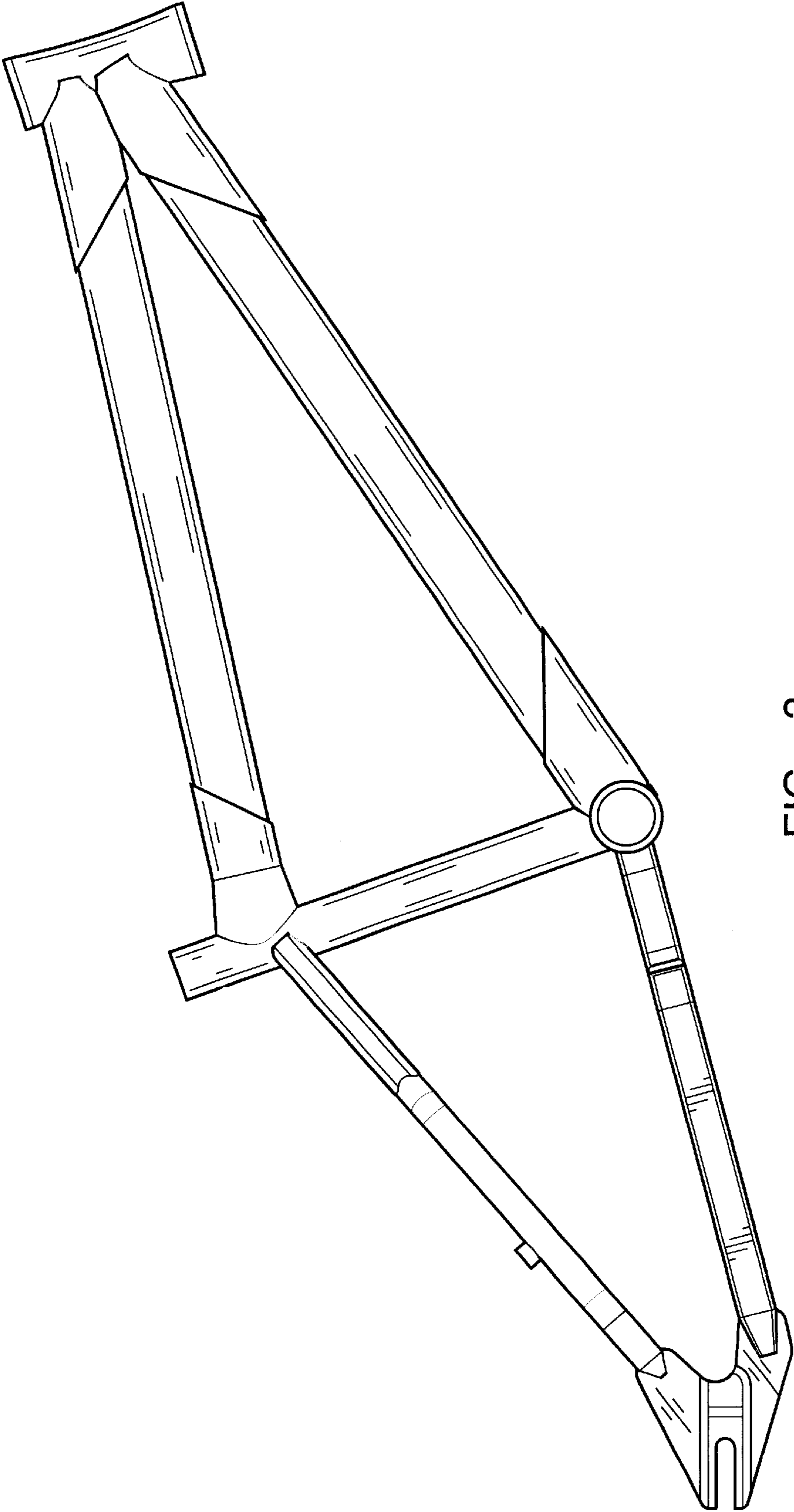


FIG. 2

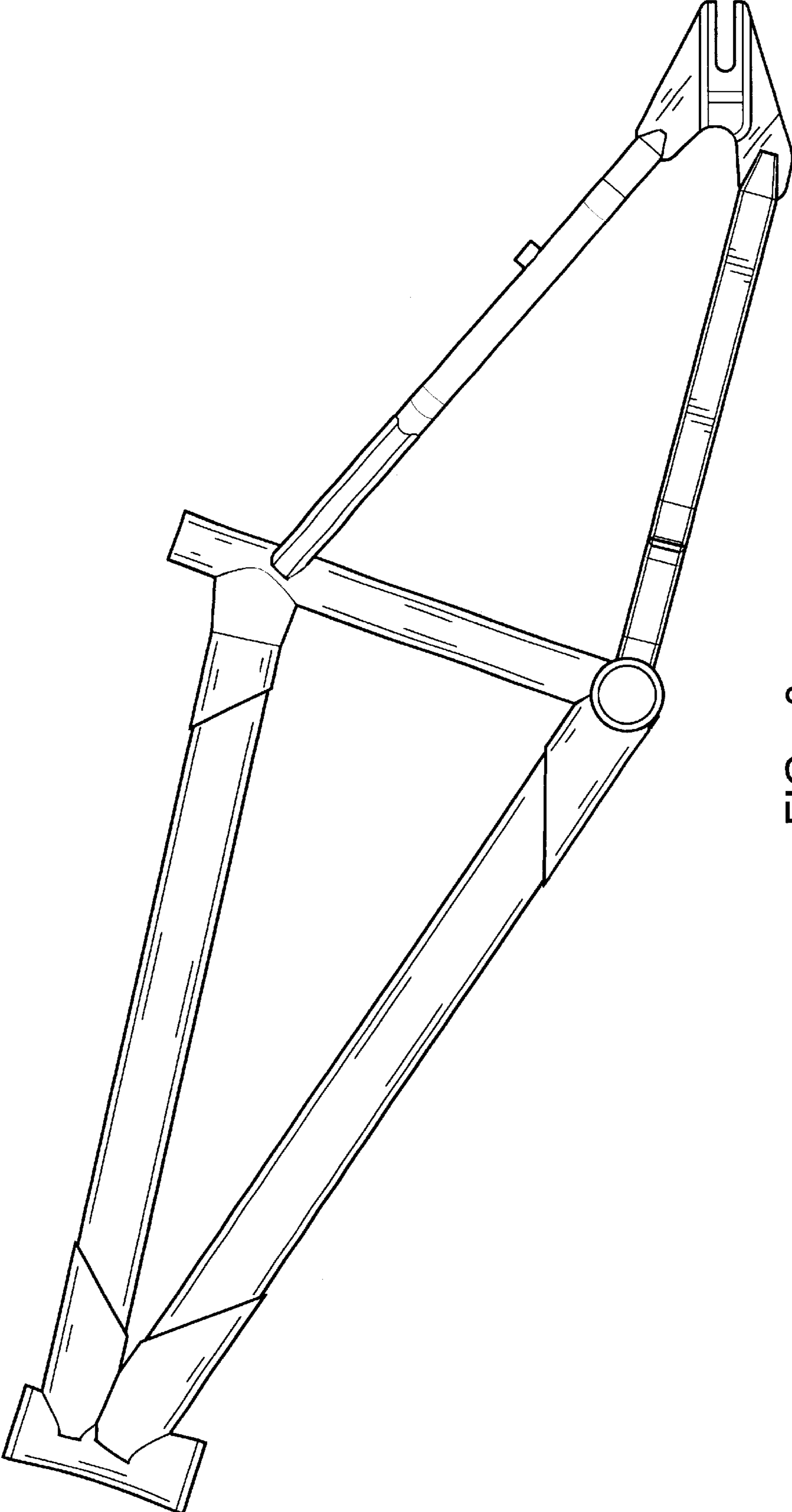


FIG. 3

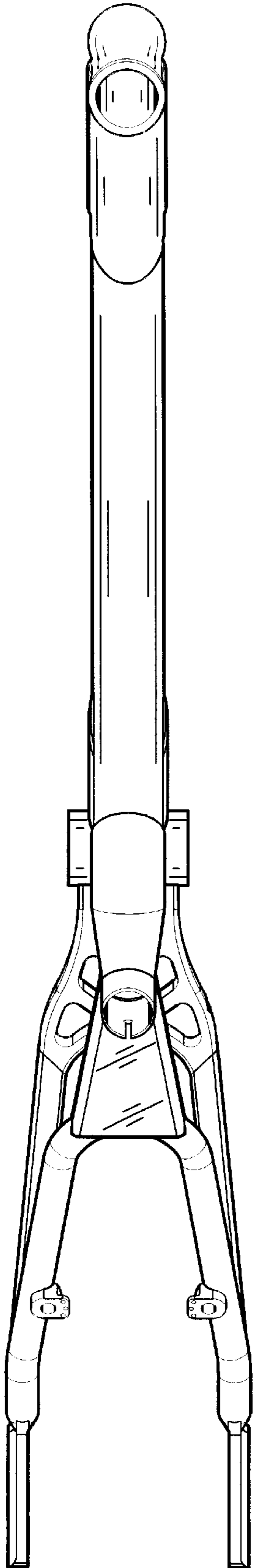


FIG. 4

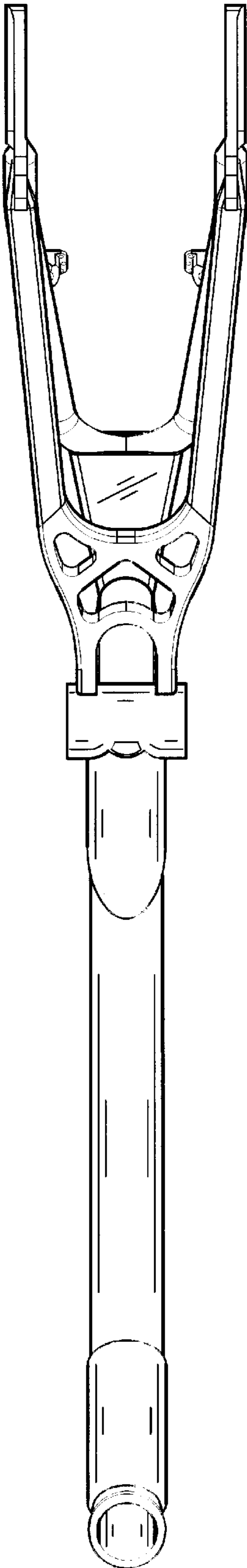


FIG. 5

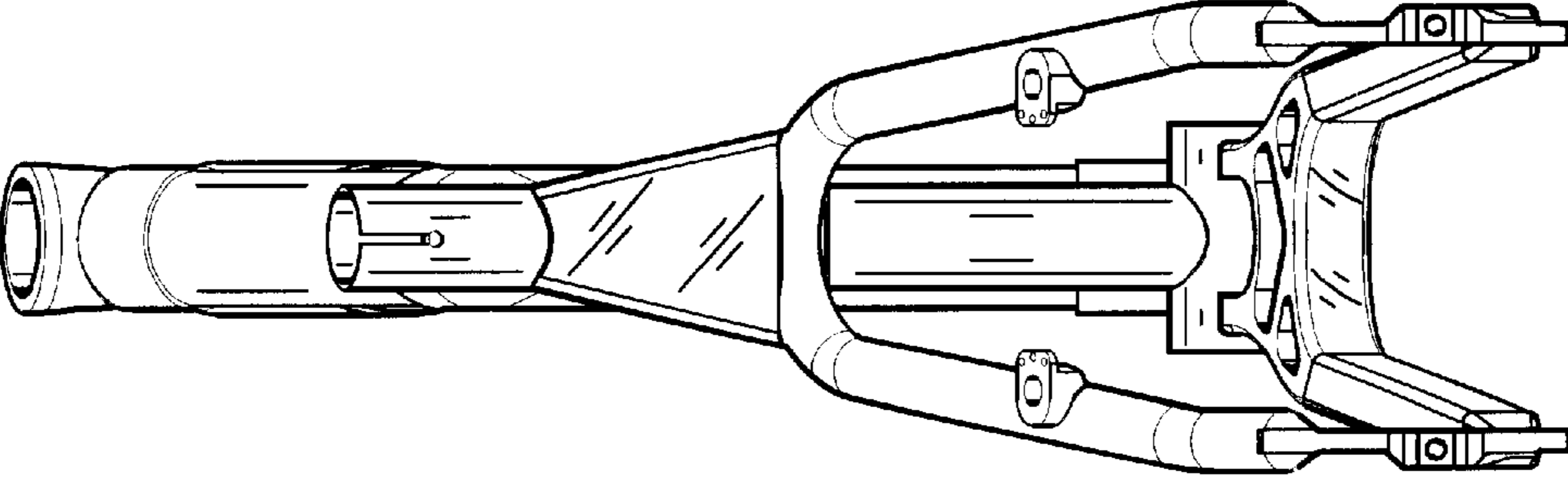


FIG. 7

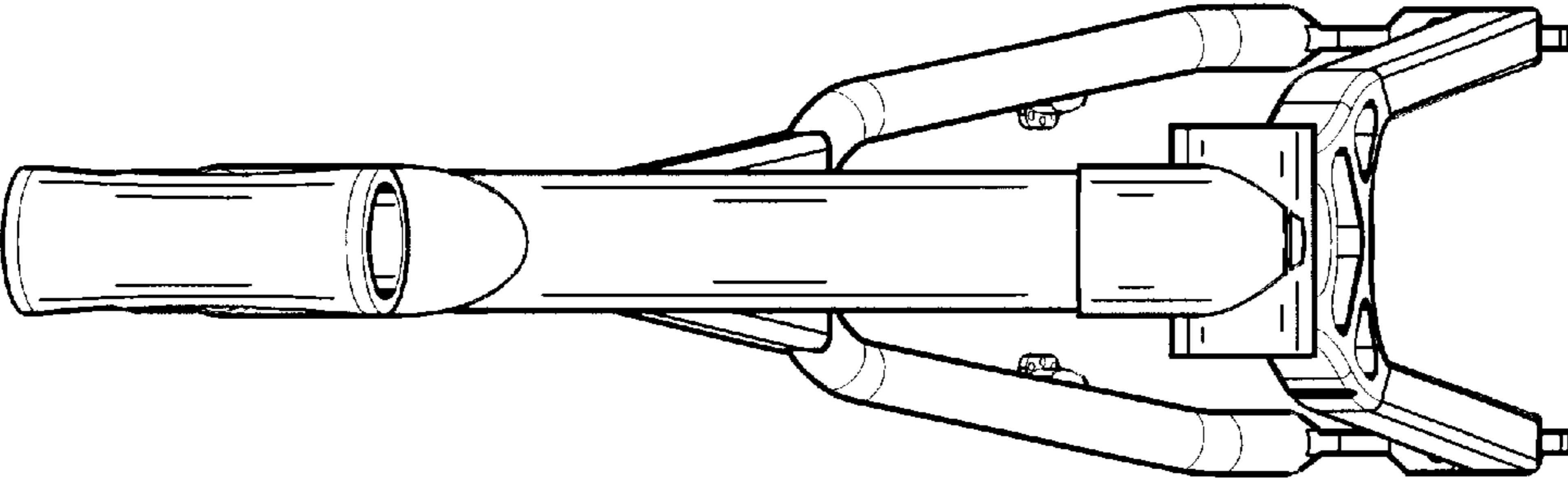


FIG. 6