



US00D517451S

(12) **United States Design Patent**
Alsop

(10) **Patent No.:** **US D517,451 S**
(45) **Date of Patent:** **** Mar. 21, 2006**

(54) **MOTORCYCLE FRAME**

(76) **Inventor:** **Kevin R. Alsop**, P.O. Box 3021, Big Bear City, CA (US) 92314

(**) **Term:** **14 Years**

(21) **Appl. No.:** **29/223,714**

(22) **Filed:** **Feb. 17, 2005**

(51) **LOC (8) Cl.** **12-11**

(52) **U.S. Cl.** **D12/110**

(58) **Field of Classification Search** D12/110,
D12/117; 180/219, 225, 311, 312
See application file for complete search history.

(56) **References Cited**

U.S. PATENT DOCUMENTS

5,921,339 A * 7/1999 Matsuura 180/219
6,793,031 B1 * 9/2004 Greene 180/225

* cited by examiner

Primary Examiner—Alan P. Douglas
Assistant Examiner—Linda Brooks

(74) *Attorney, Agent, or Firm*—Christie, Parker & Hale, LLP.

(57) **CLAIM**

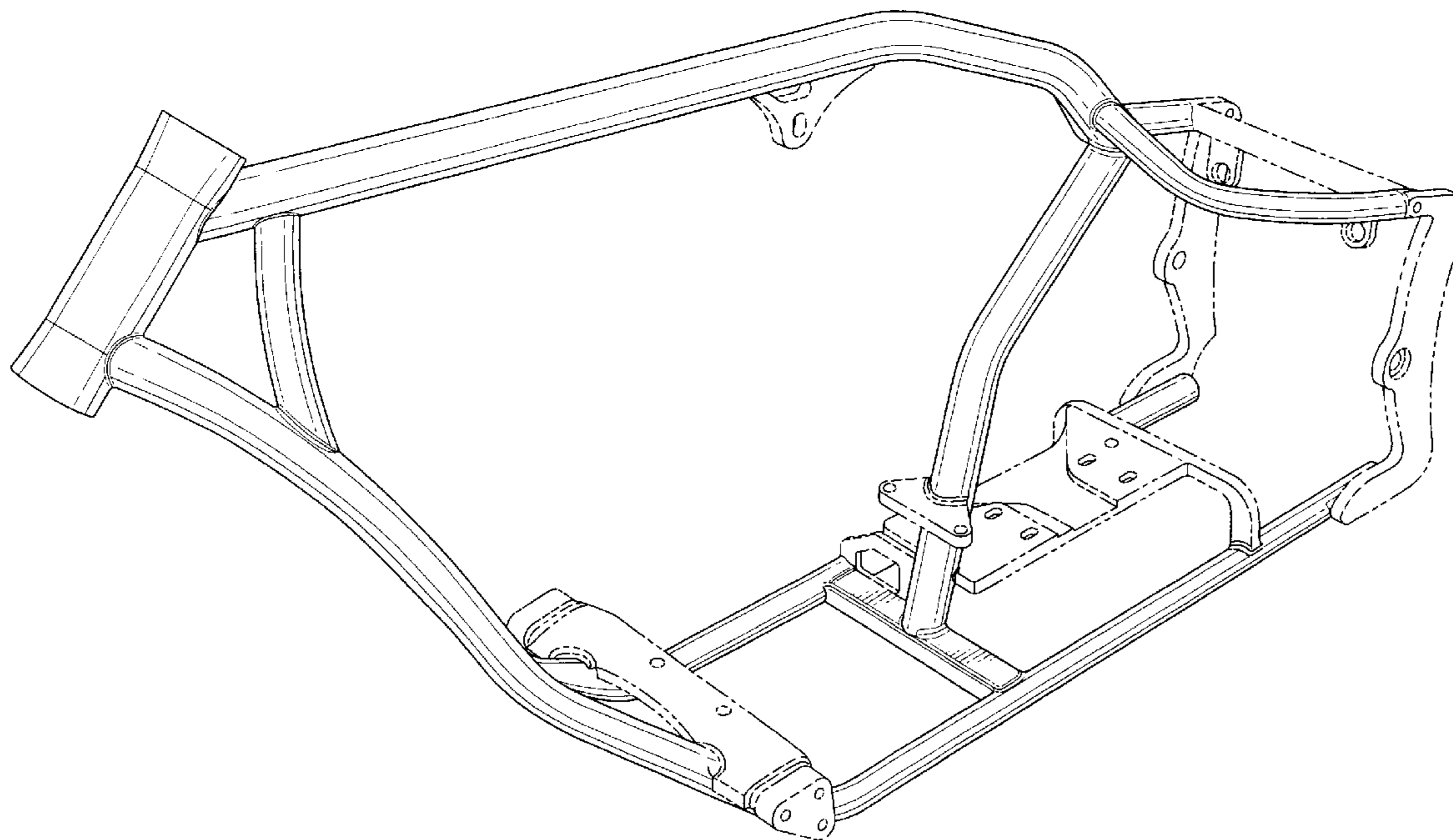
The ornamental design for a motorcycle frame, as shown and described.

DESCRIPTION

FIG. 1 is a perspective view showing my new design;
FIG. 2 is a right side view;
FIG. 3 is a left side view;
FIG. 4 is a top view;
FIG. 5 is a bottom view;
FIG. 6 is a front view; and,
FIG. 7 is a back view of the design.

The broken lines adjacent the shaded areas represent the bounds of the claimed design, and the broken lines showing portions of a motorcycle frame, form no part of the claimed design.

1 Claim, 5 Drawing Sheets



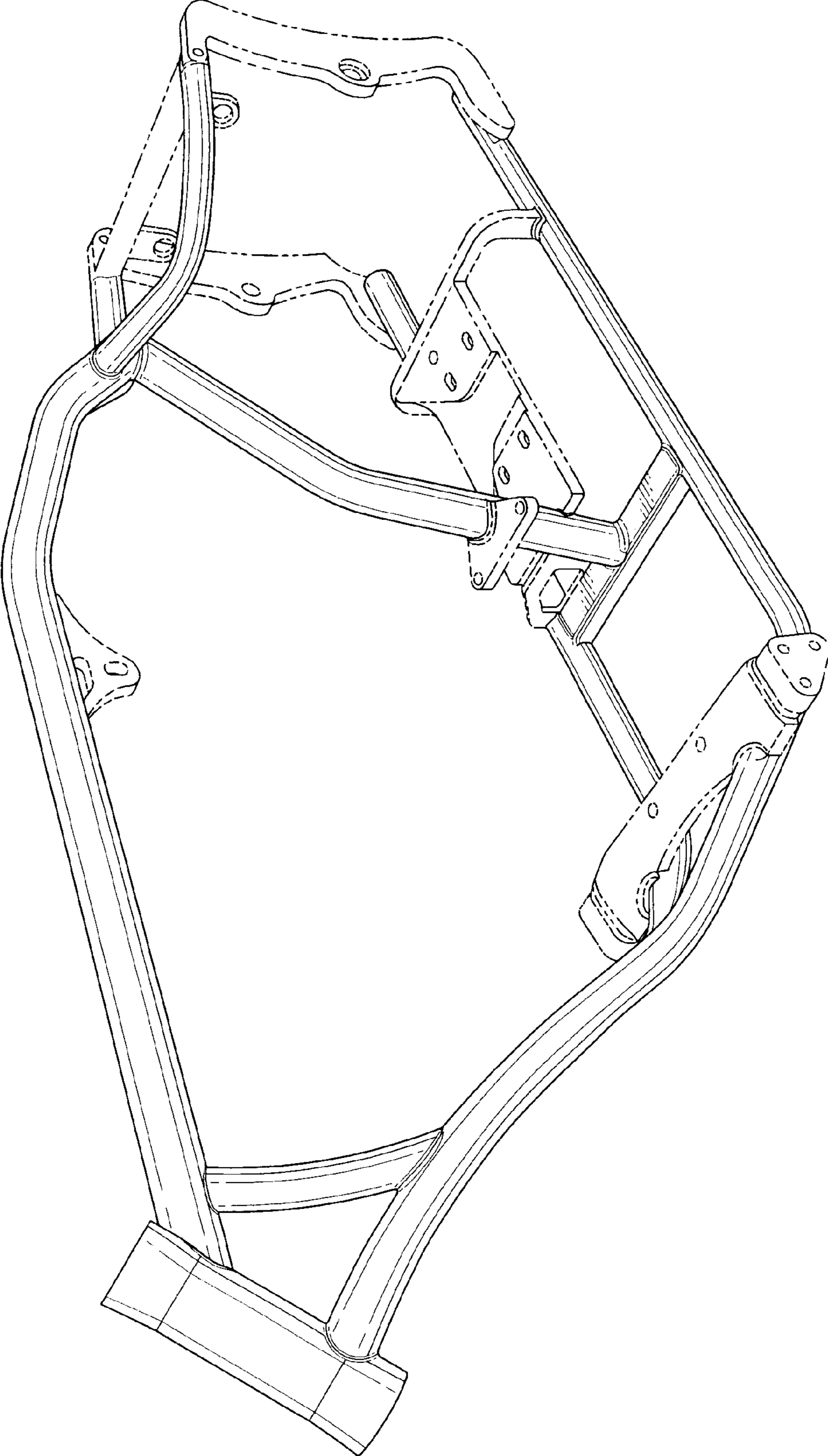


FIG. 1

FIG. 2

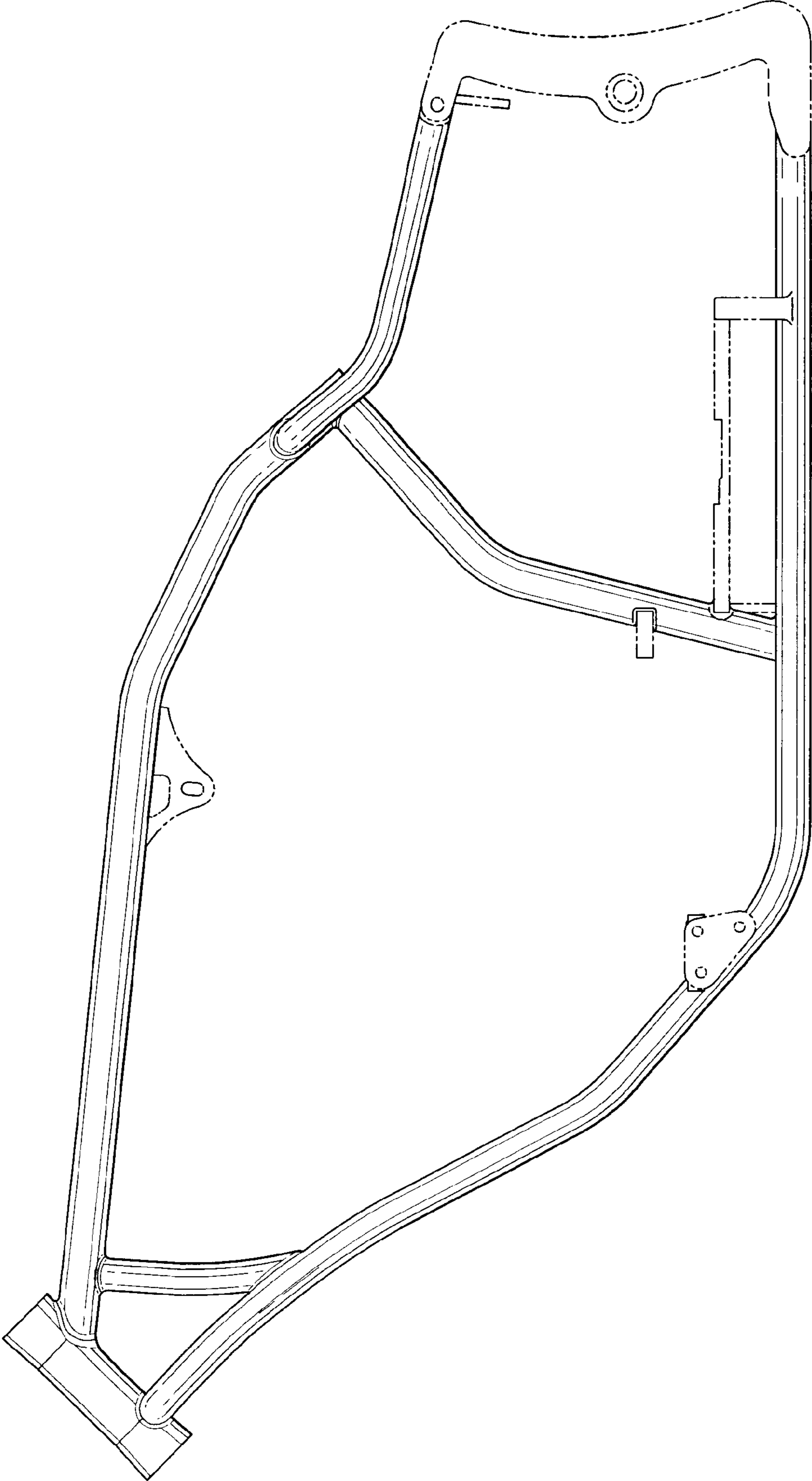


FIG. 3

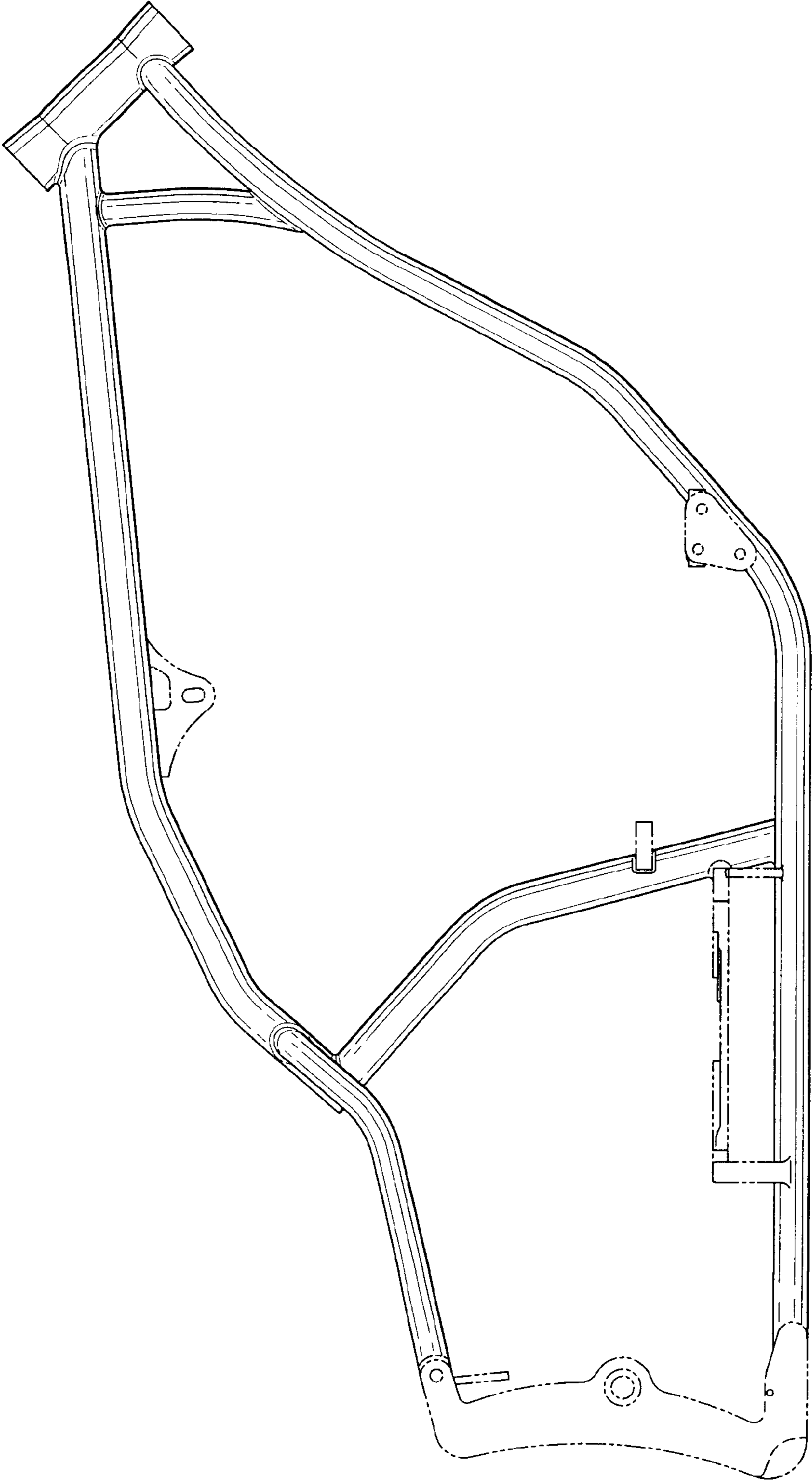


FIG. 4

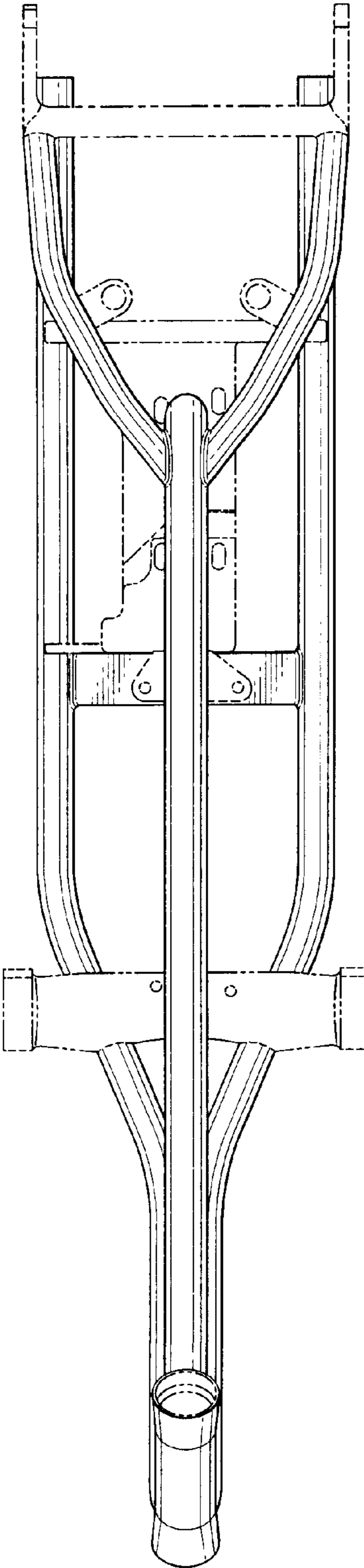


FIG. 5

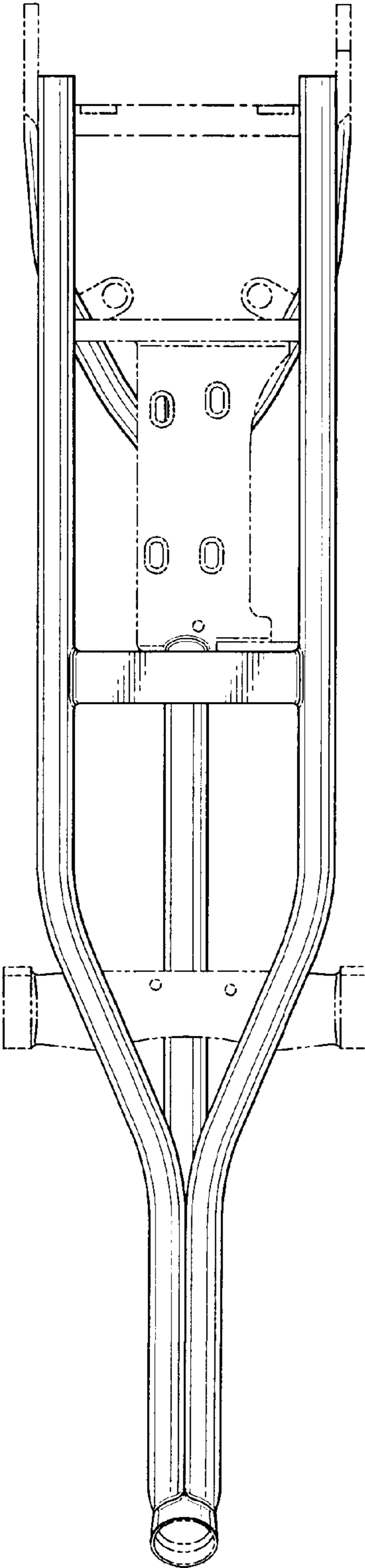


FIG. 7

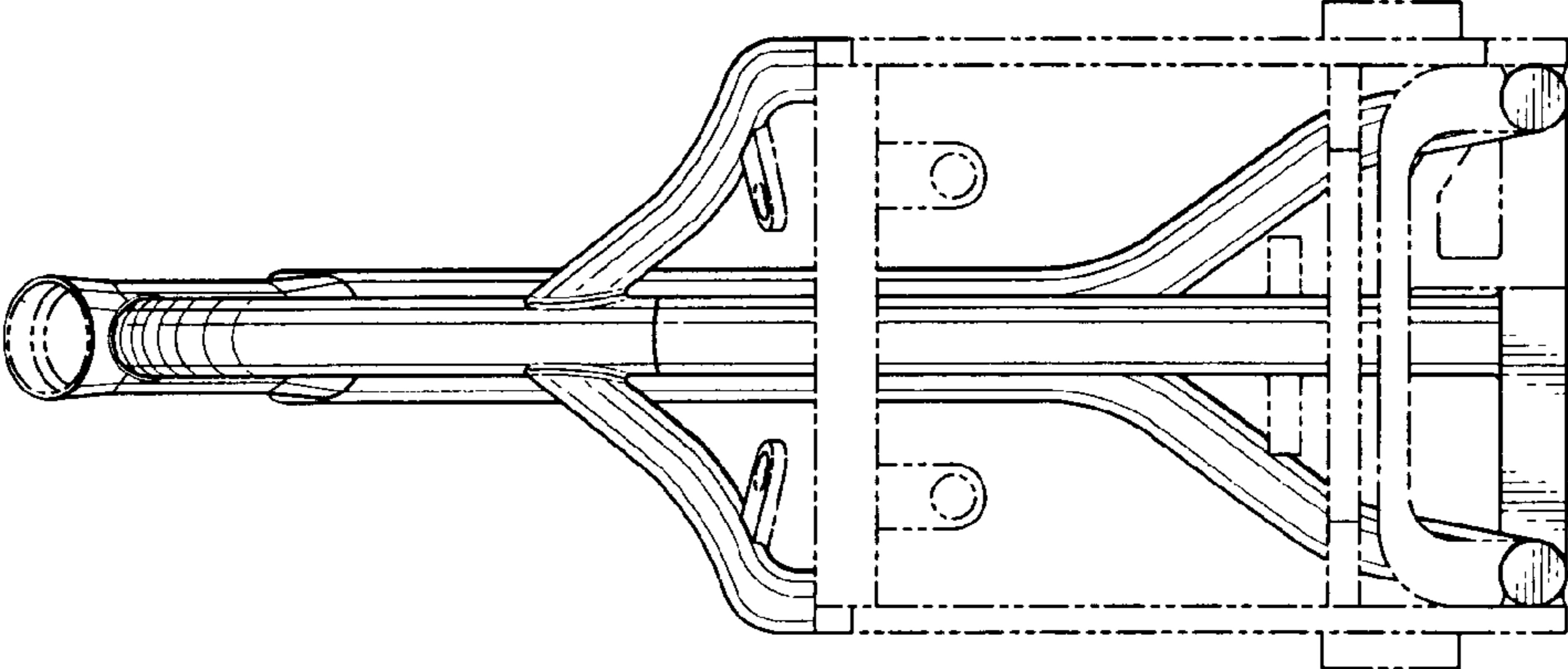


FIG. 6

