



US00D517449S

(12) **United States Design Patent**
Depeyster et al.

(10) **Patent No.: US D517,449 S**

(45) **Date of Patent: ** *Mar. 21, 2006**

(54) **PICK UP TRUCK**

D466,451 S * 12/2002 Trostle et al. D12/98
D479,158 S * 9/2003 Hayashi et al. D12/98

(75) Inventors: **Damon Depeyster**, Harper Woods, MI (US); **James Grake**, Royal Oak, MI (US); **Lon Zaback**, Farmington Hills, MI (US); **Patrick Schiavone**, Birmingham, MI (US); **Sean Tant**, Livonia, MI (US)

* cited by examiner

Primary Examiner—Melody N. Brown
(74) *Attorney, Agent, or Firm*—Artz & Artz, P.C.; Damian Porcari

(73) Assignee: **Ford Global Technologies, LLC**, Dearborn, MI (US)

(57) **CLAIM**

The ornamental design for a pick up truck, as shown and described.

(*) Notice: This patent is subject to a terminal disclaimer.

DESCRIPTION

(**) Term: **14 Years**

FIG. 1 is a perspective view of a pick up truck in accordance with a preferred embodiment of the present invention; FIG. 2 is another perspective view of a pick up truck in accordance with a preferred embodiment of the present invention;

(21) Appl. No.: **29/172,212**

(22) Filed: **Dec. 9, 2002**

FIG. 3 is a side view of a pick up truck in accordance with a preferred embodiment of the present invention;

(51) **LOC (8) Cl.** **12-08**

(52) **U.S. Cl.** **D12/98**

(58) **Field of Classification Search** D12/93,
D12/98; 296/183.1

FIG. 4 is a front view of a pick up truck in accordance with a preferred embodiment of the present invention; and,

FIG. 5 is a rear view of a pick up truck in accordance with a preferred embodiment of the present invention.

See application file for complete search history.

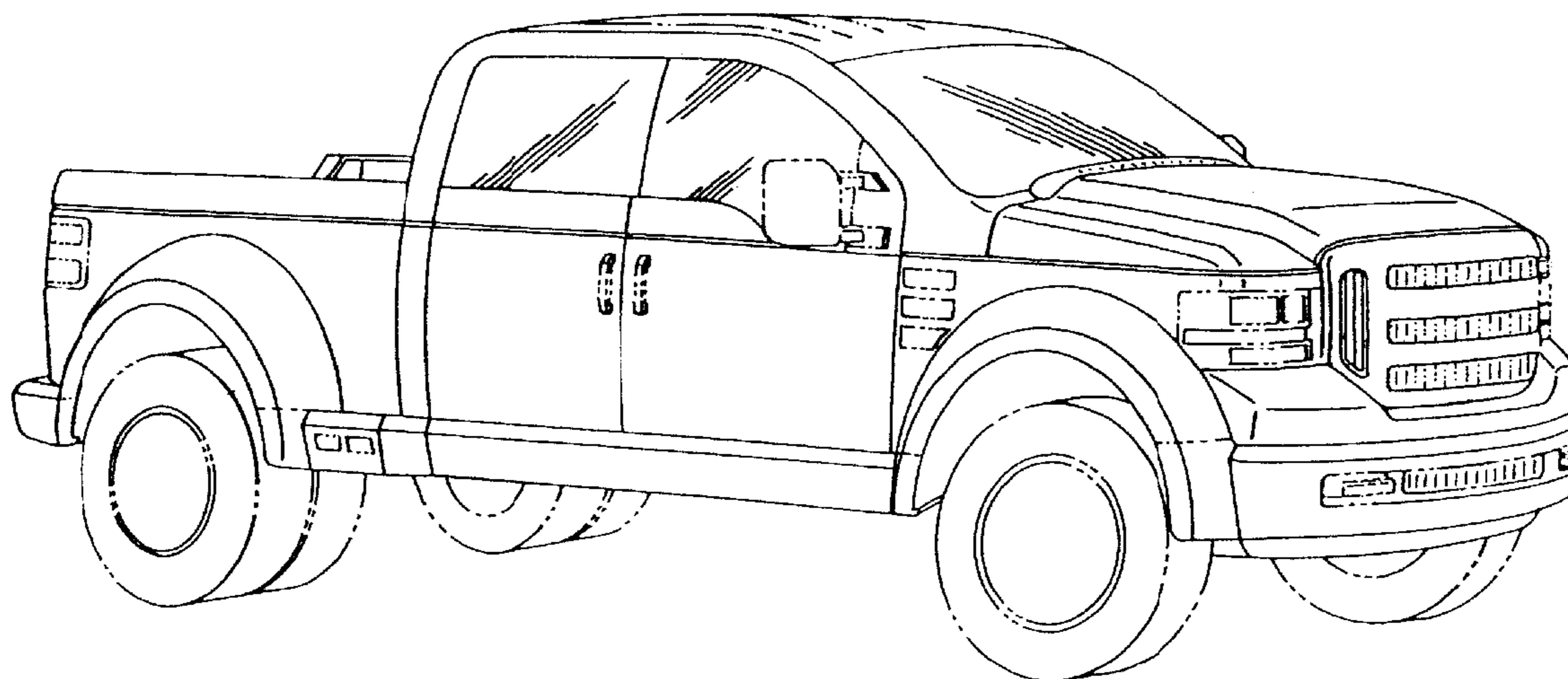
The bottom view of the vehicle is not part of the claimed design. The sides of the vehicle are mirror images of one another. The broken lines, including for the tires and the headlamps, illustrate the environment of the design and are not part of the claimed design.

(56) **References Cited**

U.S. PATENT DOCUMENTS

D430,068 S * 8/2000 Castiglione et al. D12/98
D456,311 S * 4/2002 Yamamoto et al. D12/86

1 Claim, 4 Drawing Sheets



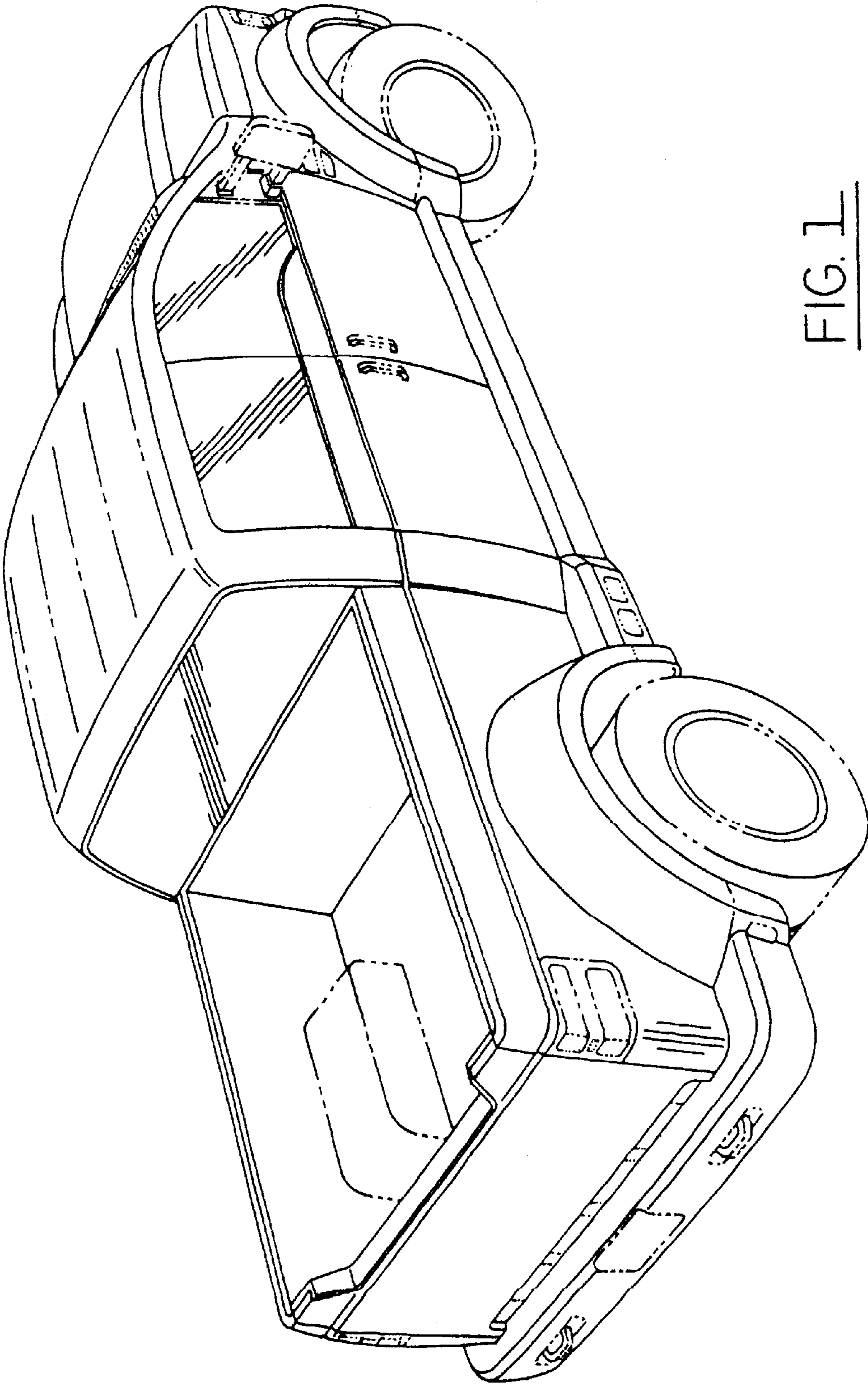


FIG. 1

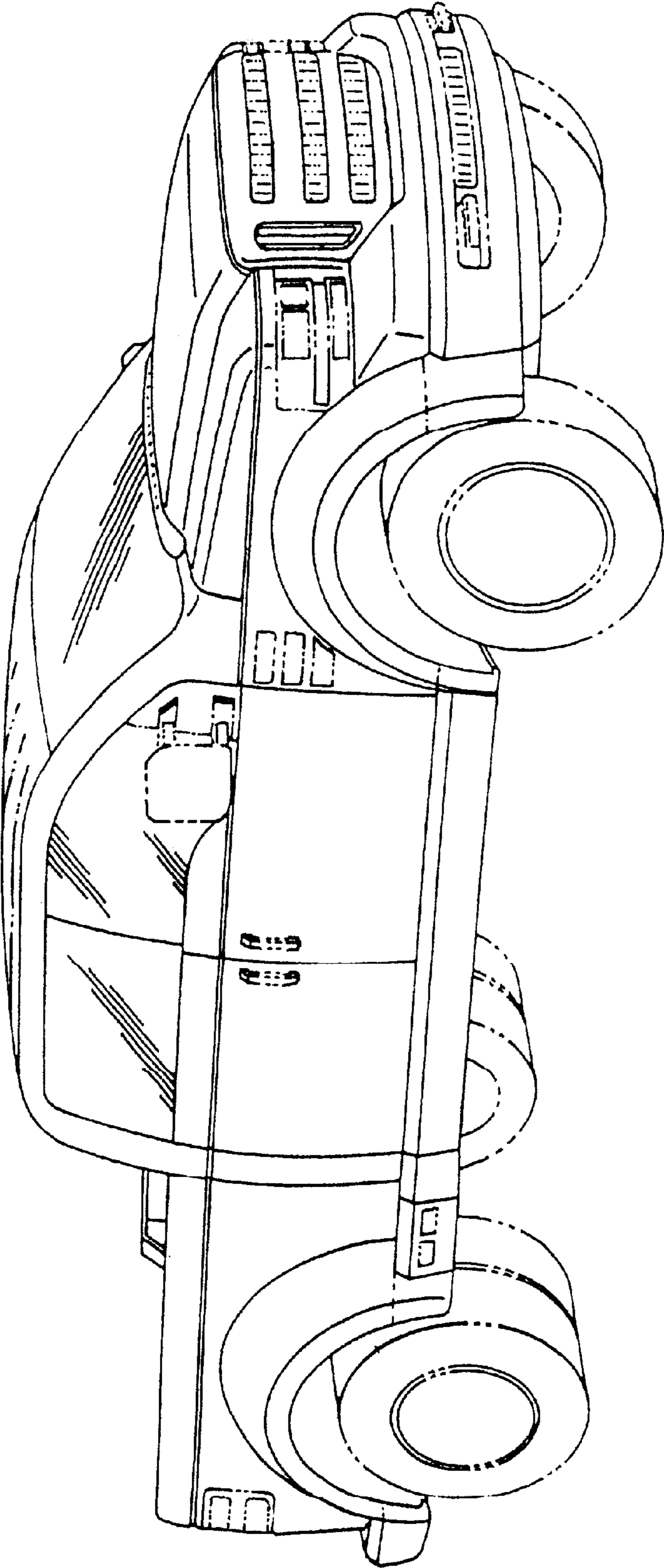


FIG. 2

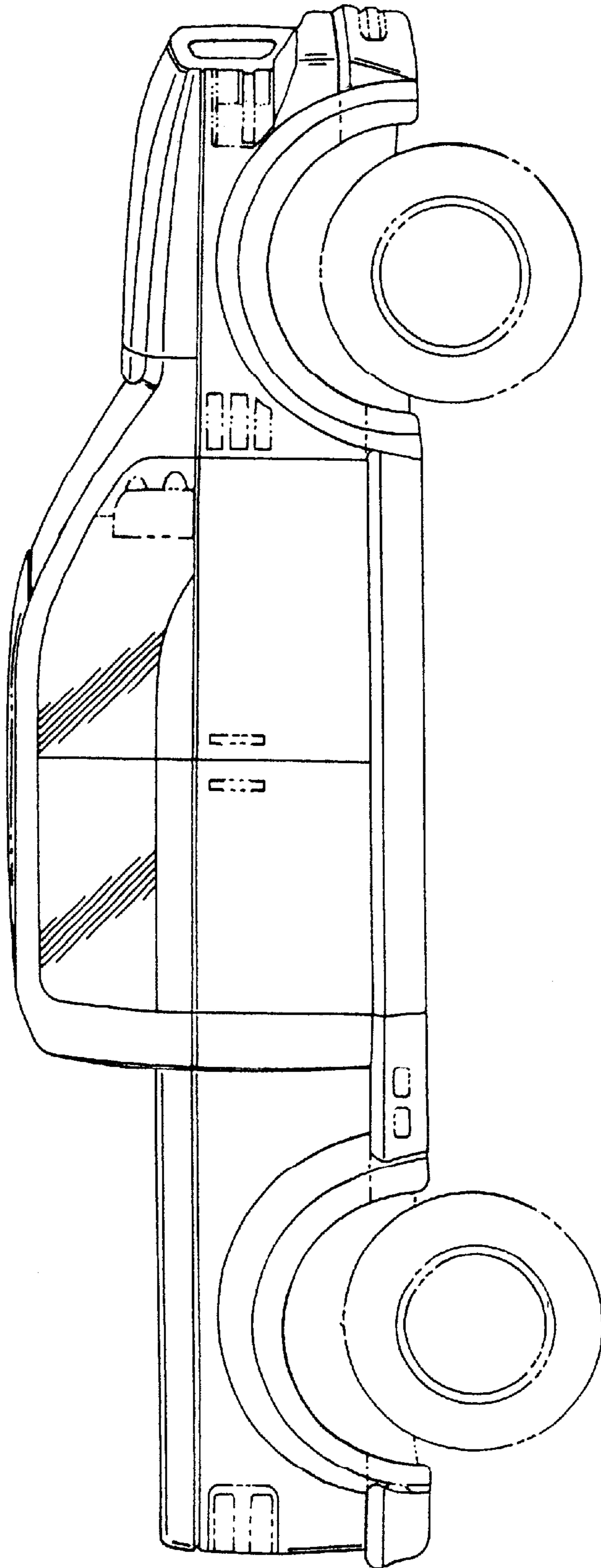


FIG. 3

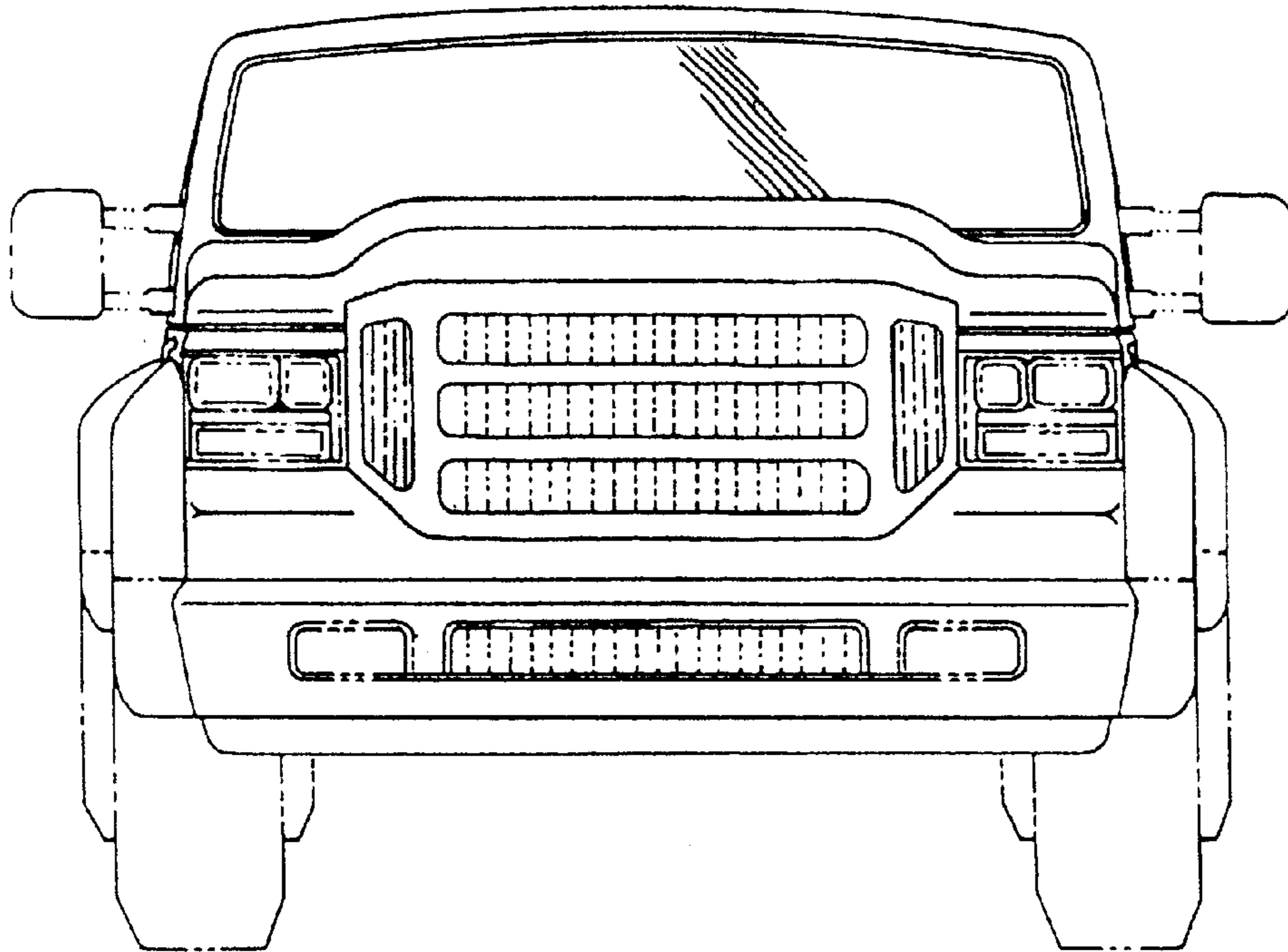


FIG. 4

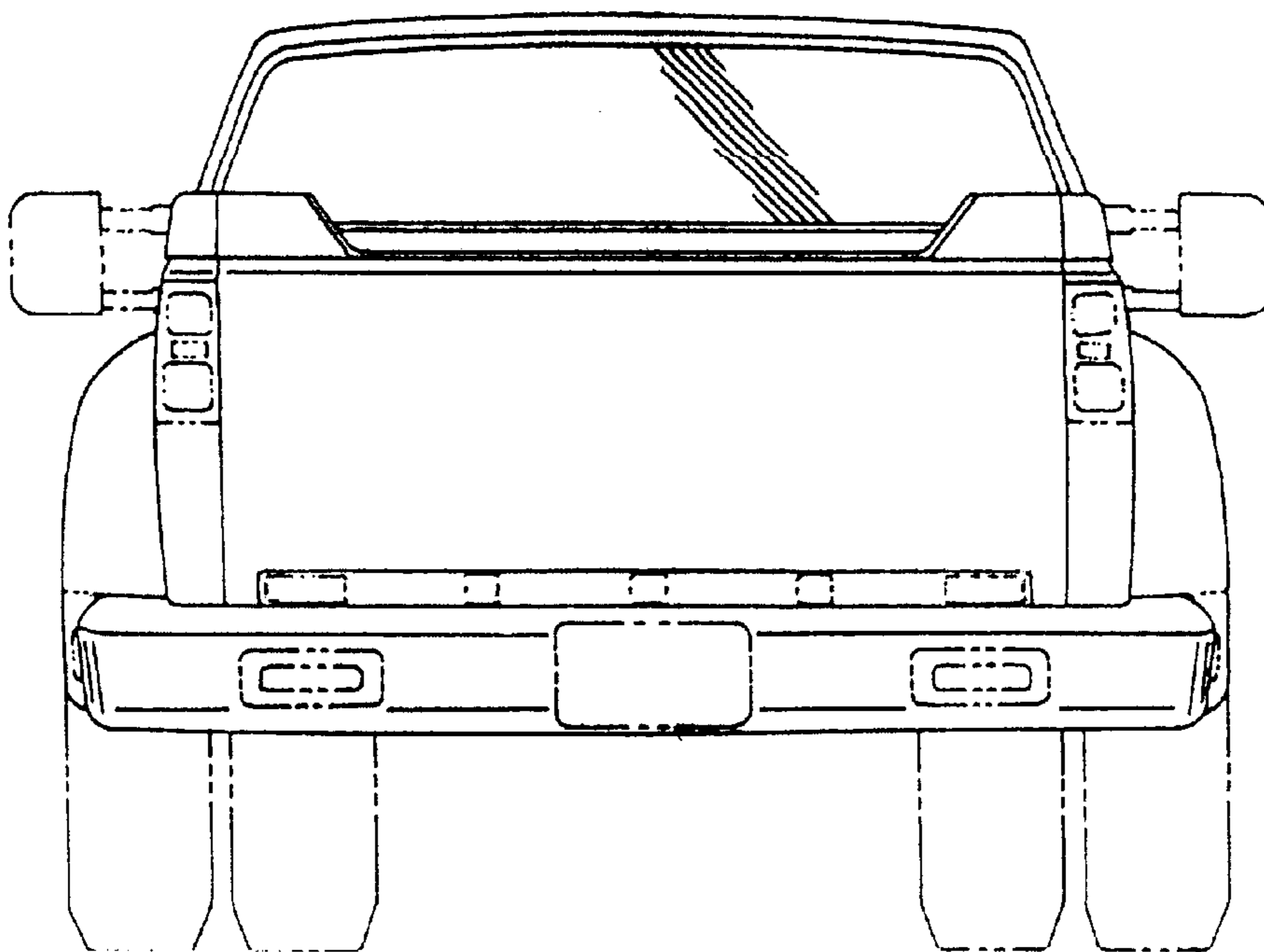


FIG. 5