



US00D517446S

(12) **United States Design Patent**
Thorsteinsson

(10) **Patent No.:** **US D517,446 S**
(45) **Date of Patent:** **** Mar. 21, 2006**

- (54) **DECORATIVE ARTICLE**
- (75) **Inventor:** **Sigurdur Thorsteinsson, Milan (IT)**
- (73) **Assignee:** **3M Innovative Properties Company, St. Paul, MN (US)**
- (**) **Term:** **14 Years**
- (21) **Appl. No.:** **29/219,429**
- (22) **Filed:** **Dec. 16, 2004**
- (51) **LOC (8) Cl.** **11-02**
- (52) **U.S. Cl.** **D11/158; D9/625; D9/451; D21/659; D19/57; D11/160**
- (58) **Field of Classification Search** D21/576-661, D21/386, 388, 493; D1/102, 104, 107, 108, D1/109, 199; D3/271.3, 271.4; D4/101, 102, D4/125, 126; D7/506, 515, 517, 301, 302, D7/593, 594, 595, 599, 619.2, 675, 628, 636, D7/639; D9/601-632, 715, 719, 727, 729, D9/739, 501, 517, 548, 434, 441, 451, 455; D11/125, 127, 128, 130, 131, 157, 158, 160, D11/164; D19/36, 42, 54, 57, 66, 71, 75, D19/77, 82, 85, 94-97; D24/198, 199; D26/4, D26/7, 9, 10, 17, 18, 23, 38, 47, 57, 98, 99, D26/125, 126, 142, 147, 156; D27/149; D28/7, D28/18, 73, 76, 77, 84, 87; D99/38, 39; 446/69.72-75.97, 446/99, 100, 268, 320, 321, 390, 391, 475; 206/457; 428/7-9, 13, 15, 16, 542.2, 542; 401/48, 52, 88, 89, 98, 131, 195
See application file for complete search history.

D253,484 S * 11/1979 Saitoh D21/594
 D265,742 S 8/1982 Wilcox
 D271,404 S 11/1983 Chan

(Continued)

FOREIGN PATENT DOCUMENTS

DE 86 12 862 9/1986
 EP 0 451 246 A1 10/1991
 WO WO 99/42016 8/1999
 WO WO 03/008296 A1 1/2003

OTHER PUBLICATIONS

Fig. 1—Glue stick with spaceship decoration, commercially available before Dec. 16, 2004 from Henkel, Germany.
 Fig. 2—Glue stick with spaceperson decoration, commercially available before Dec. 16, 2004 from Henkel, Germany.
 Fig. 2.1—Decorative glue stick of Fig. 2, with packaging removed.
 Fig. 2.2—Decorative glue stick of Fig. 2.1, with decorative portion removed from glue stick.

Primary Examiner—Catherine Tuttle
 (74) *Attorney, Agent, or Firm*—Trisha D. Adamson; Yen Tong Florczak

(57) **CLAIM**

The ornamental design for a decorative article, as shown and described.

DESCRIPTION

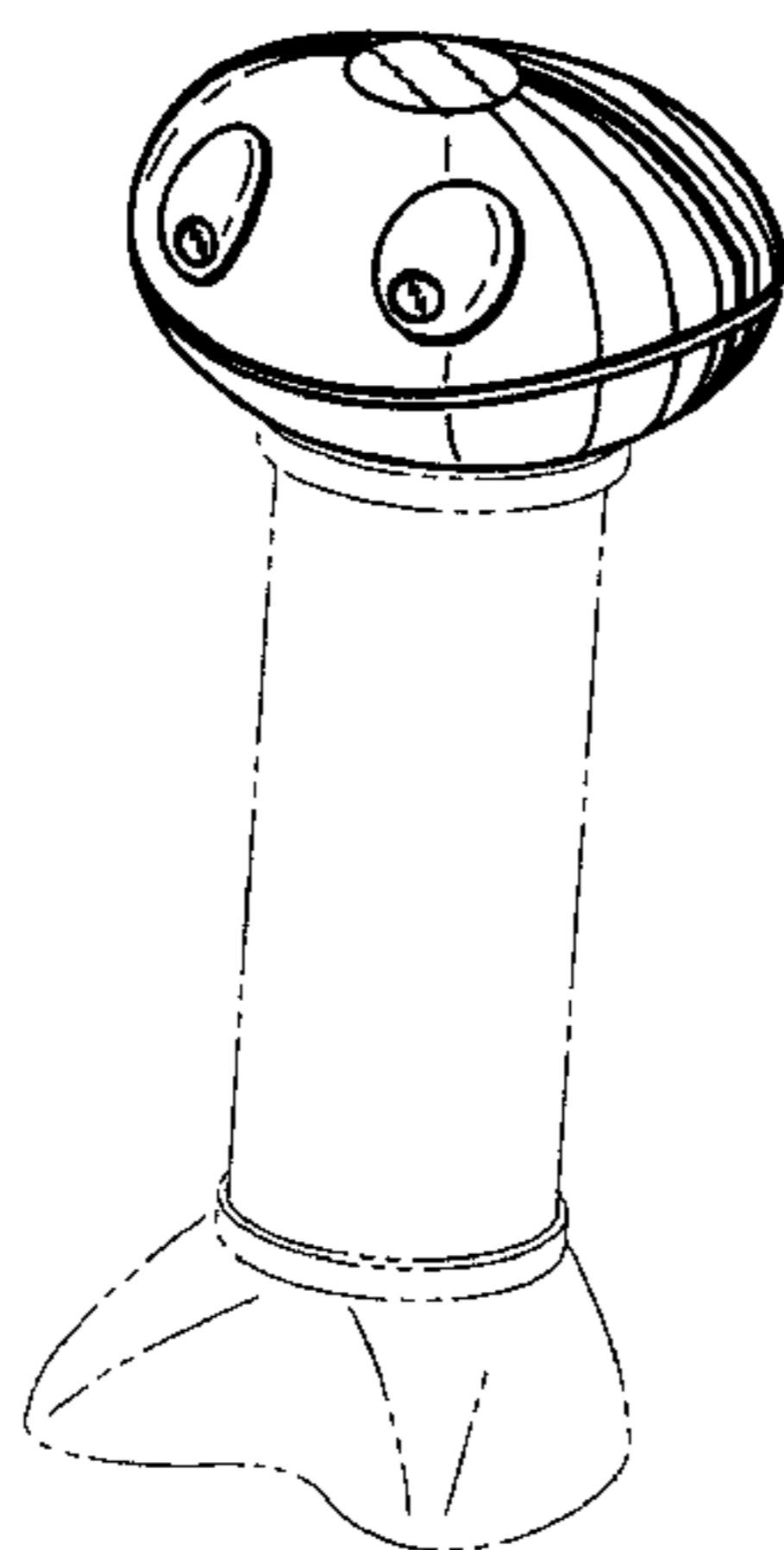
FIG. 1 is a perspective view of a decorative article according to the present invention;
 FIG. 2 is a front view of the decorative article of FIG. 1;
 FIG. 3 is a back view of the decorative article of FIG. 1;
 FIG. 4 is a right side view of the decorative article of FIG. 1, the left hand view being the mirror image thereof;
 FIG. 5 is a top plan view of the decorative article of FIG. 1; and,
 FIG. 6 is a bottom plan view of the decorative article of FIG. 1.
 The structure depicted by means of broken lines in the figures has been shown for illustrative purposes only and forms no part of the claimed design.

1 Claim, 2 Drawing Sheets

(56) **References Cited**

U.S. PATENT DOCUMENTS

2,932,125 A * 4/1960 McAllister 446/376
 D192,040 S 1/1962 Goldman et al.
 D201,761 S 7/1965 Levy
 3,264,160 A 8/1966 Donofrio
 D215,223 S * 9/1969 Goldfarb et al. D21/386
 D232,115 S 7/1974 Luzius et al.
 D239,636 S 4/1976 Knudsen et al.
 D240,844 S * 8/1976 Satten D21/405
 D252,807 S * 9/1979 Schnyderite et al. D11/158



US D517,446 S

Page 2

U.S. PATENT DOCUMENTS

4,468,146 A	8/1984	Tabachnik		D422,653 S	4/2000	Hedberg et al.	
D276,899 S	* 12/1984	Deeley et al.	D11/158	D424,135 S	5/2000	Hedberg et al.	
4,671,514 A	6/1987	Wilson-Diehl		6,059,472 A	5/2000	Yeh	
D294,843 S	3/1988	Lund		D430,237 S	* 8/2000	Kwok	D21/578
D324,087 S	2/1992	Crider		D438,271 S	2/2001	Wall	
D60,908 S	4/1992	Karpen		6,247,730 B1	* 6/2001	Henderson et al.	281/51
D329,507 S	9/1992	Assmann		6,332,727 B1	12/2001	Hsu	
D343,431 S	1/1994	Kane		D456,741 S	5/2002	Domenig	
5,310,380 A	5/1994	Levy et al.		D457,101 S	* 5/2002	Domenig	D11/160
D366,673 S	1/1996	Harling-Berg		D470,199 S	2/2003	Manville	
5,675,859 A	10/1997	Barre		D470,886 S	2/2003	Sheng	
D387,400 S	12/1997	Grasso		D500,819 S	1/2005	Aoki	
D404,440 S	1/1999	Watanabe		2004/0055920 A1	3/2004	Perez	
5,927,881 A	* 7/1999	Yang	401/29				

* cited by examiner

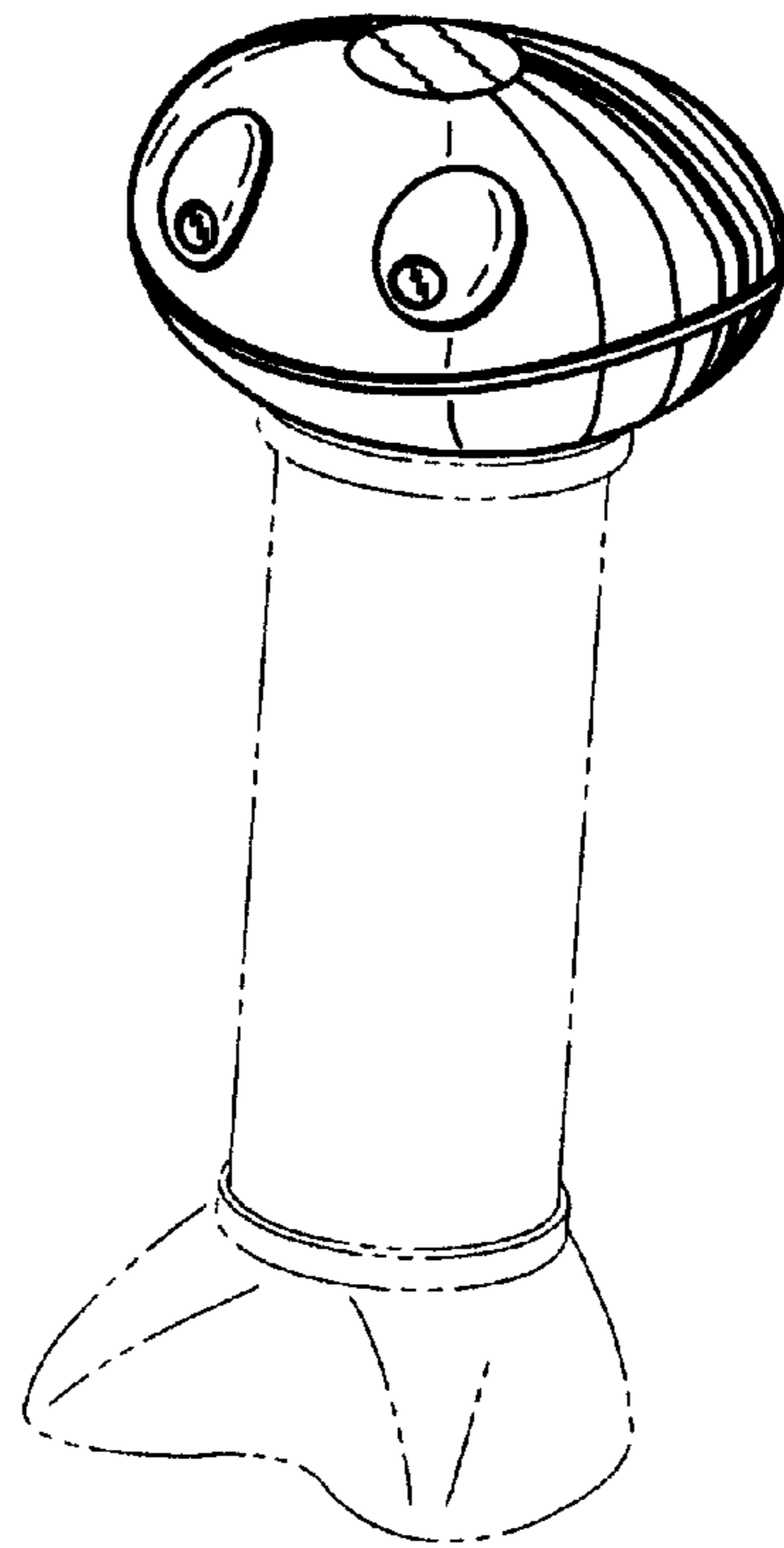


Fig. 1

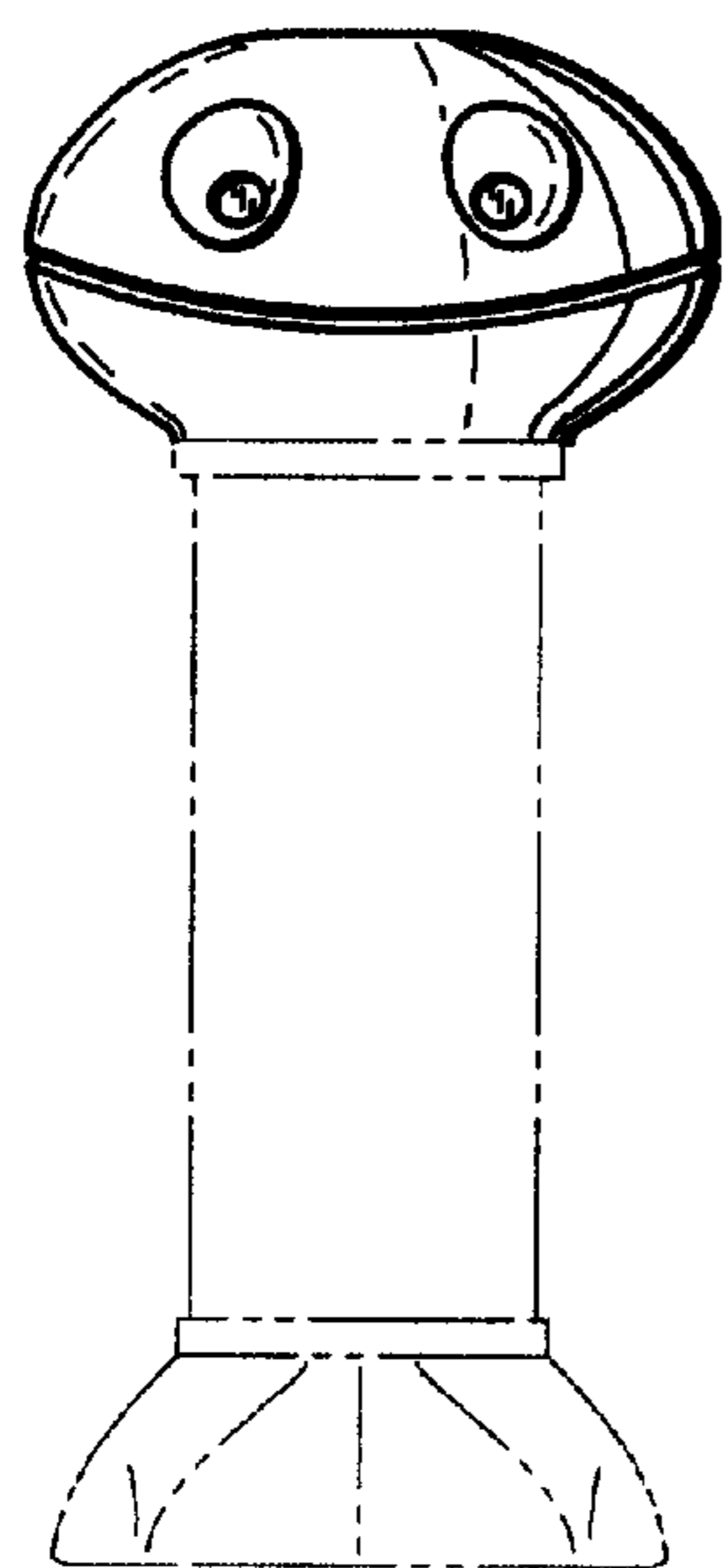


Fig. 2

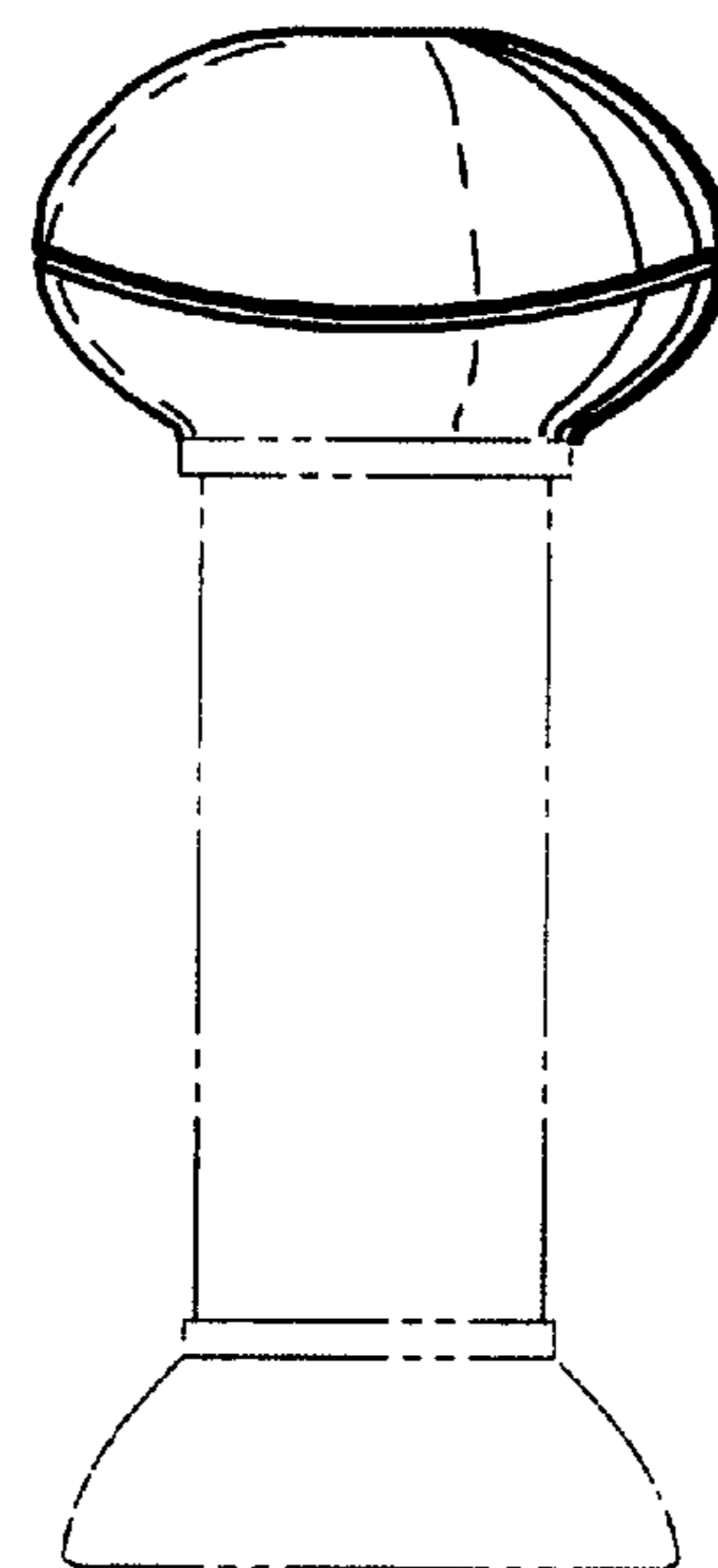


Fig. 3

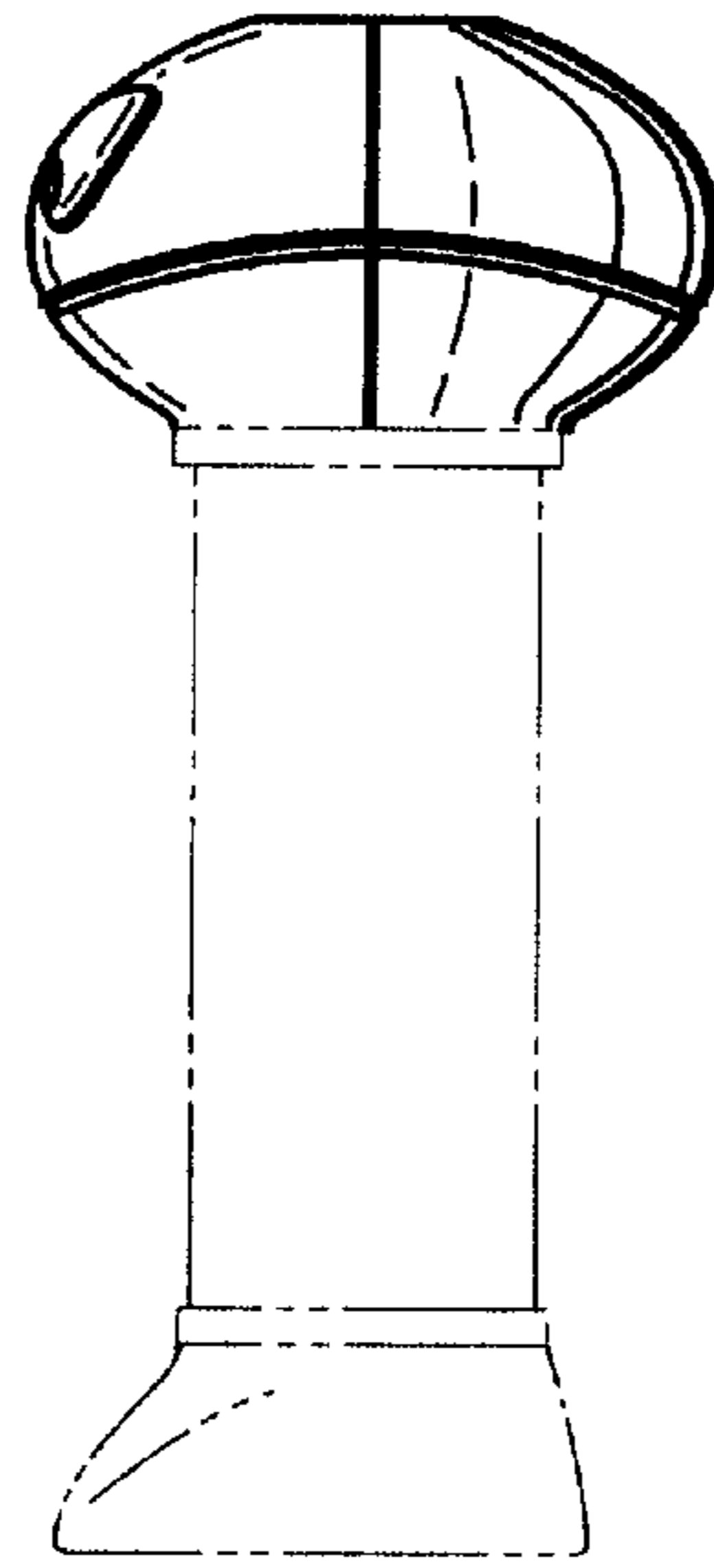


Fig. 4

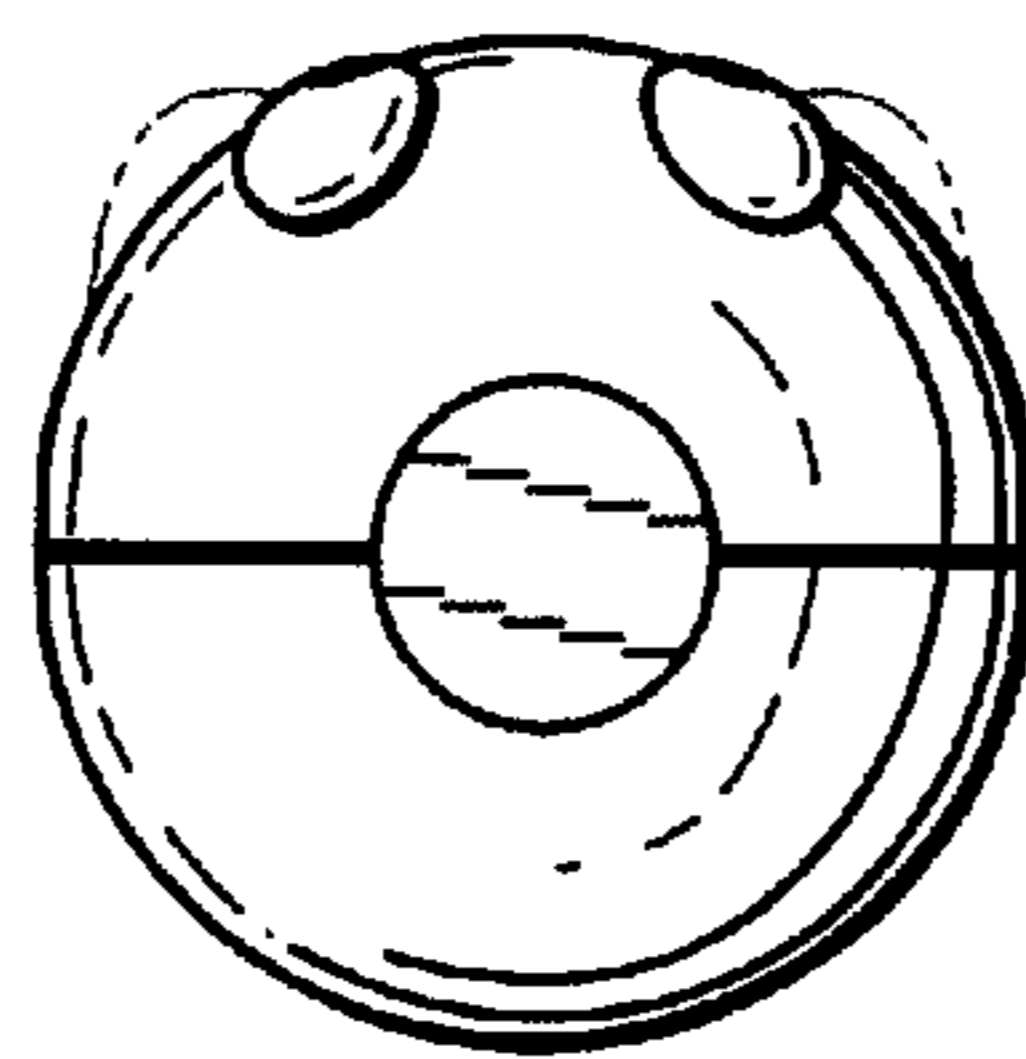


Fig. 5

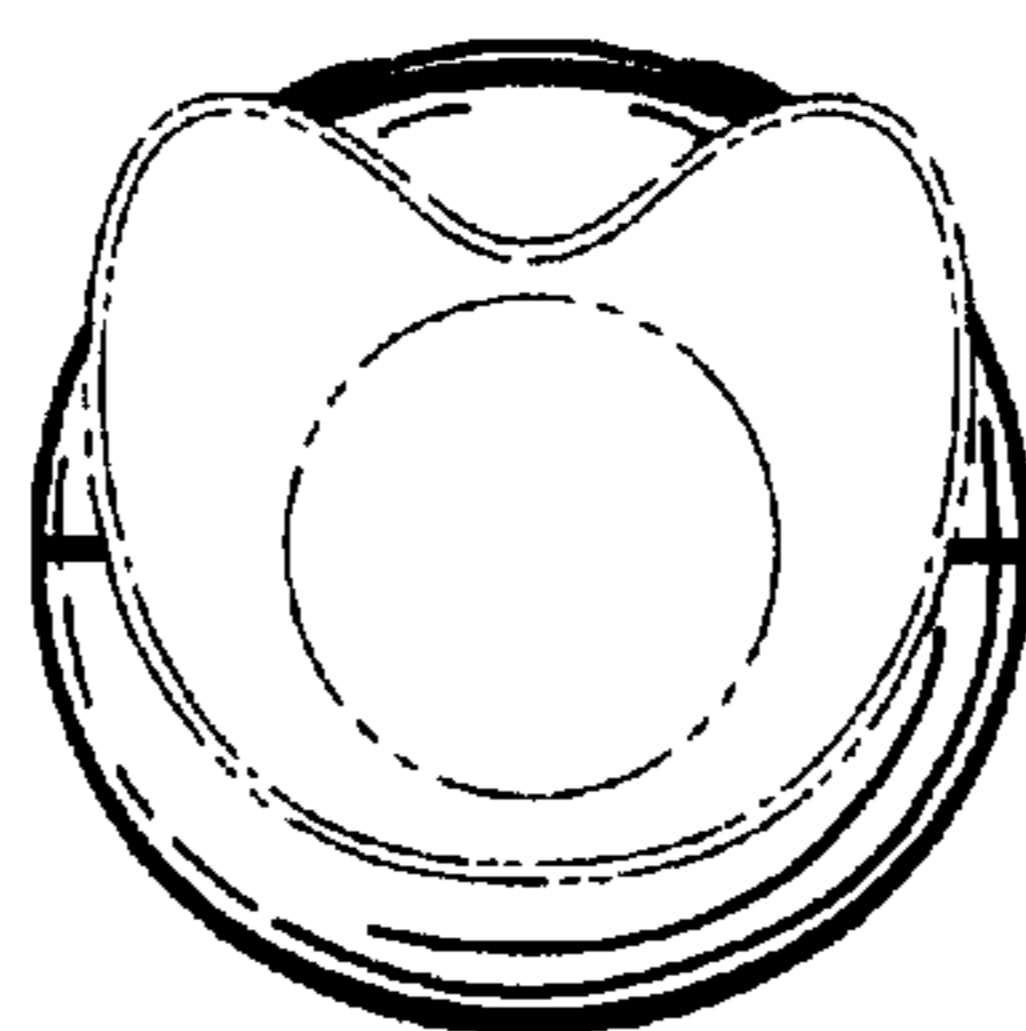


Fig. 6