



US00D517441S

(12) **United States Design Patent**  
**Heatherly et al.**

(10) **Patent No.:** **US D517,441 S**  
(45) **Date of Patent:** **\*\* Mar. 21, 2006**

(54) **WATCH FASTENER**

(75) Inventors: **Chris Heatherly**, Pasadena, CA (US);  
**Stephanie Kraus-Wuthrich**, Glendale,  
CA (US); **John Holland**, San Francisco,  
CA (US); **Julie Nishioka**, Glendale, CA  
(US); **Randal Ouye**, La Crescenta, CA  
(US); **Jeffrey Sand**, San Francisco, CA  
(US)

(73) Assignee: **Disney Enterprises, Inc.**, Burbank, CA  
(US)

(\*\*) Term: **14 Years**

(21) Appl. No.: **29/192,956**

(22) Filed: **Oct. 30, 2003**

(51) **LOC (8) Cl.** ..... **11-01**

(52) **U.S. Cl.** ..... **D11/3**

(58) **Field of Classification Search** ..... D11/3-5,  
D11/9, 1, 2, 13, 22; D2/610, 873-874, 858;  
D18/27; D14/492-493; D10/31-32; 224/176;  
368/282; 40/300, 633; 340/573.1-573.4;  
63/3, 12, 21-25

See application file for complete search history.

(56) **References Cited**

**U.S. PATENT DOCUMENTS**

D285,288 S \* 8/1986 Chau ..... D10/32

D325,877 S \* 5/1992 Fong ..... D10/32  
D349,864 S \* 8/1994 Dunlap et al. .... D11/3  
D379,940 S \* 6/1997 Riley ..... D11/3  
D410,406 S \* 6/1999 Iwamoto et al. .... D11/3  
D428,353 S \* 7/2000 Duncan ..... D11/5  
D454,801 S \* 3/2002 Moy ..... D10/32  
D507,498 S \* 7/2005 Hung ..... D10/31

\* cited by examiner

*Primary Examiner*—Ian Simmons

*Assistant Examiner*—Sarah Gill

(74) *Attorney, Agent, or Firm*—Pablo E. Tapia; Neer Gupta  
Greenberg Traurig, LLP

(57) **CLAIM**

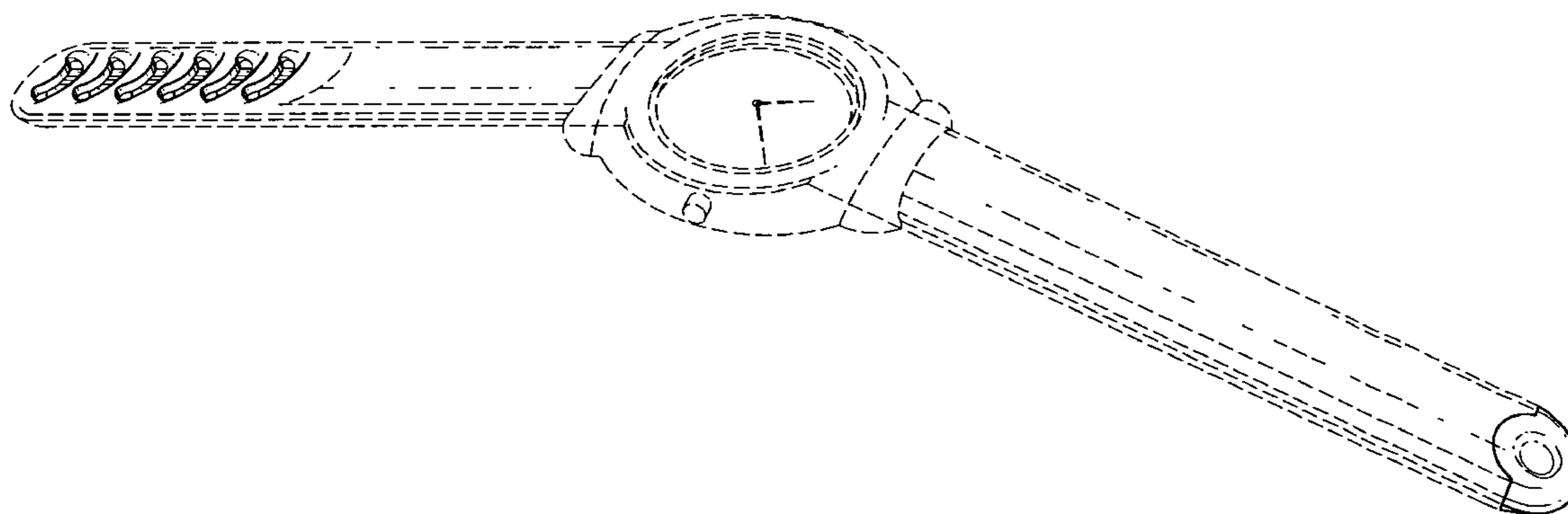
The ornamental design for a watch fastener, as shown and  
described.

**DESCRIPTION**

FIG. 1 is a perspective view of our claimed design;  
FIG. 2 is a side view thereof, with the opposite side being a  
mirror image;  
FIG. 3 is a top view thereof; and,  
FIG. 4 is a bottom view thereof.

The broken lines are for illustrative purposes only and form  
no part of the claimed design.

**1 Claim, 4 Drawing Sheets**



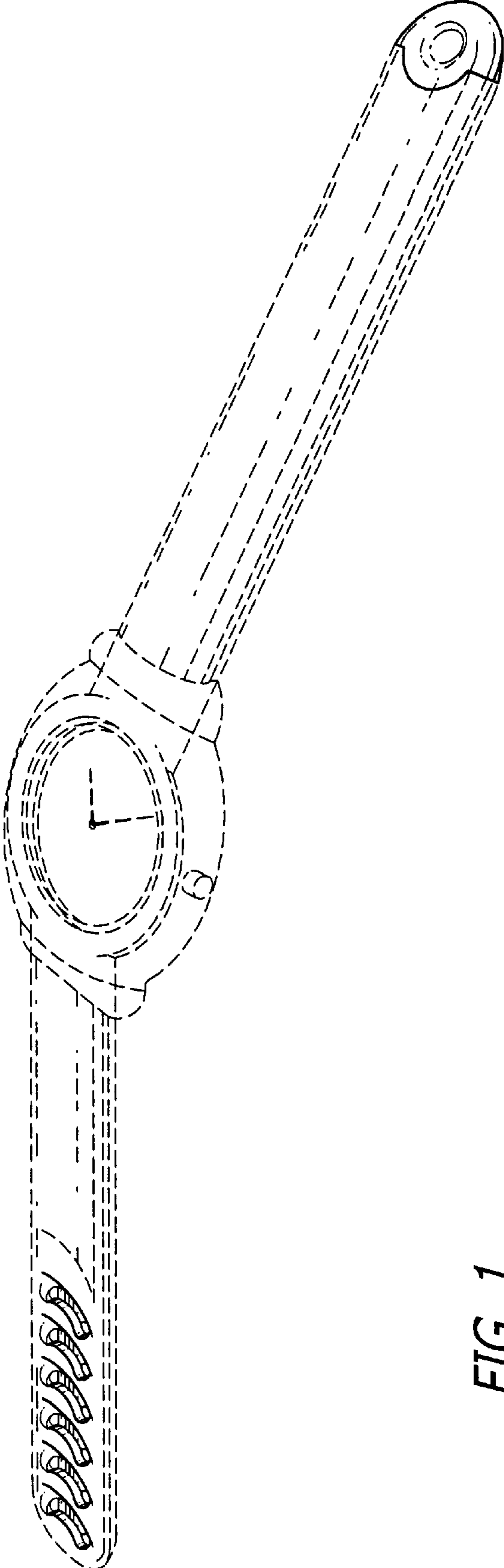


FIG. 1

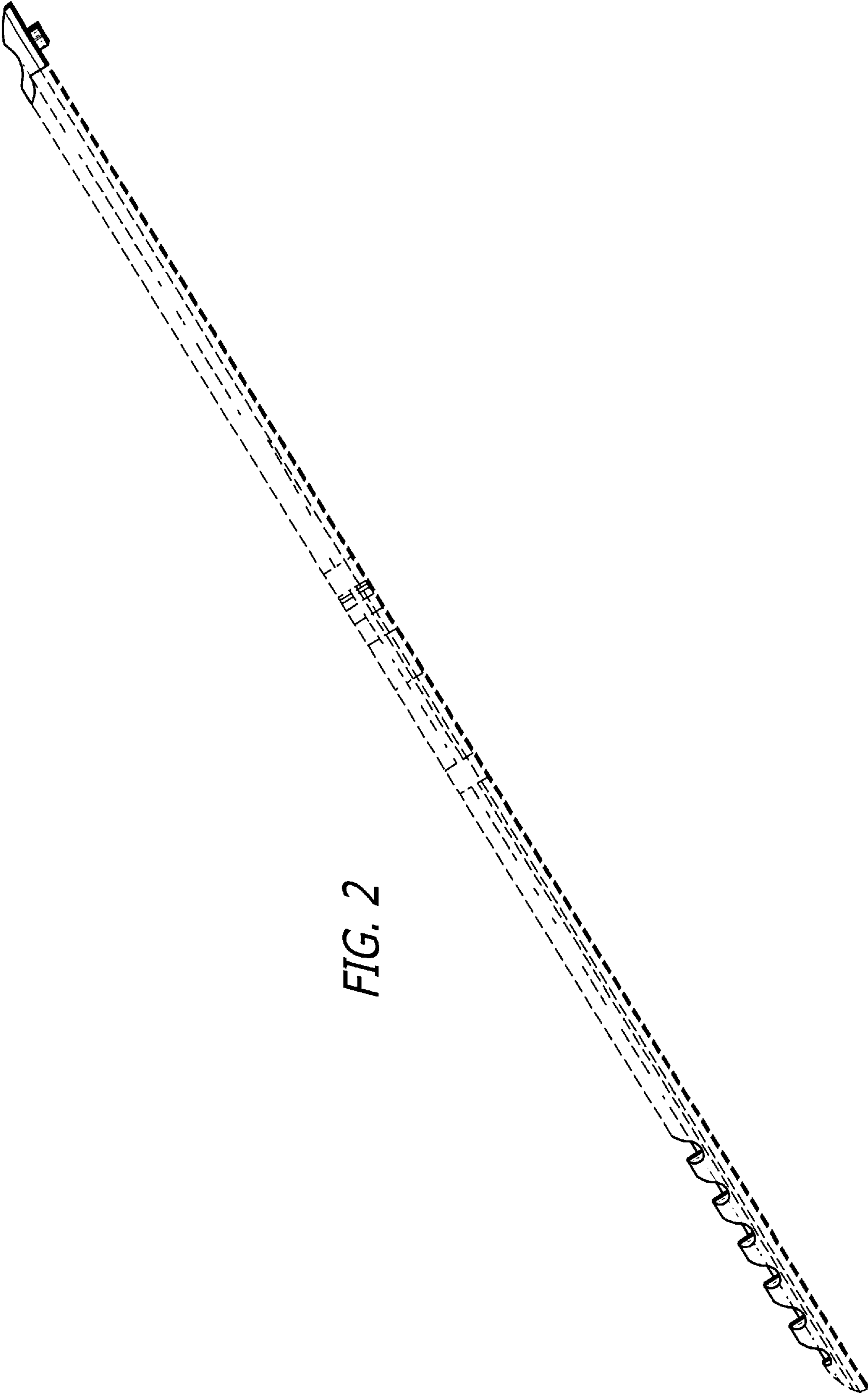


FIG. 2

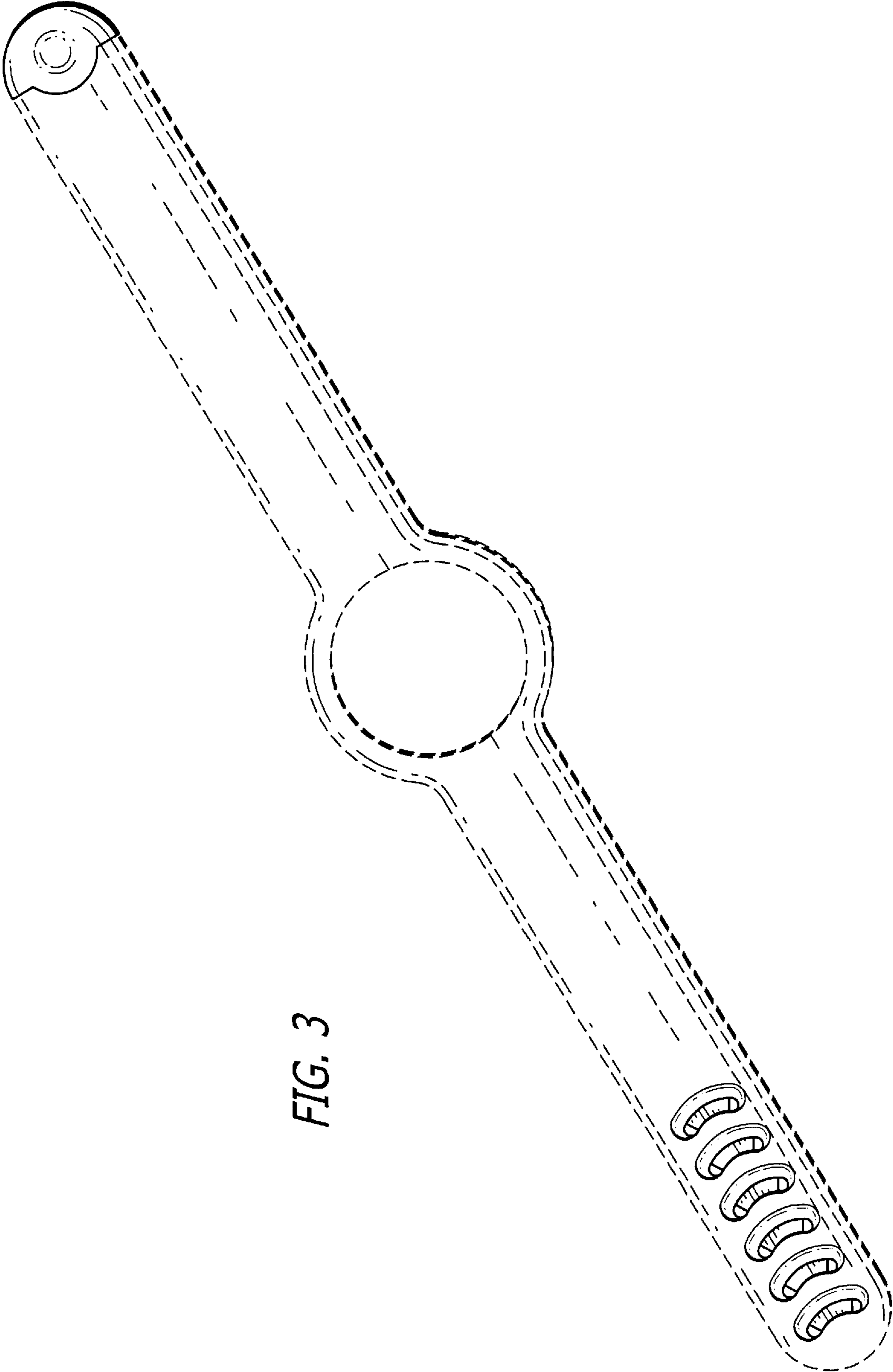


FIG. 3

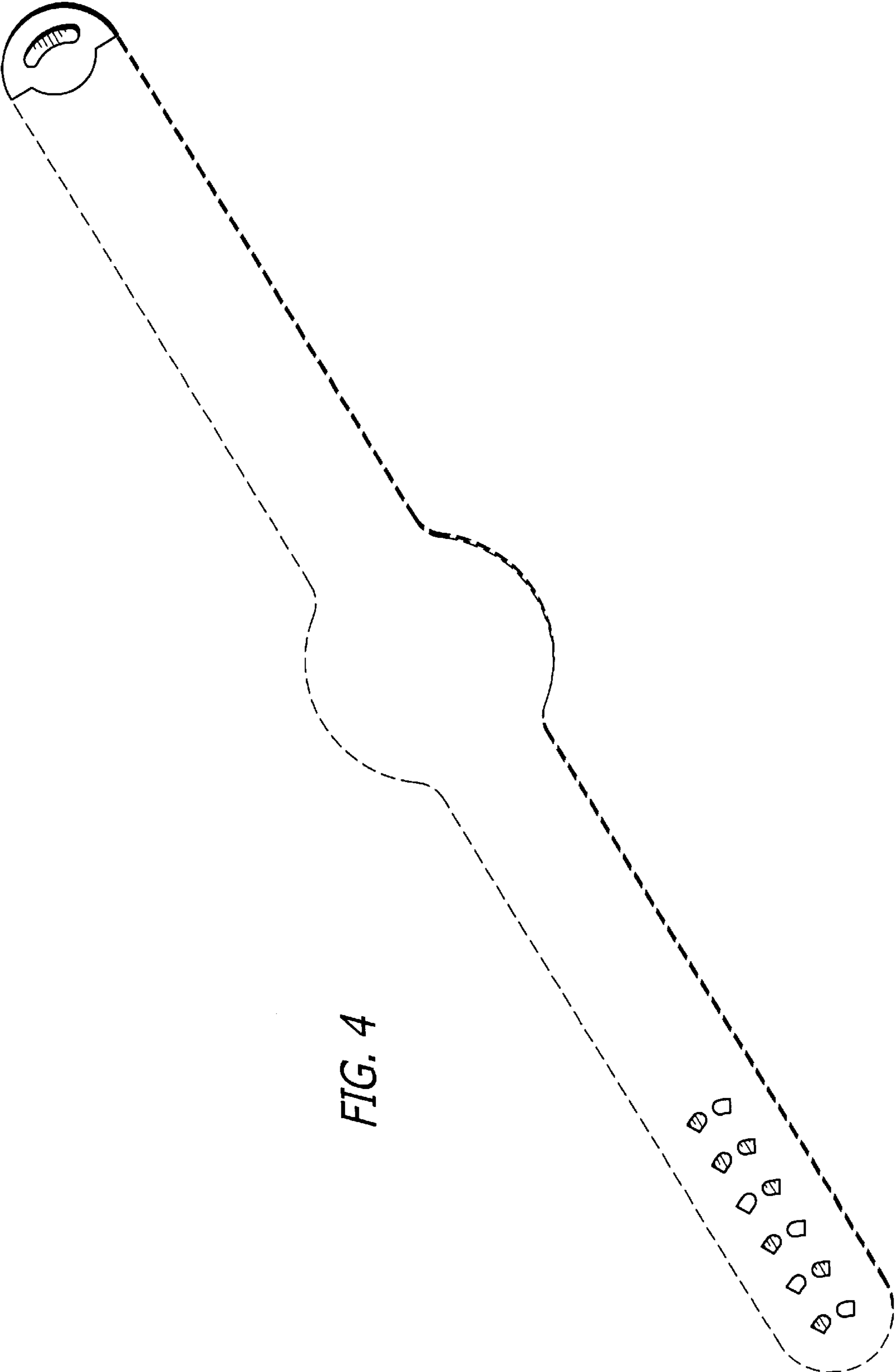


FIG. 4