



US00D517440S

(12) **United States Design Patent** (10) **Patent No.:** **US D517,440 S**
Gehalo et al. (45) **Date of Patent:** **** Mar. 21, 2006**

(54) **SECURITY DEVICE**

(75) Inventors: **Kenneth M. Gehalo**, Fremont, NH (US); **Edward W. Vipond**, Leominster, MA (US); **Carolus Thijssen**, San Mateo, CA (US); **William Wrightson**, Plano, TX (US)

(73) Assignee: **RSA Security Inc.**, Bedford, MA (US)

(**) Term: **14 Years**

(21) Appl. No.: **29/214,508**

(22) Filed: **Oct. 4, 2004**

(51) **LOC (8) Cl.** **10-05**

(52) **U.S. Cl.** **D10/106; D10/121**

(58) **Field of Classification Search** D21/329, D21/513; D14/225, 217, 137, 138, 218, 147; D10/104, 106, 121, 116; D3/230, 280; D13/184, D13/168; 374/141; 340/573.1, 539.15, 573.4, 340/426.25, 426.24, 426.19, 426.1, 426.21; 455/84, 128; 206/305; 382/115, 118; 705/41; 713/185

See application file for complete search history.

(56) **References Cited**

U.S. PATENT DOCUMENTS

D244,700 S	*	6/1977	Pulos et al.	D14/225
D284,761 S	*	7/1986	Ryan	D14/147
D341,097 S	*	11/1993	Mounsey	D10/106
D363,720 S	*	10/1995	Lagohm	D14/218
D376,366 S	*	12/1996	Patton et al.	D14/218
5,644,295 A	*	7/1997	Connolly et al.	340/568.1
D398,009 S	*	9/1998	Huppertz et al.	D14/218
D420,668 S	*	2/2000	Choi	D14/218
D434,027 S	*	11/2000	Barhold et al.	D14/218
D452,181 S	*	12/2001	Zurwelle	D10/106
D487,733 S	*	3/2004	Lucaci et al.	D14/138
D492,285 S	*	6/2004	Ombao et al.	D14/218

OTHER PUBLICATIONS

U.S. Appl. No. 29/195,342, filed Dec. 9, 2003, Vipond, Edward W.

U.S. Appl. No. 29/195,343, filed Dec. 9, 2003, Vipond, Edward W.

U.S. Appl. No. 29/195,342, filed Dec. 9, 2003, Vipond.

U.S. Appl. No. 29/195,343, filed Dec. 9, 2003, Vipond.

* cited by examiner

Primary Examiner—Cathron C. Brooks

Assistant Examiner—Austin Murphy

(74) *Attorney, Agent, or Firm*—Wilmer Cutler Pickering Hale and Dorr LLP

(57) **CLAIM**

The ornamental design for a security device, as shown.

DESCRIPTION

FIG. 1 is a first perspective view of one embodiment of a security device showing our new design;

FIG. 2 is a second perspective view thereof;

FIG. 3 is a top view thereof;

FIG. 4 is a front view thereof;

FIG. 5 is a side view thereof;

FIG. 6 is a back view thereof;

FIG. 7 is a bottom view thereof;

FIG. 8 is a top perspective view of the security device shown in FIG. 1 with the cover shown removed for completeness of illustration;

FIG. 9 is bottom perspective view of the security device shown in FIG. 8;

FIG. 10 is a top view of the security device shown in FIG. 8;

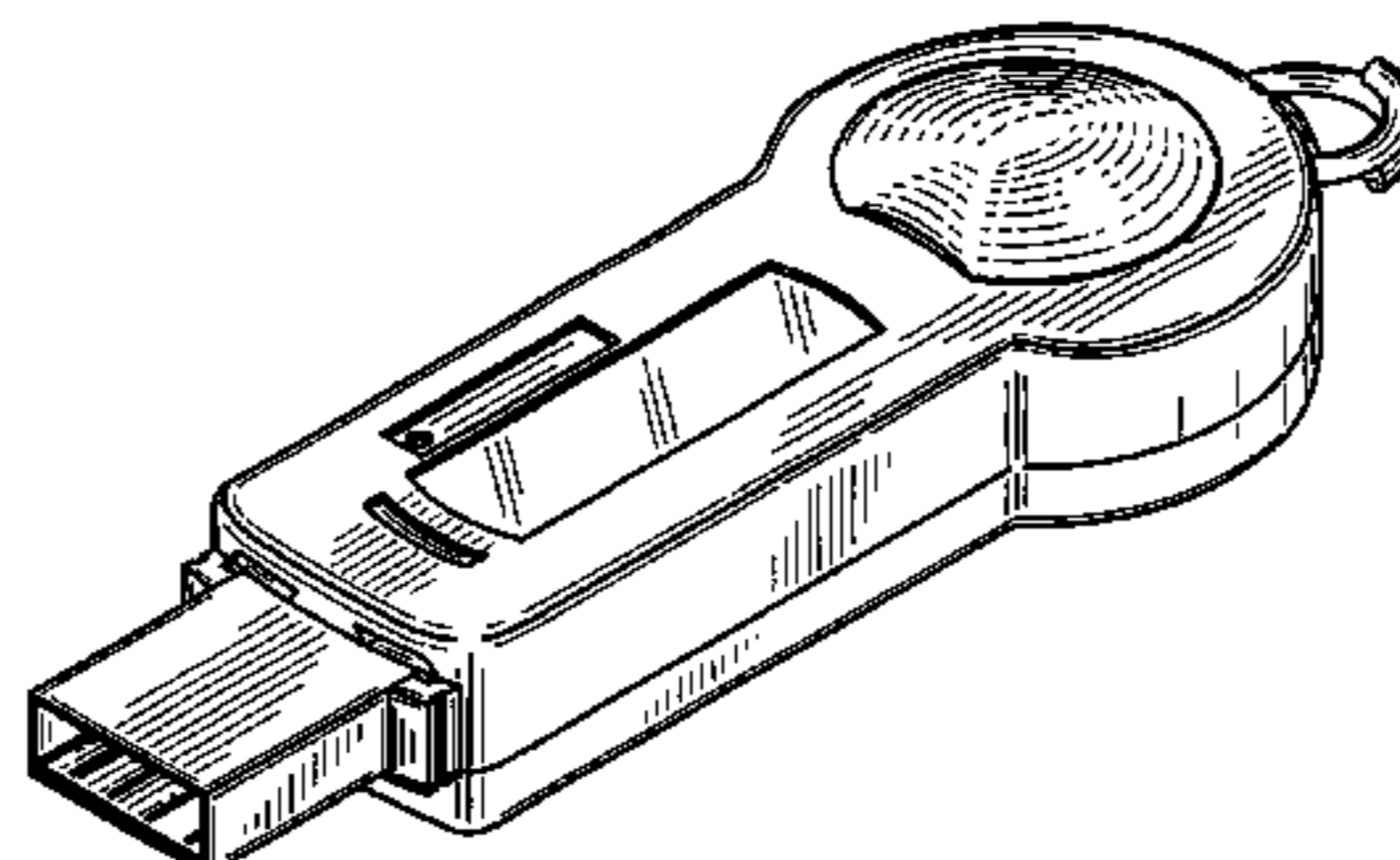
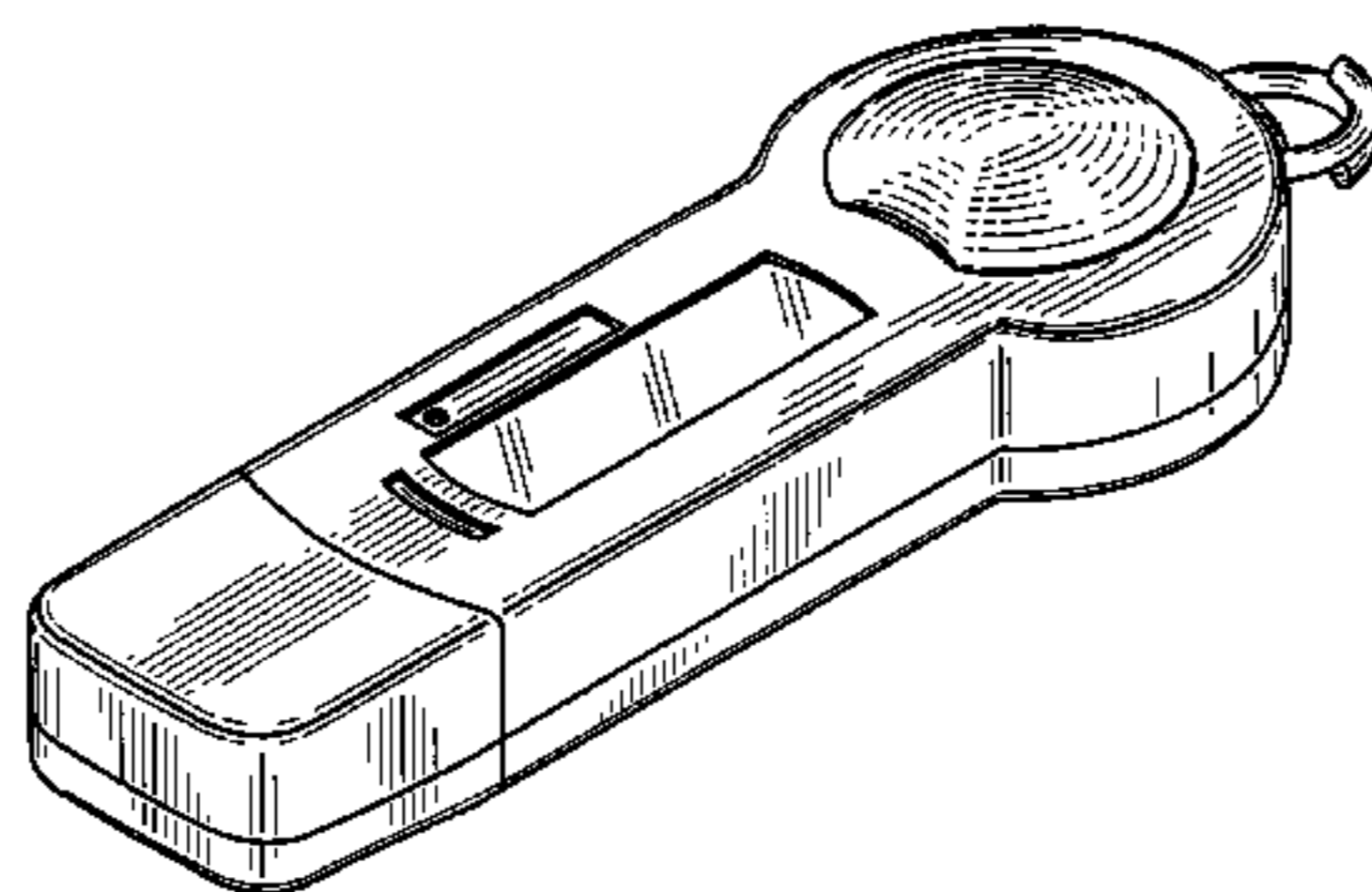
FIG. 11 is a front view of the security device shown in FIG. 8;

FIG. 12 is a side view of the security device shown in FIG. 8;

FIG. 13 is a back view of the security device shown in FIG. 8; and,

FIG. 14 is a bottom view of the security device shown in FIG. 8.

1 Claim, 4 Drawing Sheets



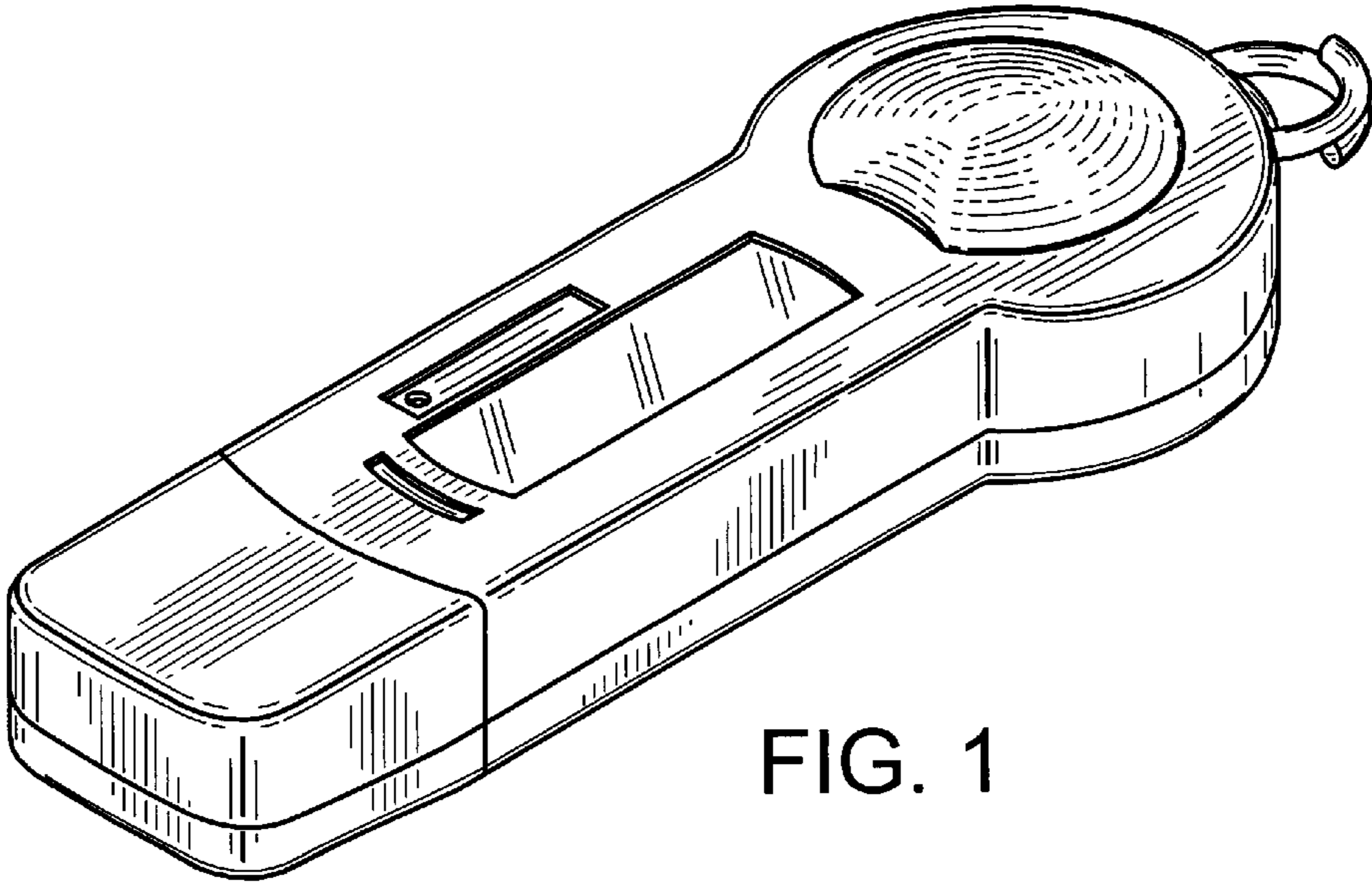


FIG. 1

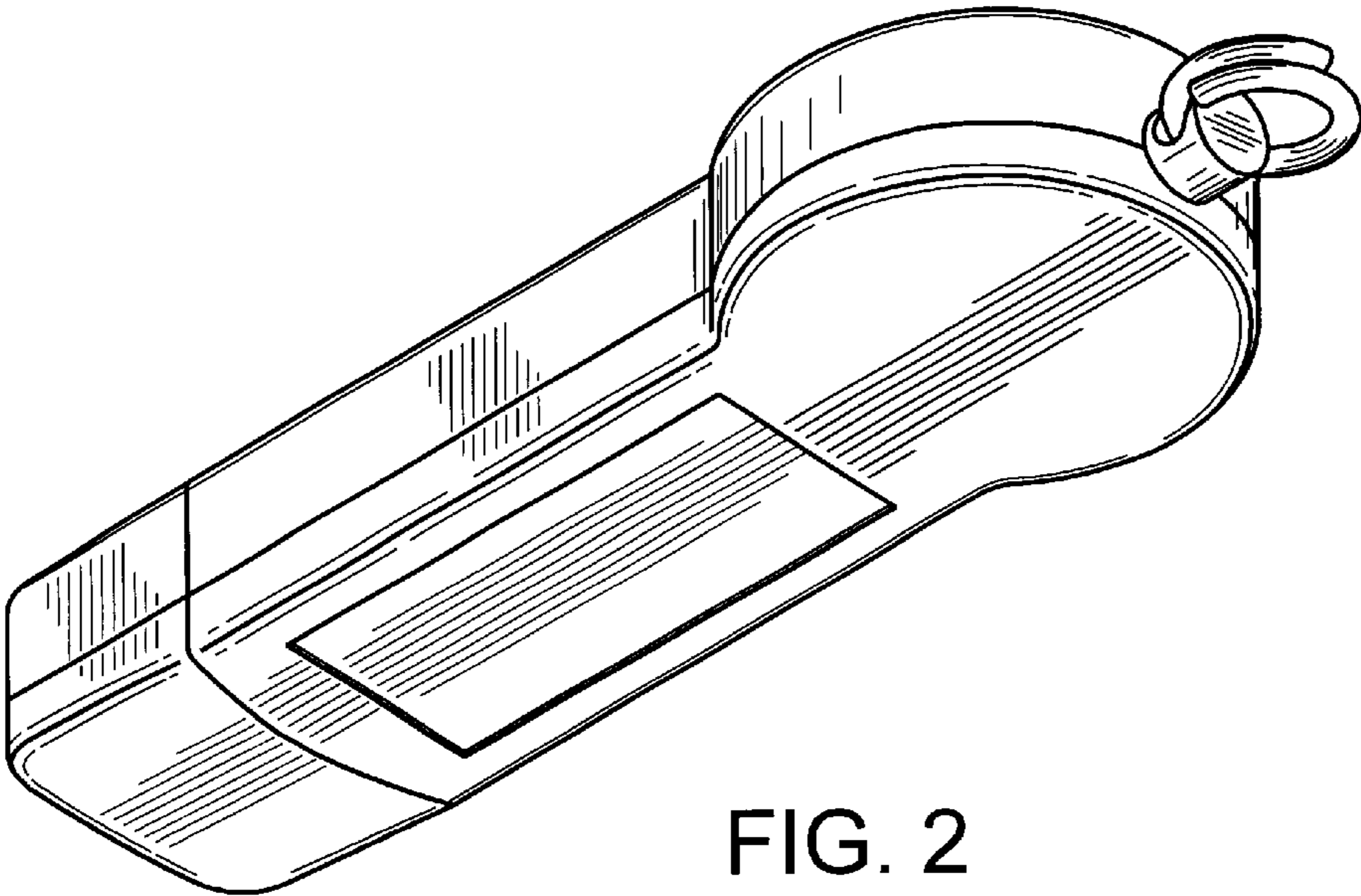


FIG. 2

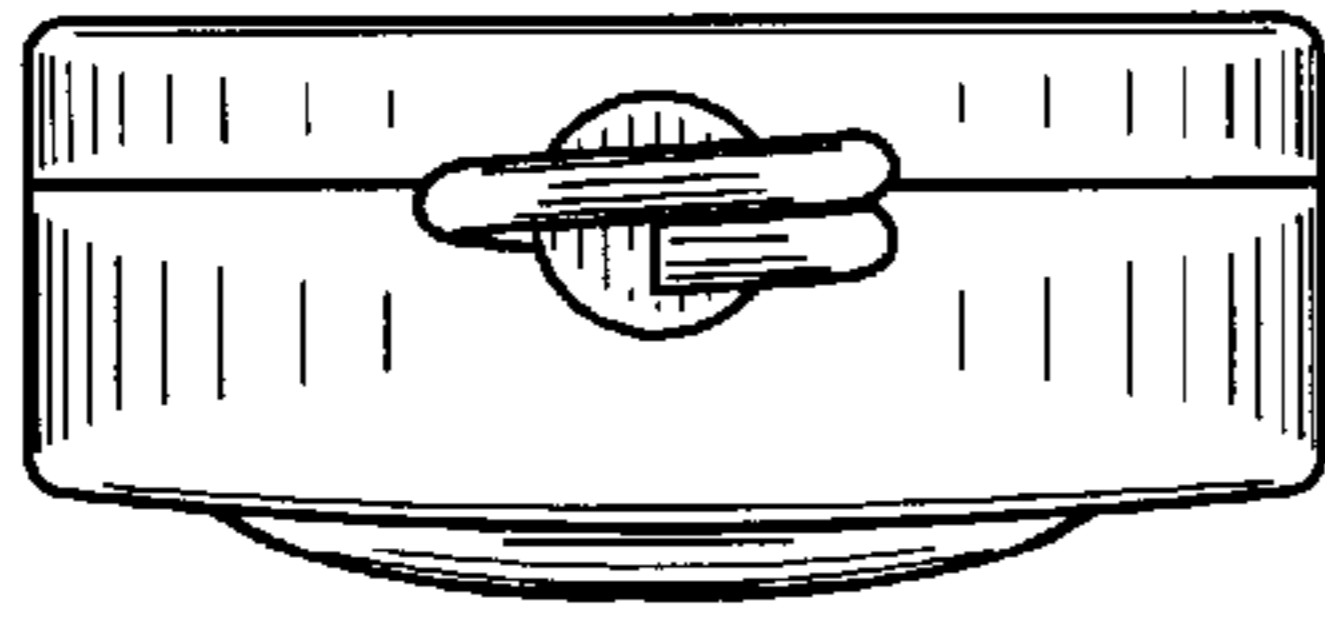


FIG. 3

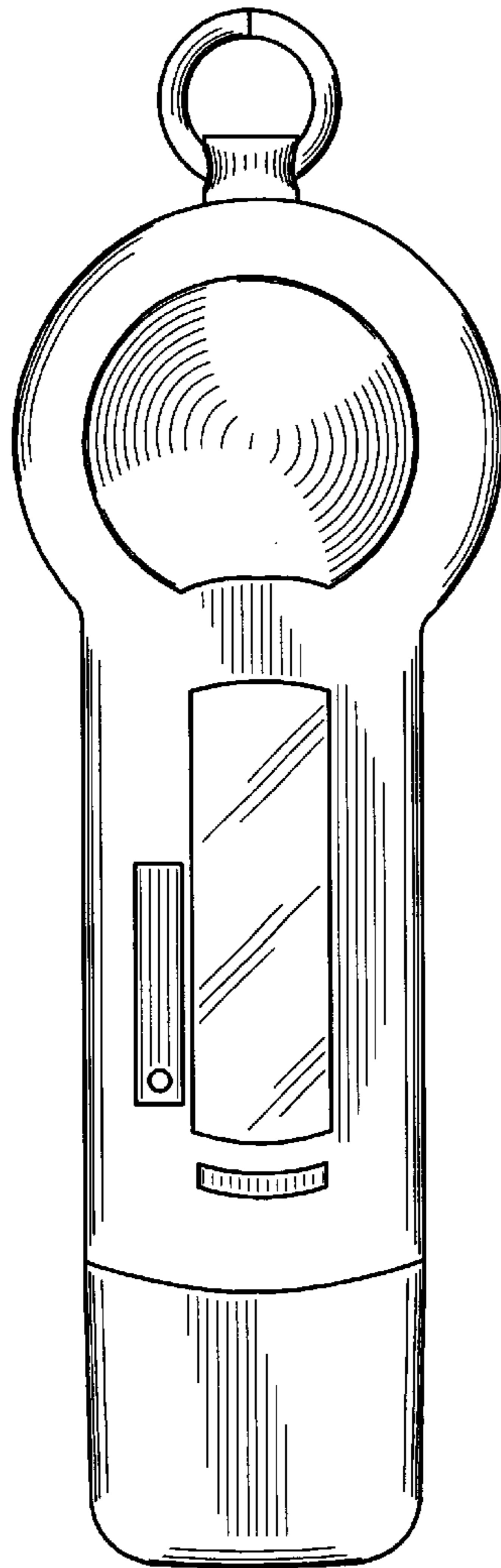


FIG. 4

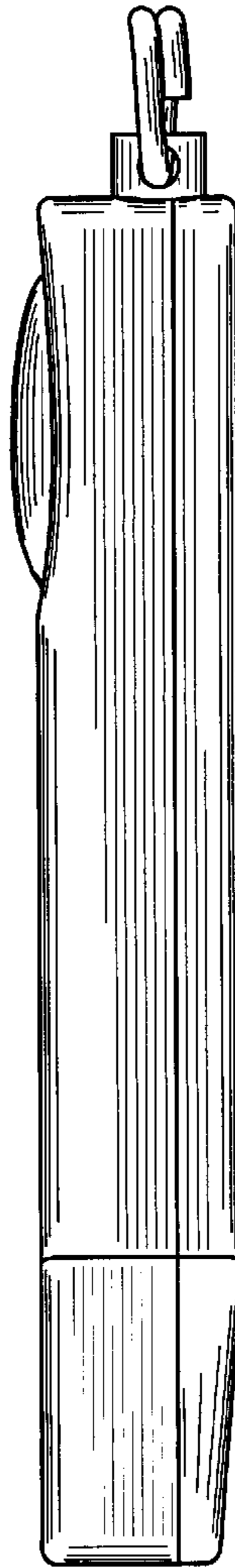


FIG. 5

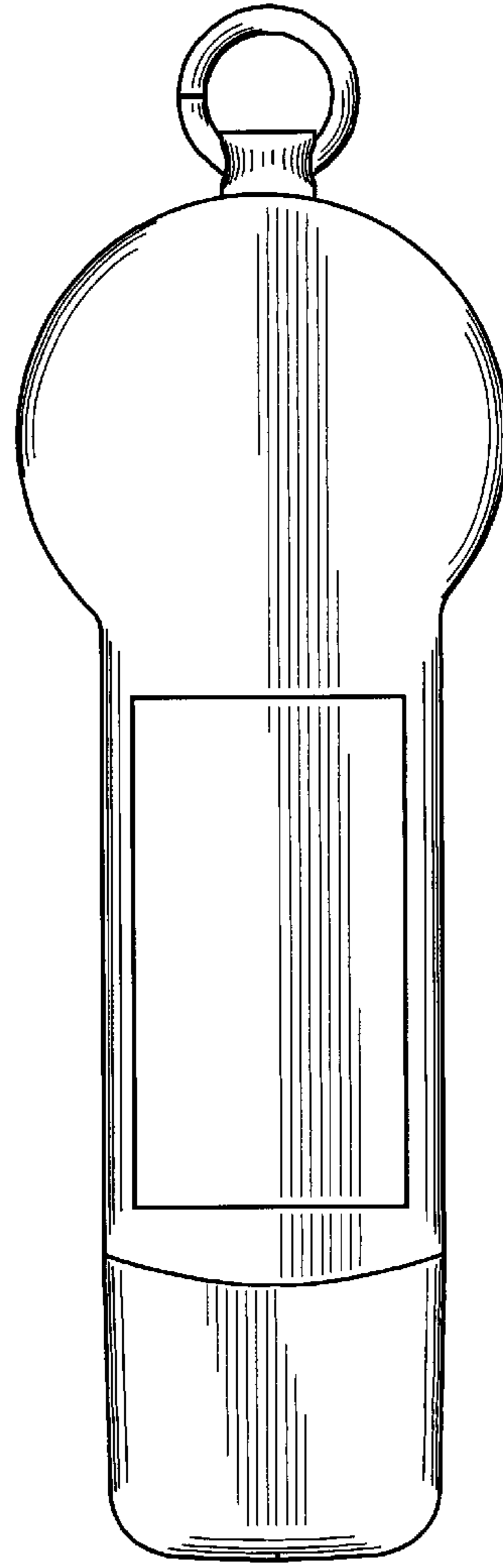


FIG. 6

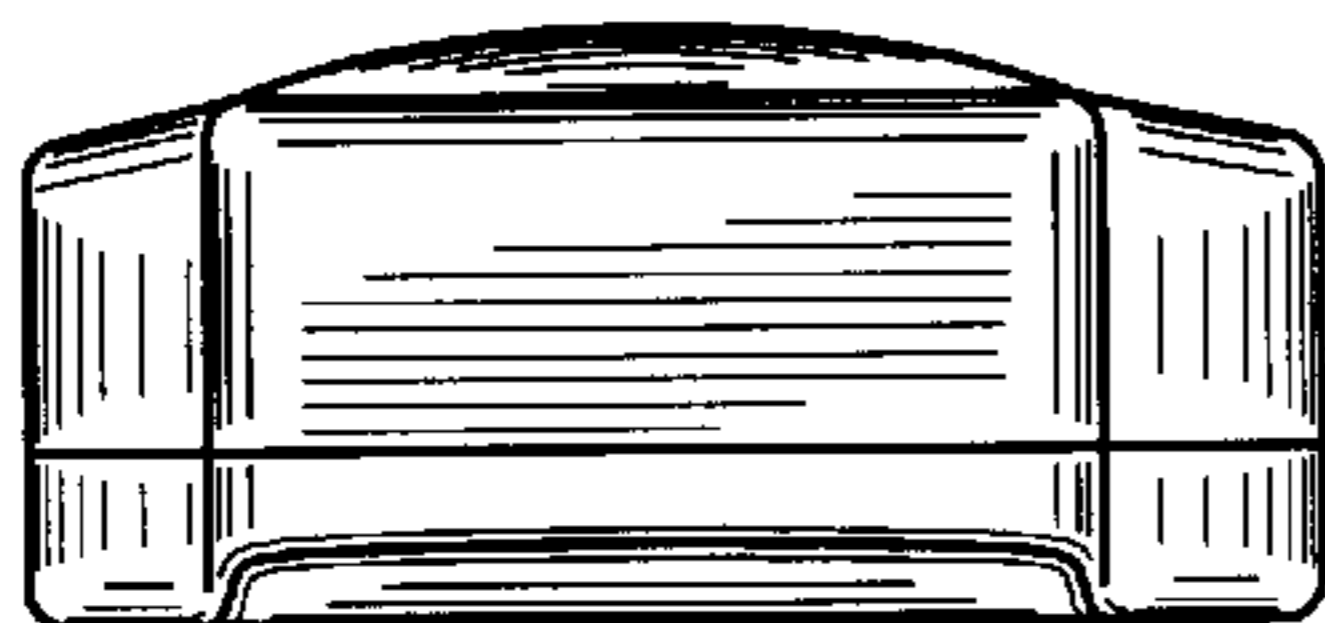


FIG. 7

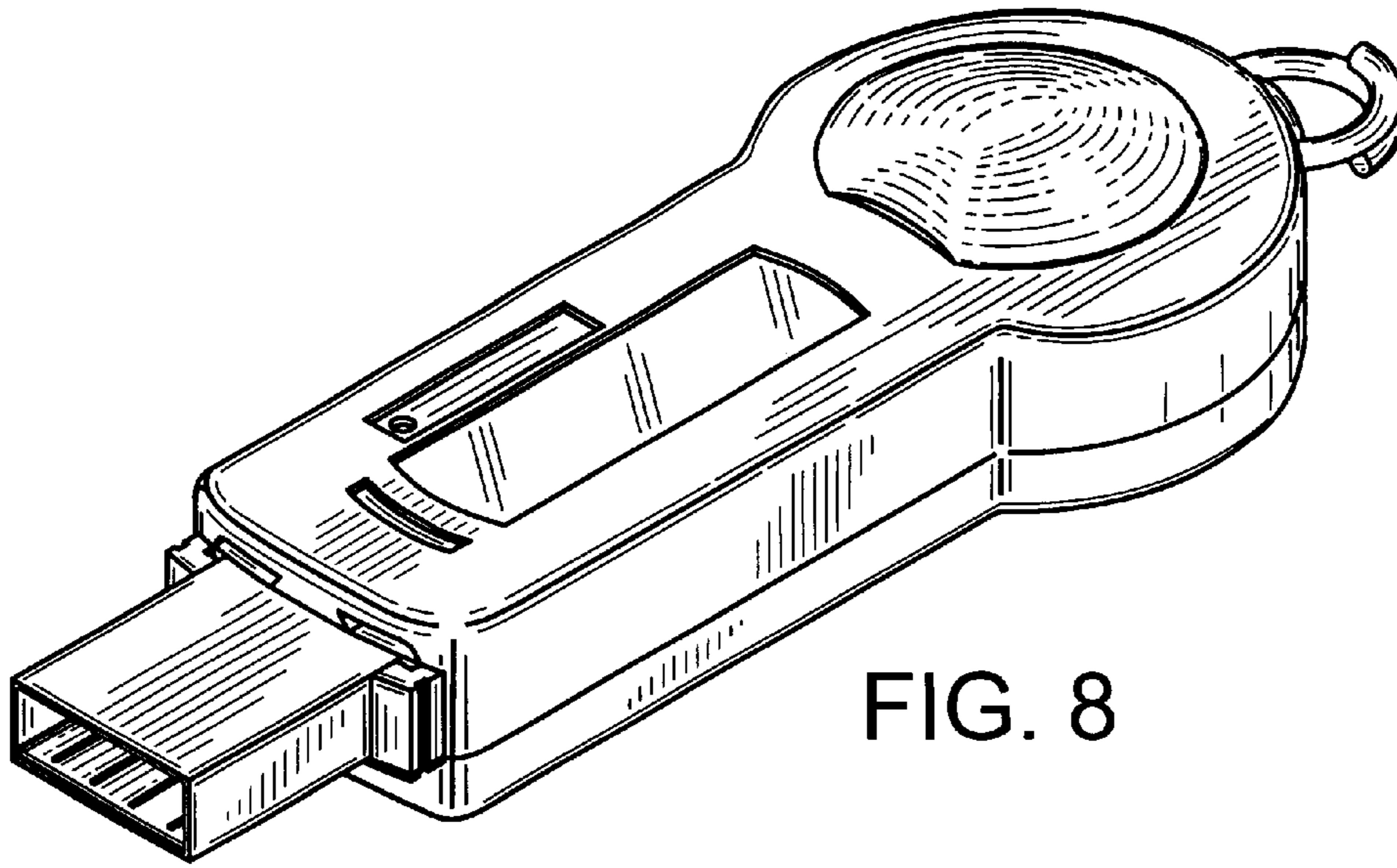


FIG. 8

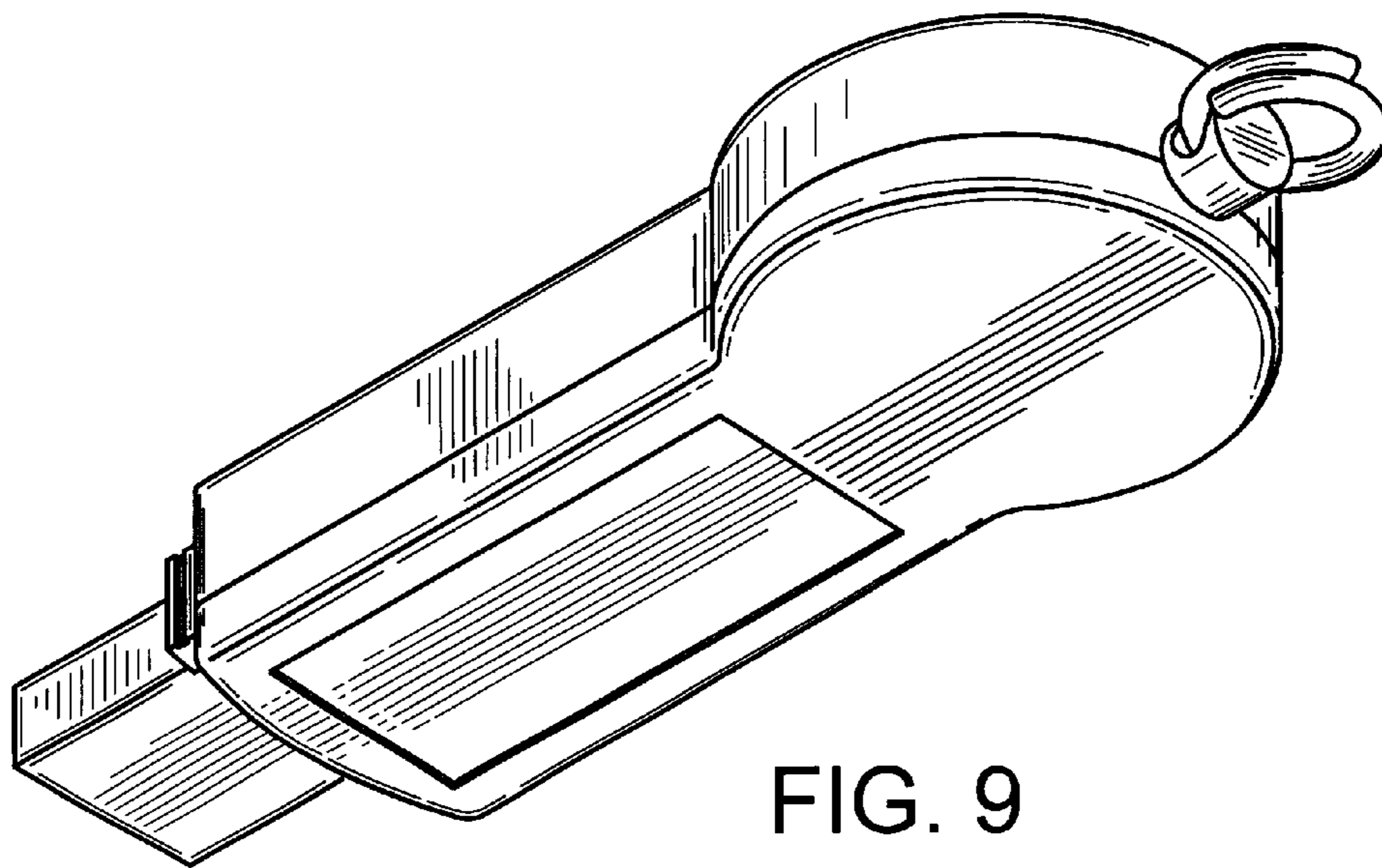


FIG. 9

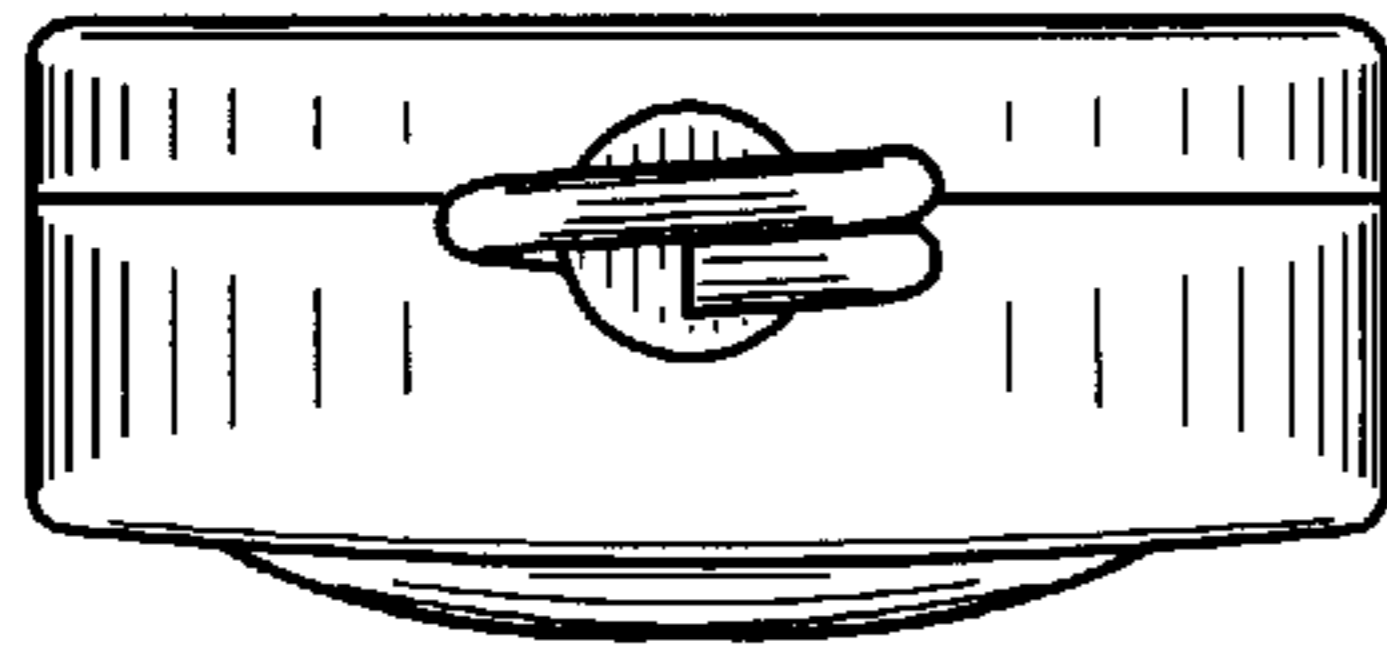


FIG. 10

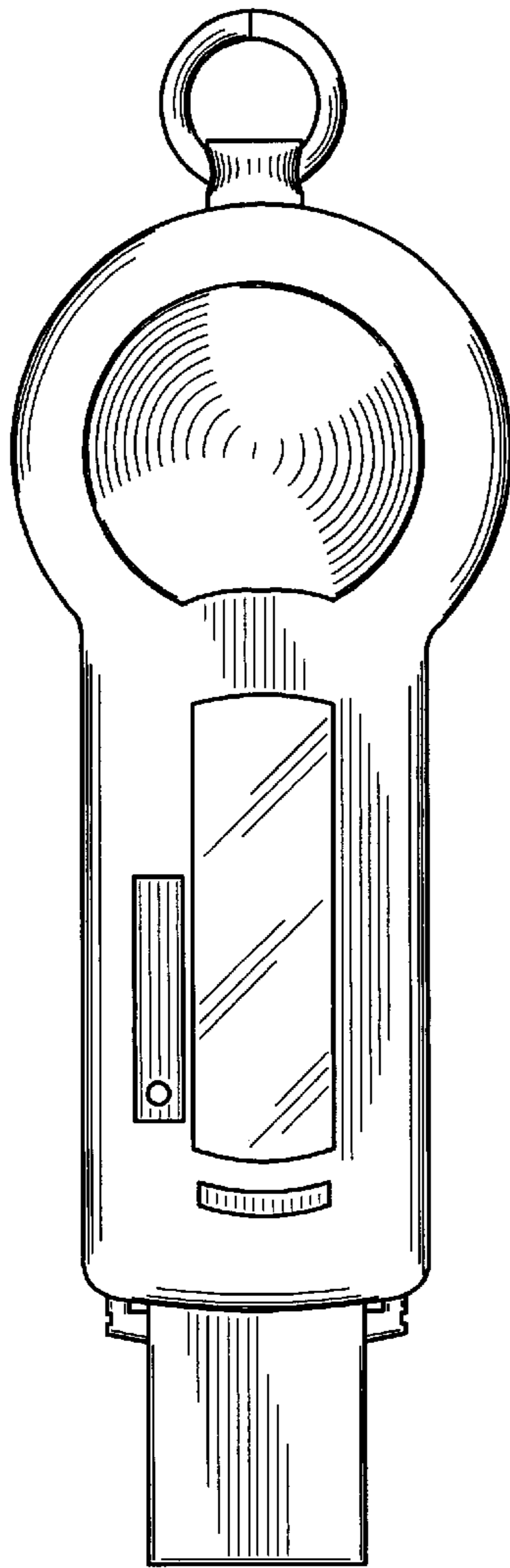


FIG. 11

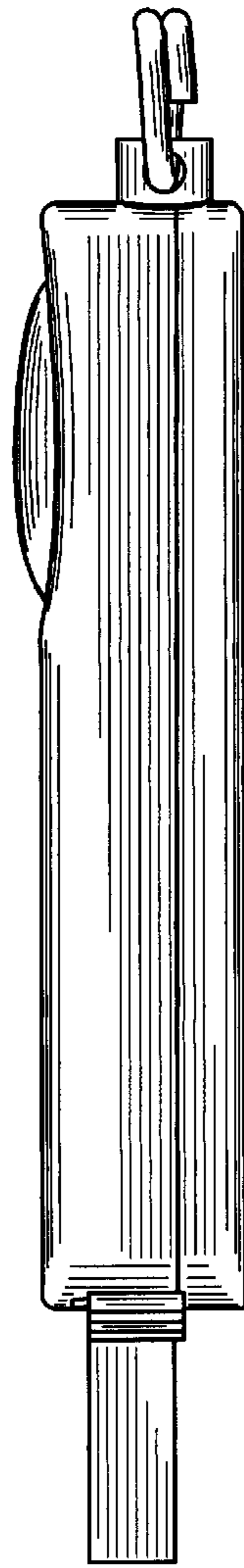


FIG. 12

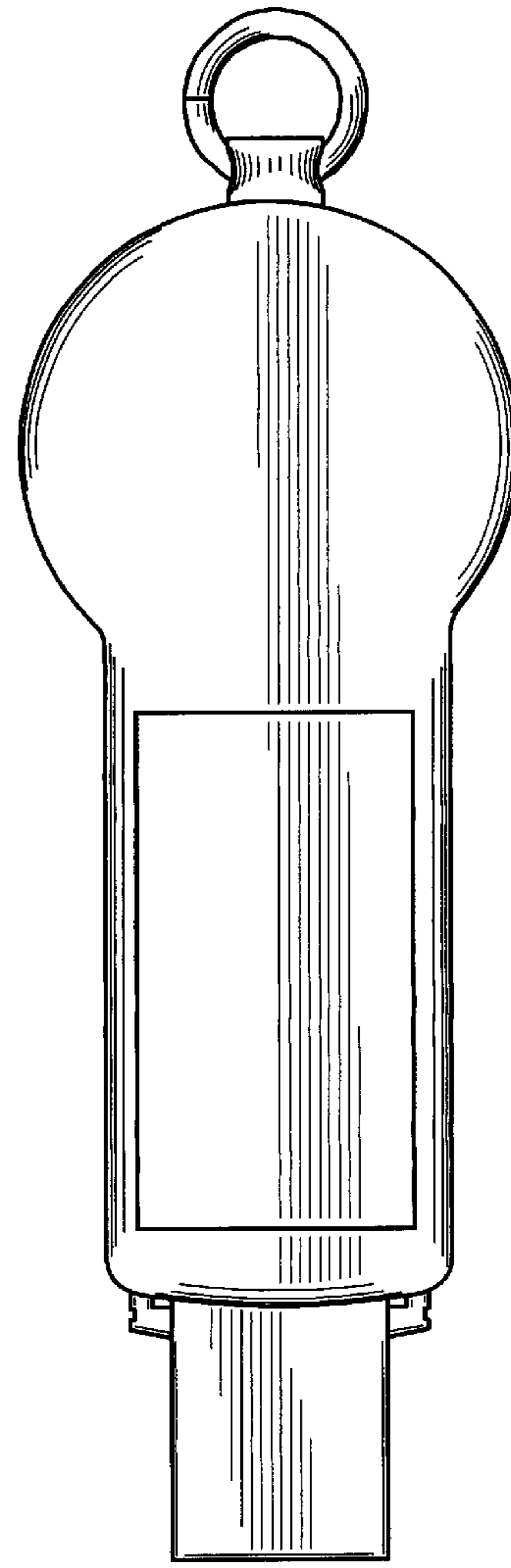


FIG. 13

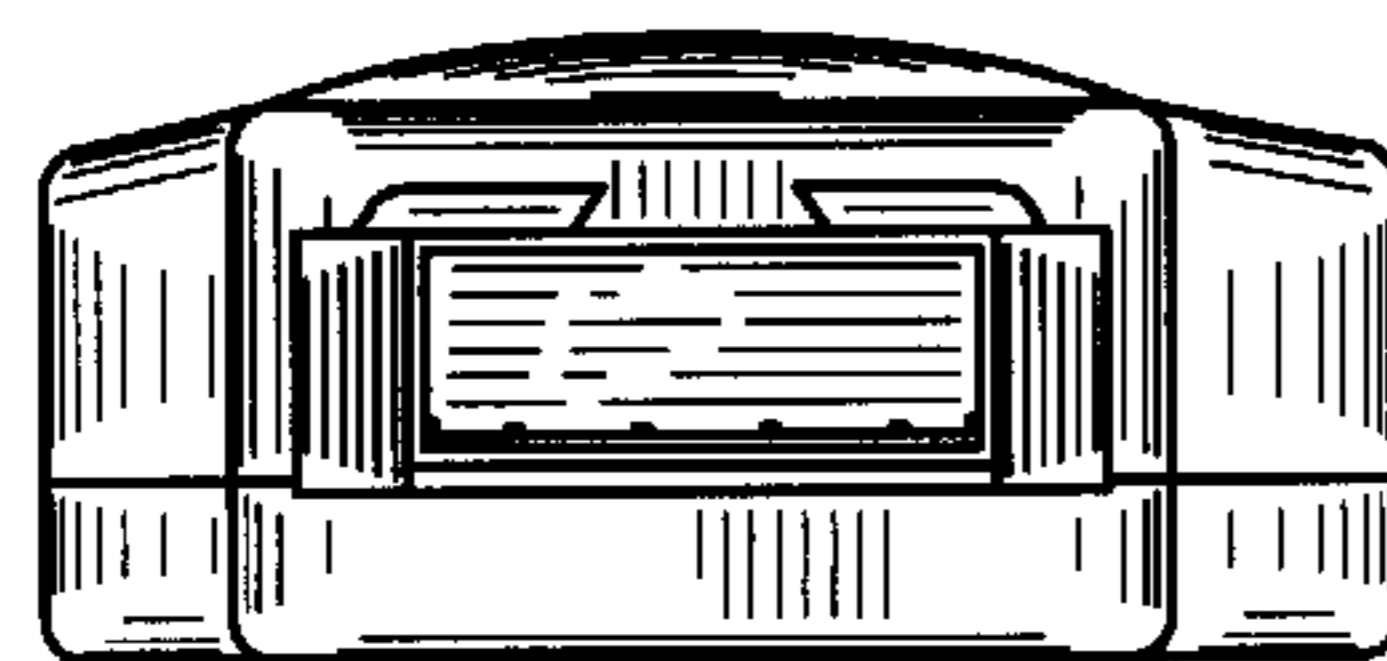


FIG. 14