

US00D517439S

(12) **United States Design Patent** (10) **Patent No.:** **US D517,439 S**
Black et al. (45) **Date of Patent:** **** Mar. 21, 2006**

(54) **SMOKE DETECTOR**

(75) Inventors: **Kevin Bruce Black**, Roswell, GA (US);
John Detler Coleman, Philadelphia, PA (US);
Edmond John Dougherty, Wayne, PA (US);
Silvio Peter Eberhardt, Bennington, VT (US);
Matthew Anthony Ferris, Atlanta, GA (US);
Michael Thomas Flanagan, Philadelphia, PA (US);
Zoey Leslie Juhng, Philadelphia, PA (US);
Thomas Kondziolka, Chicago, IL (US);
Mathieu Dominic Daniel Turpault, Berwyn, PA (US);
Xavier Vinas, Philadelphia, PA (US)

(73) Assignee: **SignalOne Safety, Inc.**, Roswell, GA (US)

(**) Term: **14 Years**

(21) Appl. No.: **29/195,984**

(22) Filed: **Dec. 19, 2003**

(51) **LOC (8) Cl.** **10-05**

(52) **U.S. Cl.** **D10/106**

(58) **Field of Classification Search** D10/106,
D10/116, 104; D13/162, 168, 156; D14/217,
D14/230, 231; 343/878; 340/228 R, 228.1,
340/258

See application file for complete search history.

(56) **References Cited**

U.S. PATENT DOCUMENTS

D246,958 S	*	1/1978	Rakocy et al.	D10/106
D249,481 S	*	9/1978	Conforti et al.	D10/106
D284,748 S	*	7/1986	Fenne	D10/106
D286,514 S	*	11/1986	Spang	D10/106
D327,690 S	*	7/1992	Ogawa et al.	D14/230
D328,617 S	*	8/1992	Emmel et al.	D21/529
D346,170 S	*	4/1994	Tang	D14/230
D356,050 S	*	3/1995	Tice et al.	D10/106
D359,701 S	*	6/1995	Fischette et al.	D10/106

D364,108 S	*	11/1995	DeWitt	D10/106
D375,568 S	*	11/1996	Matthies	D26/28
D375,909 S	*	11/1996	Dziersk et al.	D10/106
D392,945 S	*	3/1998	Barry et al.	D13/168
D396,852 S	*	8/1998	Chao	D14/358
D416,559 S	*	11/1999	Hoyt et al.	D14/217
D427,996 S	*	7/2000	Heiligenstein et al.	D14/230
D440,206 S	*	4/2001	Carroll et al.	D13/162
D442,168 S	*	5/2001	Warner et al.	D14/231
D452,453 S	*	12/2001	Tsukuda et al.	D10/116
D452,856 S	*	1/2002	Wei	D14/217
D453,329 S	*	2/2002	Muramatsu	D14/230
D463,991 S	*	10/2002	Curry et al.	D10/104
D471,539 S	*	3/2003	Warner et al.	D14/231
D475,035 S	*	5/2003	Takagi	D14/156
D484,481 S	*	12/2003	Murakami	D14/156
D498,738 S	*	11/2004	Matsuoka	D14/156

* cited by examiner

Primary Examiner—Cathron C. Brooks

Assistant Examiner—Austin Murphy

(74) *Attorney, Agent, or Firm*—Akerman Senterfitt; Gregory A. Nelson; Michael K. Dixon

(57) **CLAIM**

The ornamental design for a smoke detector, as shown and described.

DESCRIPTION

FIG. 1 is a frontal perspective view of a smoke detector according to the invention.

FIG. 2 is a rear perspective view of a smoke detector of FIG. 1.

FIG. 3 is a front view of the smoke detector of FIG. 1.

FIG. 4 is a rear view of the smoke detector of FIG. 3.

FIG. 5 is a right side view of the smoke detector of FIG. 3.

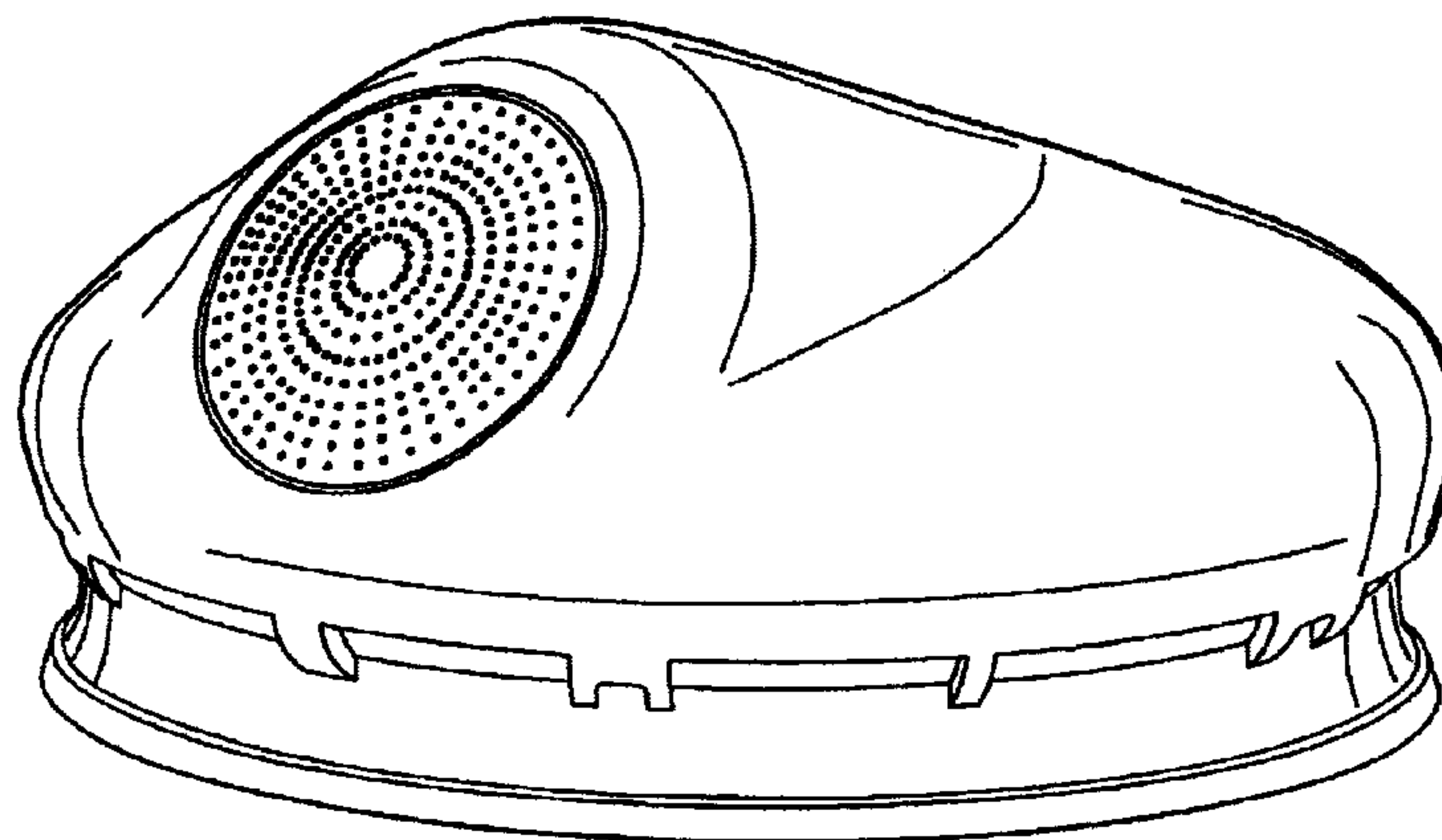
The left side view (not shown) is a mirror image of the right side view.

FIG. 6 is a top view of the smoke detector of FIG. 3; and,

FIG. 7 is a bottom view of the smoke detector of FIG. 3.

The broken lines shown in FIG. 7 form no part of the claimed design.

1 Claim, 4 Drawing Sheets



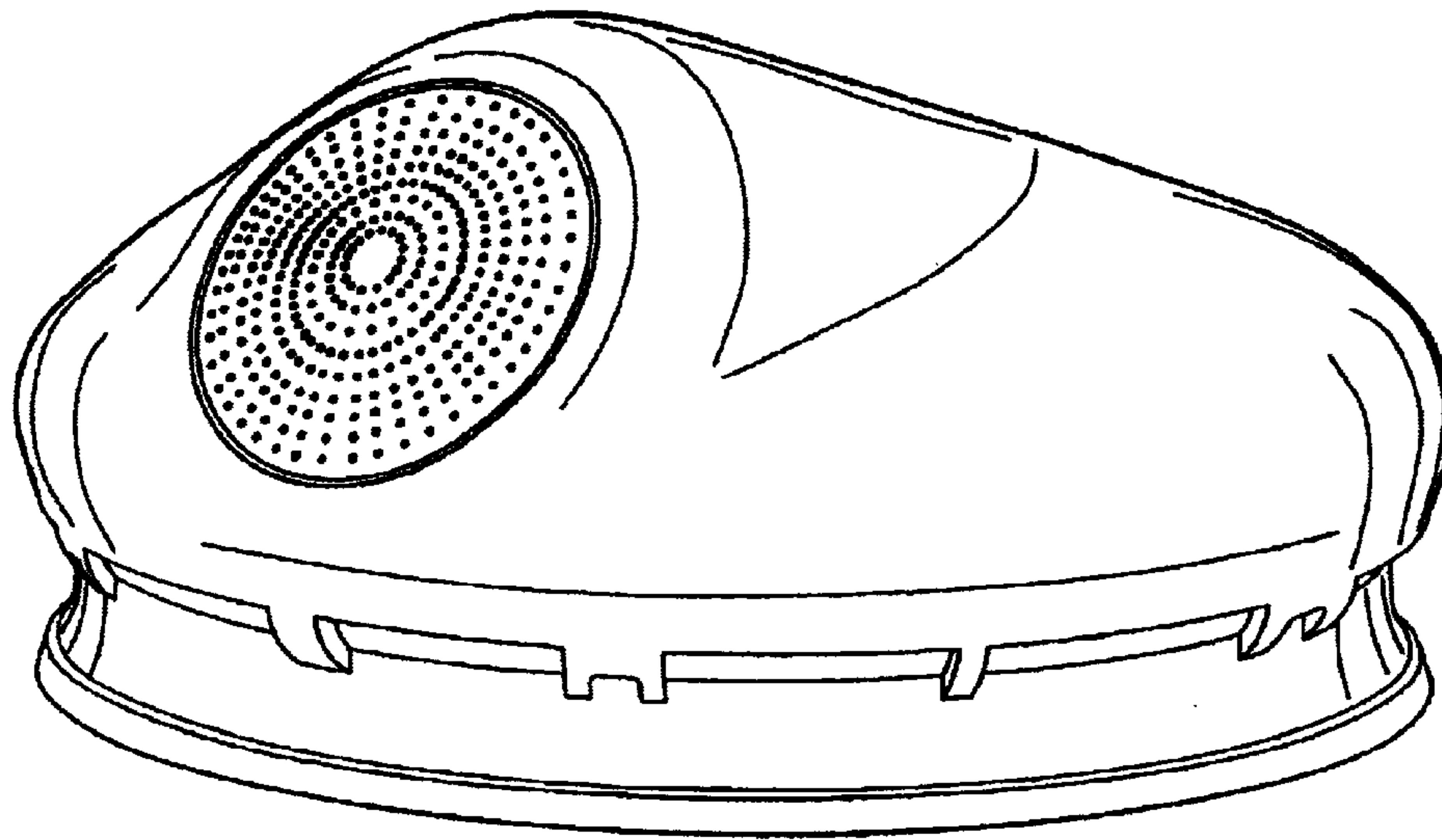


FIG. 1

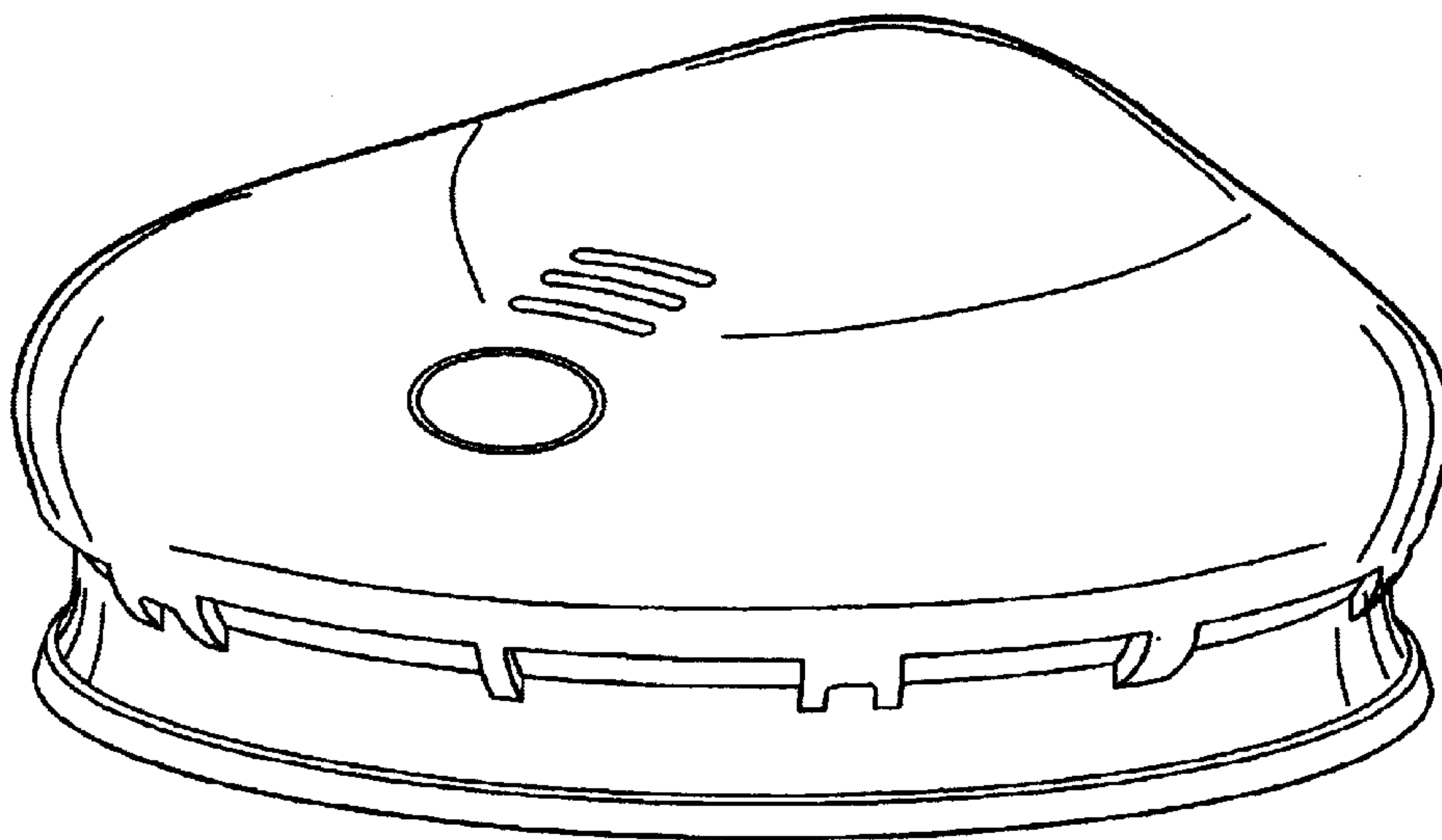


FIG. 2

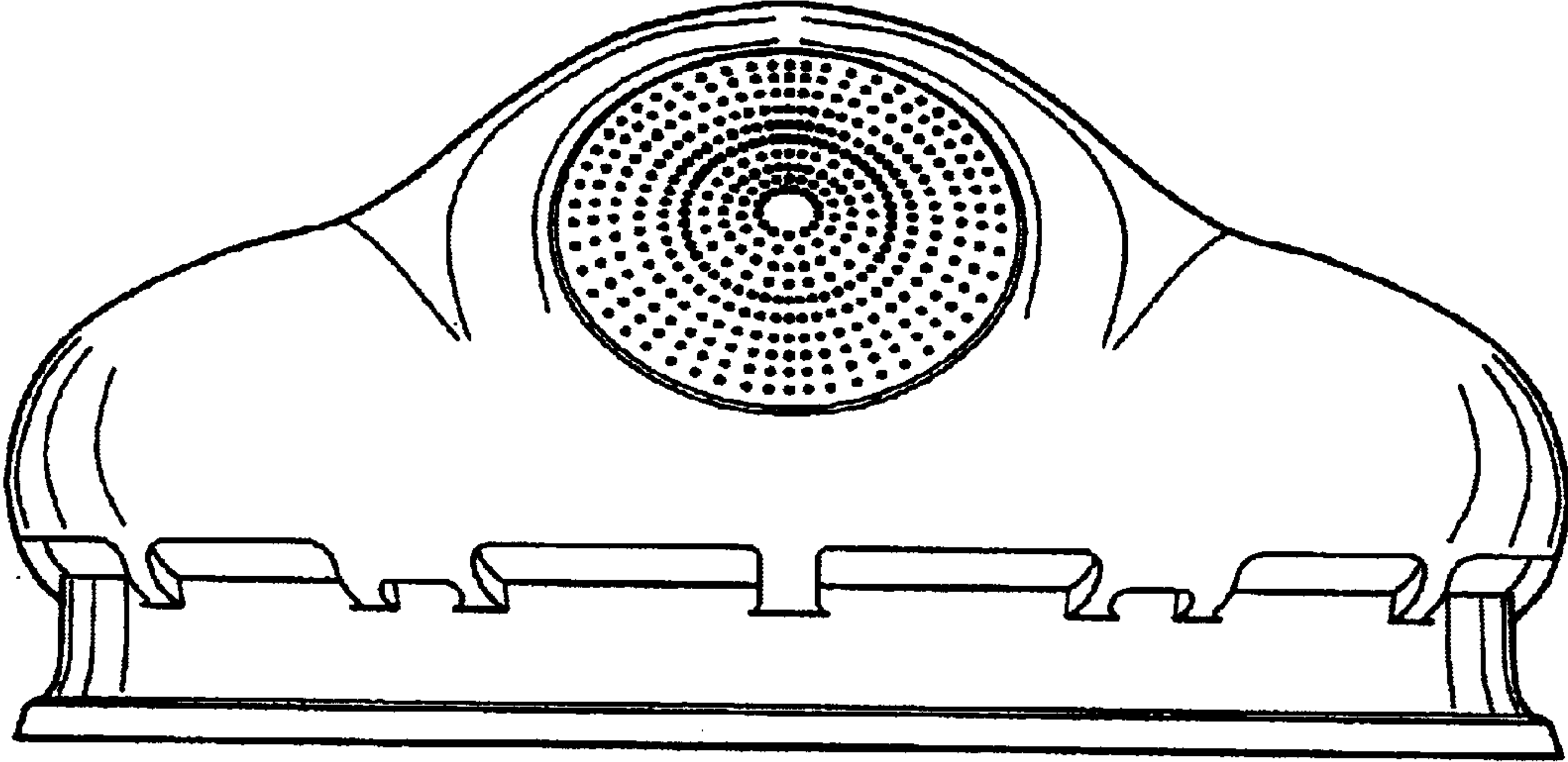


FIG. 3

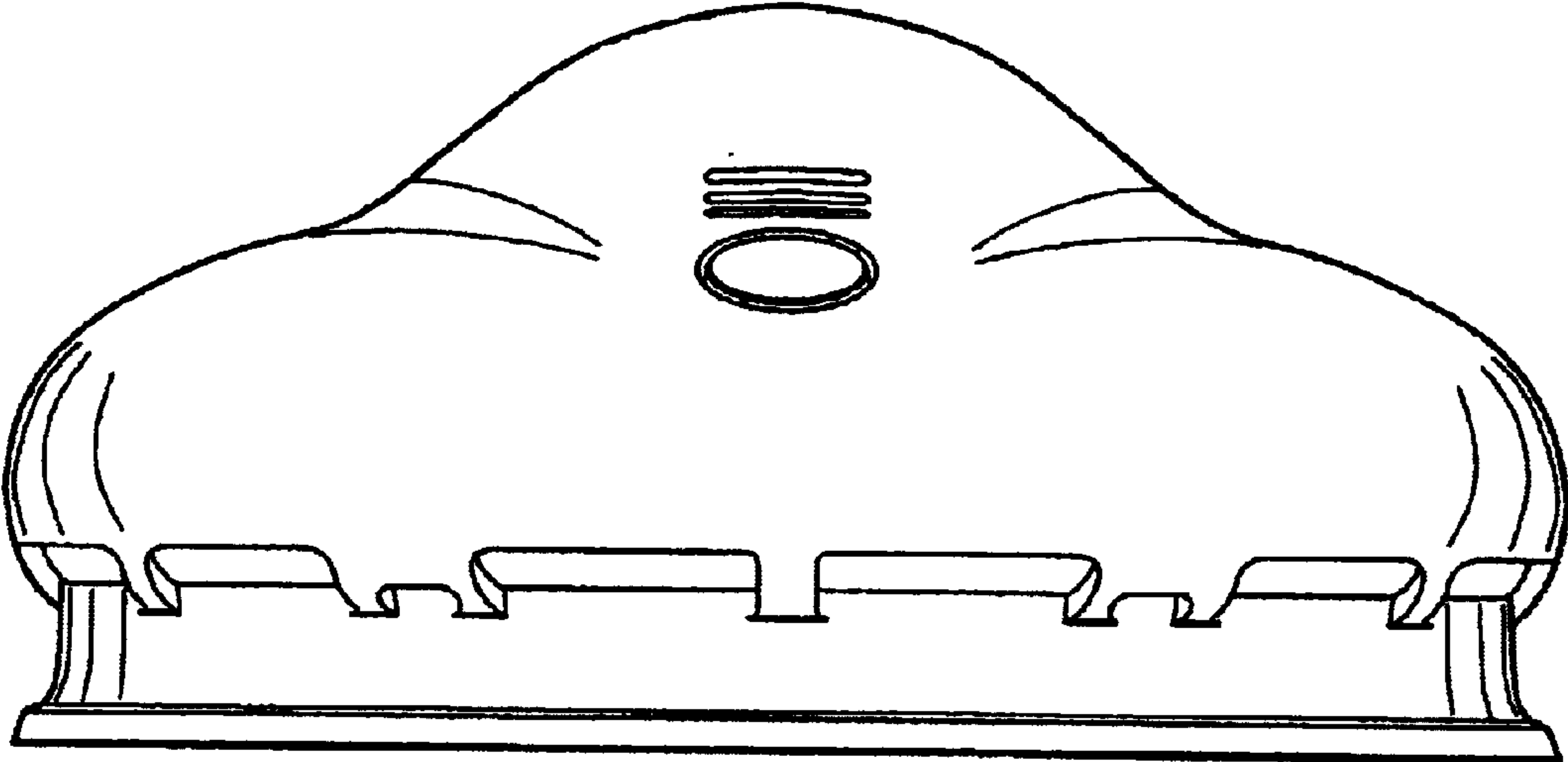


FIG. 4

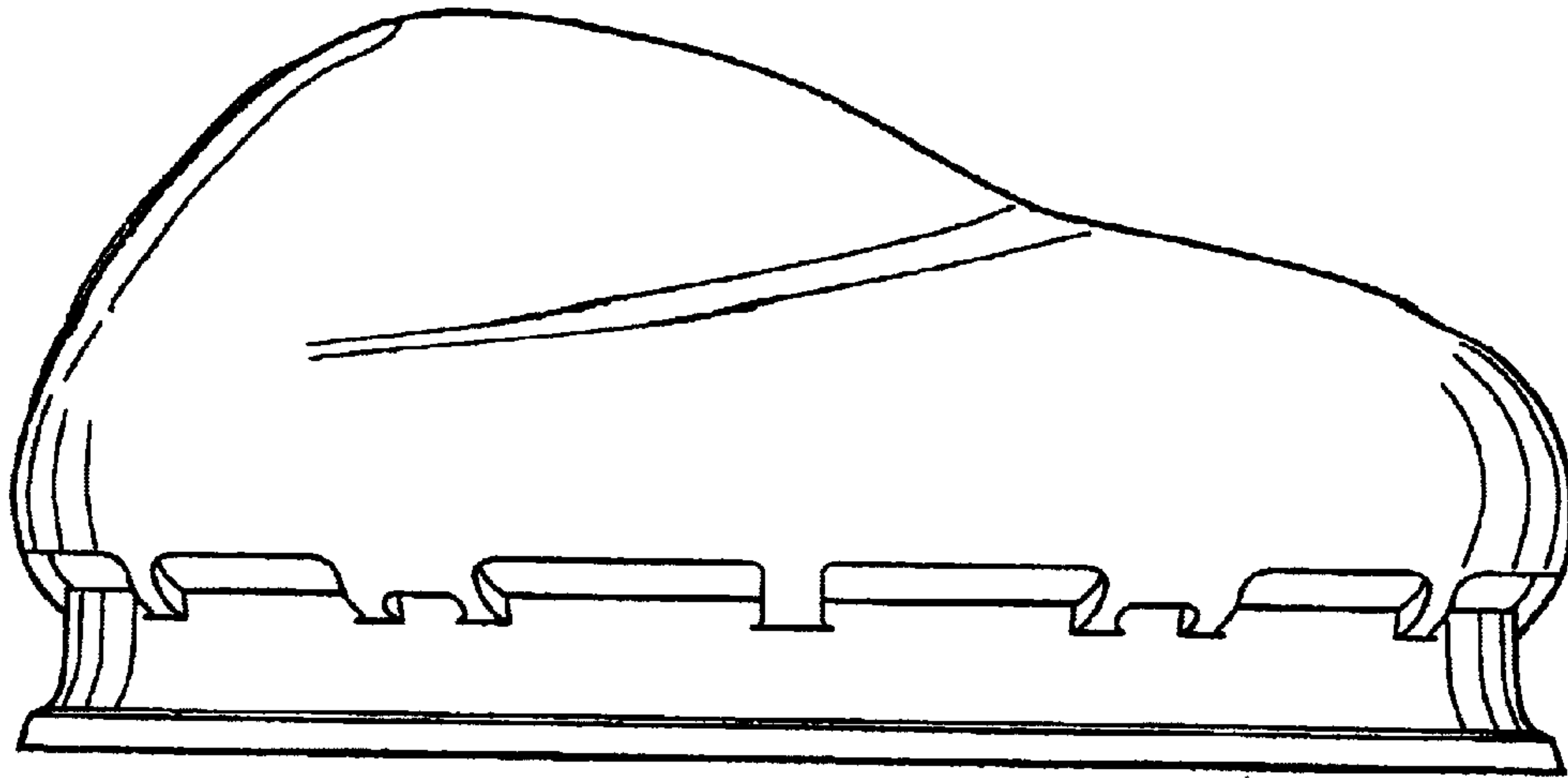


FIG. 5

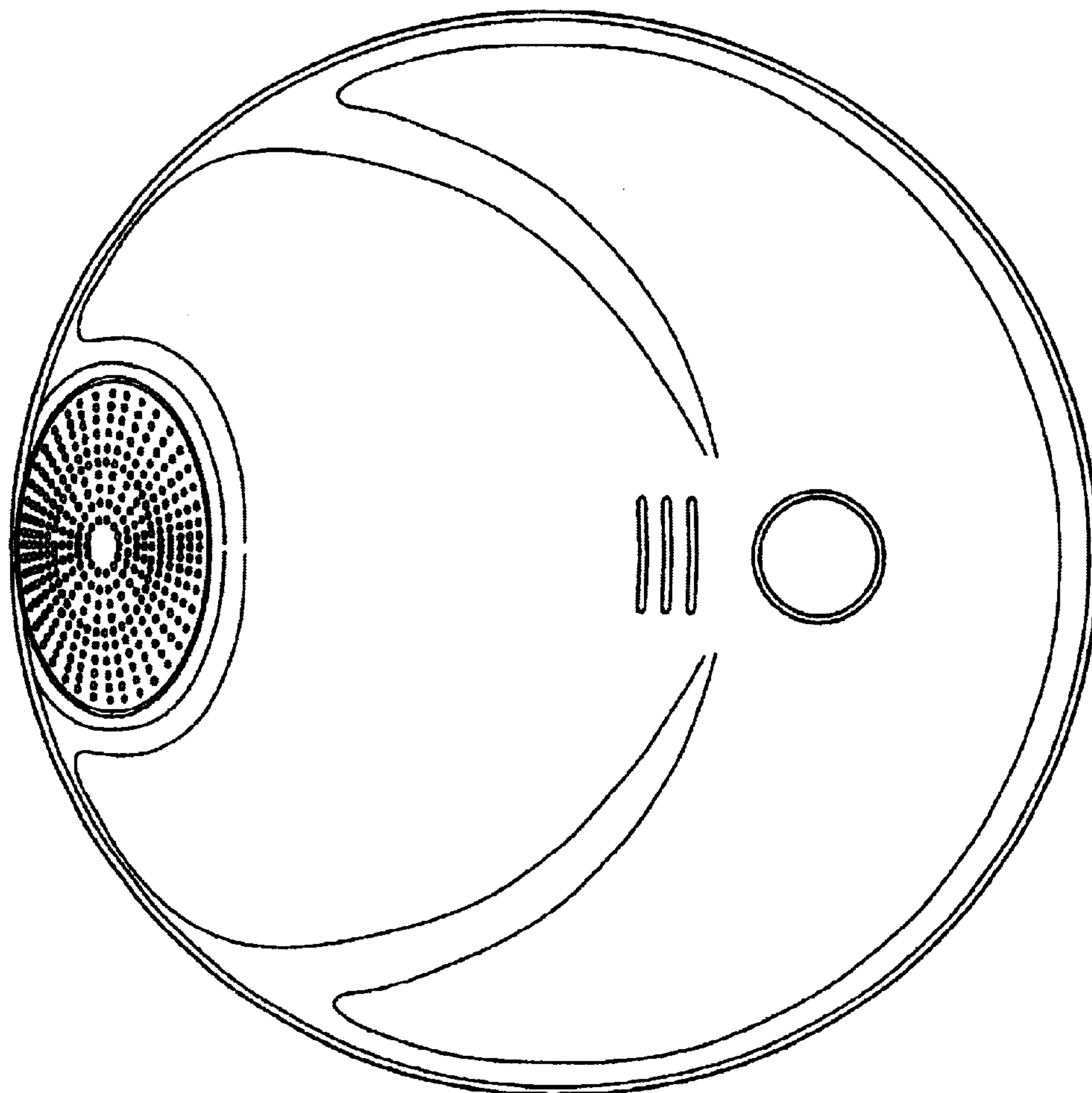


FIG. 6

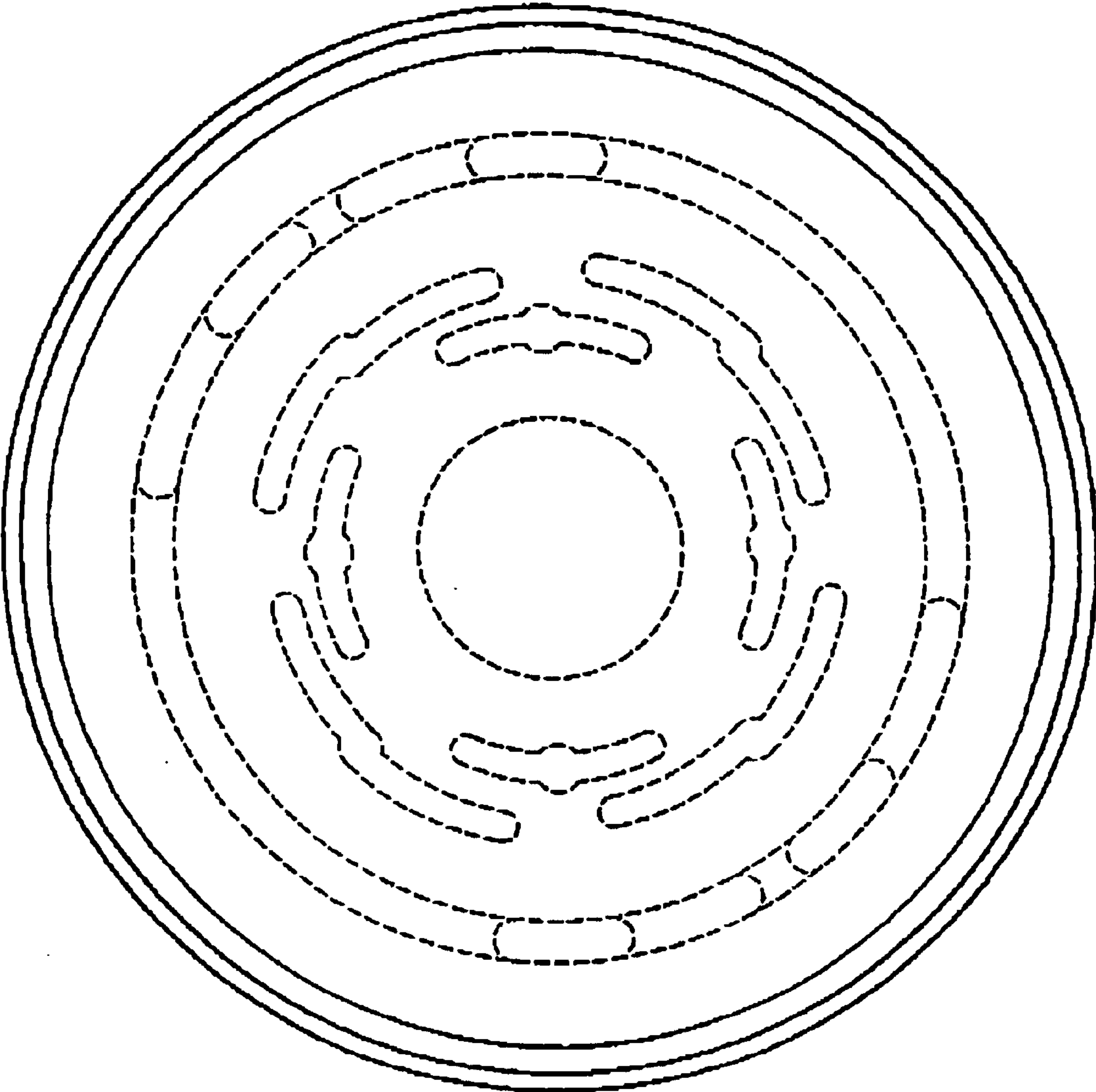


FIG. 7