



US00D517436S

(12) **United States Design Patent** (10) **Patent No.:** **US D517,436 S**
Dakos et al. (45) **Date of Patent:** **** Mar. 21, 2006**

(54) **HAND DYNAMOMETER**

(75) Inventors: **Mark Dakos**, Englewood, CO (US);
Joseph Francis Perret, Jr., Silver
Spring, MD (US)
(73) Assignee: **BTE Technologies, Inc.**, Hanover, MD
(US)
(**) Term: **14 Years**
(21) Appl. No.: **29/215,564**
(22) Filed: **Oct. 22, 2004**
(51) **LOC (8) Cl.** **10-04**
(52) **U.S. Cl.** **D10/84**
(58) **Field of Classification Search** D10/83-85;
73/1.08, 1.13, 1.14, 1.15, 379.02, 379.03
See application file for complete search history.

OTHER PUBLICATIONS

*The Clinical Standard for Over 40 Years . . . Sammons
Preston Rolyans own Jamar Hydraulic Hand Dynamometer*,
2004, [on-line], [retrieved on Oct. 22, 2004] Retrieved using
<http://www.sammonspreston.com/jamarEval.htm>.
Baseline Hydraulic Hand Dynamometer, 2003, [on-line]
[retrieved on Oct. 22, 2004] Retrieved using <http://www.
wisdomking.com/product45175c220086.html>.
Grip Dynamometers, B&L Engineering, [on-line], [re-
trieved on Jun. 11, 2004], Retrieved using <http://www.
bleng.com/gripdynamometer.htm>.
Biometrics E-LINK H400S, 2001, [on-line], [retrieved on
Jun. 11, 2004] Retrieved using <http://www.nexgenergo.
com/ergonomics/bioelink.html>.

* cited by examiner

Primary Examiner—Antoine D. Davis
(74) *Attorney, Agent, or Firm*—Cooley Godward LLP

(56) **References Cited**

U.S. PATENT DOCUMENTS

3,442,132 A	5/1969	De Mare	
3,672,219 A	6/1972	Van Patten	
4,674,330 A	6/1987	Ellis	
5,125,270 A	6/1992	Kovacevic	
5,170,663 A	12/1992	Kovacevic	
5,317,916 A	6/1994	Kovacevic	
5,329,813 A	7/1994	Lewis, Jr.	
RE35,598 E	9/1997	Sadoff et al.	
5,904,639 A	5/1999	Smyser et al.	
D412,295 S	7/1999	Waldvogel et al.	
5,945,590 A *	8/1999	Becker	73/1.13
6,086,518 A	7/2000	MacCready, Jr.	

FOREIGN PATENT DOCUMENTS

JP	2001346785	12/2001
WO	WO 03/022150 A1	3/2003

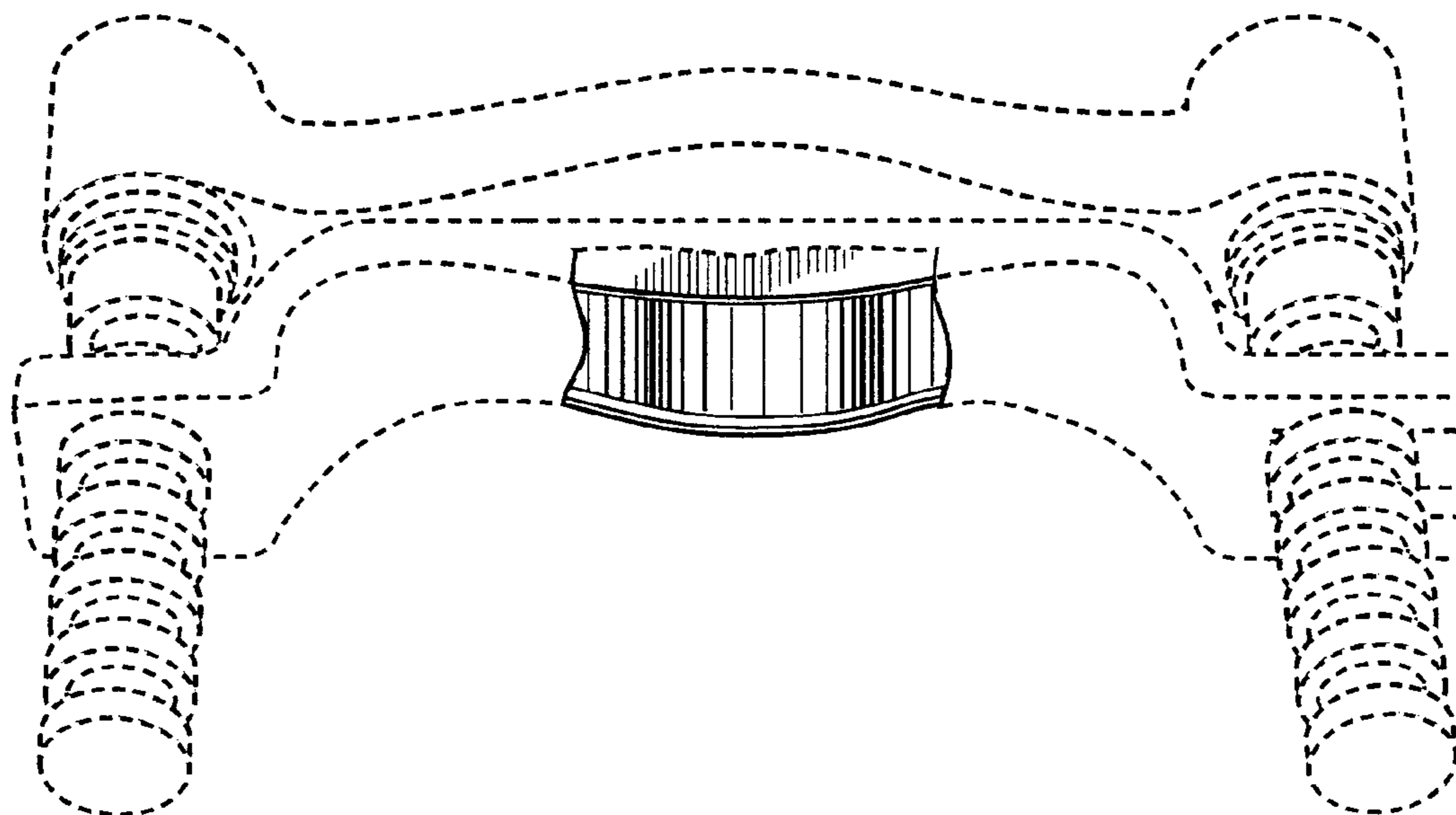
(57) **CLAIM**

The ornamental design for a hand dynamometer, as shown and described.

DESCRIPTION

FIG. 1 is a right side view of a hand dynamometer;
FIG. 2 is a left side view thereof;
FIG. 3 is a front view thereof;
FIG. 4 is a rear view thereof;
FIG. 5 is a right side perspective view thereof; and,
FIG. 6 is a left side perspective view thereof.
The portion of the article depicted in broken lines is for illustrative purposes only and forms no part of the claimed design.

1 Claim, 6 Drawing Sheets



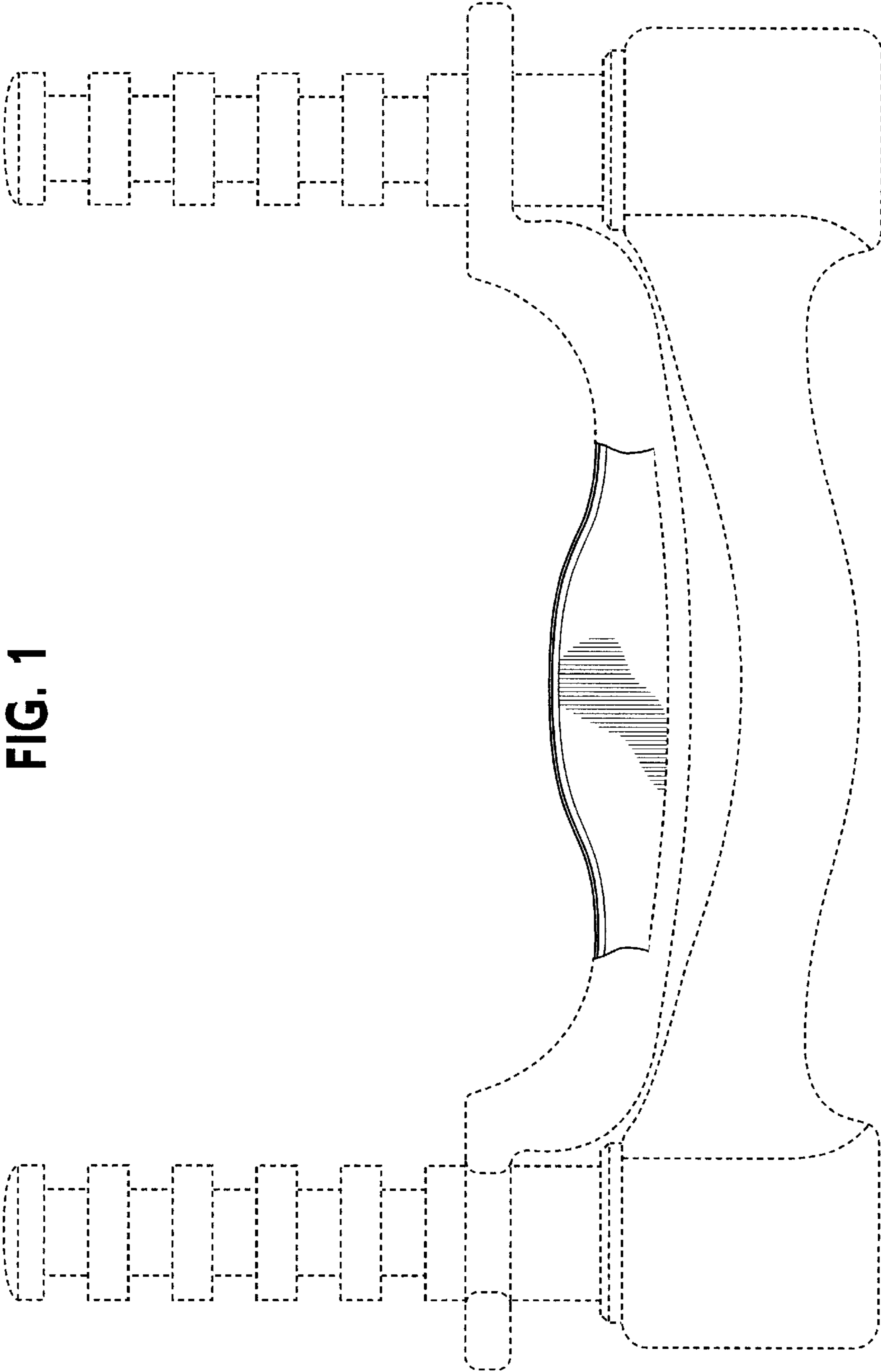


FIG. 1

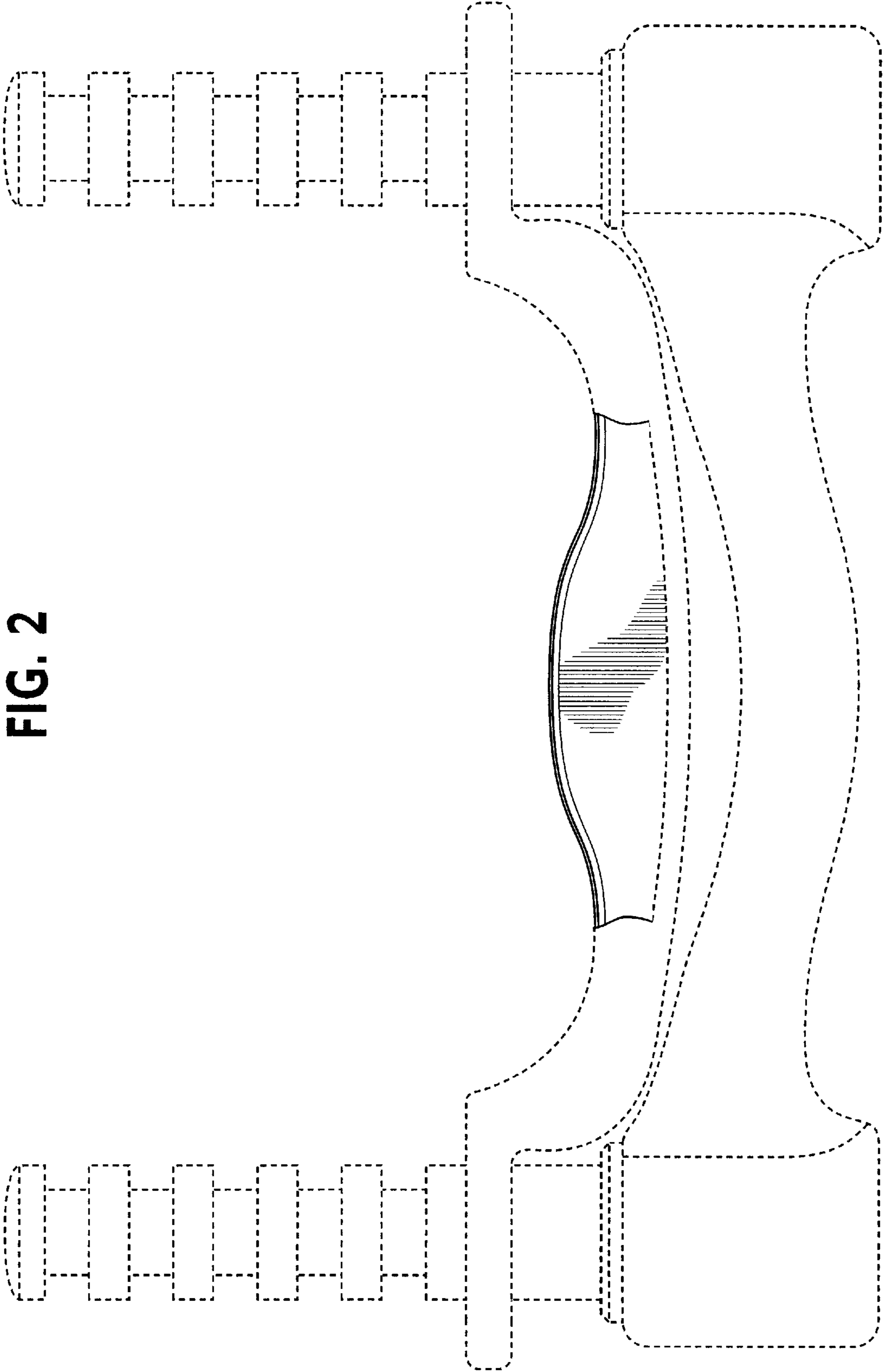


FIG. 2

FIG. 3

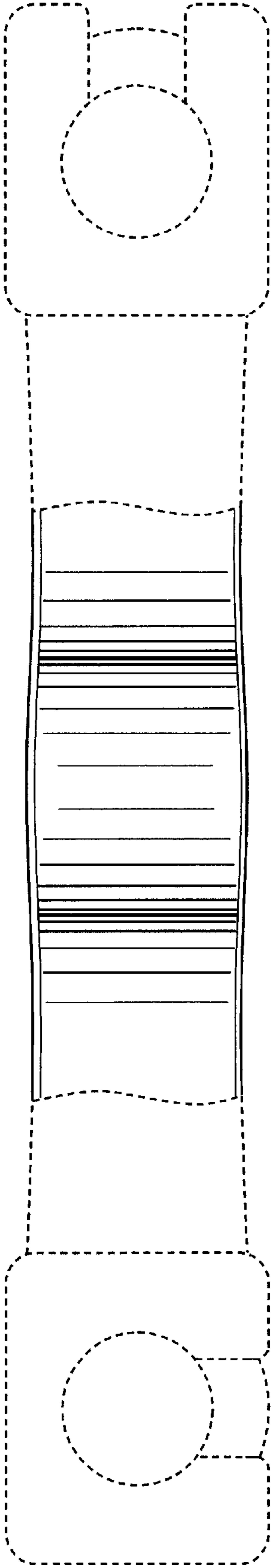


FIG. 4

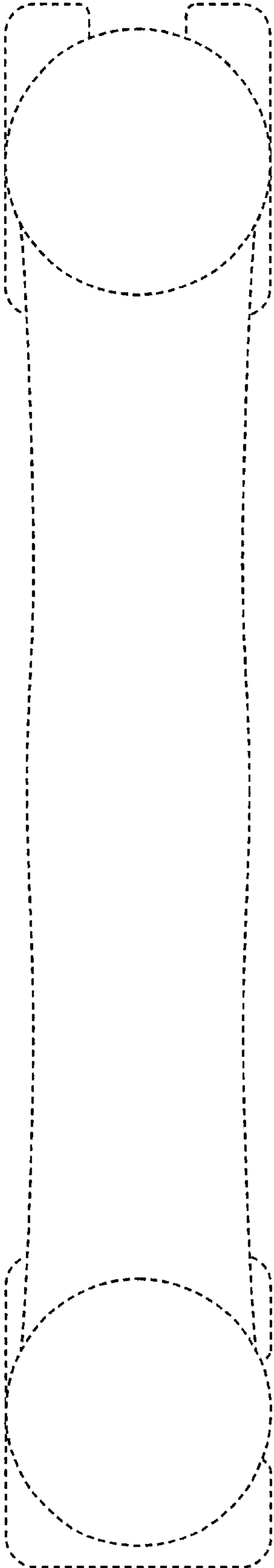


FIG. 5

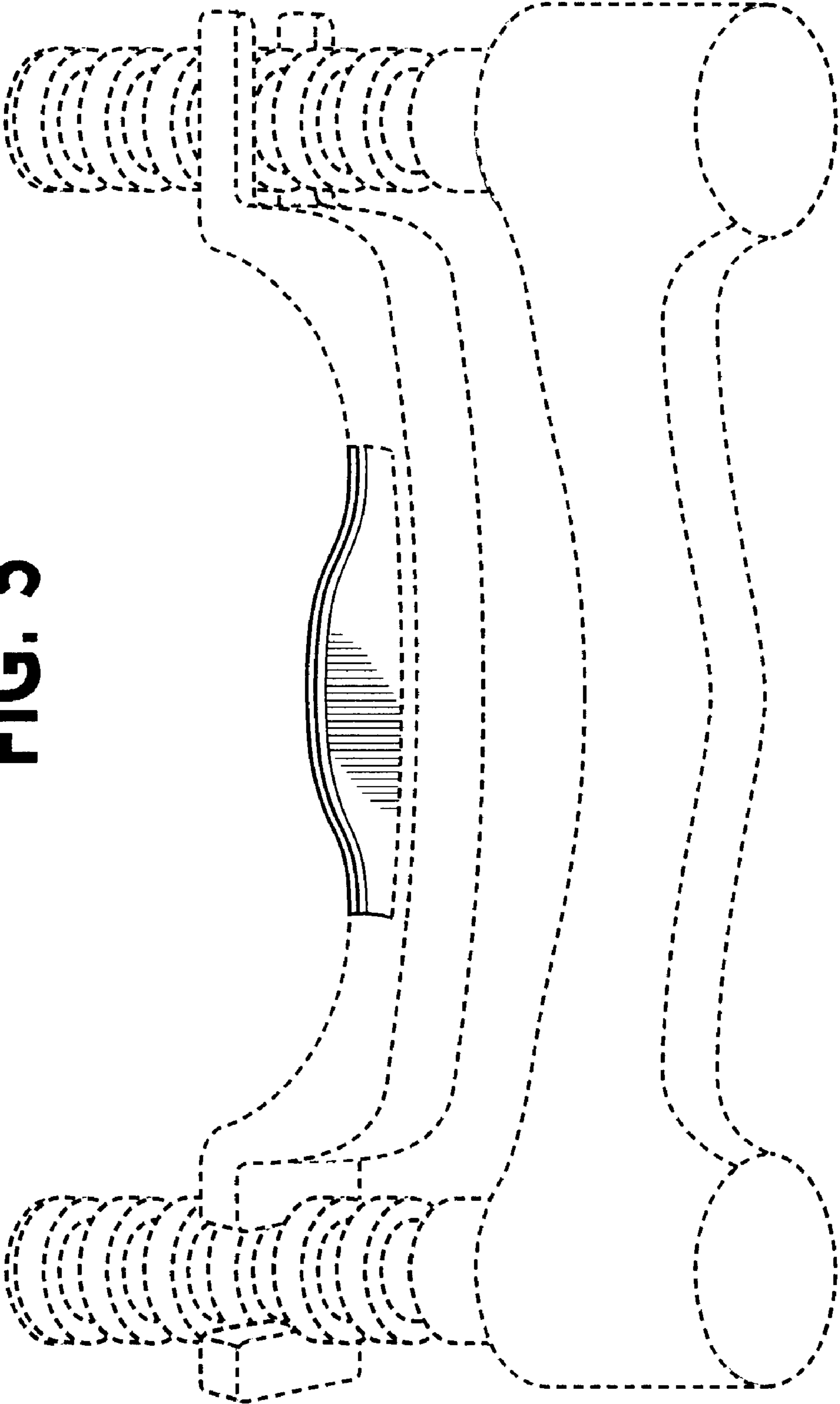


FIG. 6

