



US00D517434S

(12) **United States Design Patent**
Chang

(10) **Patent No.:** **US D517,434 S**

(45) **Date of Patent:** **** Mar. 21, 2006**

(54) **CLAMP MULTIMETER**

(75) **Inventor:** **Shan-Wen Chang, Taipei (TW)**

(73) **Assignee:** **APPA Technology Corp., Taipei (TW)**

(**) **Term:** **14 Years**

(21) **Appl. No.:** **29/229,113**

(22) **Filed:** **May 4, 2005**

(51) **LOC (8) Cl.** **10-04**

(52) **U.S. Cl.** **D10/79**

(58) **Field of Classification Search** D10/78,
D10/79; 324/72.5, 110, 114, 115, 149, 151 A,
324/151 R, 156, 158 F, 126-130, 158 P
See application file for complete search history.

(56) **References Cited**

U.S. PATENT DOCUMENTS

- D440,892 S * 4/2001 Kuramoto D10/79
- D446,138 S * 8/2001 Chang D10/79
- D450,002 S * 11/2001 Chang D10/79

- D467,190 S * 12/2002 Ikeda et al. D10/79
- D472,829 S * 4/2003 Chang D10/79
- D472,830 S * 4/2003 Chang D10/79
- 6,731,102 B1 * 5/2004 Gregorec et al. 324/99 D

* cited by examiner

Primary Examiner—Antoine D. Davis

(74) *Attorney, Agent, or Firm*—Troxell Law Office, PLLC

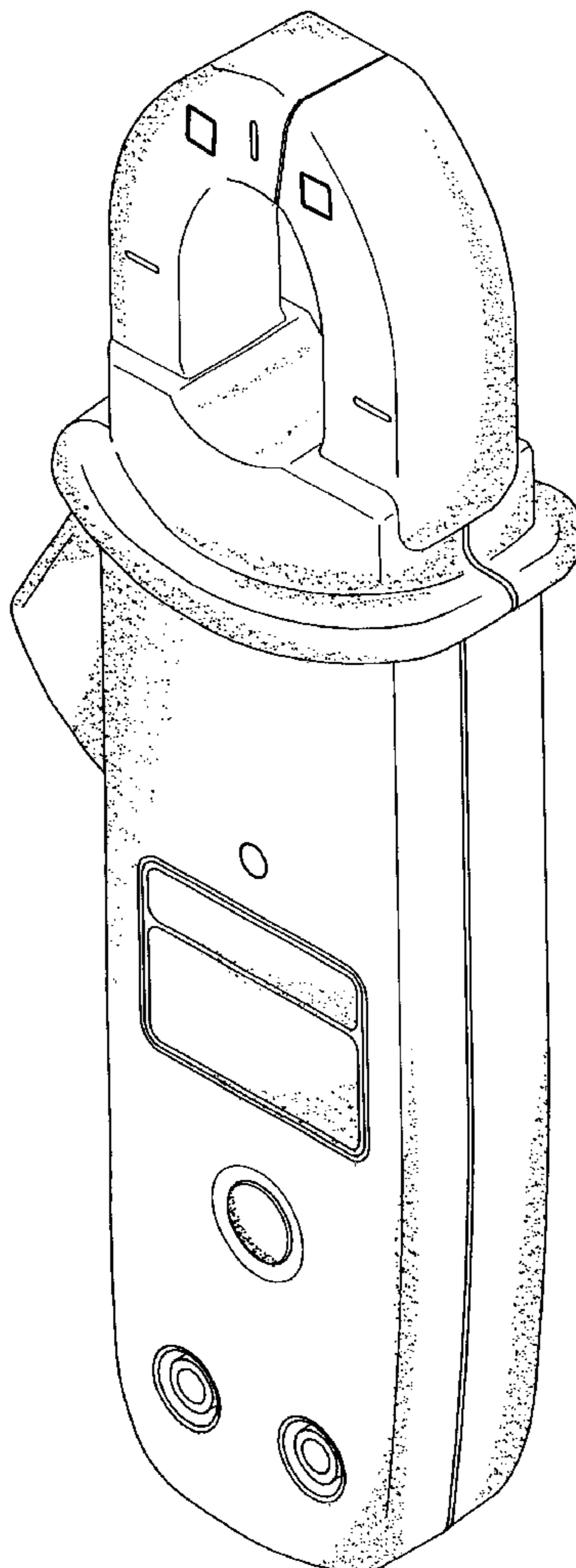
(57) **CLAIM**

The ornamental design for a clamp multimeter, as shown and described.

DESCRIPTION

FIG. 1 is a perspective view of the clamp multimeter showing the new design;
 FIG. 2 is a front view of the new design;
 FIG. 3 is a rear view of the new design;
 FIG. 4 is a left view of the new design;
 FIG. 5 is a right view of the new design;
 FIG. 6 is a top view of the new design; and,
 FIG. 7 is a bottom view of the new design.

1 Claim, 6 Drawing Sheets



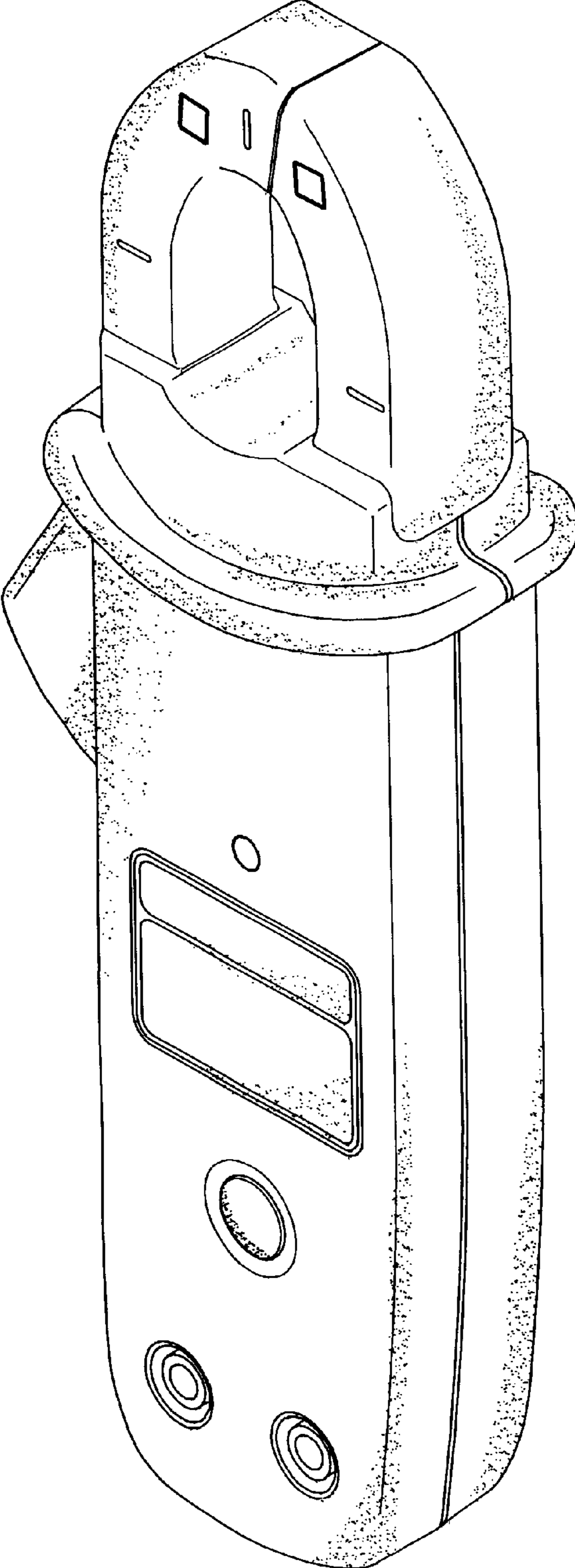


FIG. 1

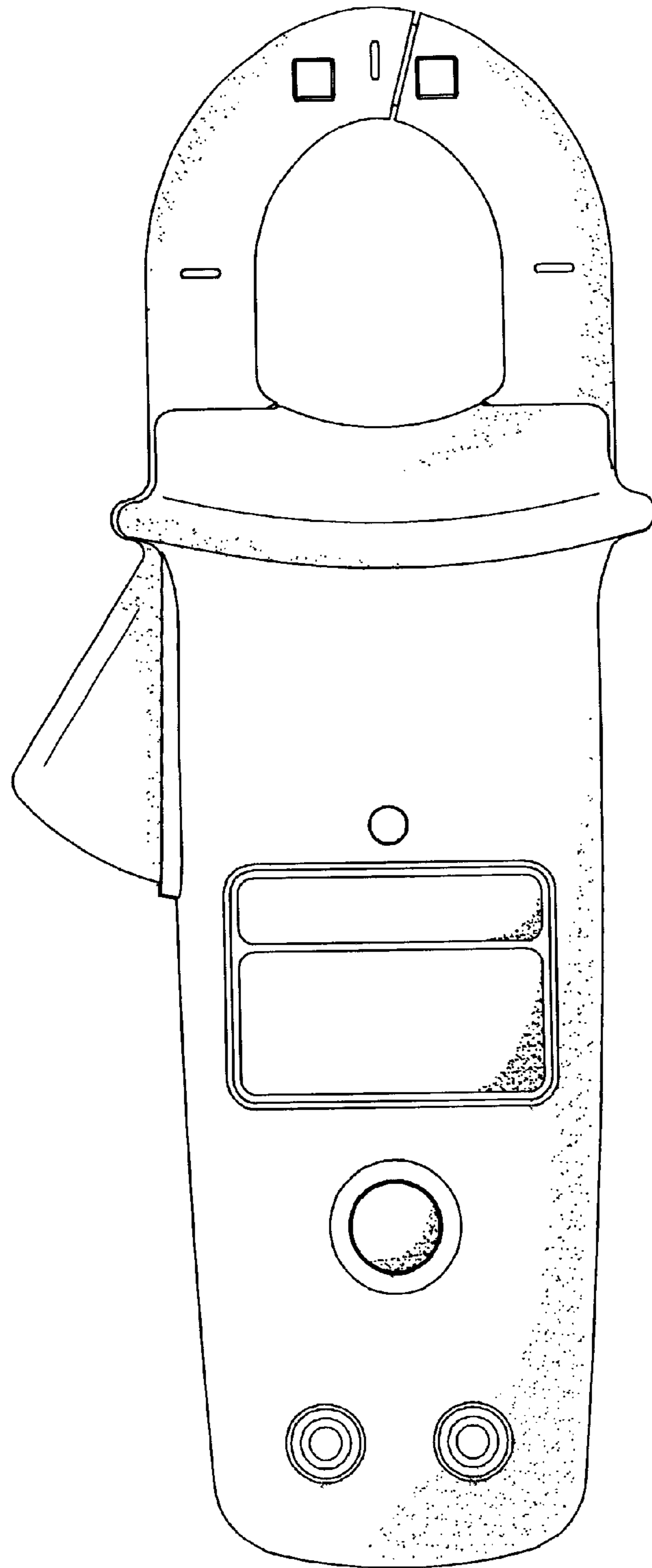


FIG. 2

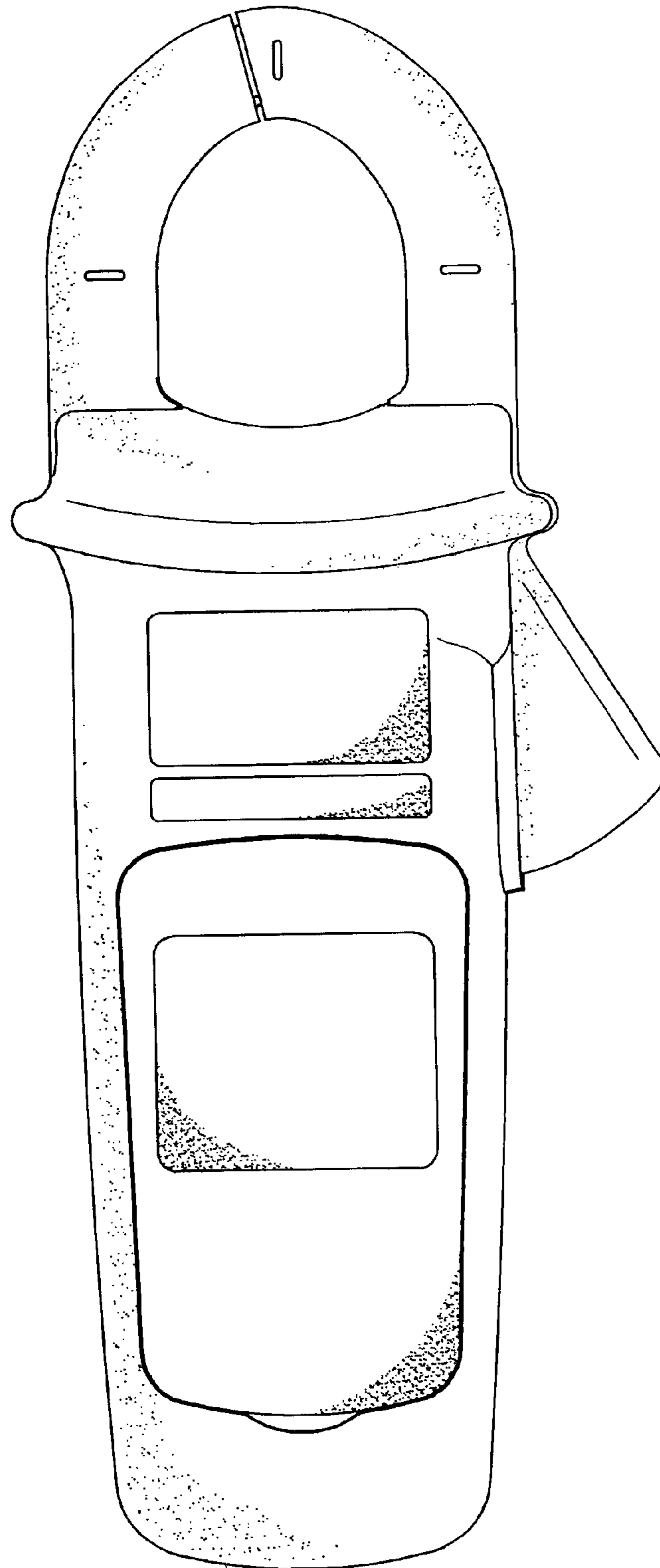


FIG. 3

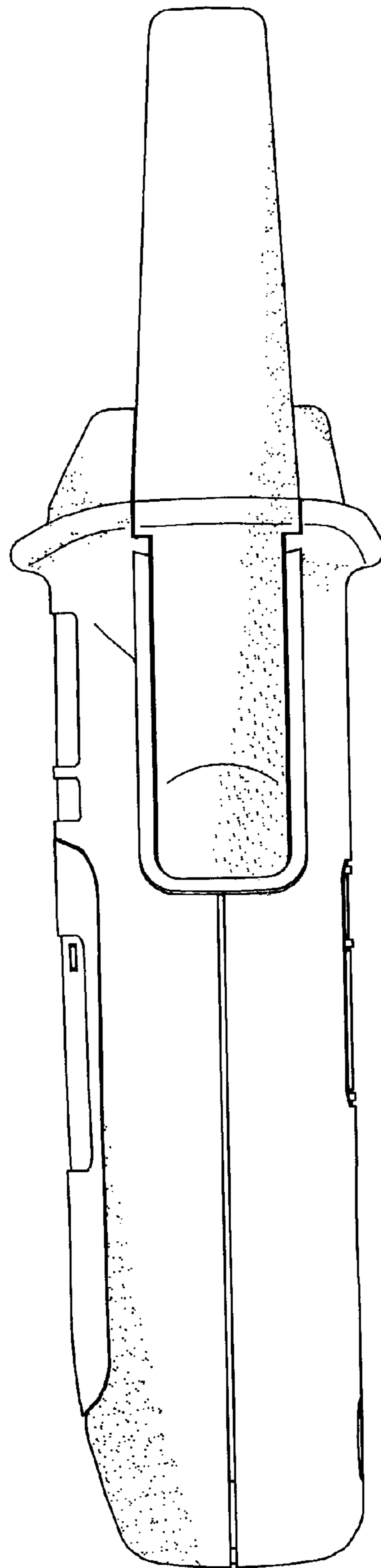


FIG. 4

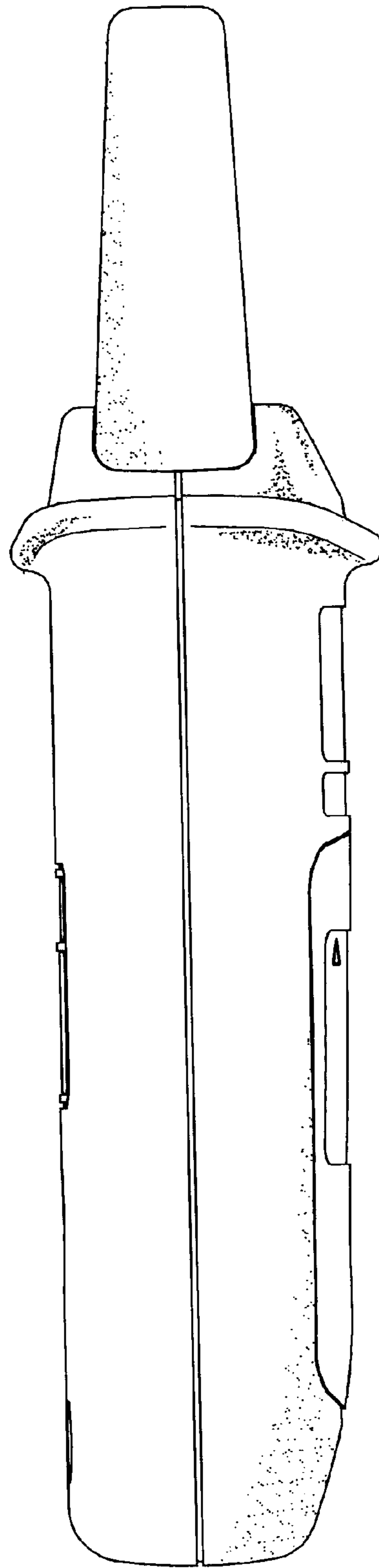


FIG. 5

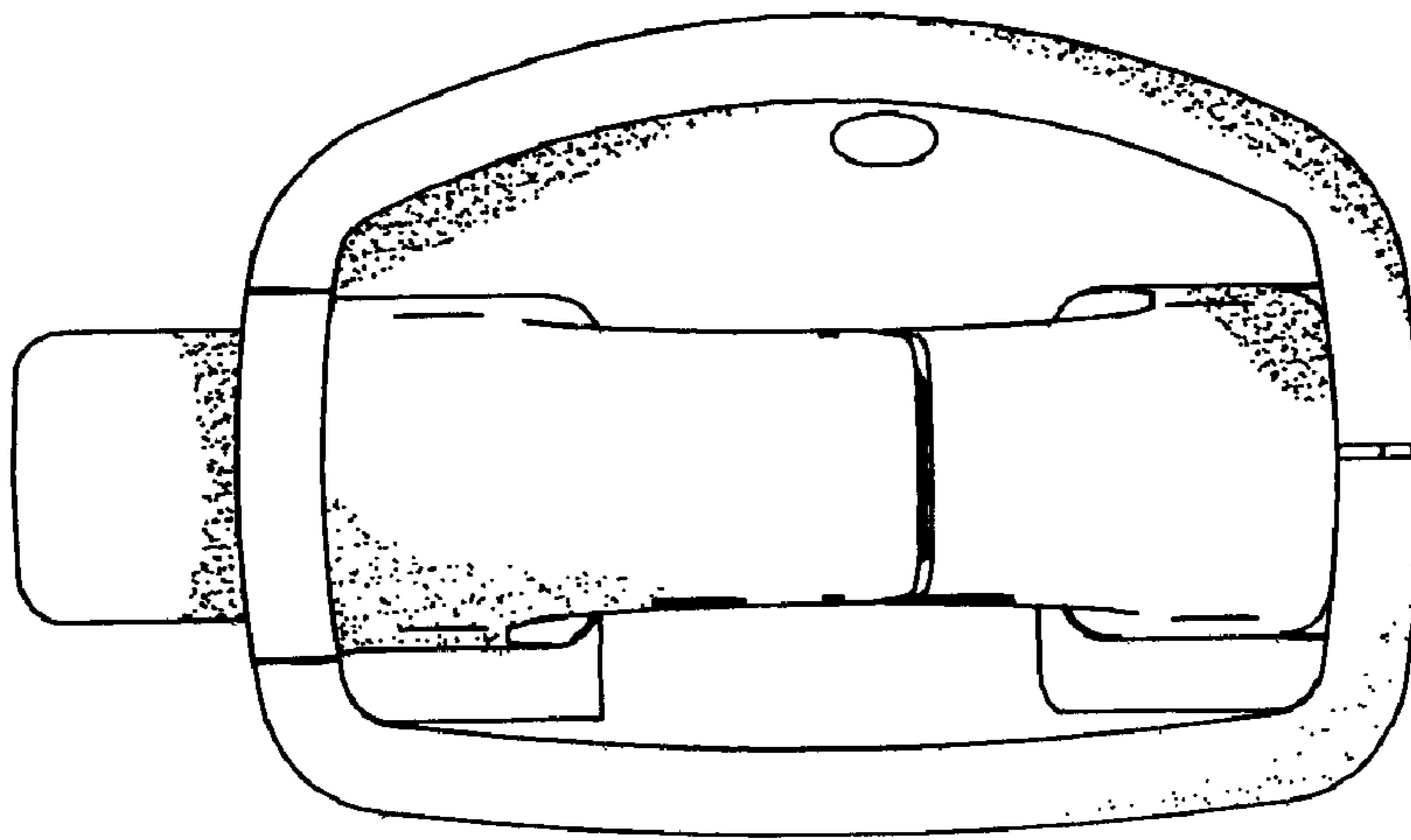


FIG. 6

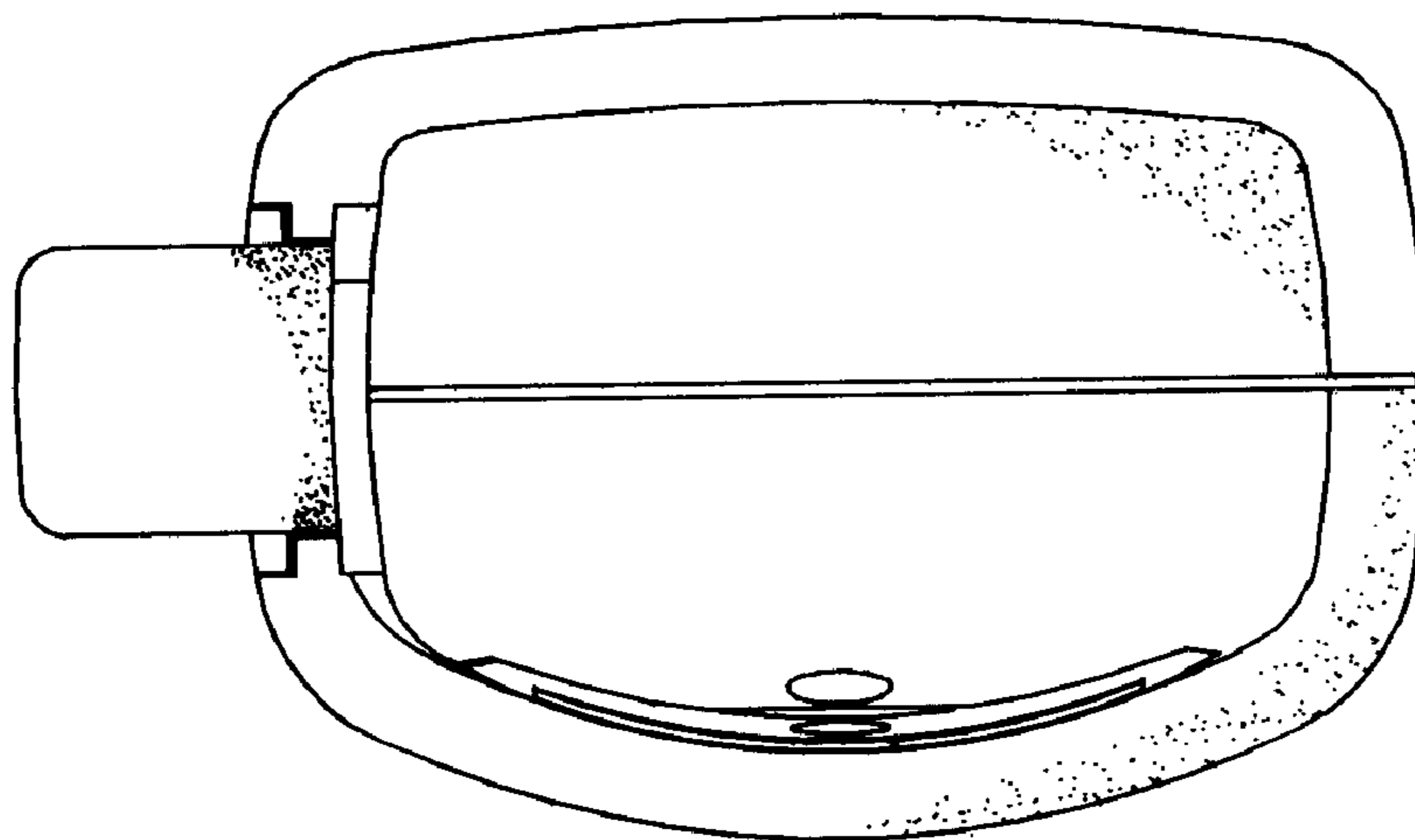


FIG. 7