

US00D517430S

(12) **United States Design Patent**
TerMeer et al.

(10) **Patent No.:** **US D517,430 S**
(45) **Date of Patent:** **** Mar. 21, 2006**

(54) **CLOCK**

(75) Inventors: **James D. TerMeer**, Concord, NH (US);
Joseph D. Bean, Bedford, NH (US);
Rudy Woodard, Boston, MA (US);
Kenneth David Harris, Jr., Nashua,
NH (US); **Joseph Neil Gleason**,
Milford, NH (US); **Vian W. Y. Li**,
Kowloon Tong (HK)

(73) Assignee: **Brookstone Purchasing, Inc.**,
Merriamack, NH (US)

(**) Term: **14 Years**

(21) Appl. No.: **29/201,222**

(22) Filed: **Mar. 11, 2004**

(51) **LOC (8) Cl.** **10-01**

(52) **U.S. Cl.** **D10/15; D10/26**

(58) **Field of Classification Search** D10/40,
D10/41, 1-29, 122-132; 368/96-100, 107-121,
368/285, 286, 316, 317, 294, 10, 82-84,
368/28-30, 239-242, 276-278, 280, 284,
368/63, 72, 73, 228, 232, 223

See application file for complete search history.

(56) **References Cited**

U.S. PATENT DOCUMENTS

D176,761 S * 1/1956 Hancock D10/21

D232,526 S * 8/1974 Wallach D10/26
D236,810 S * 9/1975 Hirosawa D10/15
D354,485 S * 1/1995 Maeno et al. D14/129
D386,159 S * 11/1997 Wakui et al. D14/375
D408,296 S * 4/1999 Hui D10/15

* cited by examiner

Primary Examiner—Lucy Lieberman
(74) *Attorney, Agent, or Firm*—Nixon Peabody

(57) **CLAIM**

We claim the ornamental design for a clock, as shown and described.

DESCRIPTION

FIG. 1 is a front perspective view of a clock showing our new design;

FIG. 2 is a front elevational view thereof;

FIG. 3. is a top plan view thereof;

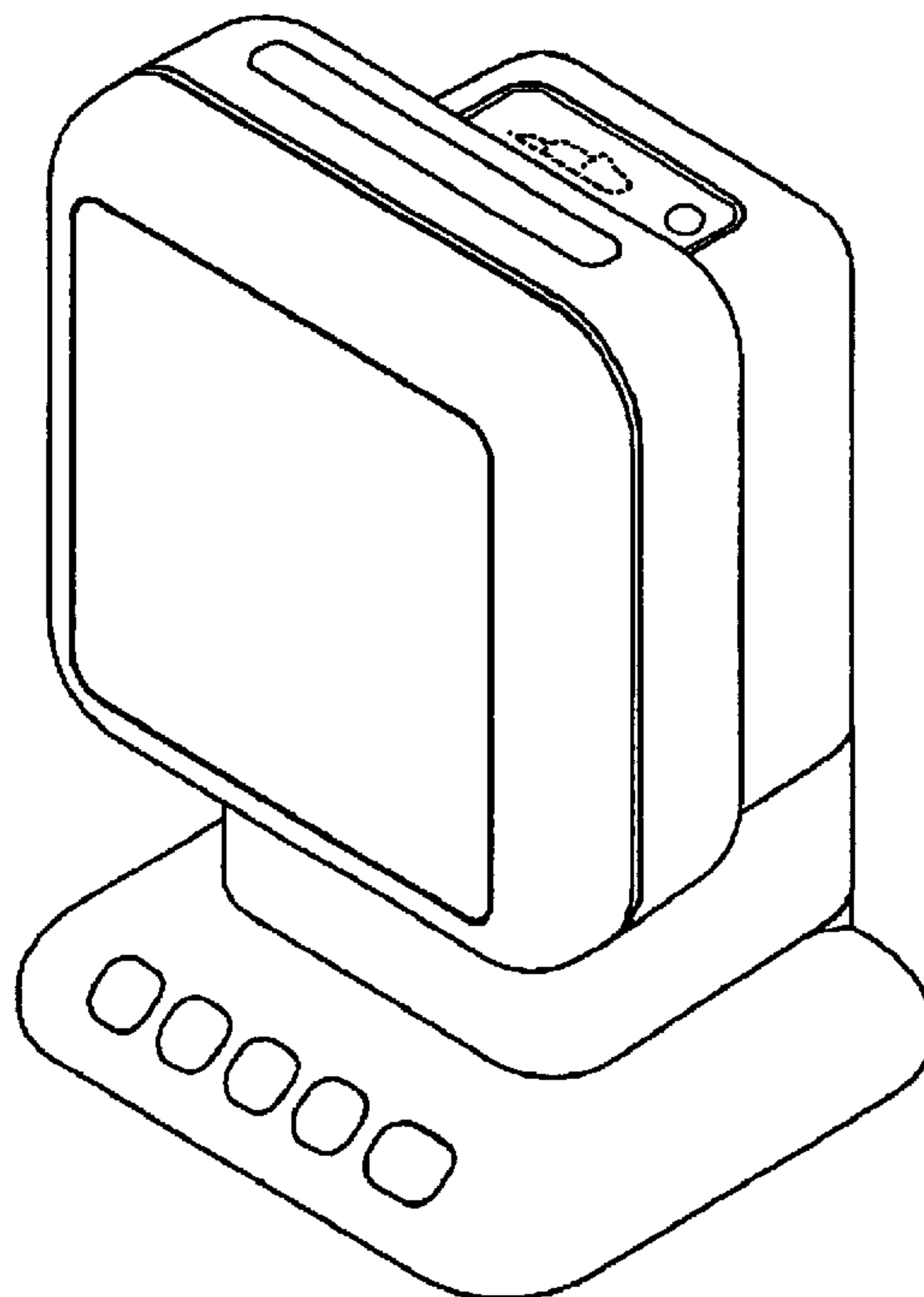
FIG. 4 is a bottom plan view thereof;

FIG. 5 is a right side elevation thereof; and,

FIG. 6 is a left side elevation thereof.

The broken lines showing portions of the clock in FIGS. 1 and 3 are for illustrative purposes only and do not form part of the claimed design.

1 Claim, 6 Drawing Sheets



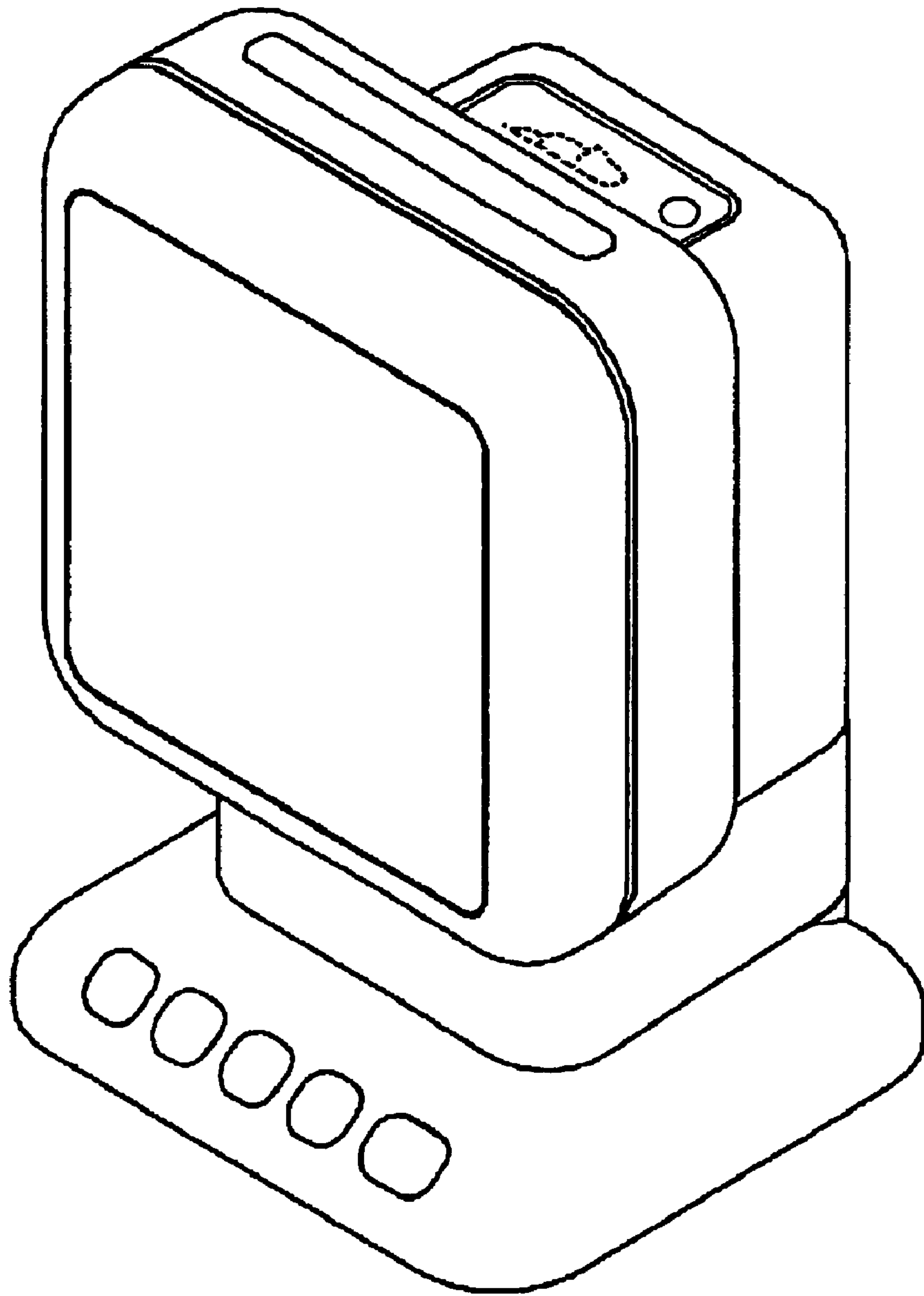


Figure 1

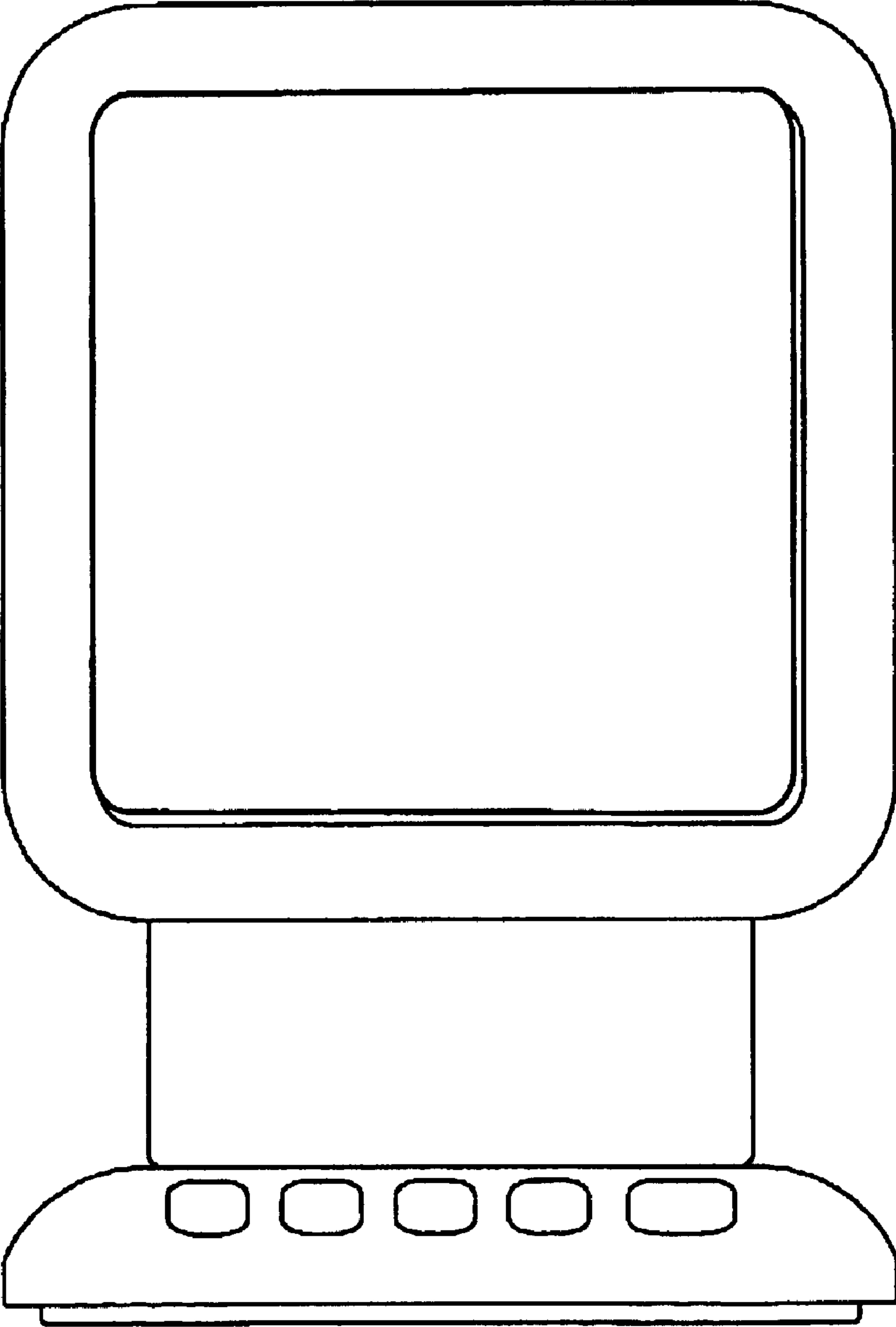


Figure 2

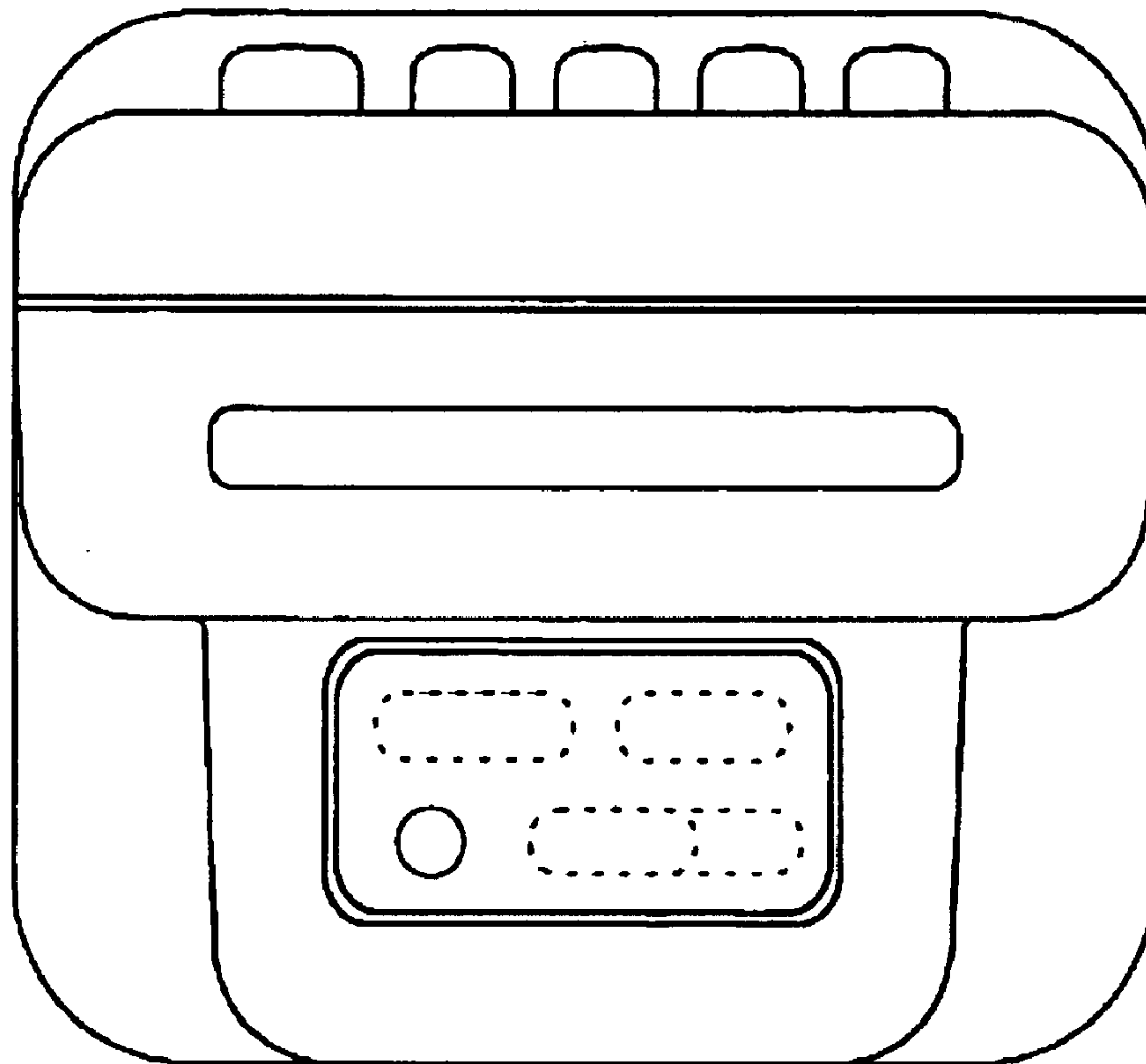


Figure 3

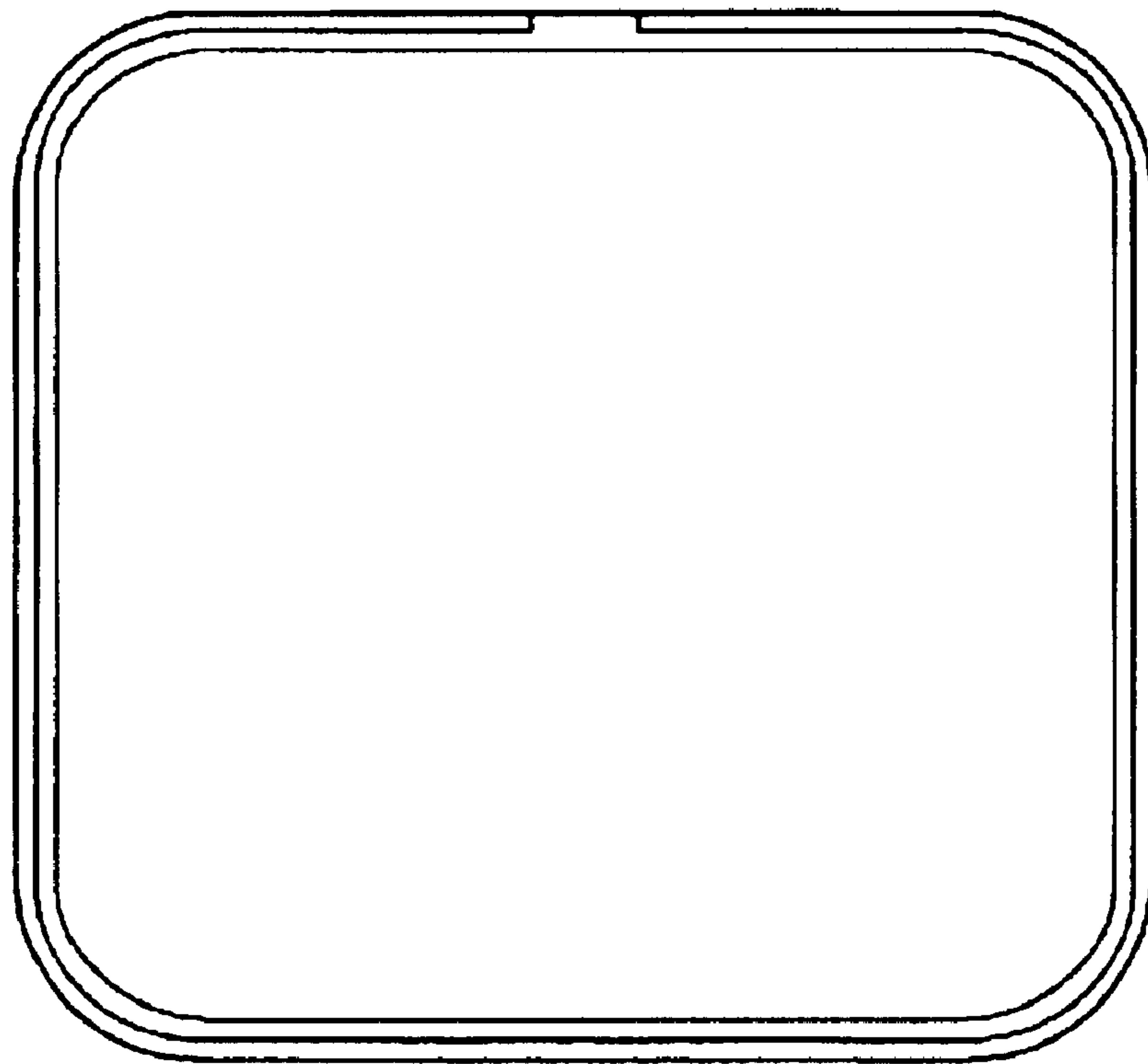


Figure 4

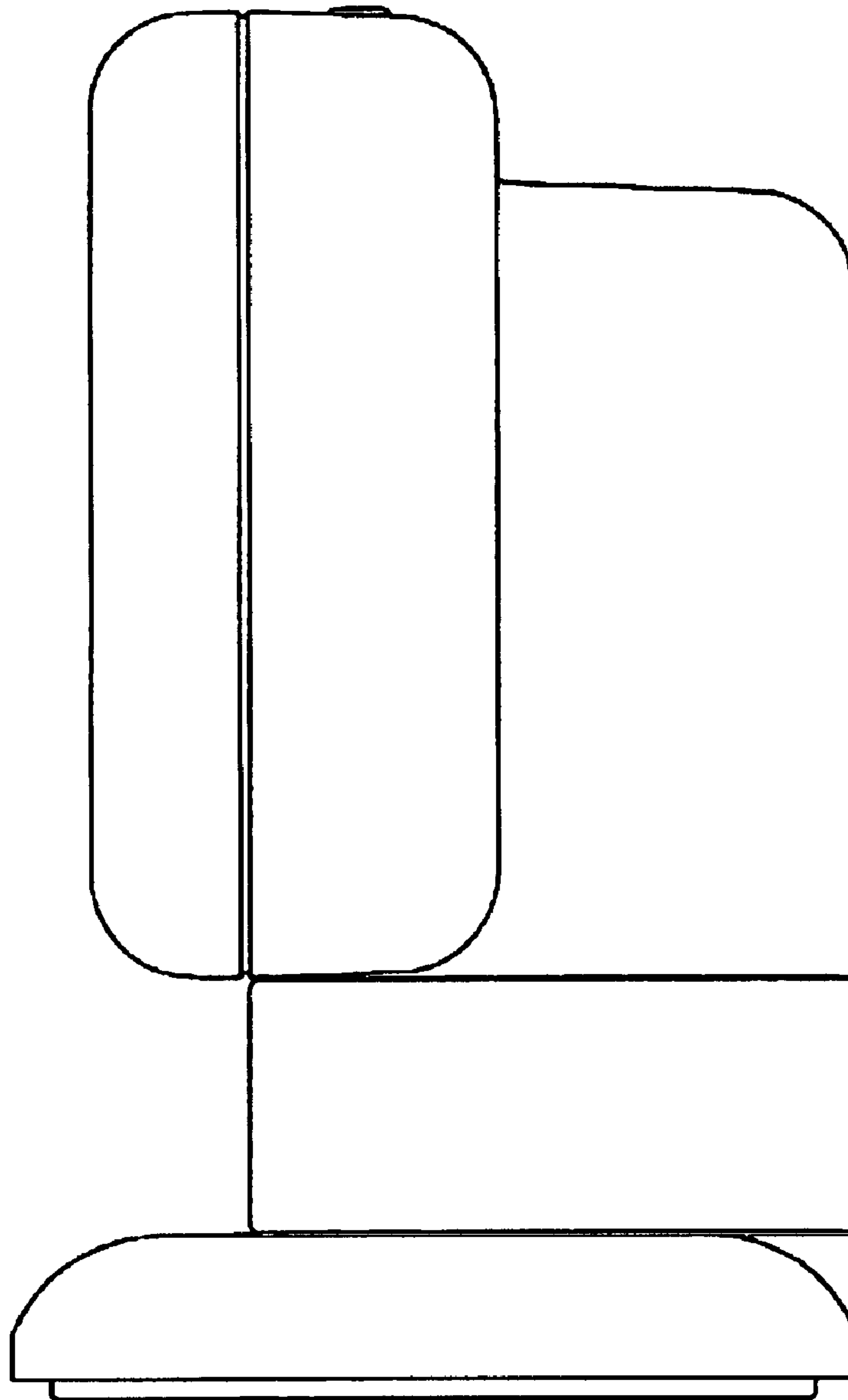


Figure 5

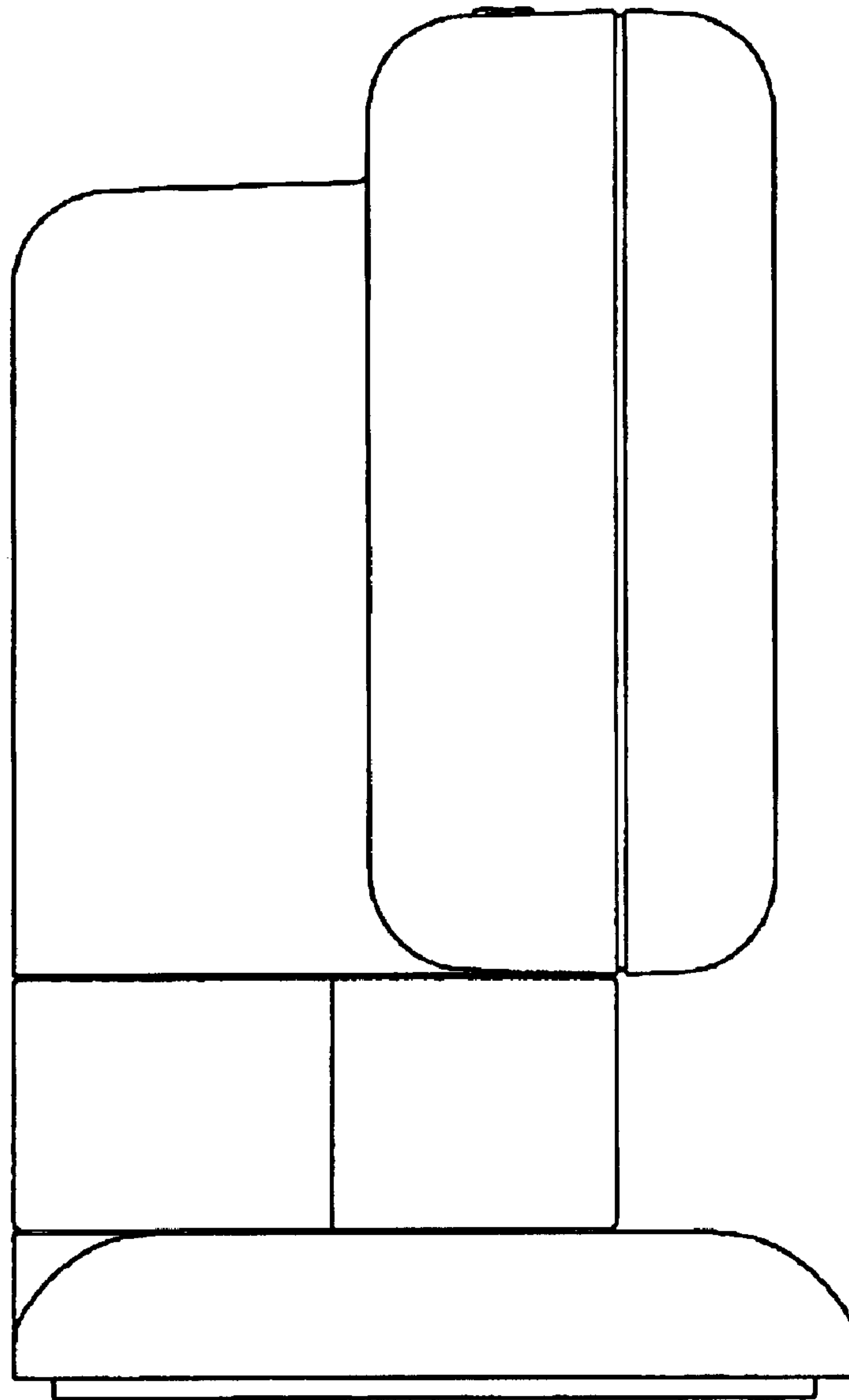


Figure 6