



US00D517427S

(12) **United States Design Patent**
Ramirez et al.

(10) **Patent No.:** **US D517,427 S**
(45) **Date of Patent:** **** Mar. 21, 2006**

(54) **TWO-COMPARTMENT CONTAINER**

D353,327 S * 12/1994 Castner et al. D9/425
5,947,321 A * 9/1999 Vadney 220/367.1
6,102,231 A * 8/2000 Rider et al. 220/4.23

(75) Inventors: **Richard L. Ramirez**, Lawrenceville,
GA (US); **Mark A. Bergeron**, Lithonia,
GA (US)

* cited by examiner

(73) Assignee: **Tekni-Plex, Inc.**, Somerville, NJ (US)

Primary Examiner—Stella Reid
Assistant Examiner—Mark A. Goodwin

(**) Term: **14 Years**

(74) *Attorney, Agent, or Firm*—Pitney Hardin LLP

(21) Appl. No.: **29/201,522**

(57) **CLAIM**

(22) Filed: **Mar. 16, 2004**

The ornamental design for a two-compartment container, as shown and described.

(51) **LOC (8) Cl.** **09-03**

DESCRIPTION

(52) **U.S. Cl.** **D9/737**; D9/432; D9/425

(58) **Field of Classification Search** D9/420–426,
D9/430–432, 428, 737, 759, 756, 761, 414;
D7/602, 629; D3/273, 294; 229/406, 407,
229/902, 904; 206/508, 216; 426/106; 220/781–794,
220/674, 675, 4.21–4.24, 555, 556, 810,
220/836, 837, 841, 366.1, 367

See application file for complete search history.

FIG. 1 is a top plan view of a two-compartment container according to our new design;
FIG. 2 is a front elevational view thereof;
FIG. 3 is a left-side elevational view thereof, the right-side view being a mirror image of FIG. 3;
FIG. 4 is a rear elevational view thereof;
FIG. 5 is a bottom plan view thereof;
FIG. 6 is a perspective view thereof;
FIG. 7 is a perspective view thereof in a partially opened condition; and,
FIG. 8 is a plan view of the interior of the two-compartment container in a fully opened condition.

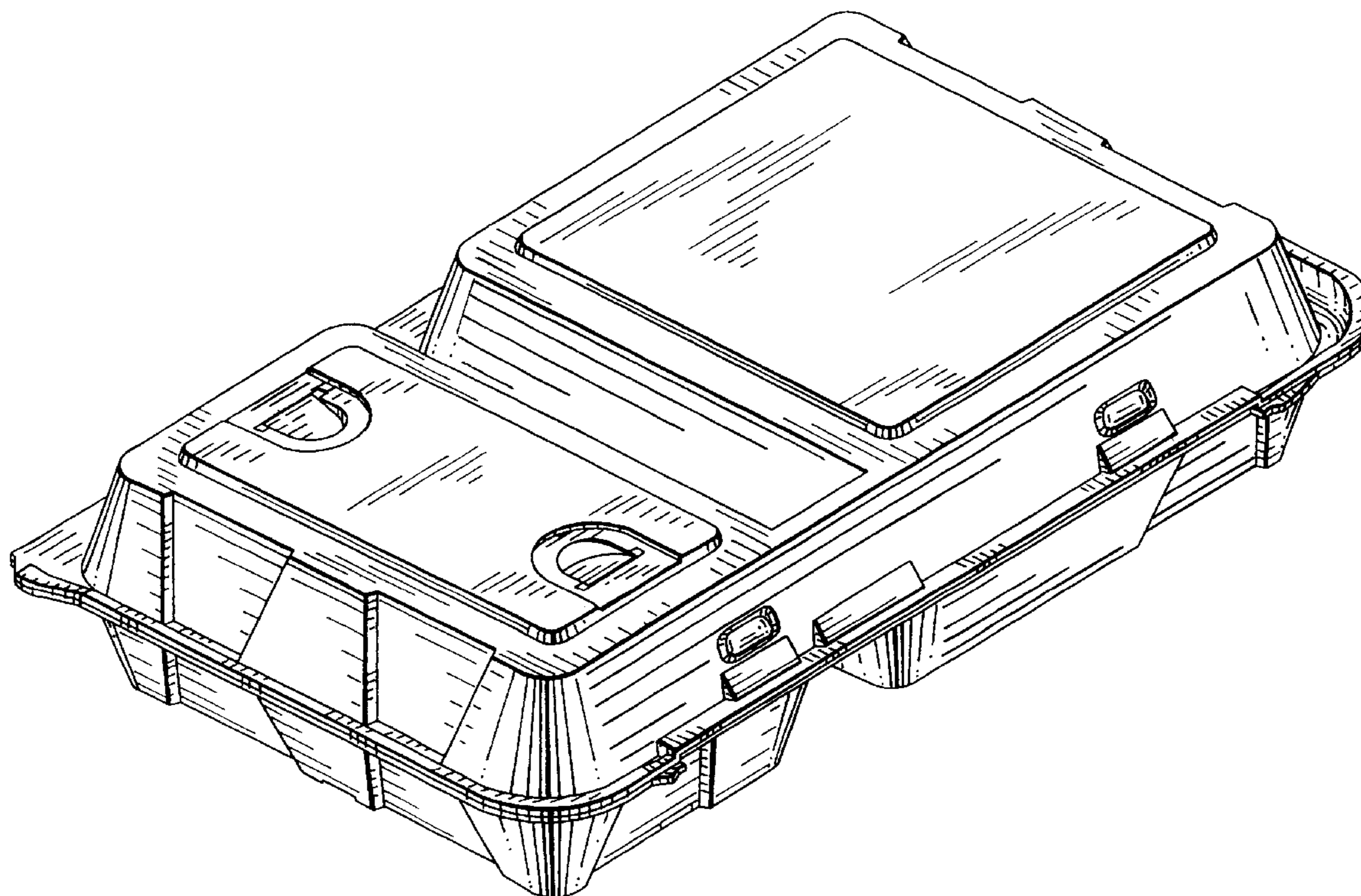
The broken line showing of the hinge area in FIG. 7 is a fold line which is for illustrative purposes only and forms no part of the claimed design.

(56) **References Cited**

U.S. PATENT DOCUMENTS

D168,664 S * 1/1953 Van Dyke D9/737
D247,159 S * 2/1978 Schidlowski et al. D9/737
D263,798 S * 4/1982 Edwards D9/426
D282,245 S * 1/1986 Yeung D9/425
4,653,685 A * 3/1987 Leary et al. 229/406
5,094,355 A * 3/1992 Clark et al. 220/4.23

1 Claim, 8 Drawing Sheets



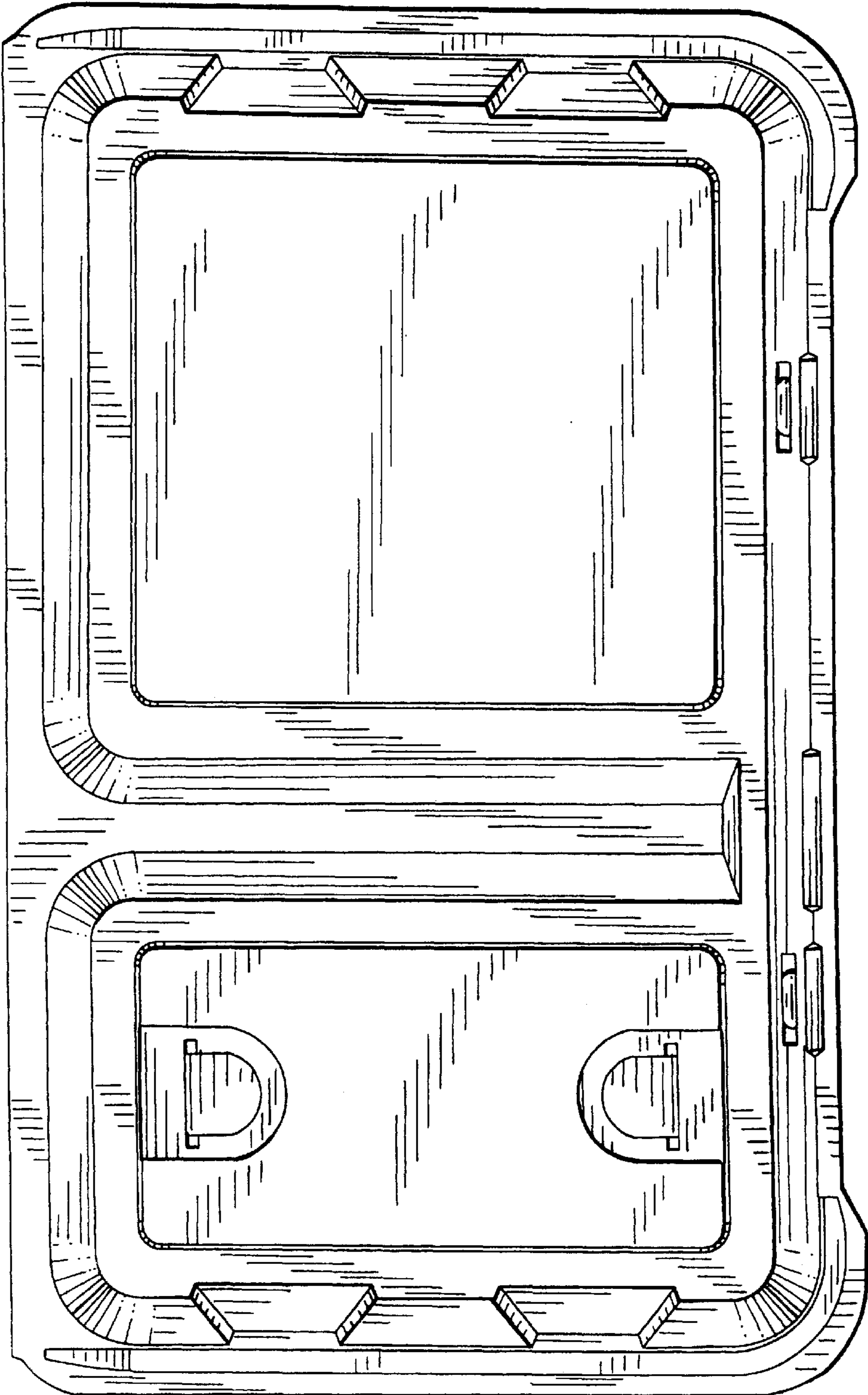


FIG. 1

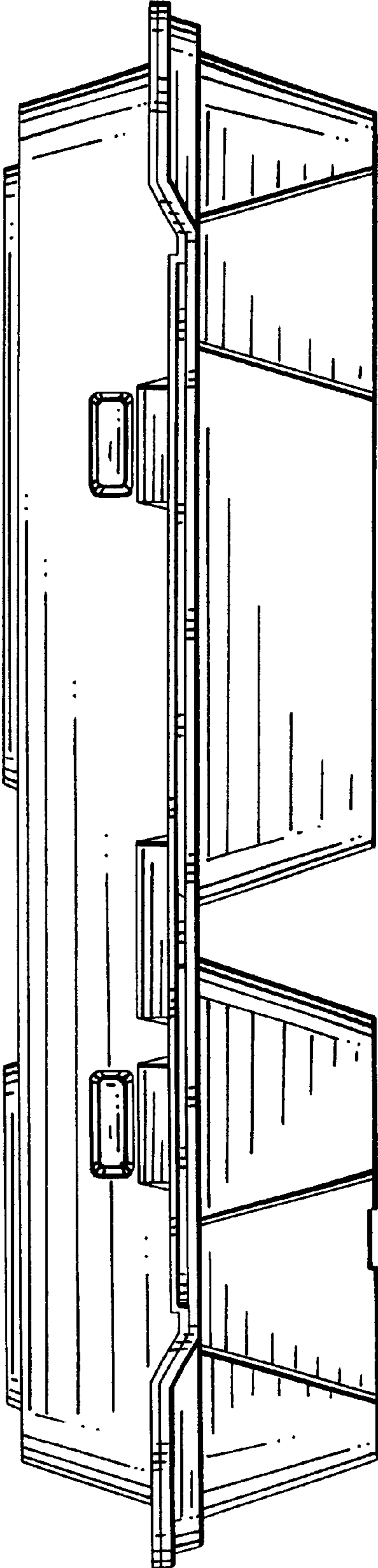


FIG. 2

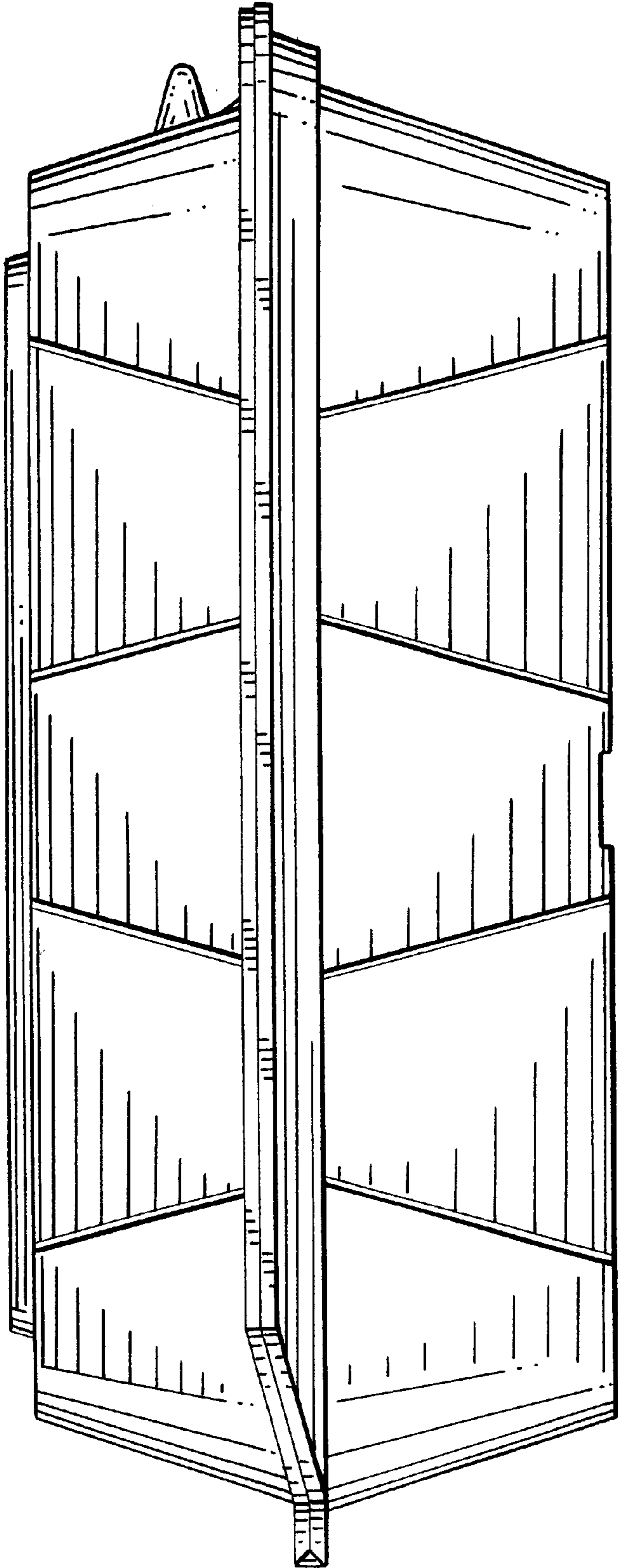


FIG. 3

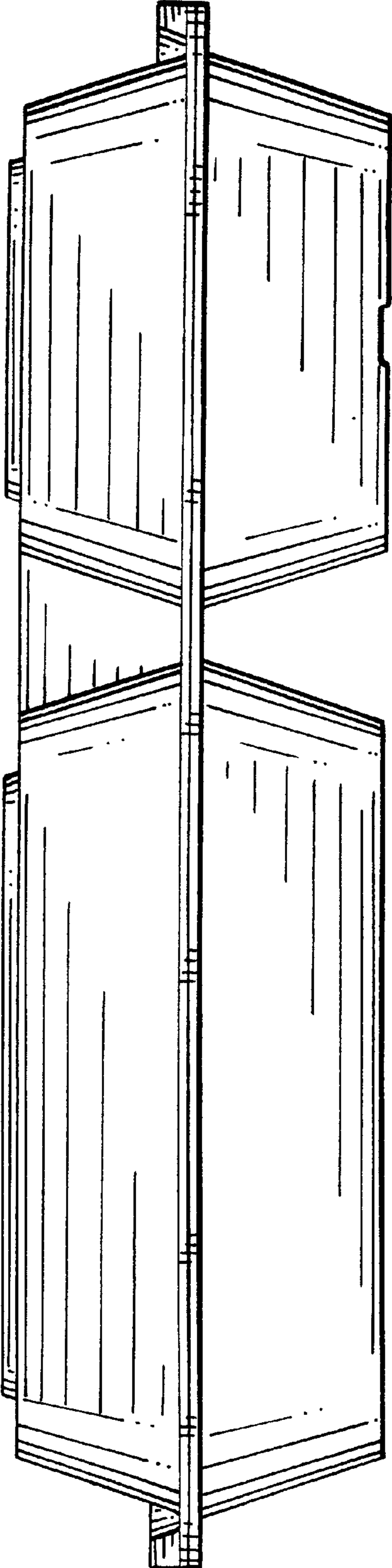


FIG. 4

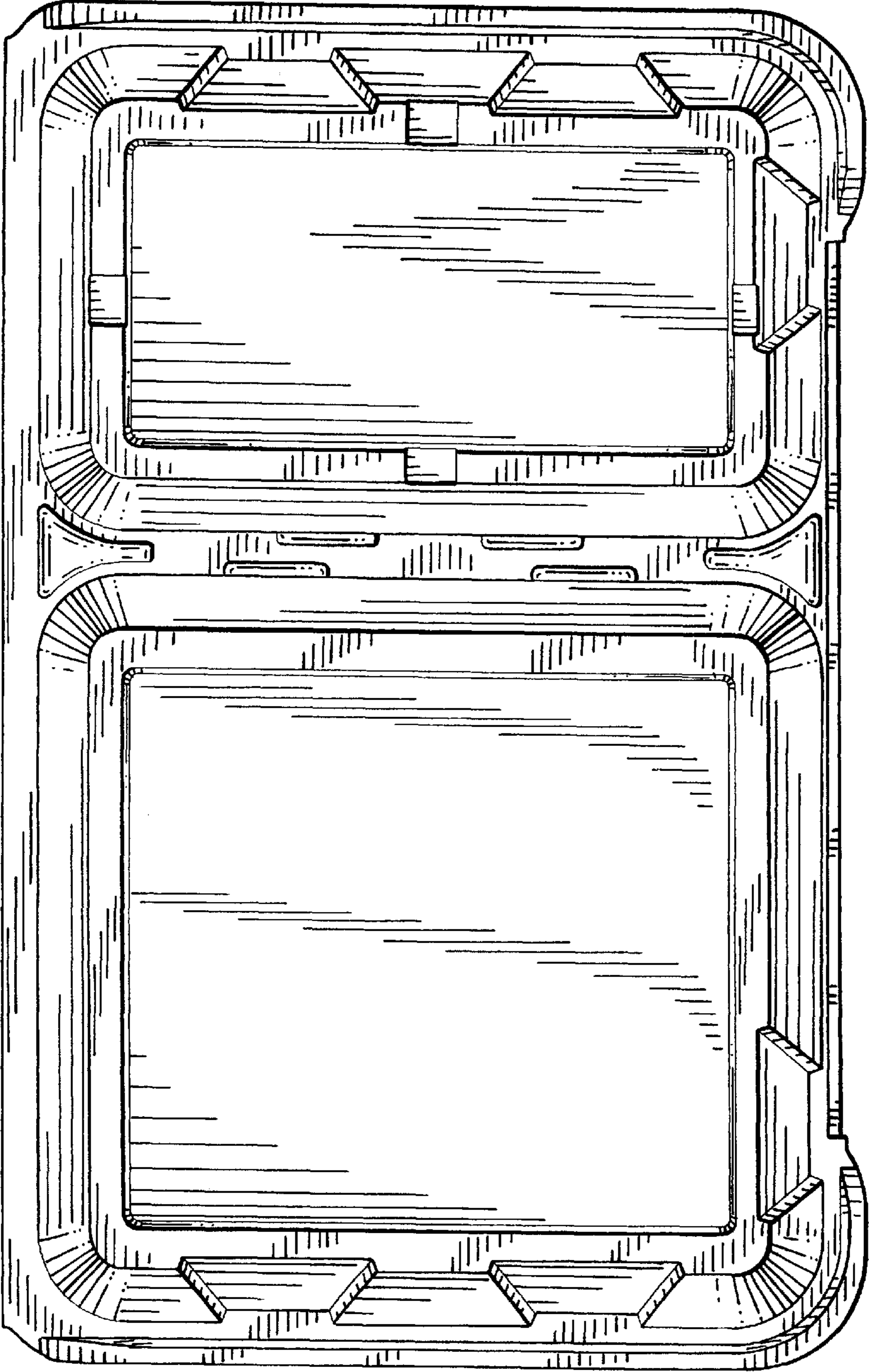


FIG. 5

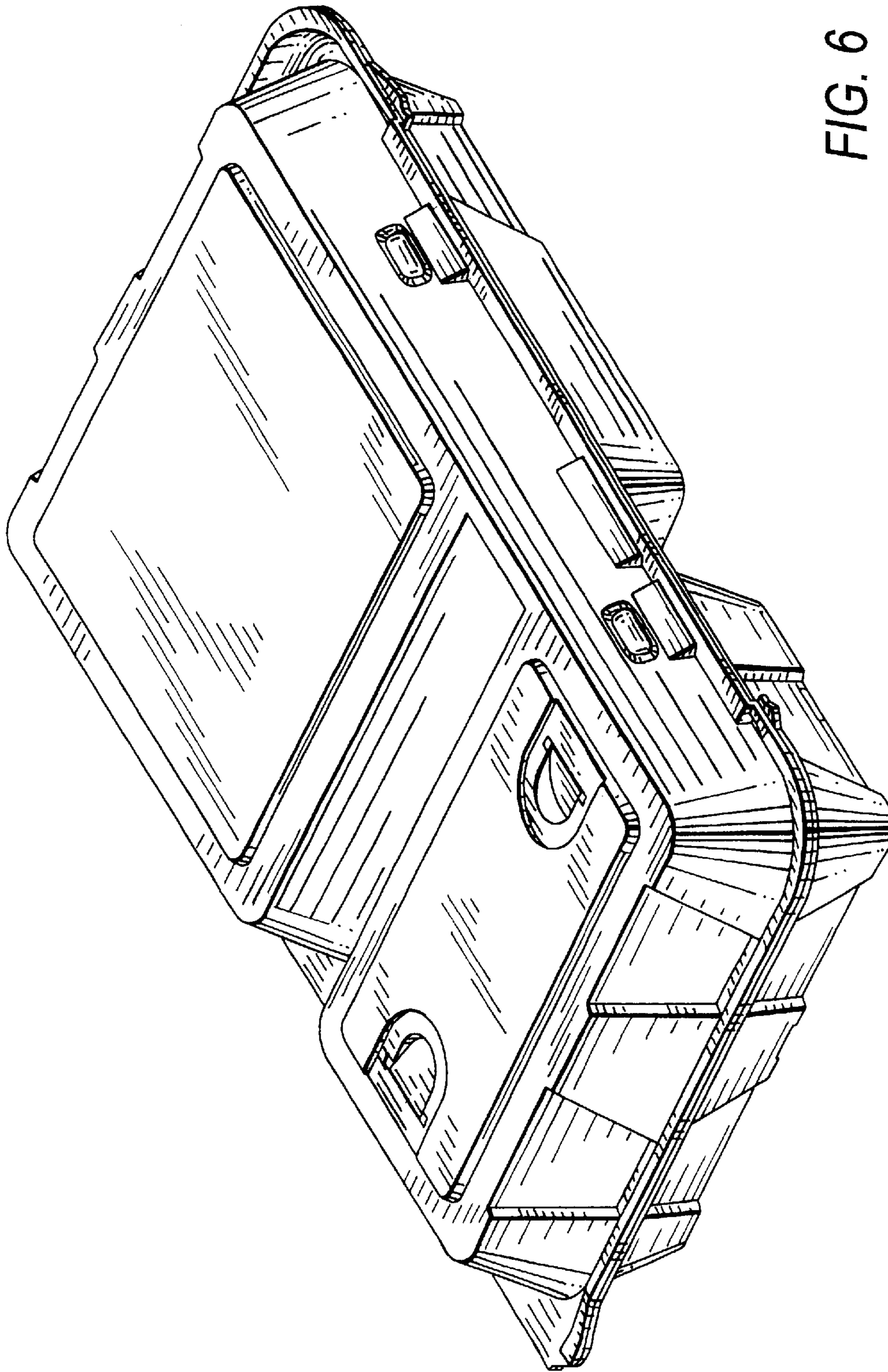


FIG. 6

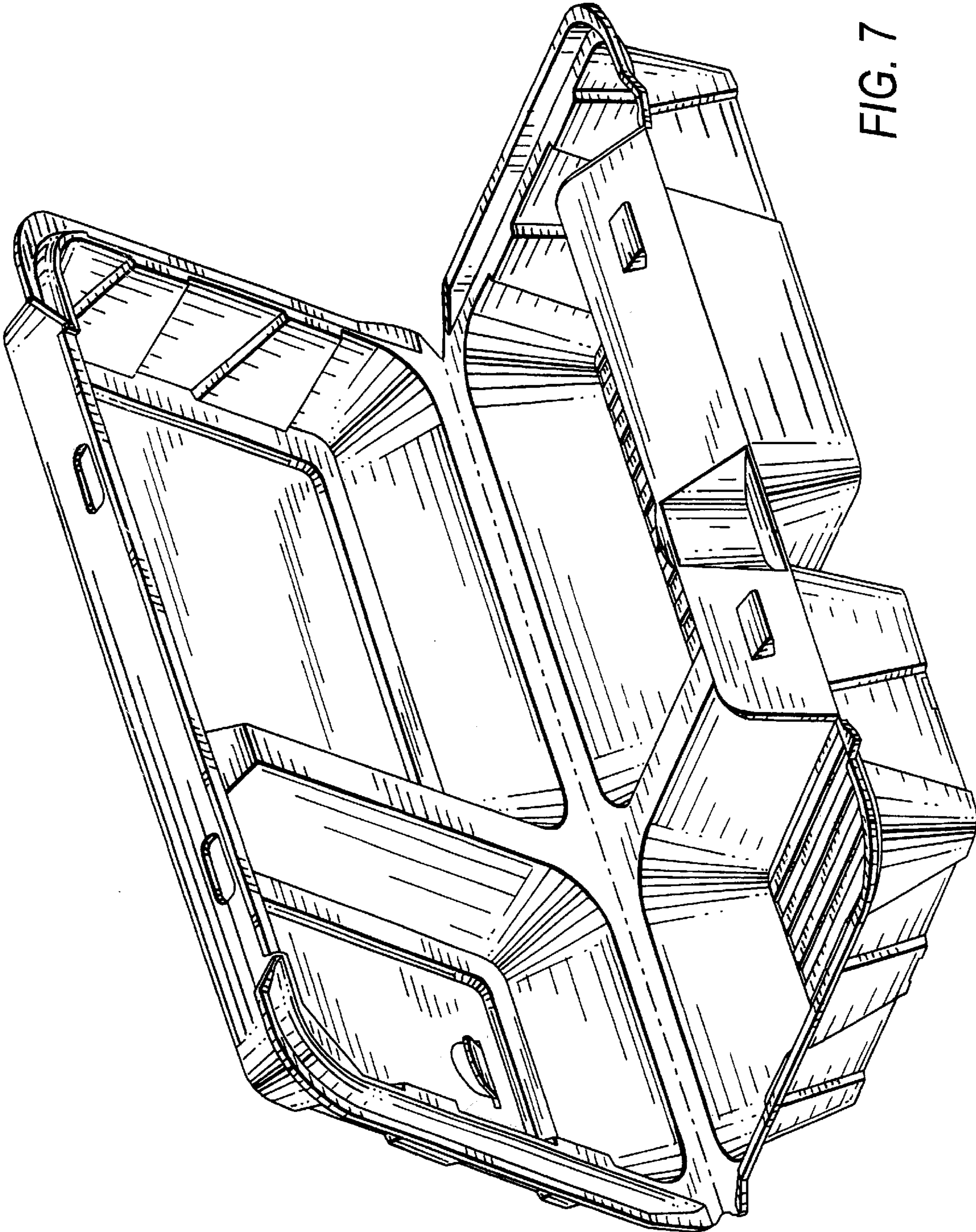


FIG. 7

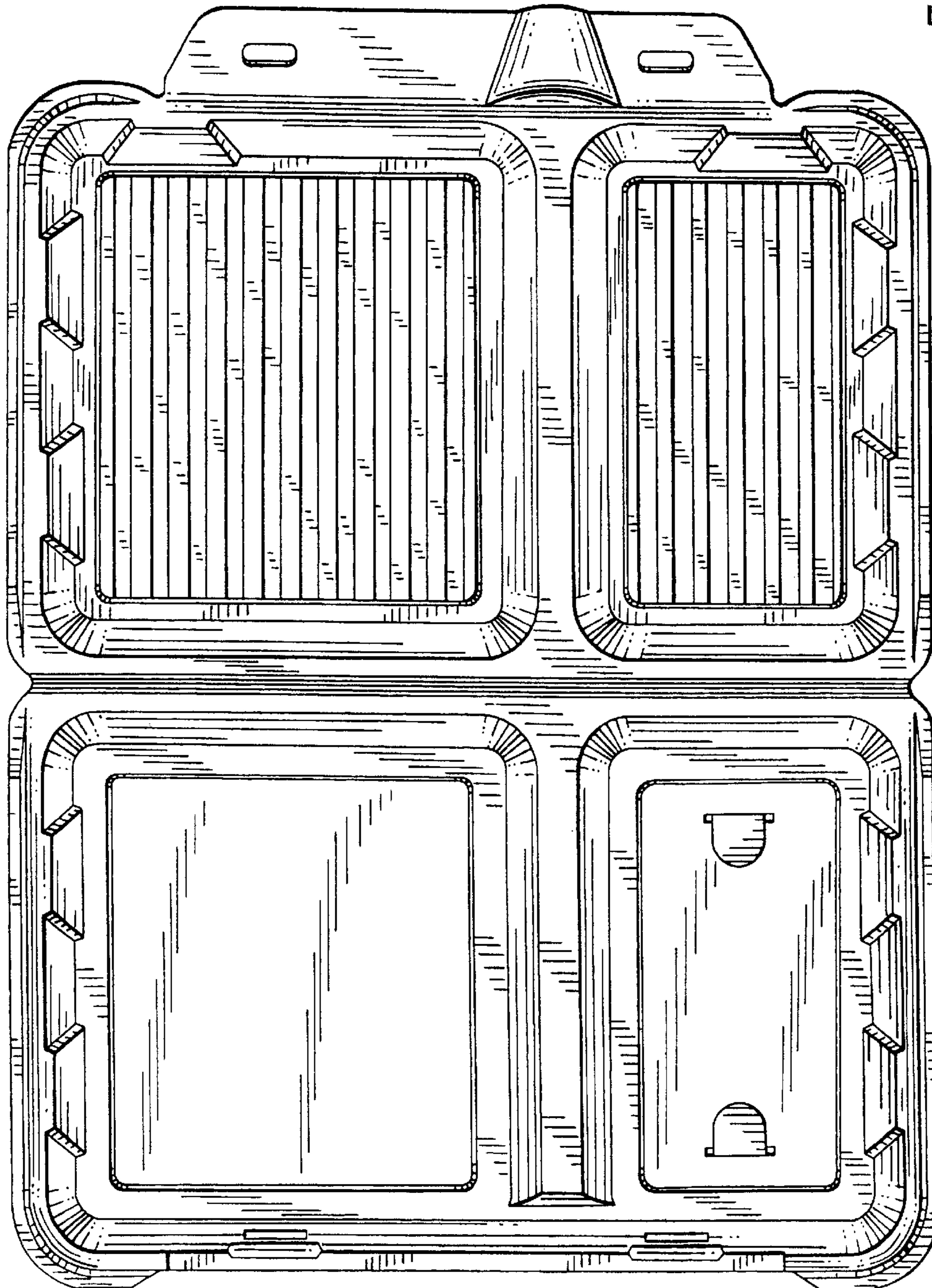


FIG. 8