



US00D517423S

(12) **United States Design Patent**
Jeschke

(10) **Patent No.:** **US D517,423 S**
(45) **Date of Patent:** **** Mar. 21, 2006**

(54) **CARBURETOR SHAPED NOVELTY CONTAINER**

DESCRIPTION

(76) Inventor: **Robert D. Jeschke**, 4711 Curundu Ave., Trotwood, OH (US) 45416

(**) Term: **14 Years**

(21) Appl. No.: **29/191,846**

(22) Filed: **Oct. 15, 2003**

(51) **LOC (8) Cl.** **09-01**

(52) **U.S. Cl.** **D9/675; D7/628; D7/539**

(58) **Field of Classification Search** D7/539,
D7/571, 613, 628-629; D9/672, 675; D11/163;
D15/6

See application file for complete search history.

(56) **References Cited**

U.S. PATENT DOCUMENTS

D236,086 S	*	7/1975	Manley	D9/672
D261,986 S	*	11/1981	Abramo	D9/672
D344,660 S	*	3/1994	Krupa	D7/539
D423,886 S	*	5/2000	Lieblein	D7/628
D447,147 S	*	8/2001	Grant	D15/6

* cited by examiner

Primary Examiner—Sandra L. Morris

(74) *Attorney, Agent, or Firm*—R. William Graham

(57) **CLAIM**

The ornamental design for the carburetor shaped novelty container, as shown and described herein.

FIG. 1 is a top view of a carburetor shaped novelty container showing my new design, the broken line showing is for illustrative purposes only, and forms no part of the claimed design;

FIG. 2 is a bottom end view of a carburetor shaped novelty container showing my new design;

FIG. 3 is a left end view of a carburetor shaped novelty container showing my new design, the broken line showing is for illustrative purposes only, and forms no part of the claimed design;

FIG. 4 is a right end view of a carburetor shaped novelty container showing my new design, the broken line showing is for illustrative purposes only, and forms no part of the claimed design;

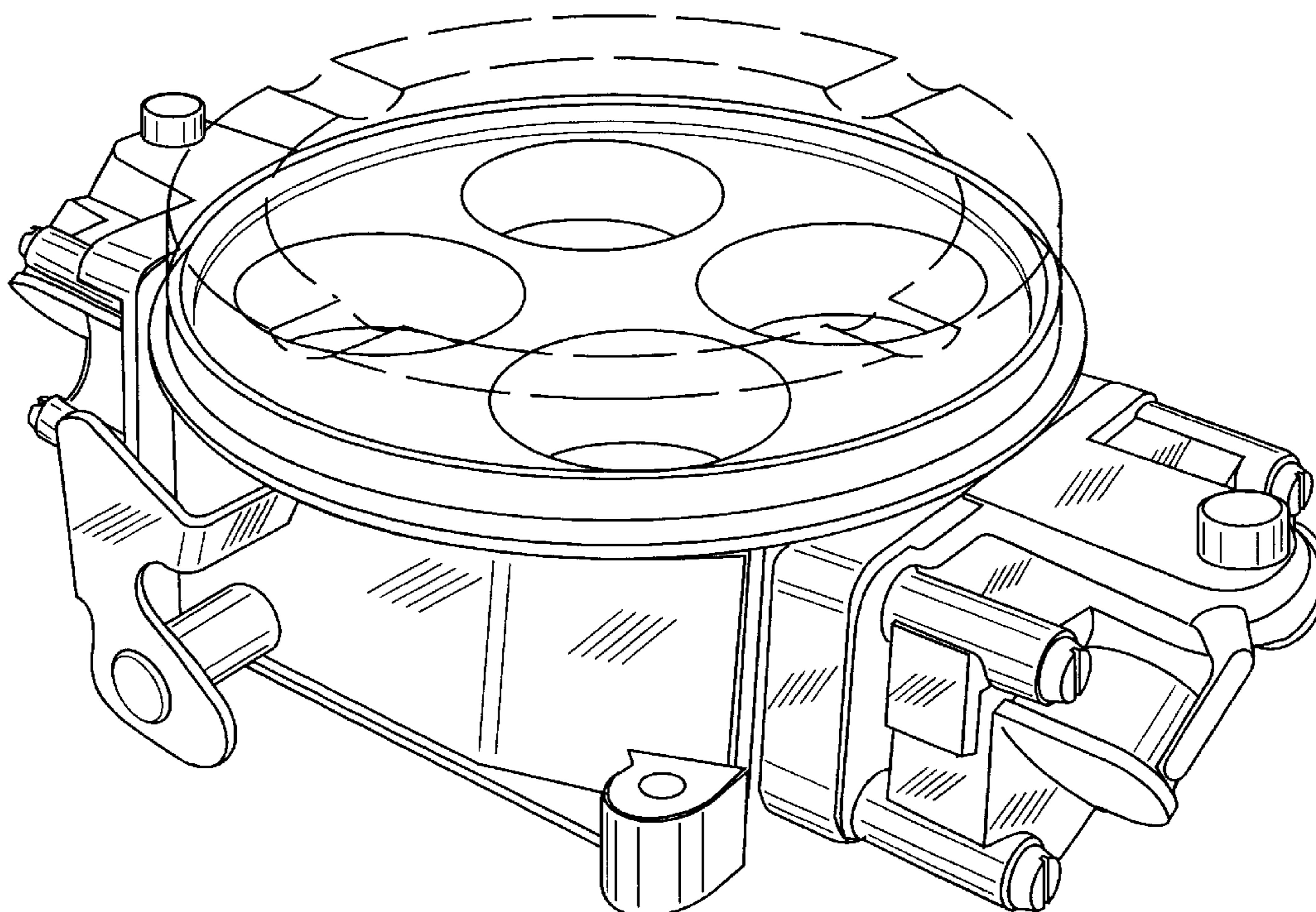
FIG. 5 is a side view of a carburetor shaped novelty container showing my new design, the broken line showing is for illustrative purposes only, and forms no part of the claimed design;

FIG. 6 is another side view of a carburetor shaped novelty container showing my new design, the broken line showing is for illustrative purposes only, and forms no part of the claimed design;

FIG. 7 is a perspective view of a carburetor shaped novelty container showing my new design, the broken line showing is for illustrative purposes only, and forms no part of the claimed design; and,

FIG. 8 is another perspective view of a carburetor shaped novelty container showing another embodiment of my new design, the broken line showing is for illustrative purposes only, and forms no part of the claimed design.

1 Claim, 8 Drawing Sheets



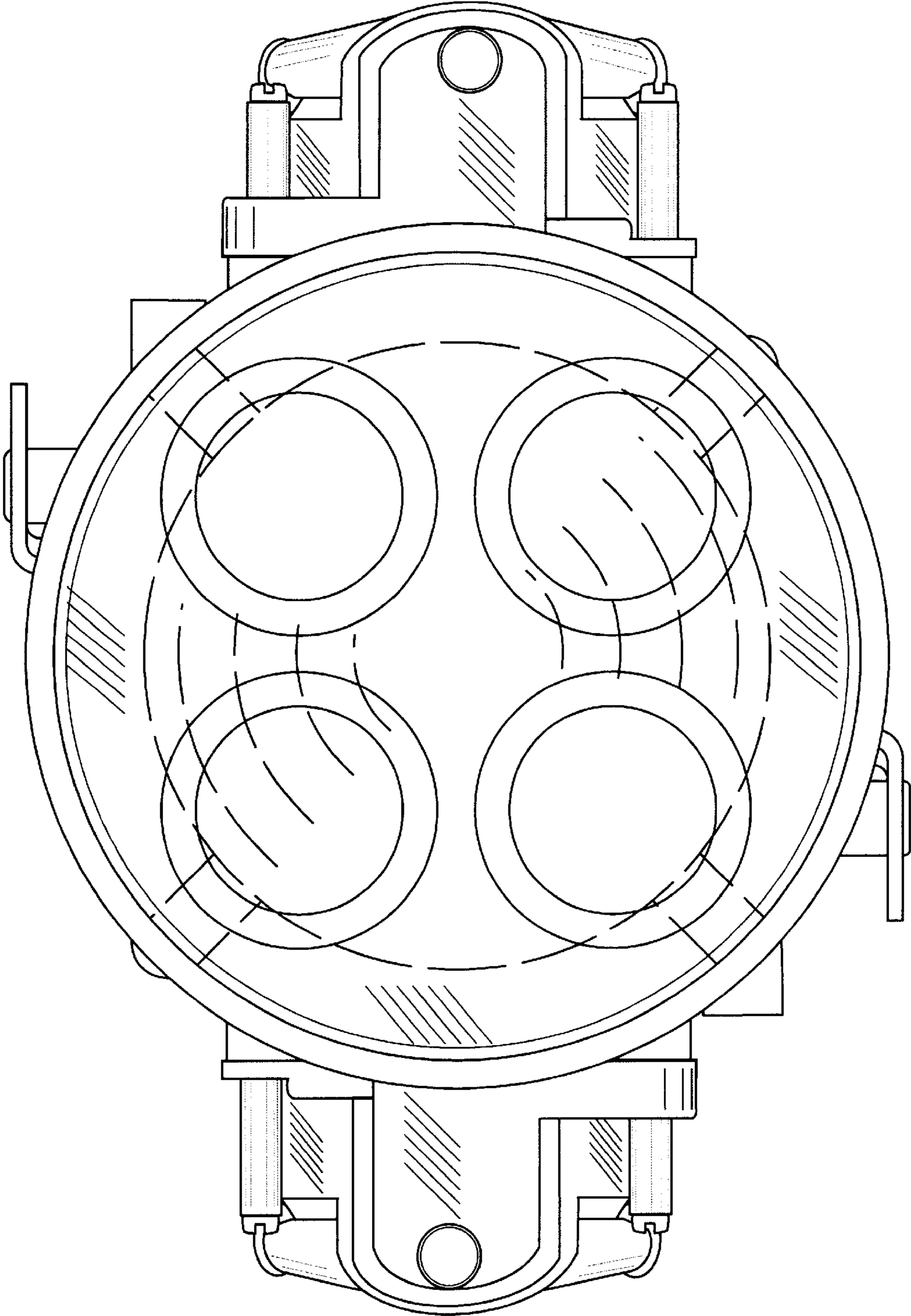


Fig. 1

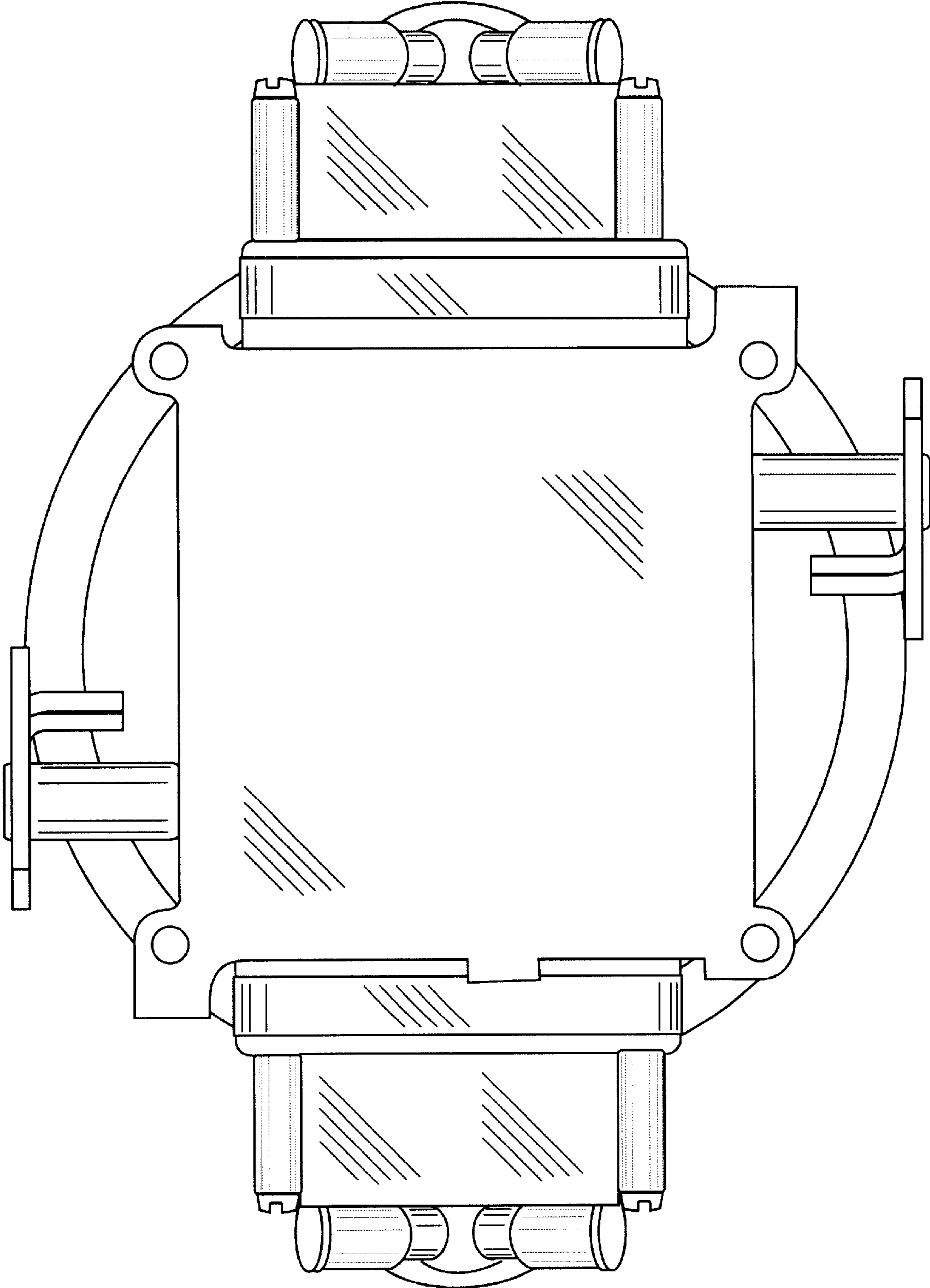


Fig. 2

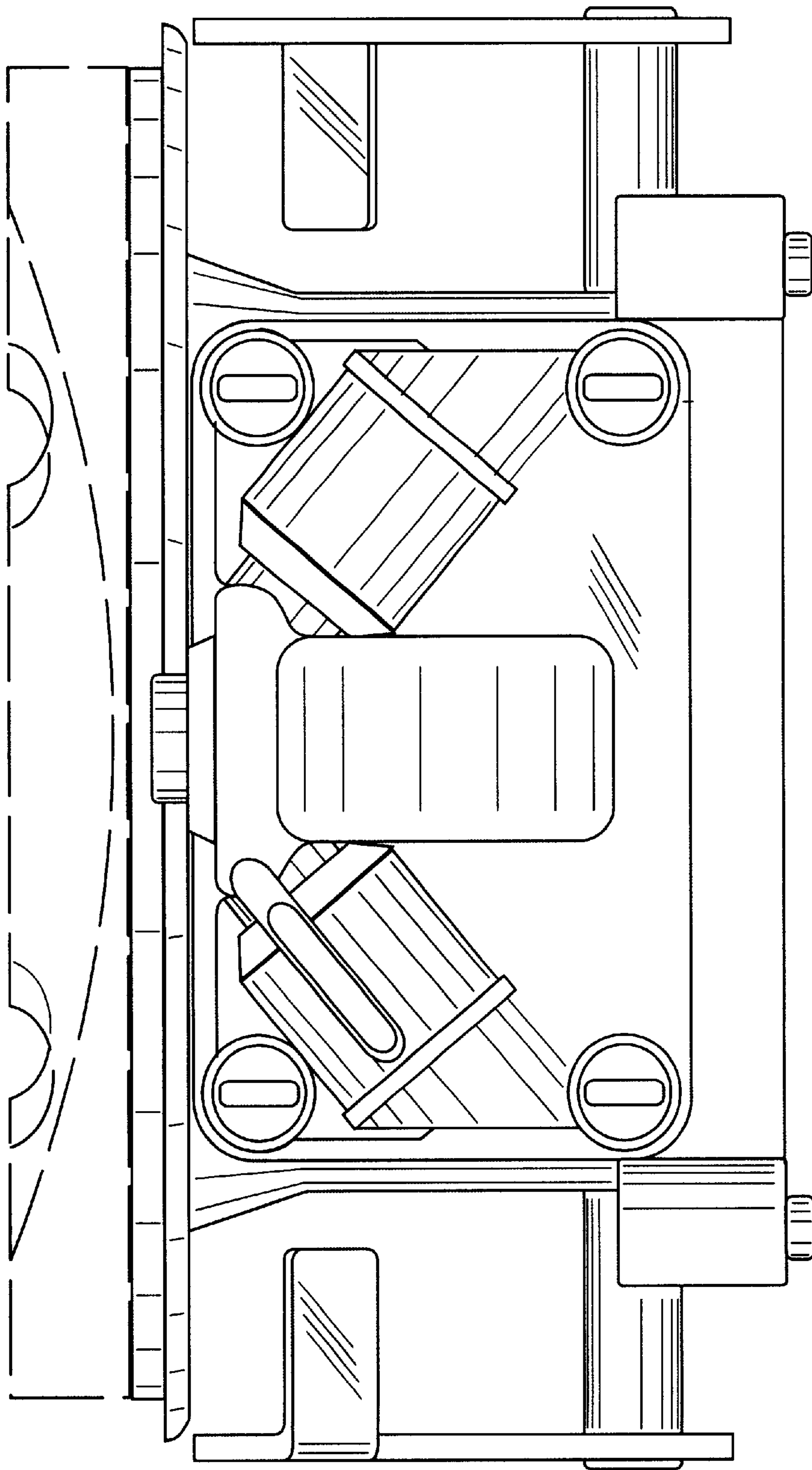


Fig. 3

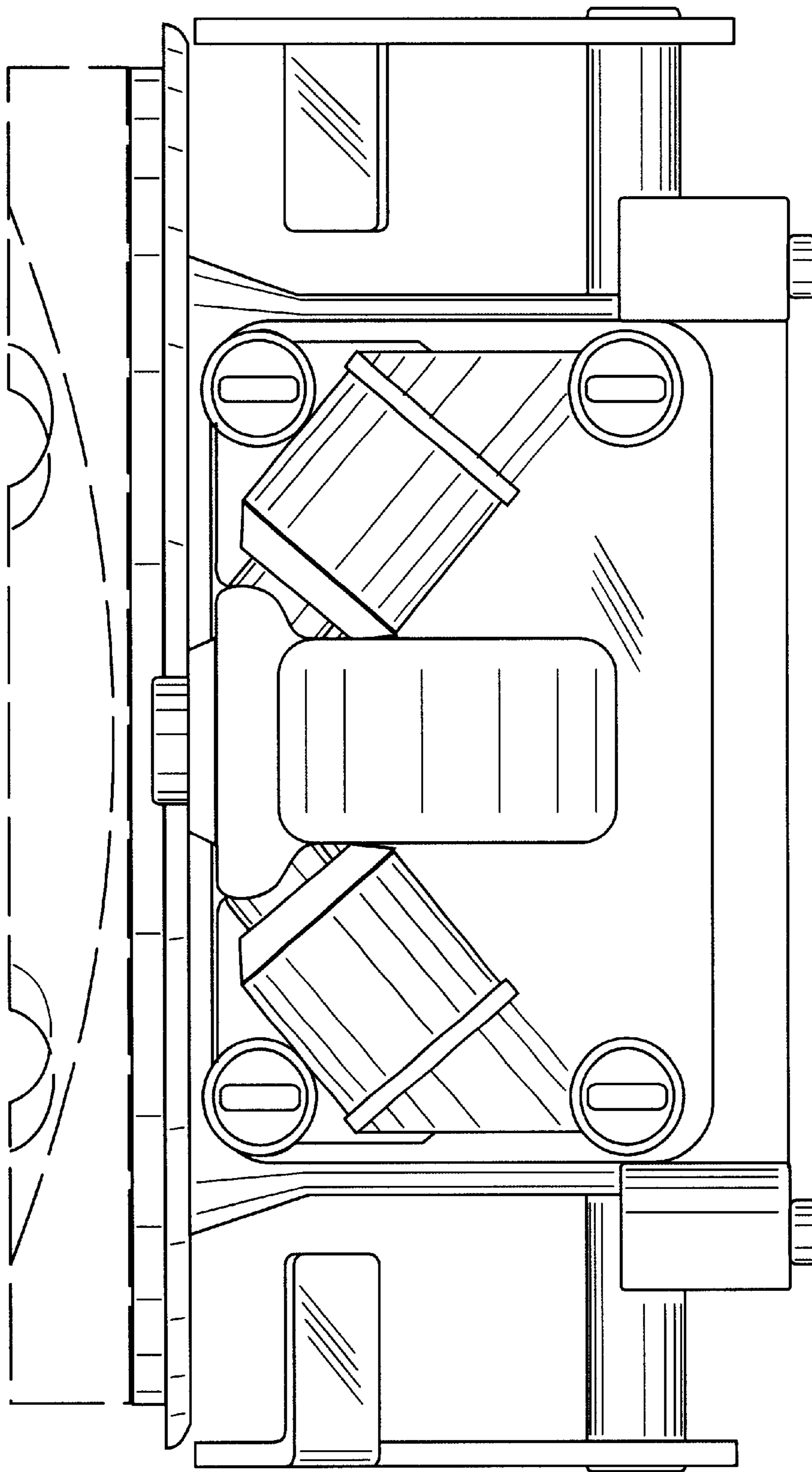


Fig. 4

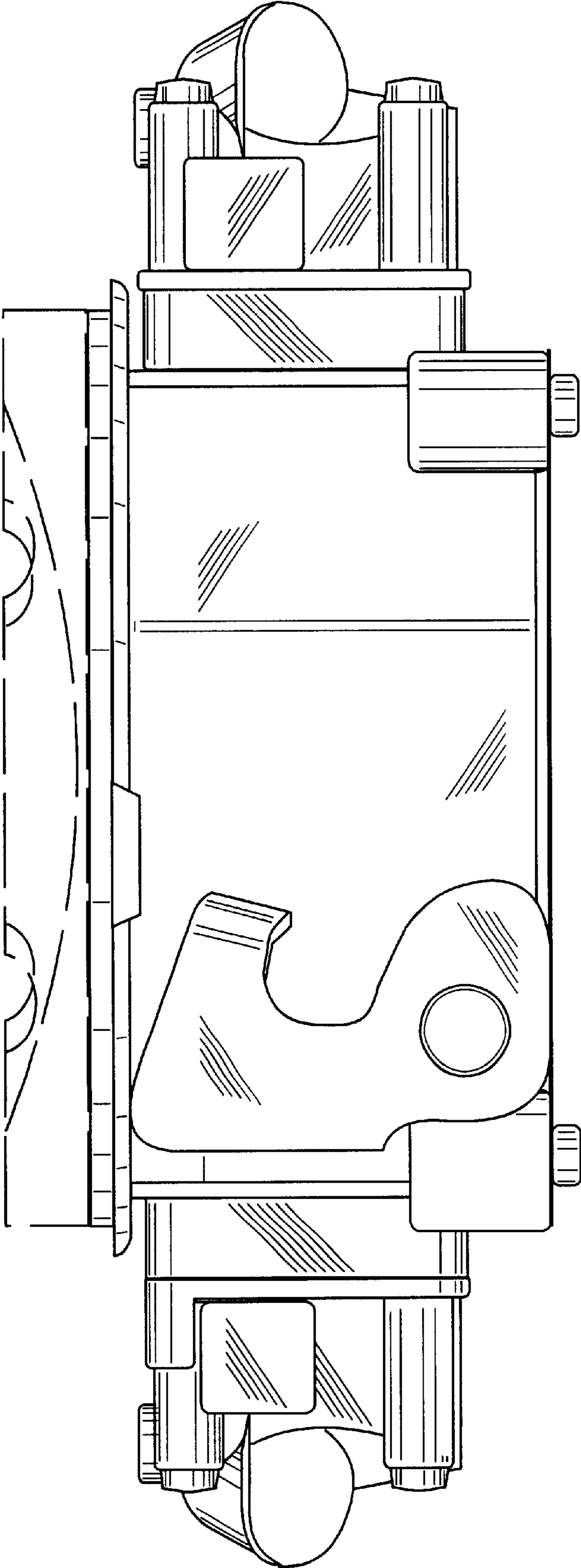


Fig. 5

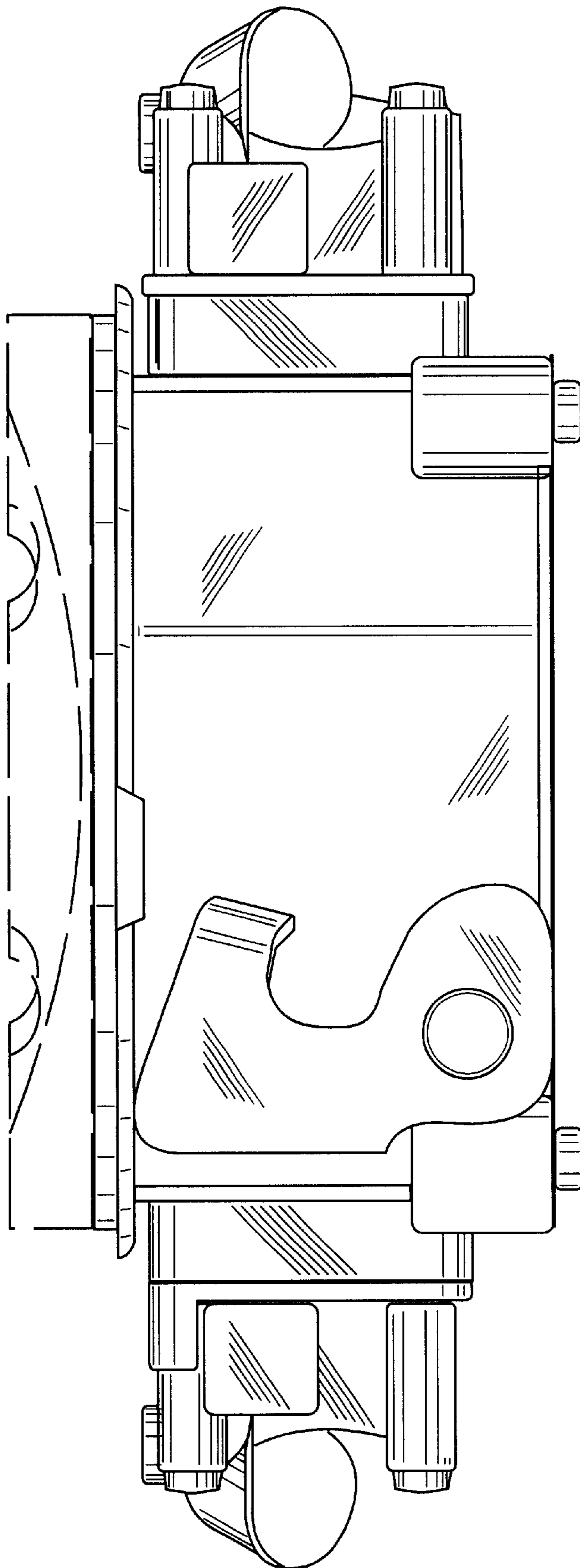


Fig. 6

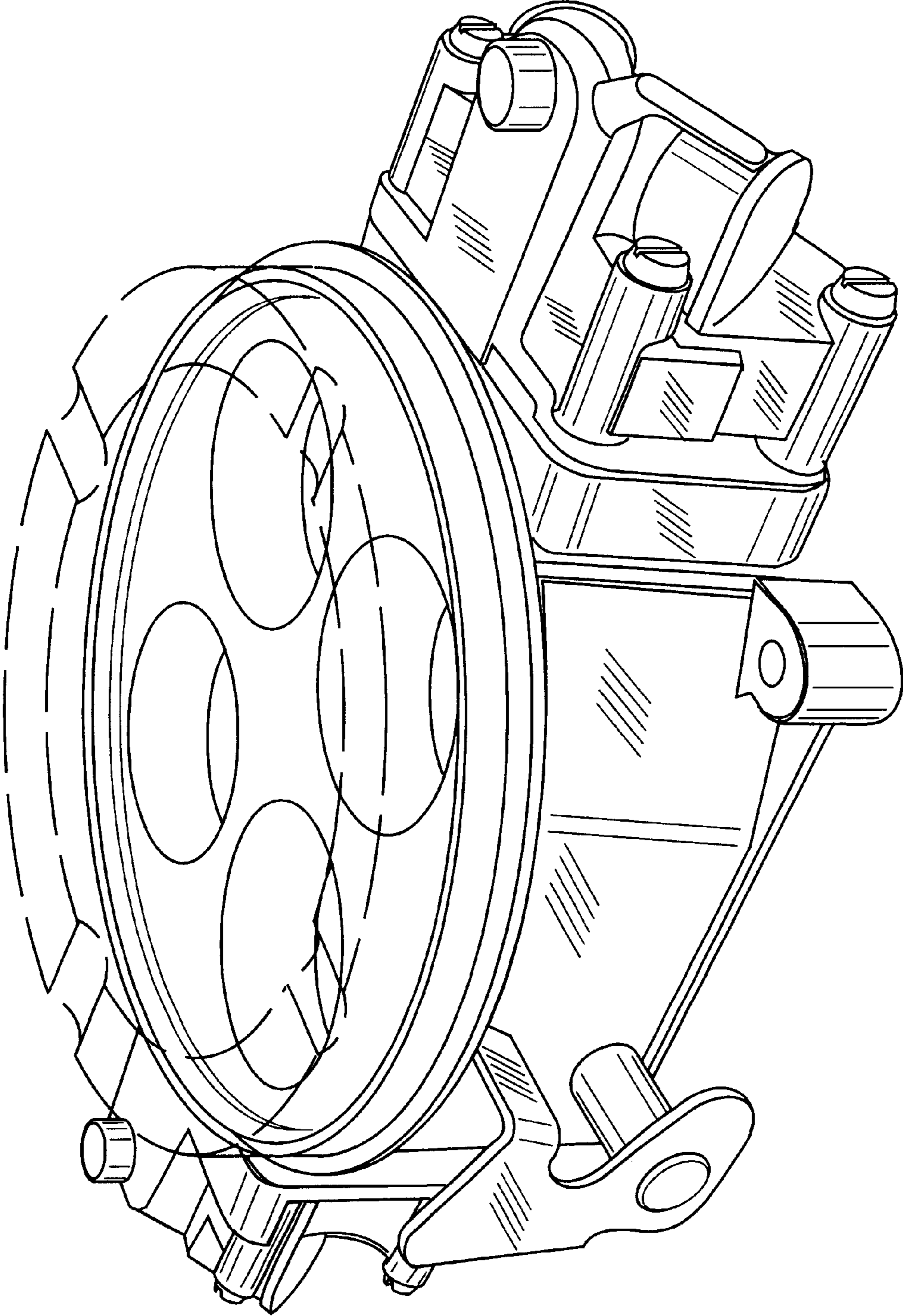


Fig. 7

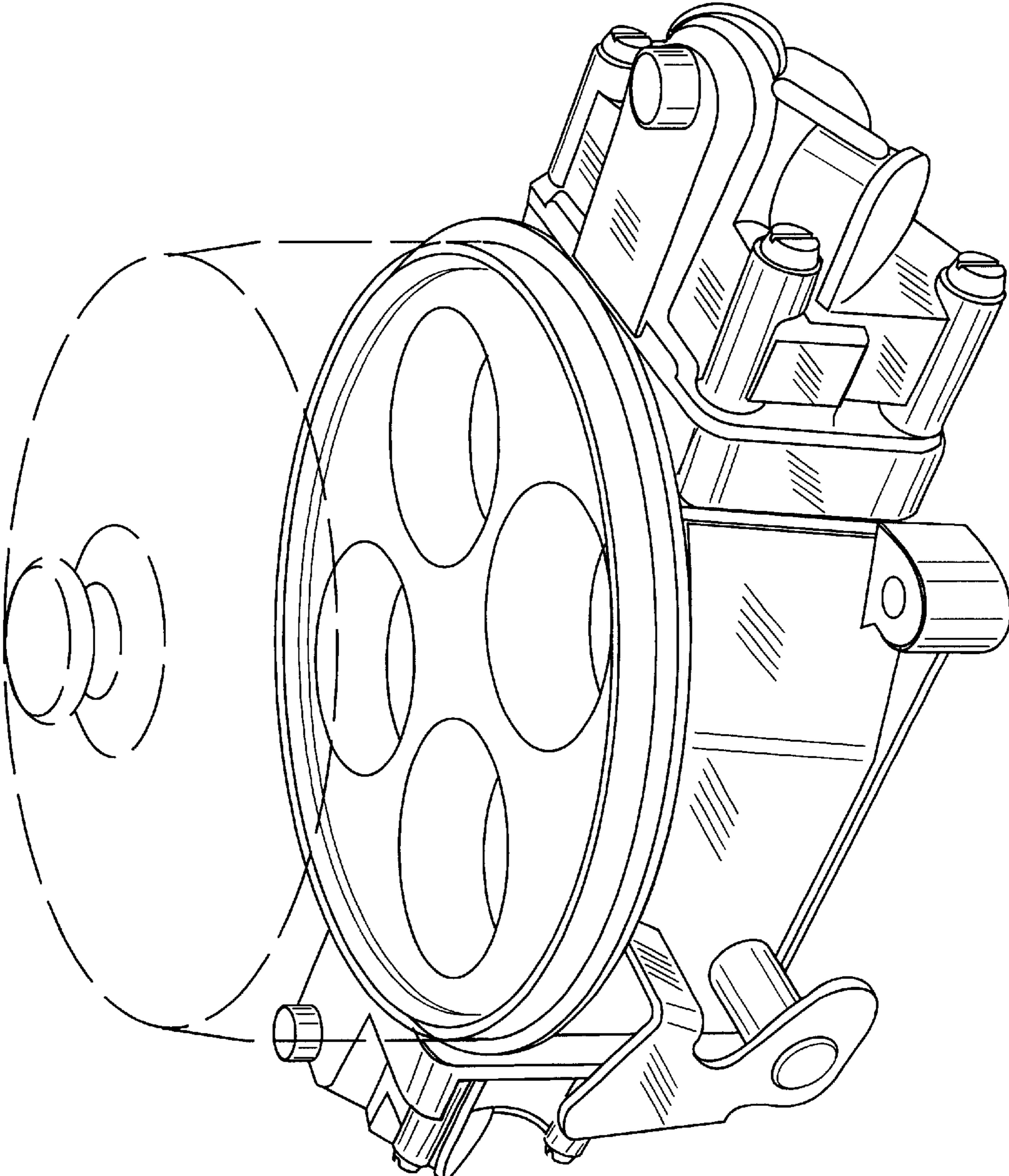


Fig. 8