



US00D517421S

(12) **United States Design Patent**
Terrasi

(10) **Patent No.:** **US D517,421 S**

(45) **Date of Patent:** **** Mar. 21, 2006**

(54) **PACKAGING FOR FOOD PRODUCTS, SUCH AS CONFECTIONERY PRODUCTS**

(75) **Inventor:** **Giuseppe Terrasi, Benevello (IT)**

(73) **Assignee:** **Soremartec, S.A., Schoppach Arlon (BE)**

(**) **Term:** **14 Years**

(21) **Appl. No.:** **29/209,878**

(22) **Filed:** **Jul. 23, 2004**

(30) **Foreign Application Priority Data**

Jan. 26, 2004 (EM) 000133251

(51) **LOC (8) Cl.** **09-01**

(52) **U.S. Cl.** **D9/643; D1/116; D1/102**

(58) **Field of Classification Search** D1/101-102, D1/106, 116, 118; D7/613, 619.2, 628; D23/7; 426/104; 206/457; 215/379-385, 400

See application file for complete search history.

(56) **References Cited**

U.S. PATENT DOCUMENTS

D241,184 S * 8/1976 French D1/106

D246,509 S * 11/1977 Hytken D9/643
D348,181 S * 6/1994 Lambert et al. D7/613
D395,230 S * 6/1998 Slater D9/643
D438,795 S * 3/2001 Terrasi D9/643
D485,167 S * 1/2004 Chan D9/643
D490,588 S * 6/2004 Baker D1/116

* cited by examiner

Primary Examiner—Sandra L. Morris

(74) *Attorney, Agent, or Firm*—Rothwell, Figg, Ernst & Manbeck

(57) **CLAIM**

The ornamental design for a packaging for food products, such as confectionery products, as shown and described.

DESCRIPTION

FIG. 1 is a perspective view of the packaging for food products showing my new design; FIG. 2 is a front view thereof; FIG. 3 is a right view thereof; FIG. 4 is a left view thereof; FIG. 5 is a rear view thereof; FIG. 6 is a top view thereof; and, FIG. 7 is a bottom view thereof.

1 Claim, 2 Drawing Sheets

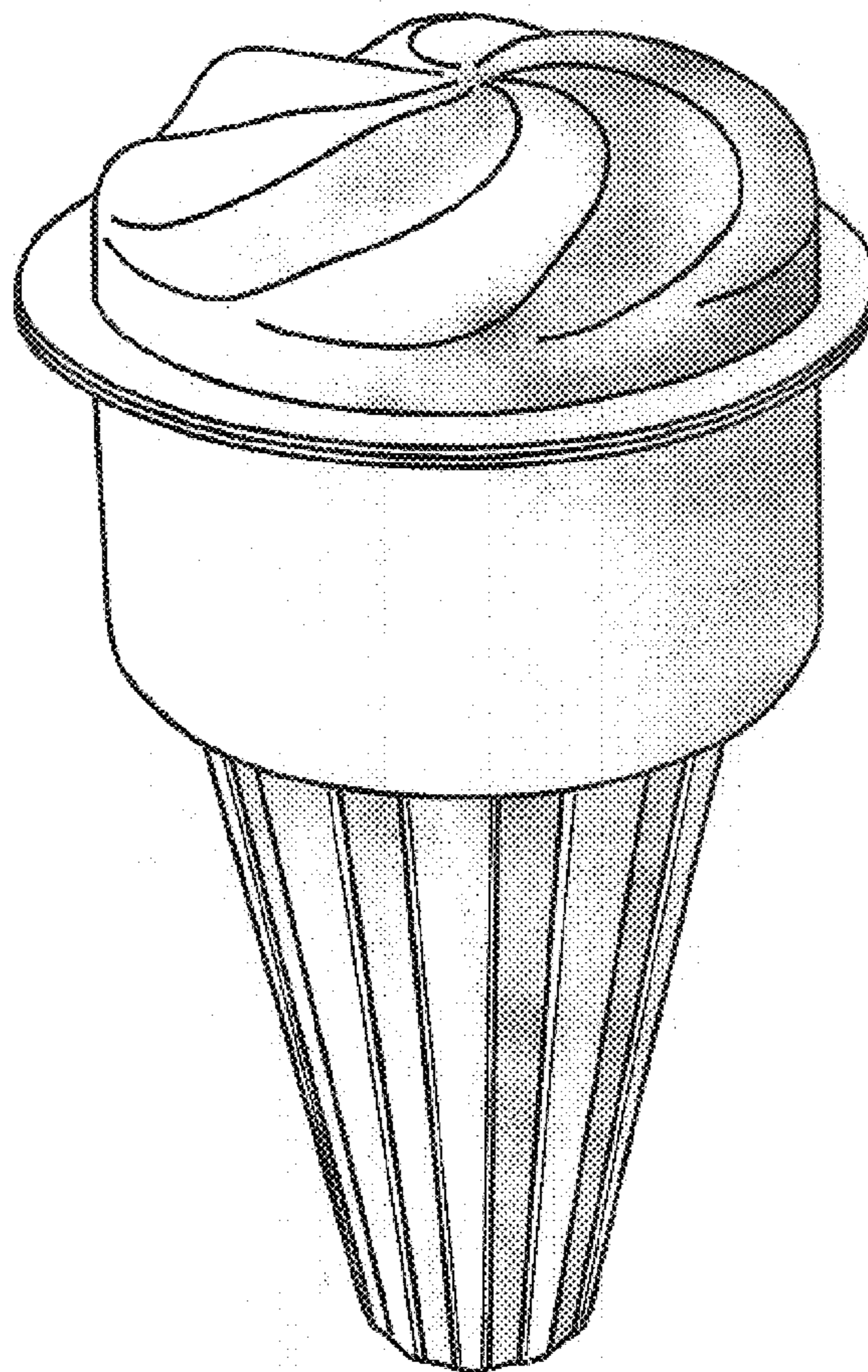


Fig.1

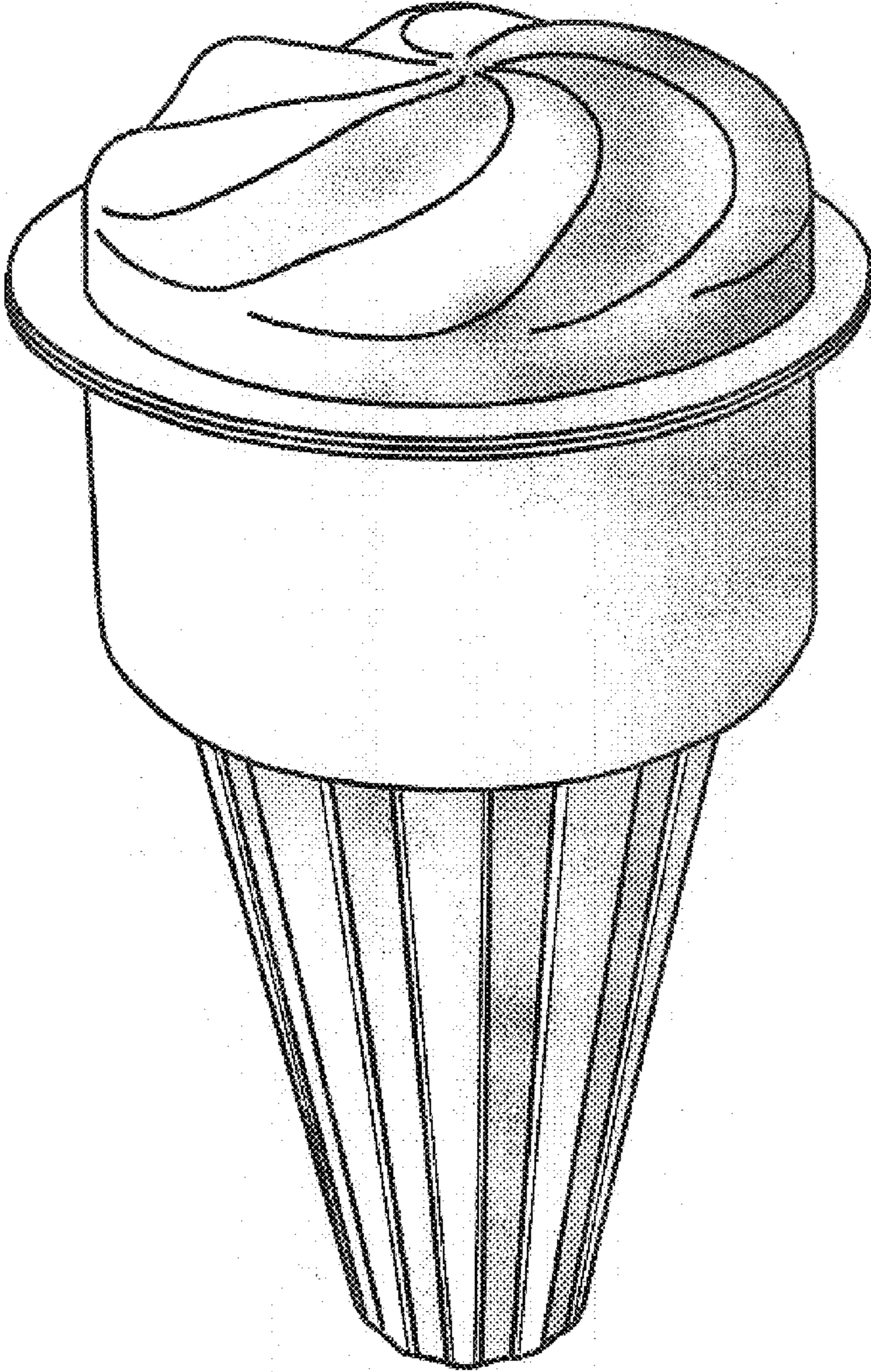


Fig.2

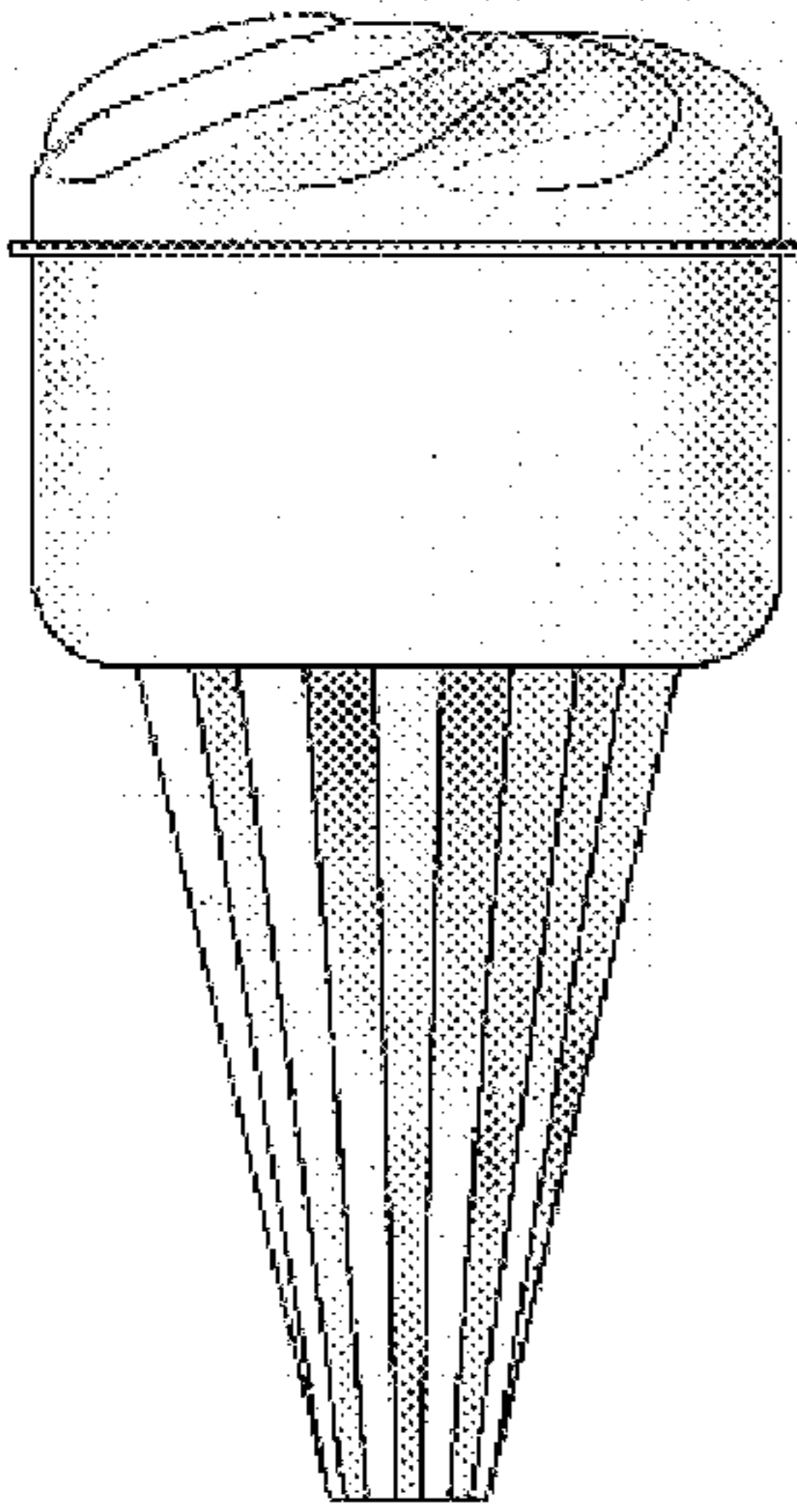


Fig.3

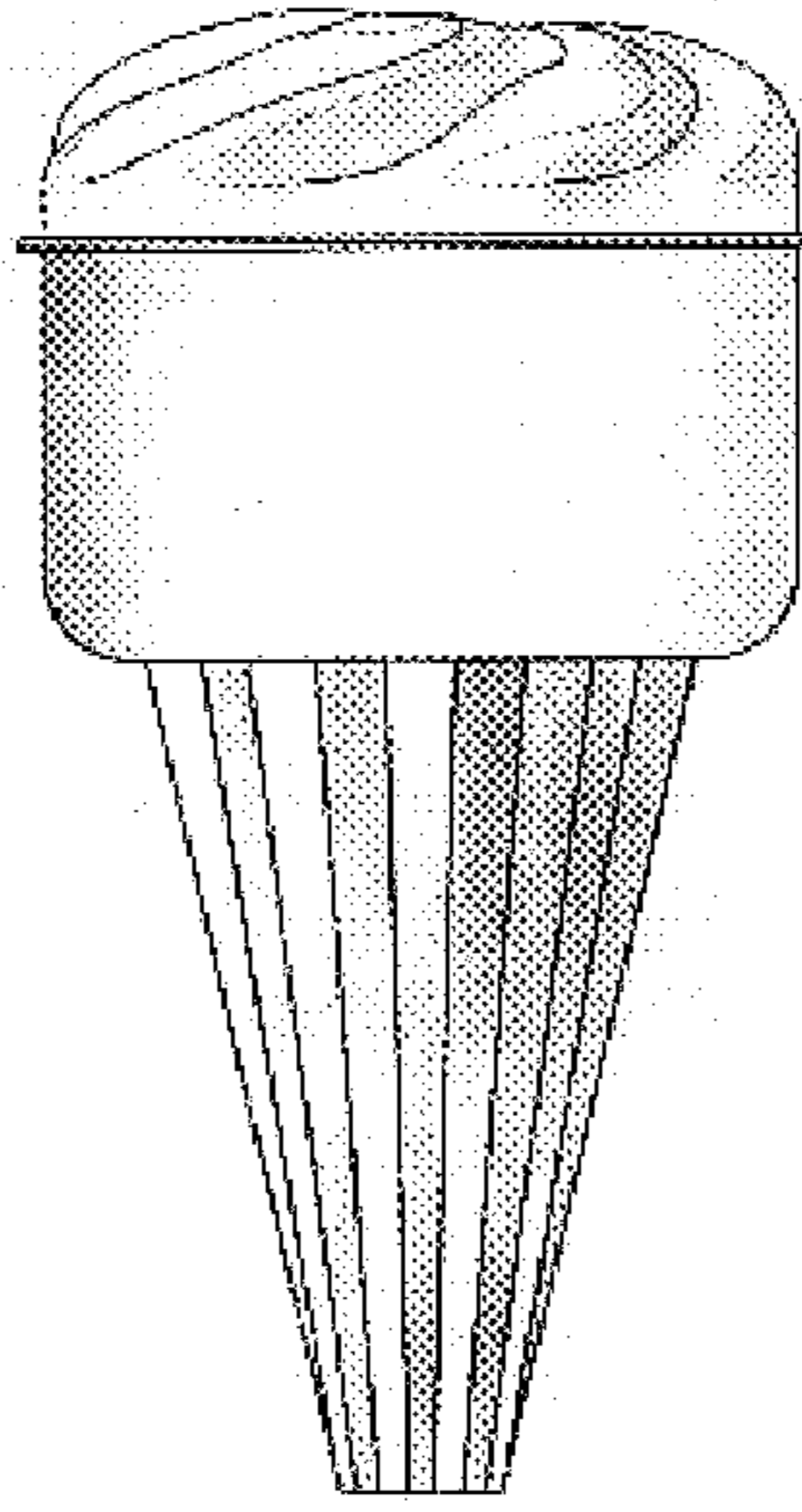


Fig.4

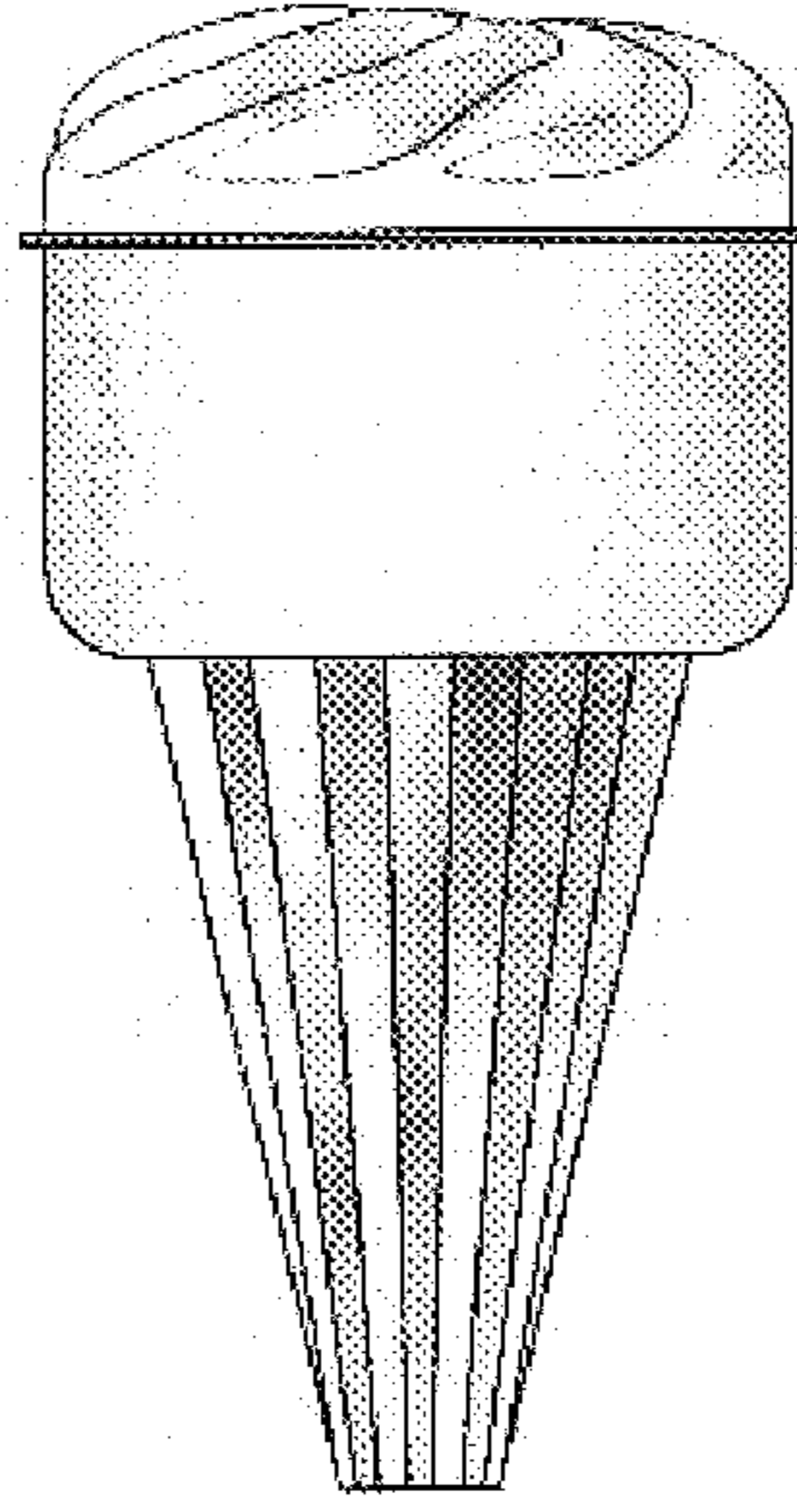


Fig.5

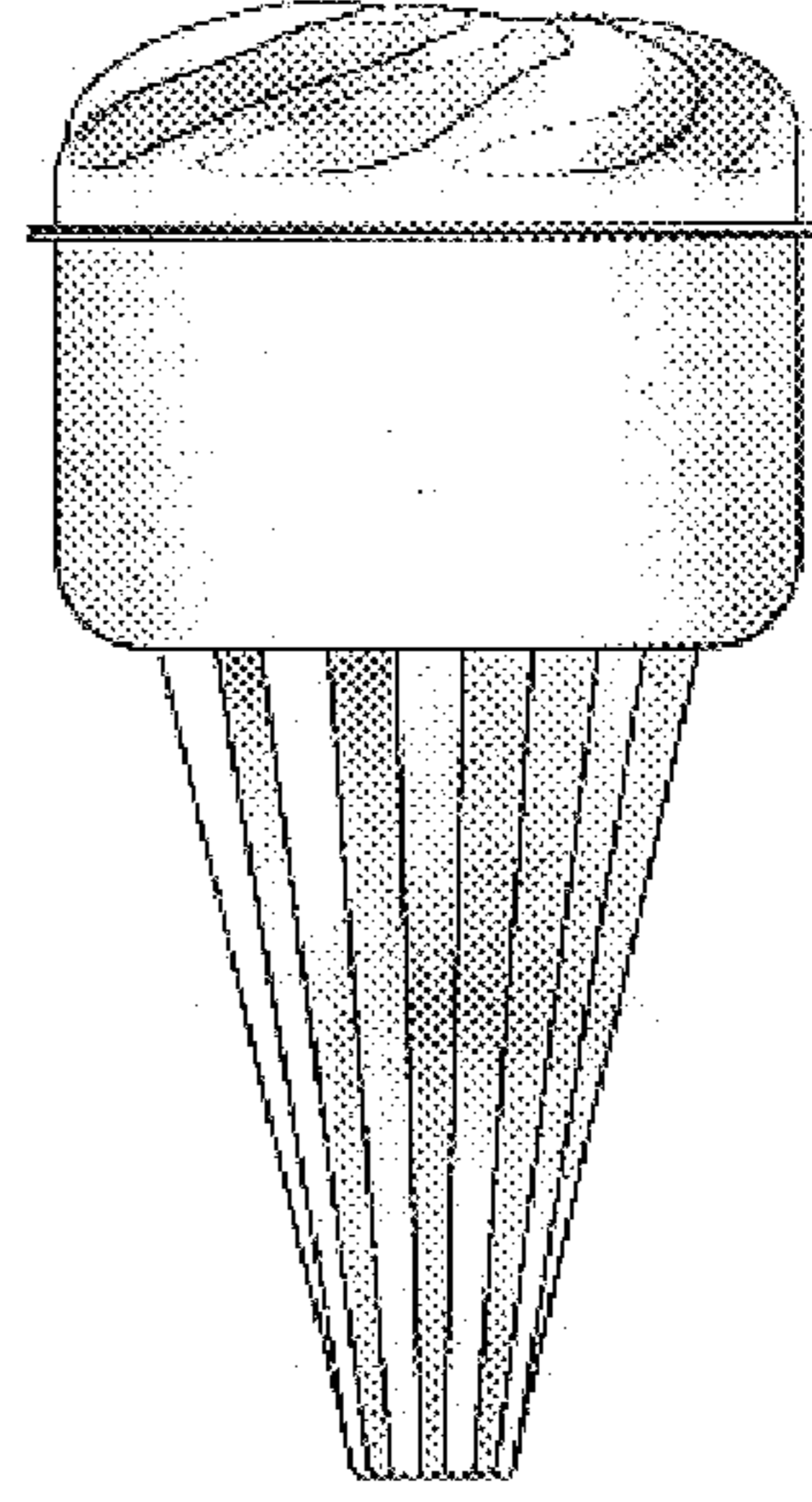


Fig.7

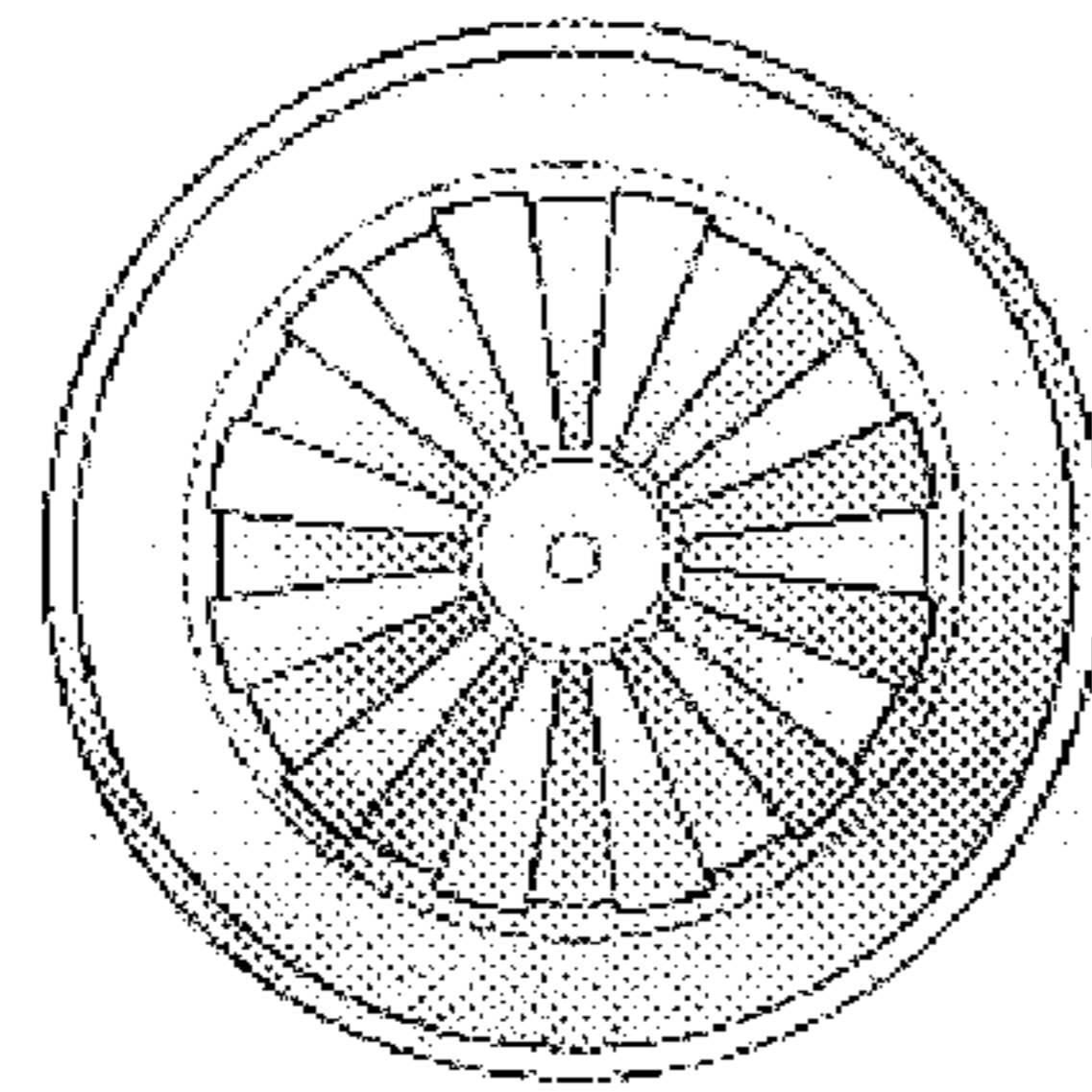
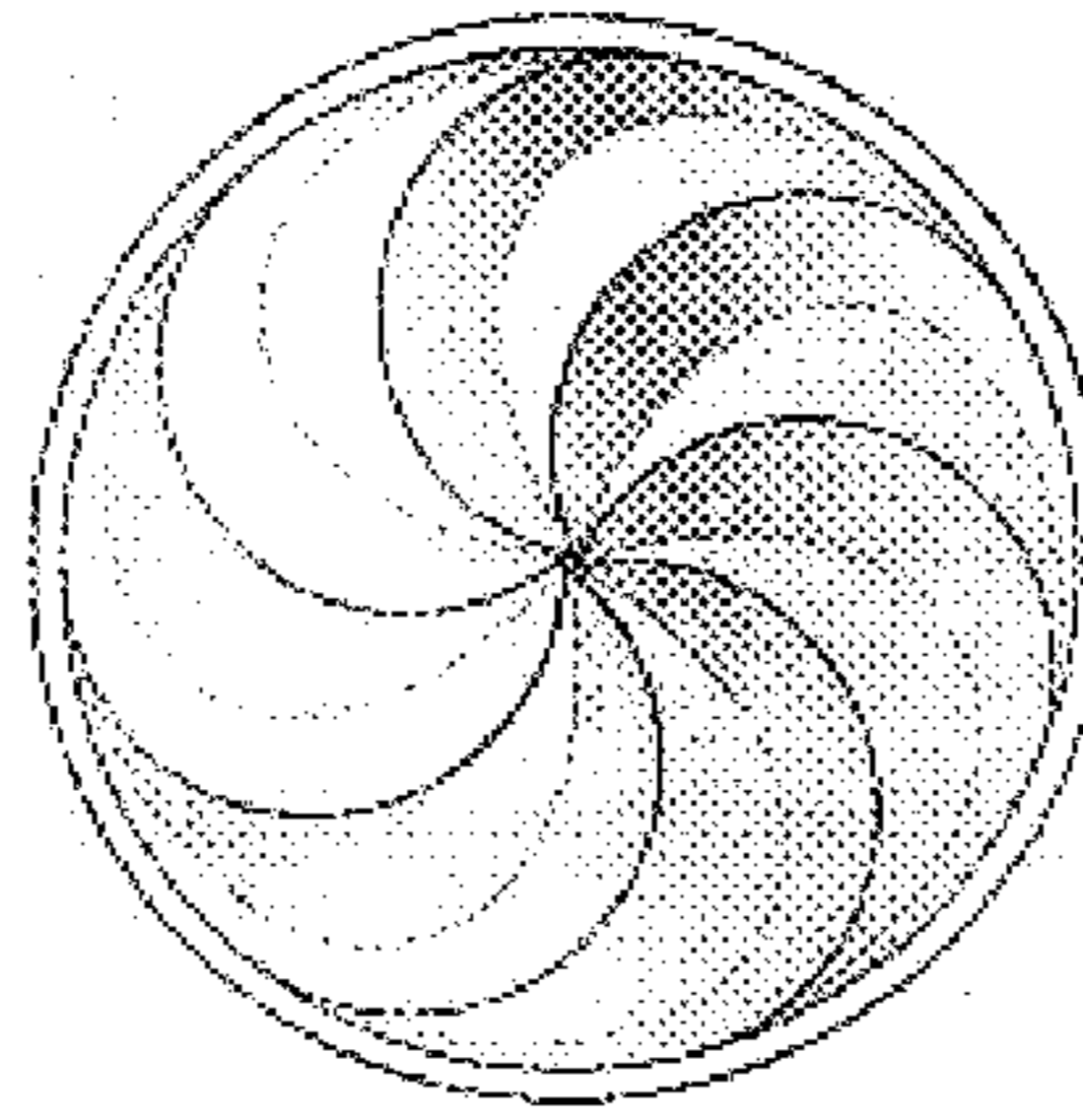


Fig.6



UNITED STATES PATENT AND TRADEMARK OFFICE
CERTIFICATE OF CORRECTION

PATENT NO. : Des. 517,421 S
APPLICATION NO. : 29/209878
DATED : March 21, 2006
INVENTOR(S) : Terrasi

Page 1 of 6

It is certified that error appears in the above-identified patent and that said Letters Patent is hereby corrected as shown below:

The title page, showing an illustrative figure, should be deleted and substitute therefor the attach title page

Delete Drawing sheets 1-2 and substitute therefor the Drawing sheets, consisting of Fig 1-7 as shown on the attached pages.

Signed and Sealed this

Sixth Day of March, 2007

A handwritten signature in black ink on a light gray dotted background. The signature reads "Jon W. Dudas" in a cursive style.

JON W. DUDAS

Director of the United States Patent and Trademark Office

(12) **United States Design Patent**
Terrasi

(10) Patent No.: **US D517,421 S**
(45) Date of Patent: **** Mar. 21, 2006**

(54) **PACKAGING FOR FOOD PRODUCTS, SUCH AS CONFECTIONERY PRODUCTS**

(75) Inventor: **Giuseppe Terrasi, Benevento (IT)**

(73) Assignee: **Soremartec, S.A., Schoppach Arlon (BE)**

(**) Term: **14 Years**

(21) Appl. No.: **29/209,878**

(22) Filed: **Jul. 23, 2004**

(30) **Foreign Application Priority Data**

Jan. 26, 2004 (EM) 000133251

(51) LOC (9) Cl. **09-01**

(52) U.S. Cl. **D9/643; D1/116; D1/102**

(58) Field of Classification Search **D1/101-102, D1/106, 116, 118; D7/613, 619.2, 628; D23/7; 426/104; 206/457; 215/379-385, 400**
See application file for complete search history.

(56) **References Cited**

U.S. PATENT DOCUMENTS

D241,184 S * 8/1976 French D1/106

D246,509 S * 11/1977 Hyden D9/643
D348,181 S * 6/1994 Lambert et al. D7/613
D395,230 S * 6/1998 Slater D9/643
D438,795 S * 3/2001 Terrasi D9/643
D485,167 S * 1/2004 Chen D9/643
D490,588 S * 6/2004 Baker D1/116

* cited by examiner

Primary Examiner—**Sandra L. Morris**

(74) Attorney, Agent, or Firm—**Rothwell, Figg, Ernst & Manbeck**

(57) **CLAIM**

The ornamental design for a packaging for food products, such as confectionery products, as shown and described.

DESCRIPTION

FIG. 1 is a perspective view of the packaging for food products showing my new design;
FIG. 2 is a front view thereof;
FIG. 3 is a right view thereof;
FIG. 4 is a left view thereof;
FIG. 5 is a rear view thereof;
FIG. 6 is a top view thereof; and,
FIG. 7 is a bottom view thereof.

1 Claim, 2 Drawing Sheets

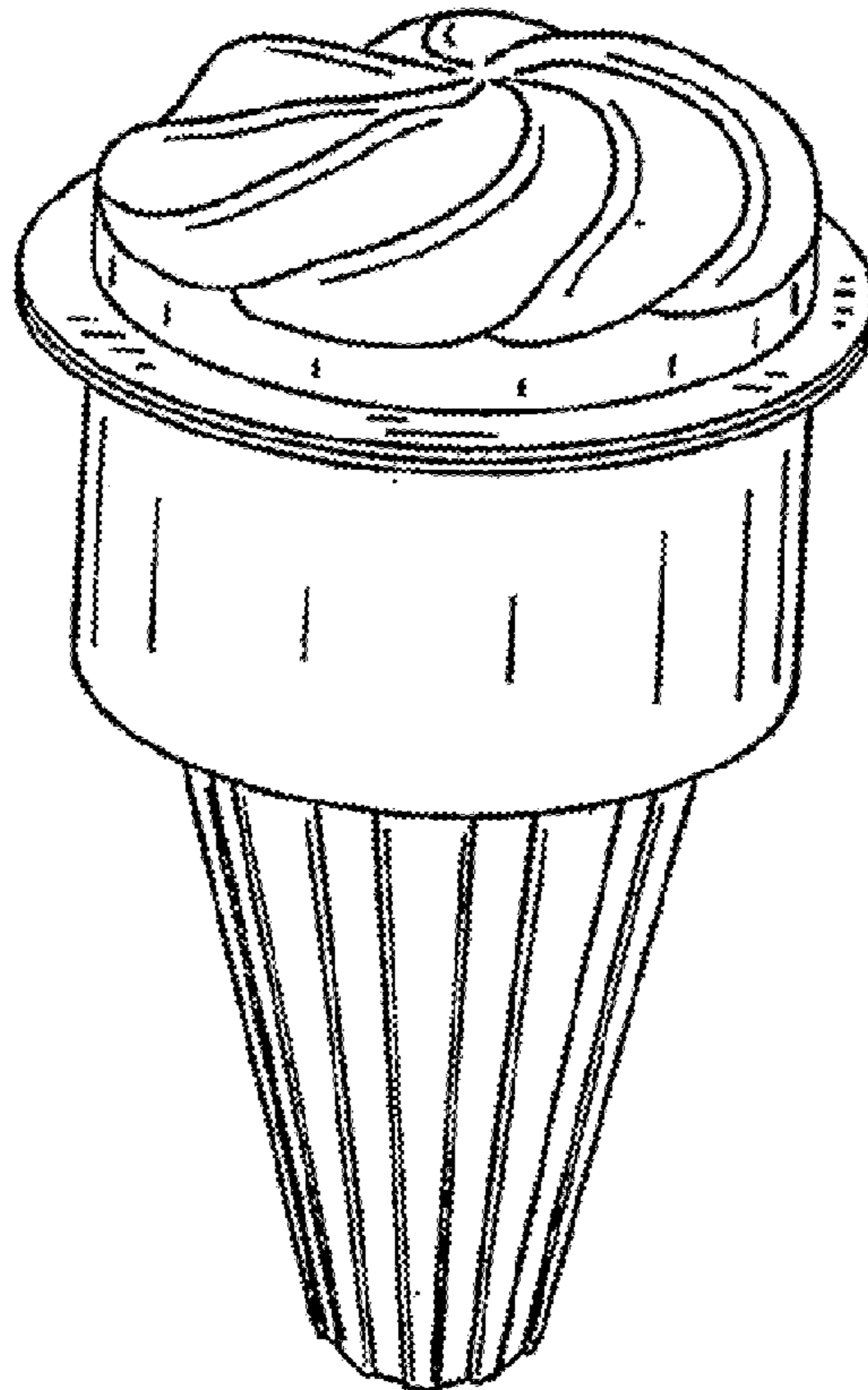


FIG. 1

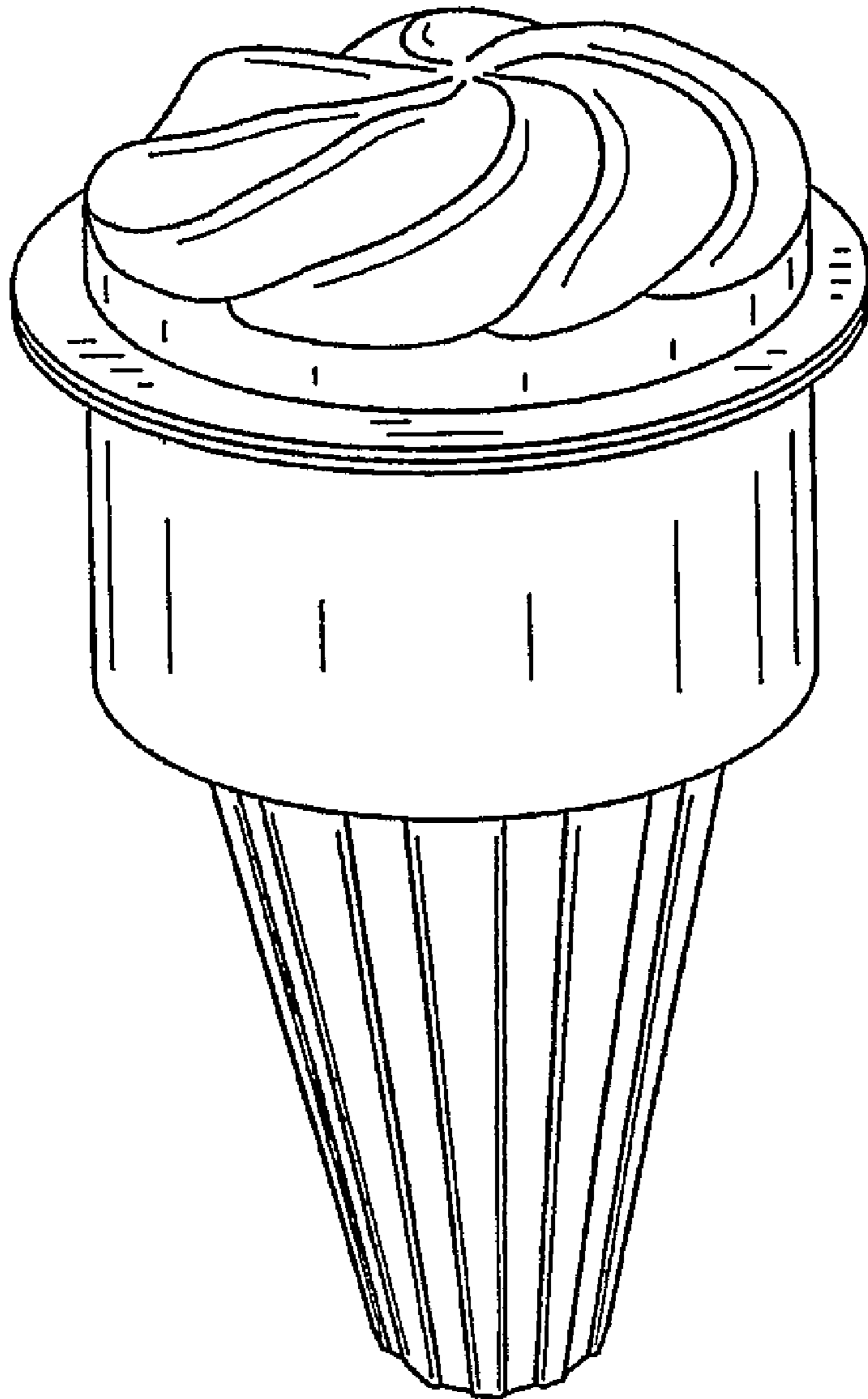


FIG. 3

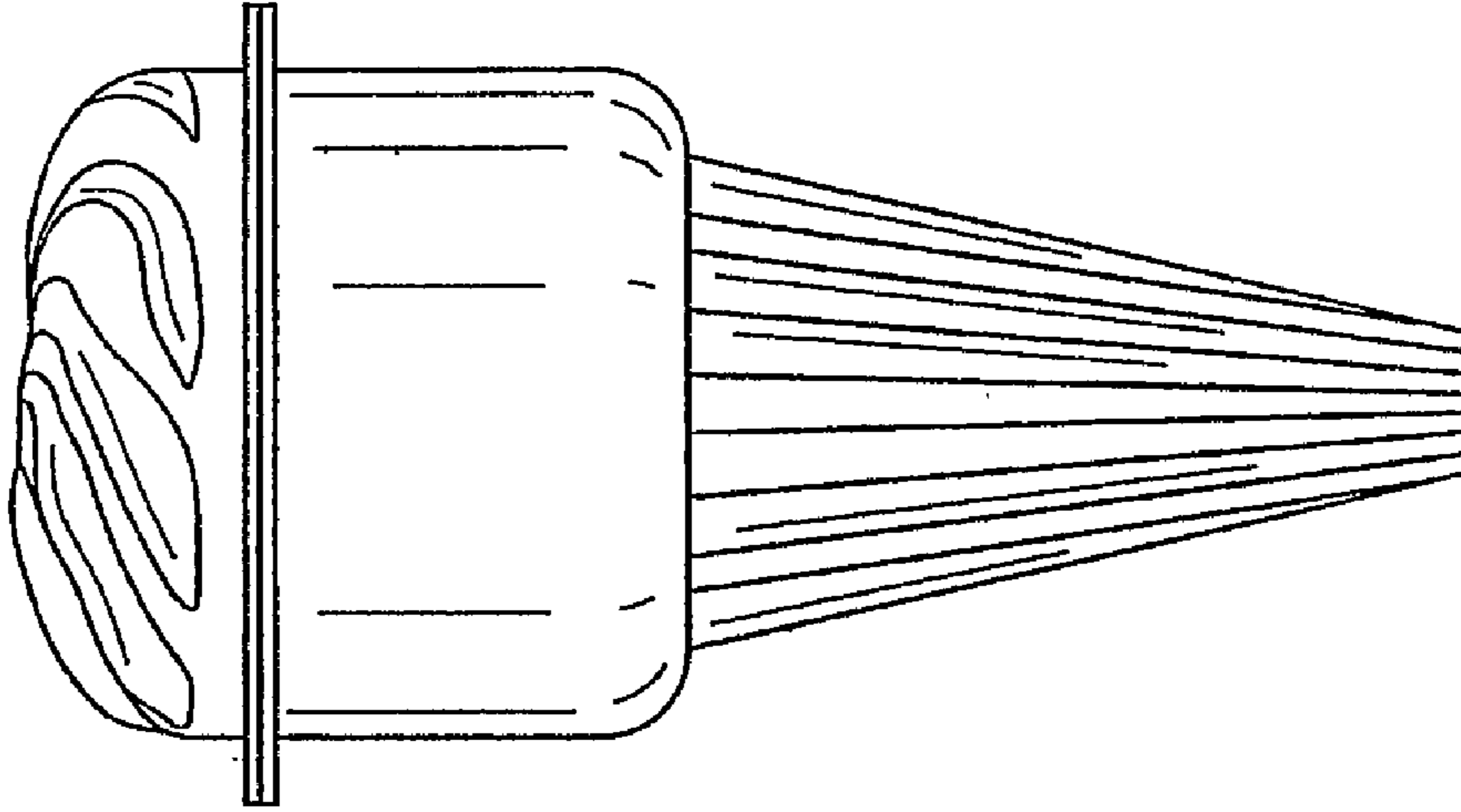


FIG. 2

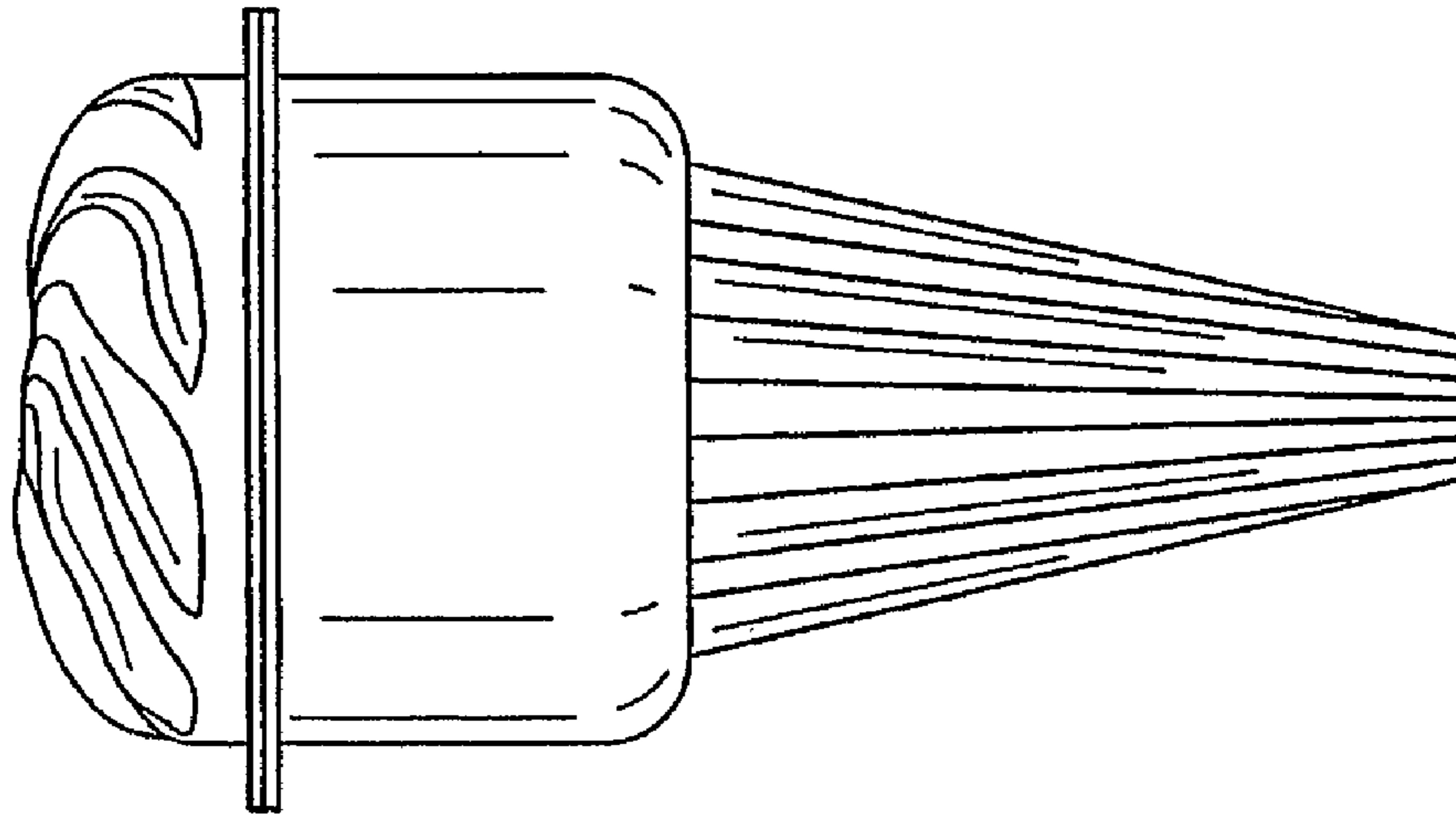


FIG. 5

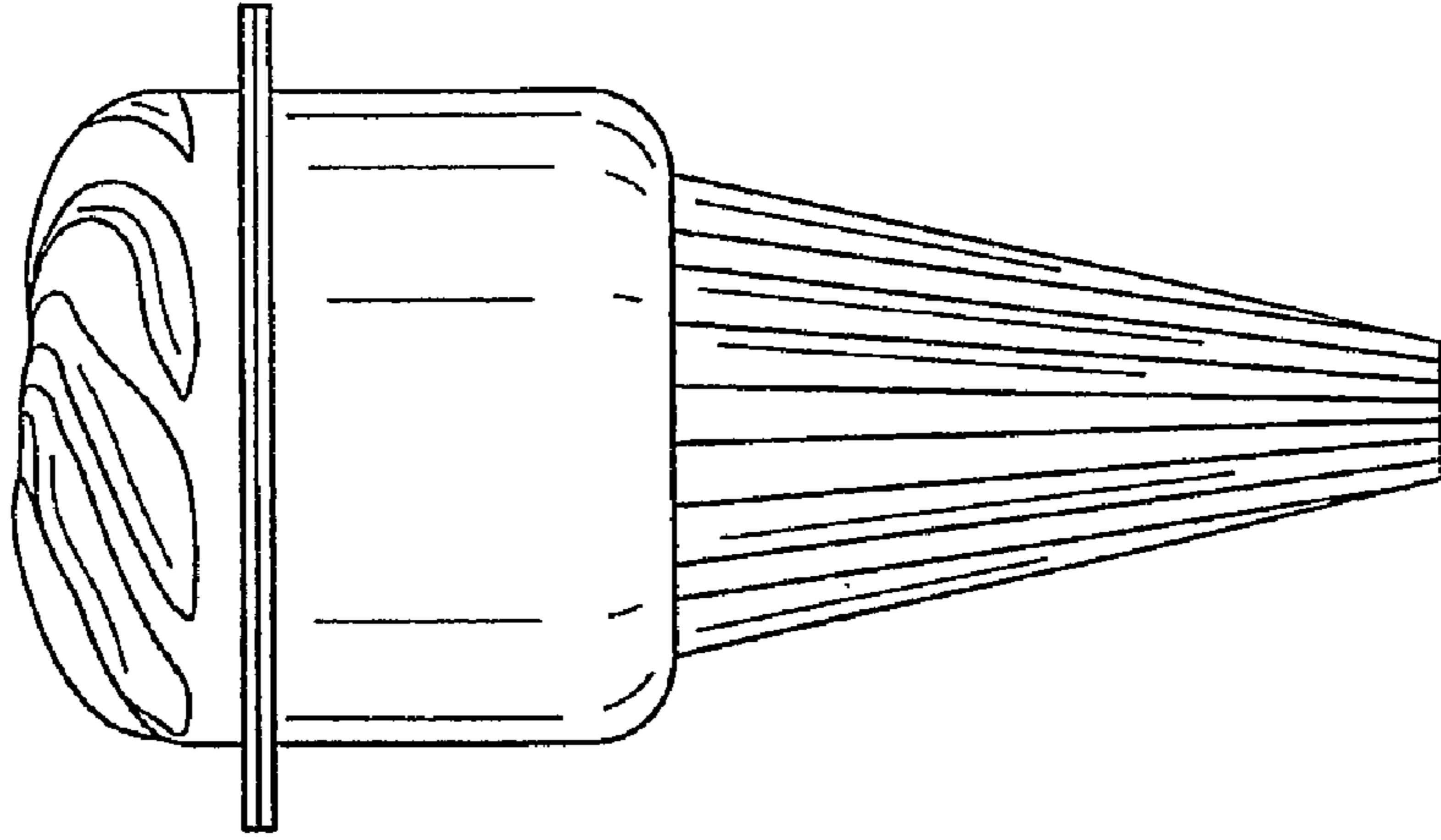


FIG. 4

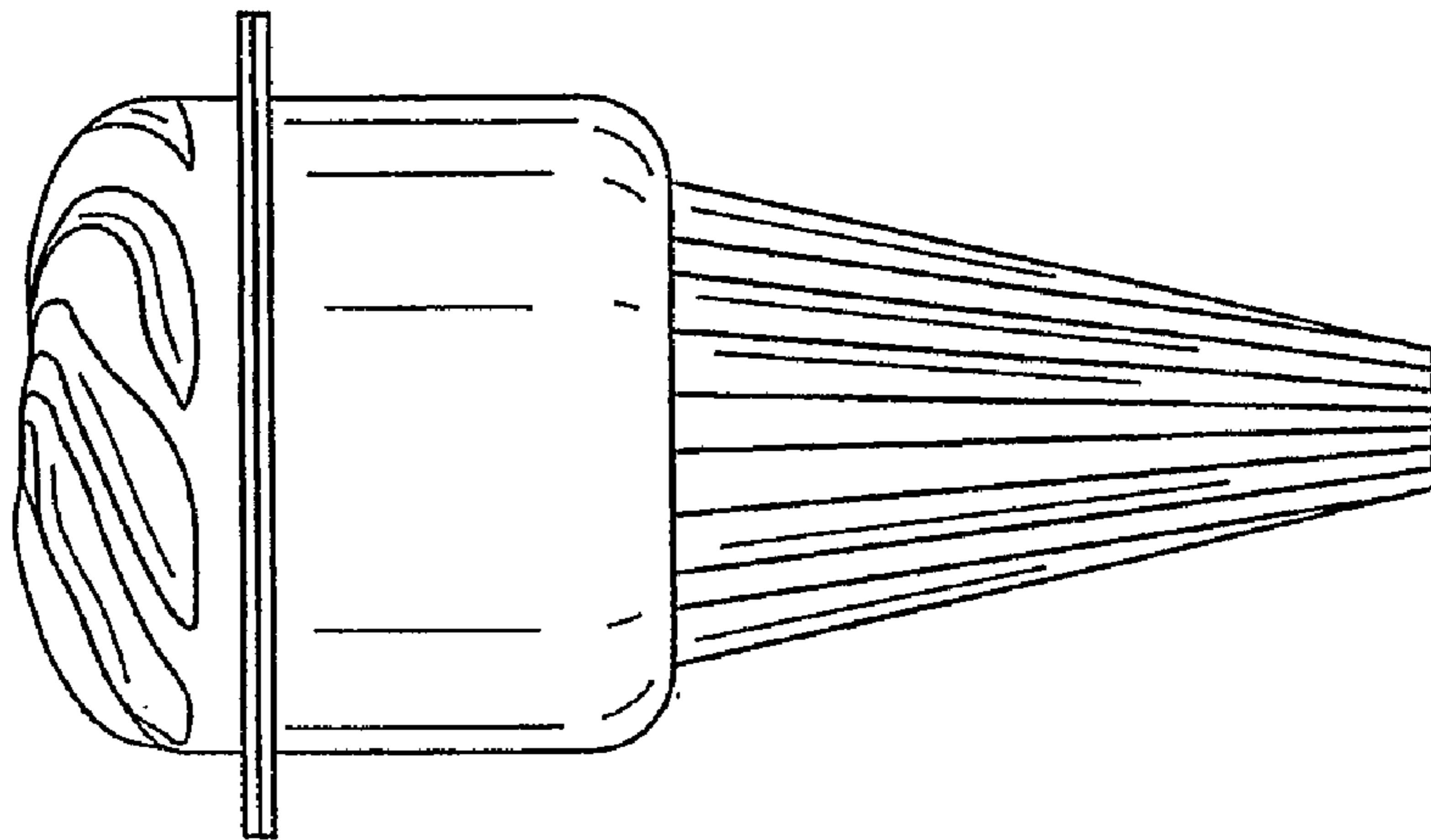


FIG. 7

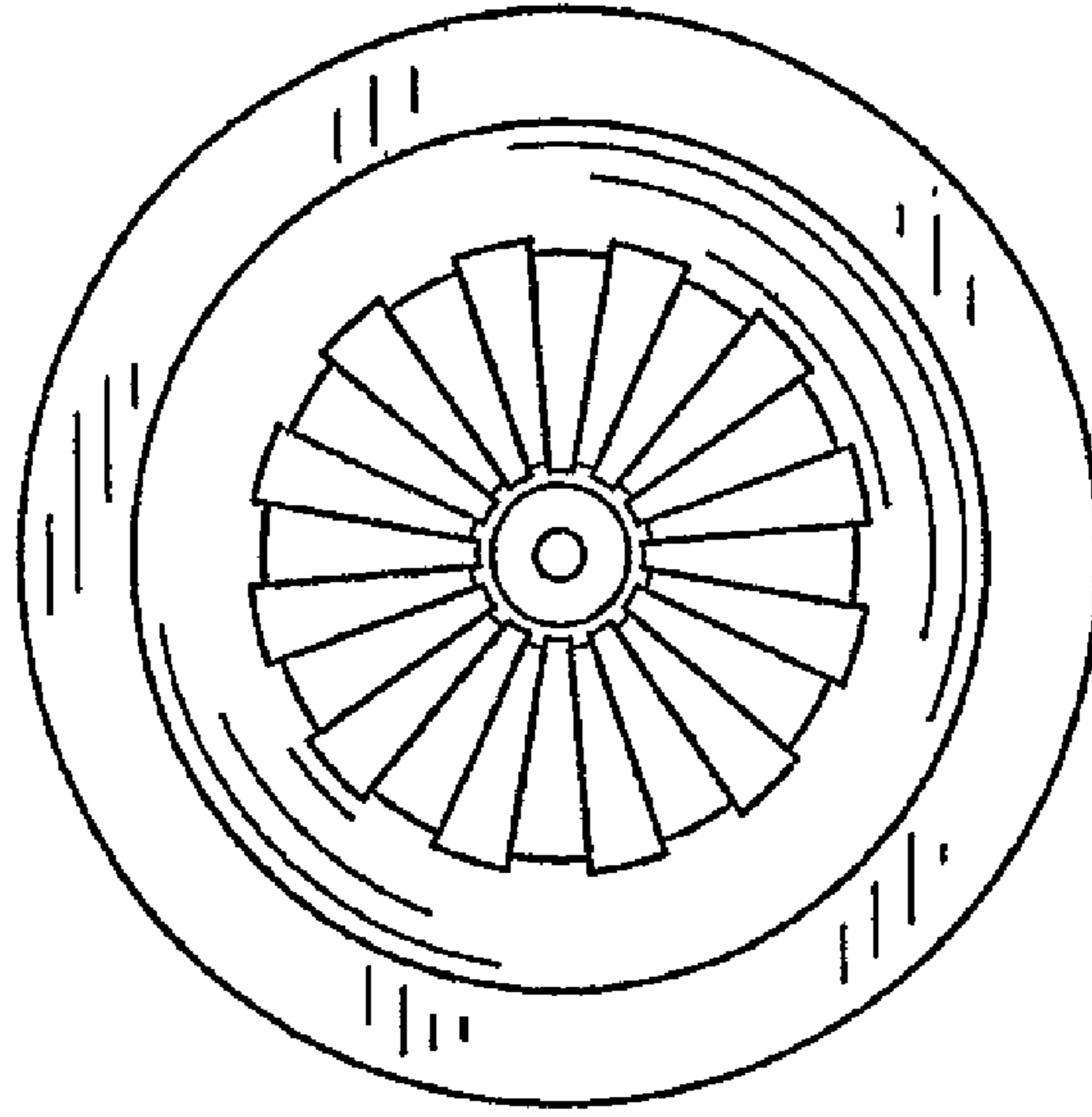


FIG. 6

