



US00D517419S

(12) **United States Design Patent**
Kelleghan

(10) **Patent No.:** **US D517,419 S**
(45) **Date of Patent:** **** Mar. 21, 2006**

(54) **TIKI BOTTLE**

D488,974 S 4/2004 Kelleghan

(75) **Inventor:** **Brian James Kelleghan**, Longmont,
CO (US)

(73) **Assignee:** **Bison Designs, LLC**, Longmont, CO
(US)

(**) **Term:** **14 Years**

(21) **Appl. No.:** **29/204,238**

(22) **Filed:** **Apr. 26, 2004**

(51) **LOC (8) Cl.** **09-01**

(52) **U.S. Cl.** **D9/616; D9/620; D7/517**

(58) **Field of Classification Search** D7/514–518,
D7/571, 619.2, 628; D9/600, 614, 616, 620,
D9/625, 626, 628; D11/157–158, 160; D21/623,
D21/630, 639, 659–660; 206/457; 215/379–385,
215/400

See application file for complete search history.

(56) **References Cited**

U.S. PATENT DOCUMENTS

D116,573 S	*	9/1939	Oya	D9/620
D188,353 S	*	7/1960	Merrill	D9/620
D195,902 S	*	8/1963	Kocab	D9/616
D267,232 S	*	12/1982	Balich	D9/616
D442,642 S	*	5/2001	Gaylord et al.	D21/389
D468,967 S	*	1/2003	Lipson	D7/515

OTHER PUBLICATIONS

U.S. Appl. No. 29/200,637, Kelleghan, filed Mar. 2, 2004.
Copy of Island Fun Air Freshner. Medo Industries, Inc., Div.
of Pennzoil–Quaker State Company, Houston, TX 77002.

* cited by examiner

Primary Examiner—Sandra L. Morris

(74) *Attorney, Agent, or Firm*—Margaret Polson; Patent
Law Offices of Rick Martin, PC

(57) **CLAIM**

The ornamental design for a tiki bottle, as shown and
described.

DESCRIPTION

FIG. 1 is a front side elevation view of my new design for
an tiki bottle with a lid attached, the lid is shown in dotted
lines which is for illustrative purposes only and is not part
of the claimed design.

FIG. 2 is rear side elevation view of FIG. 1.

FIG. 3 is a front perspective view of FIG. 1.

FIG. 4 is a top plan view of FIG. 1.

FIG. 5 is a bottom plan view of FIG. 1.

FIG. 6 is a right side elevation view of FIG. 1; and,

FIG. 7 is a left side elevation view of FIG. 1.

1 Claim, 2 Drawing Sheets





FIG. 1

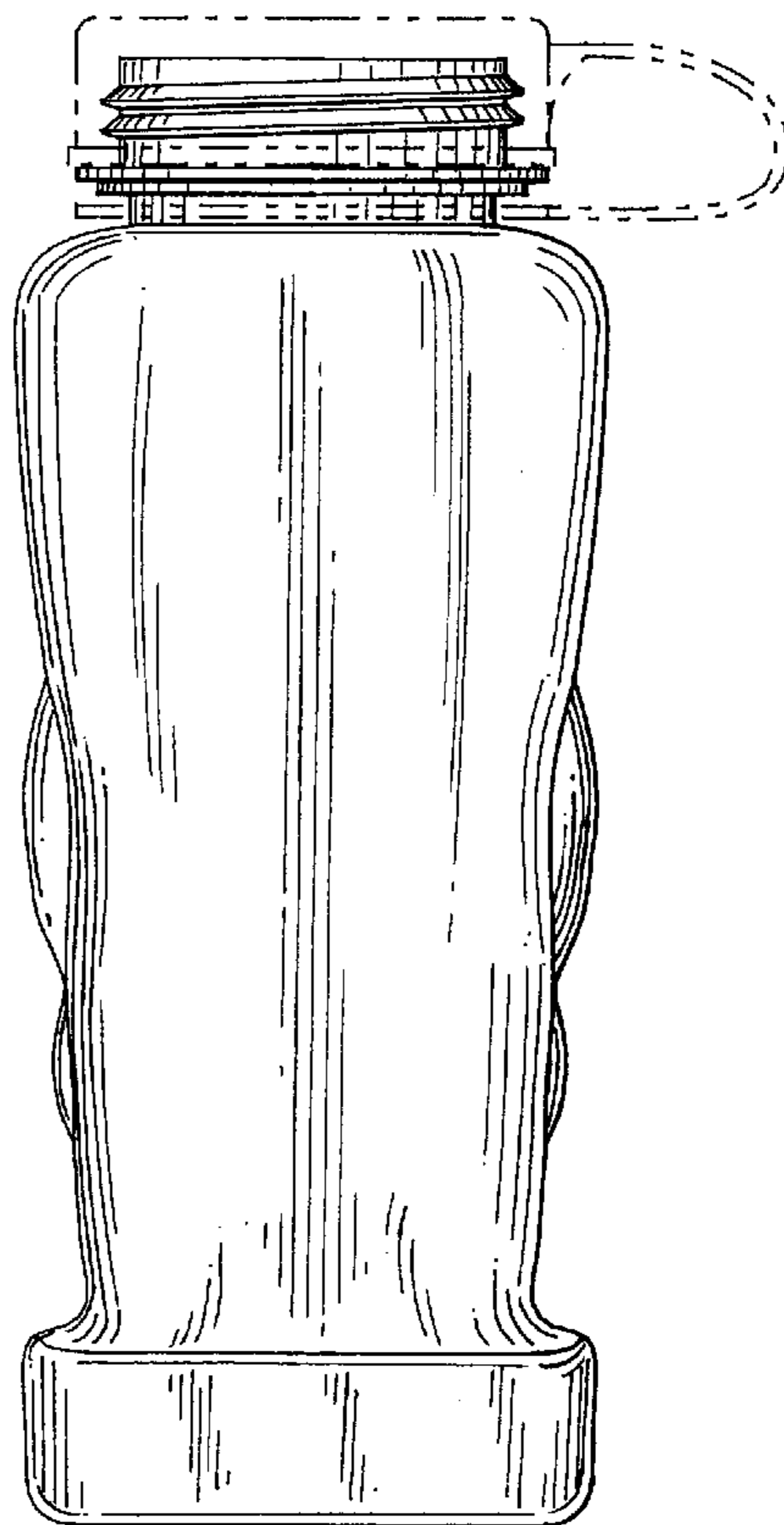


FIG. 2



FIG. 3

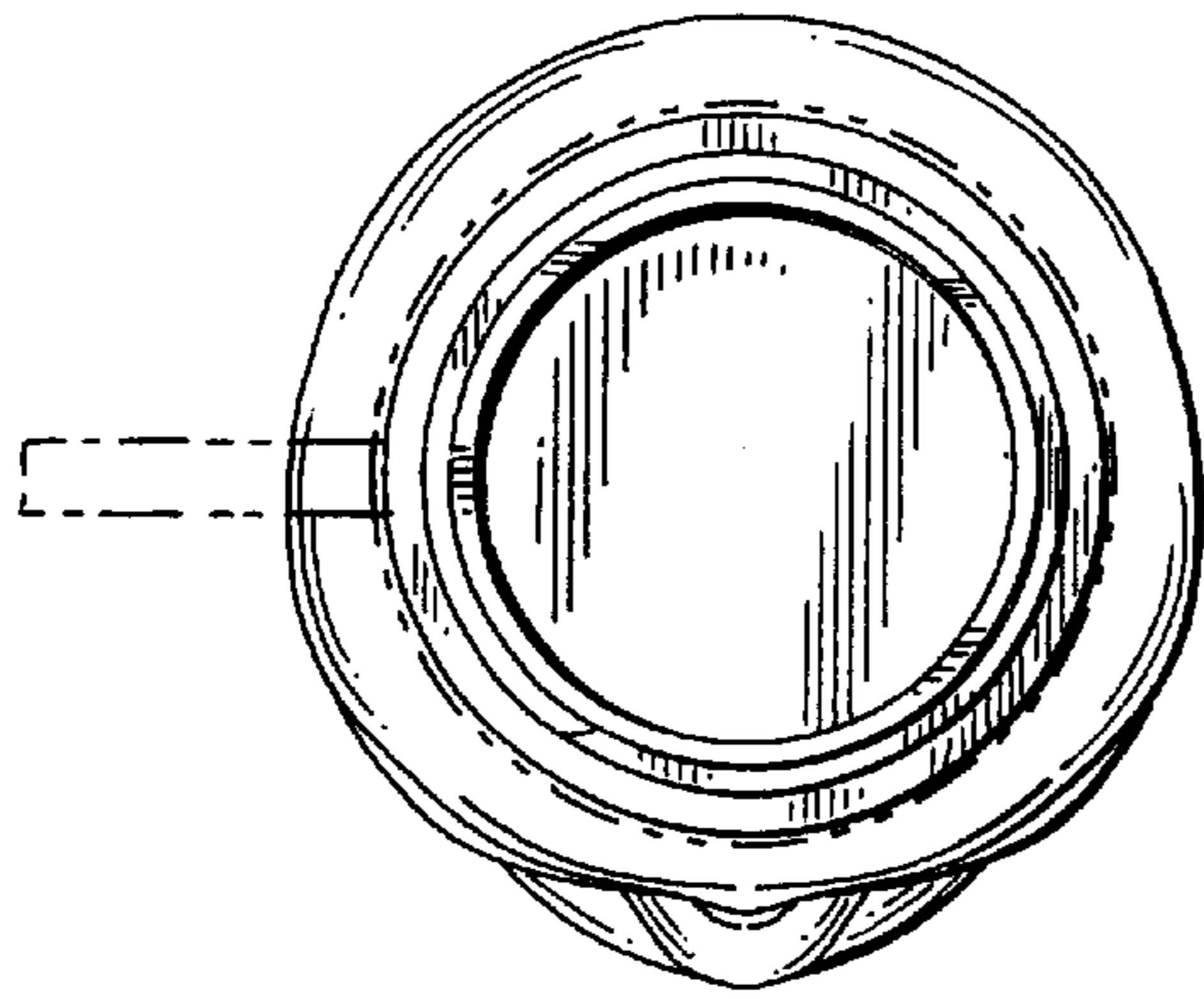


FIG. 4

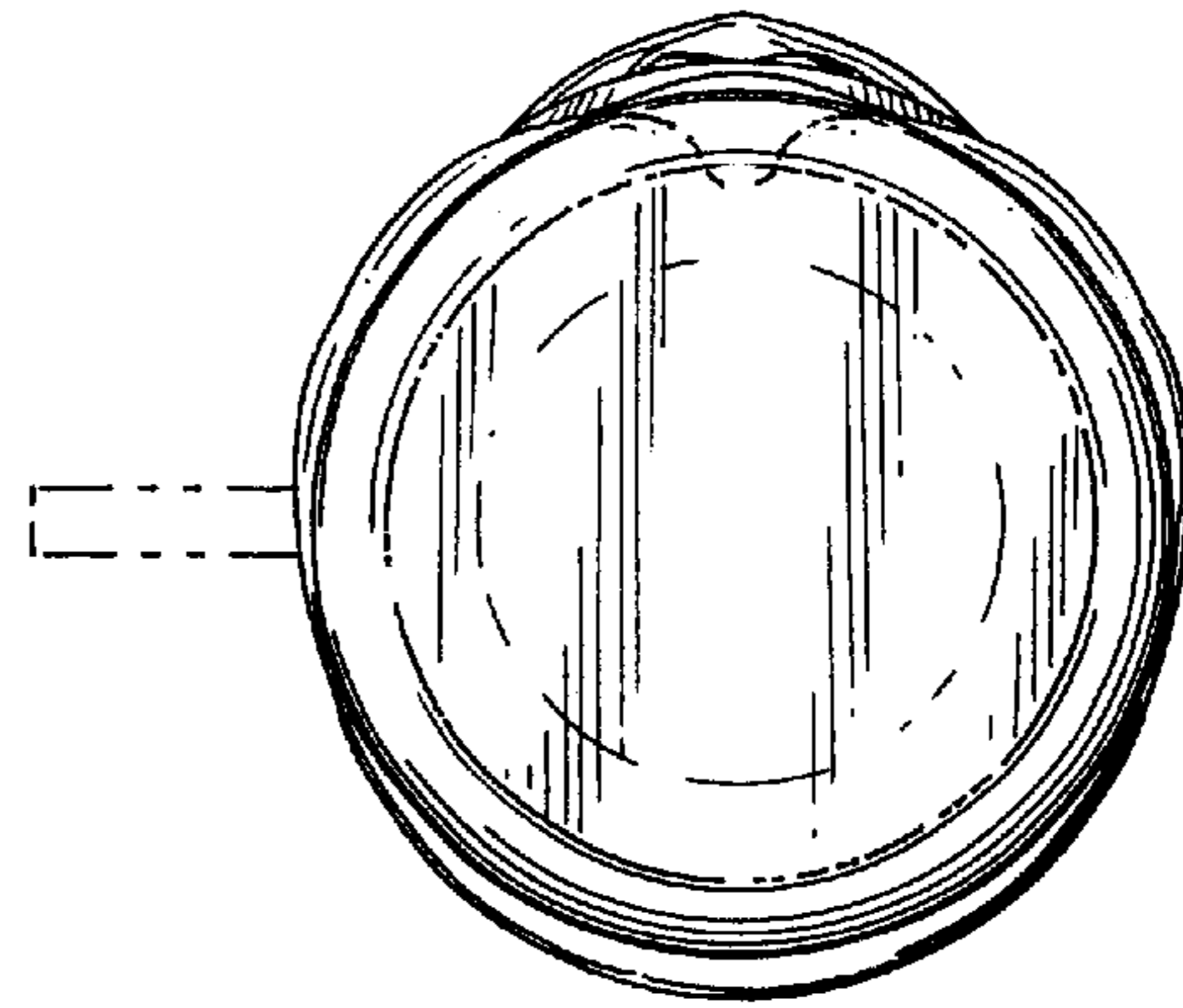


FIG. 5

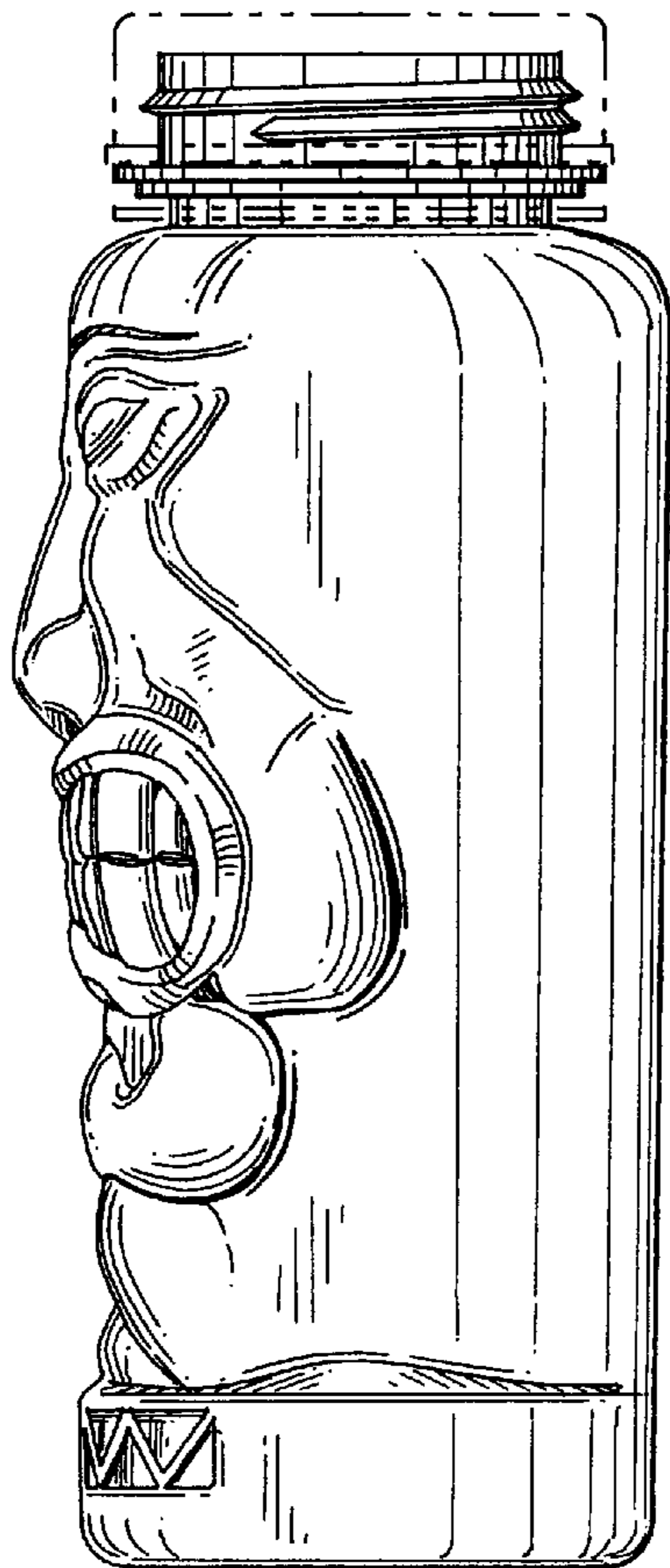


FIG. 6

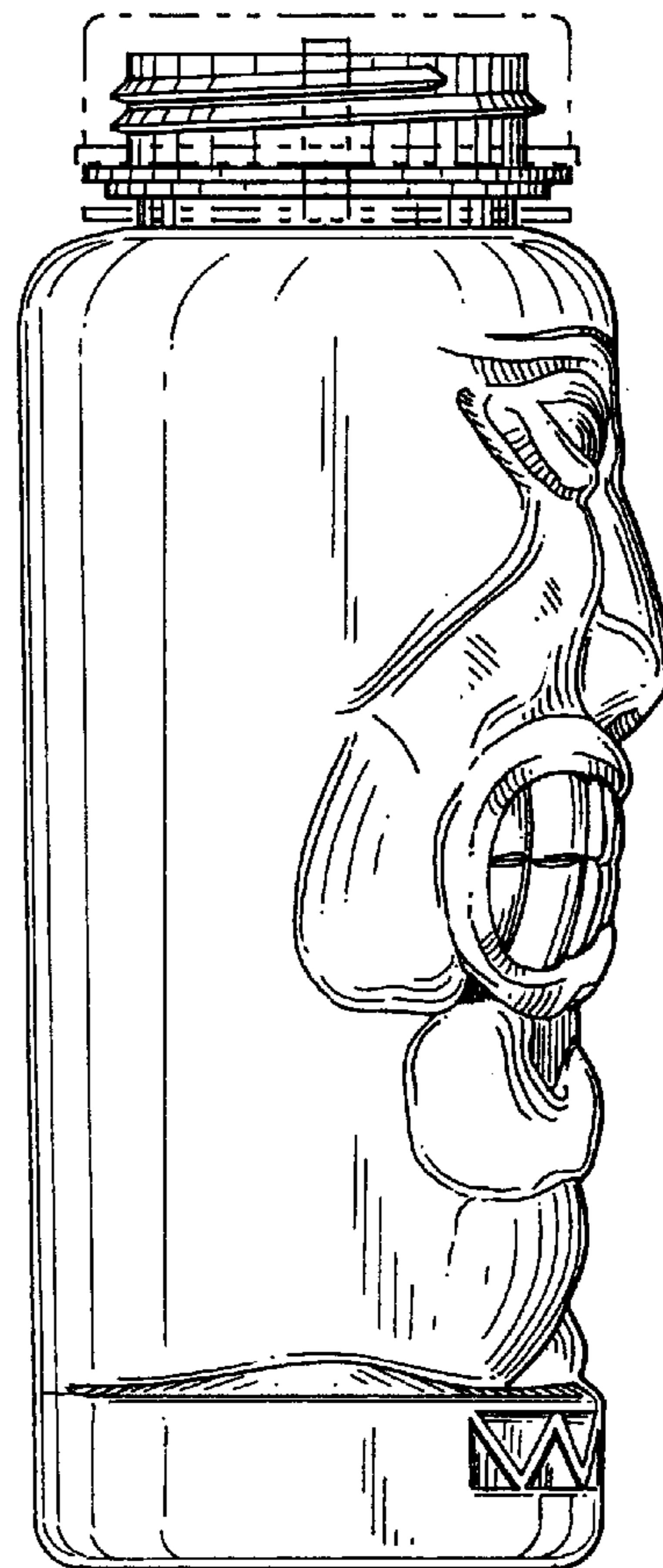


FIG. 7