



US00D517414S

(12) **United States Design Patent** (10) **Patent No.:** **US D517,414 S**
Abadinsky (45) **Date of Patent:** **** Mar. 21, 2006**

(54) **BOTTLE**
 (75) Inventor: **Donna Abadinsky**, Chicago, IL (US)
 (73) Assignee: **MSRF, Inc.**, Chicago, IL (US)
 (**) Term: **14 Years**
 (21) Appl. No.: **29/234,411**
 (22) Filed: **Jul. 18, 2005**
 (51) **LOC (8) Cl.** **09-01**
 (52) **U.S. Cl.** **D9/522; D9/544; D9/575**
 (58) **Field of Classification Search** **D9/500,**
 D9/502-505, 510-514, 516, 522-523, 530,
 D9/539, 541-549, 560, 562, 572-575, 652,
 D9/682, 684, 689, 692-693, 744-746; 215/381-385,
 215/396, 398, 400
 See application file for complete search history.

D388,709 S 1/1998 Weiss
 D395,240 S 6/1998 Dinand
 5,924,583 A 7/1999 Stevens et al.
 RE36,595 E * 3/2000 Newman D27/162
 D422,900 S * 4/2000 Ellise D9/693
 D425,796 S 5/2000 Duranthon
 D426,789 S 6/2000 Joergensen
 D432,407 S 10/2000 Lee
 6,145,681 A 11/2000 Chimetto et al.
 D434,668 S 12/2000 Chimetto et al.
 D442,489 S * 5/2001 LePage D9/523
 D448,998 S 10/2001 Farris
 D450,245 S * 11/2001 Schultz D9/522
 D450,573 S 11/2001 Mansau
 D458,140 S * 6/2002 Hutchins D9/523
 D463,980 S * 10/2002 Baron D9/522
 D464,434 S 10/2002 Morano
 D469,017 S 1/2003 Mauro
 D473,313 S 4/2003 Dlak-Ghanem
 6,551,639 B1 4/2003 Nye et al.
 D478,289 S 8/2003 Dean et al.
 6,631,819 B1 10/2003 Dlak-Ghahem
 D481,627 S 11/2003 Hillesland
 6,659,300 B1 12/2003 Wurster et al.
 D484,810 S 1/2004 Rosen
 D489,001 S 4/2004 Martin
 D495,608 S 9/2004 Klemm et al.
 D498,676 S 11/2004 Crawford
 2002/0104820 A1 8/2002 Hong et al.
 2003/0010744 A1 1/2003 Ma et al.

(56) **References Cited**

U.S. PATENT DOCUMENTS

D81,620 S * 7/1930 Blunt D9/652
 D152,875 S 3/1949 Frame
 D176,590 S * 1/1956 Breen D9/522
 2,760,209 A * 8/1956 Ewing et al. 222/211 X
 D206,830 S 1/1967 Marchant
 D240,391 S * 7/1976 Koenigsberg D9/652
 D241,414 S * 9/1976 Koenigsberg D9/523
 D253,036 S * 10/1979 Meyer et al. D9/543
 D256,666 S 9/1980 Sarda
 D260,856 S * 9/1981 Sillerud D9/522
 D280,601 S 9/1985 Biesecker
 D297,310 S 8/1988 Mednis
 D299,428 S 1/1989 Wilfond
 D312,570 S 12/1990 Lunderman
 D314,907 S * 2/1991 Ricci D9/652 X
 D318,221 S * 7/1991 Zoller D9/575 X
 D322,563 S 12/1991 Grandesso et al.
 5,088,642 A 2/1992 Farber
 D337,522 S 7/1993 Kingsbury
 D356,737 S 3/1995 Ginsberg
 D366,618 S 1/1996 Brillet et al.
 D366,619 S 1/1996 Holbrook
 D369,969 S 5/1996 Grivory

* cited by examiner

Primary Examiner—Carol Rademaker
 (74) *Attorney, Agent, or Firm*—Sayfarth Shaw LLP

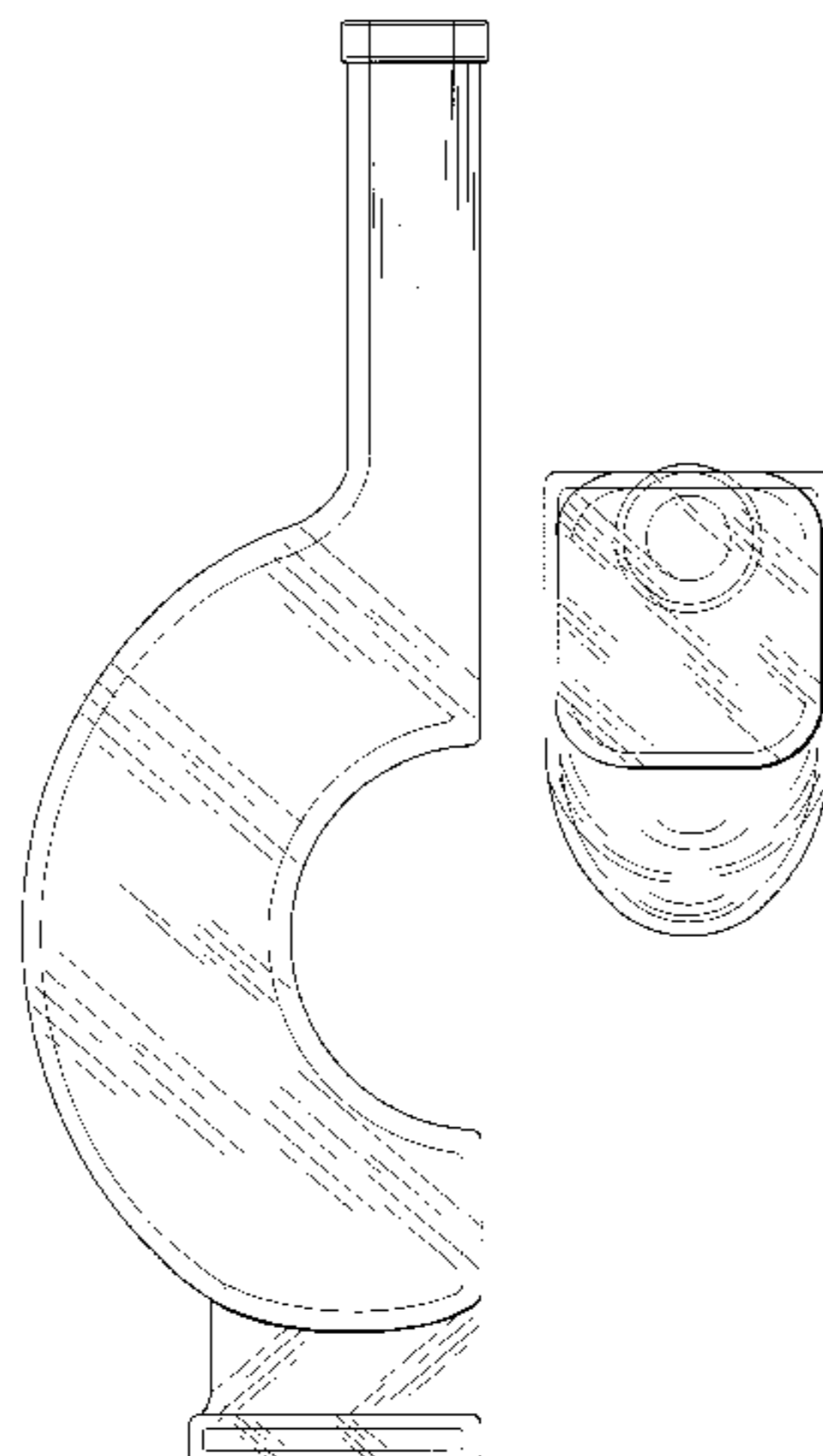
(57) **CLAIM**

The ornamental design for a bottle, as shown and described.

DESCRIPTION

FIG. 1 is a left side view of the bottle showing my new design, the right side view being a mirror image;
 FIG. 2 is a front view thereof;
 FIG. 3 is a rear view thereof;
 FIG. 4 is a top view thereof; and,
 FIG. 5 is a bottom view thereof.

1 Claim, 3 Drawing Sheets



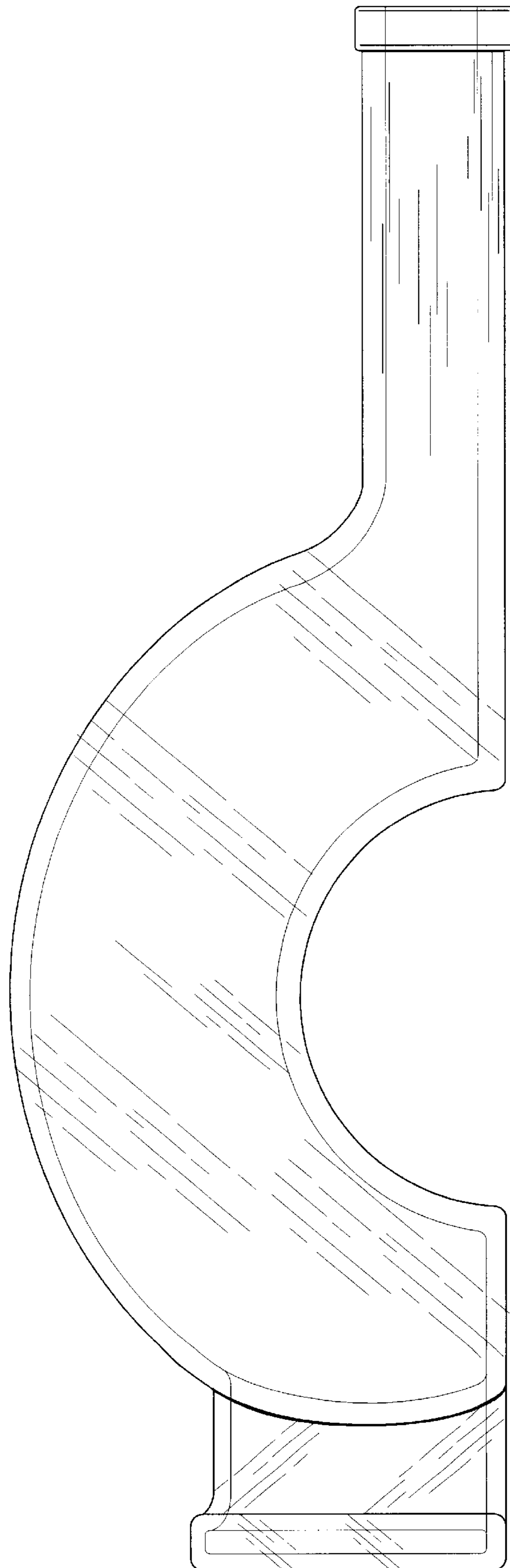


FIG. 1

FIG. 2

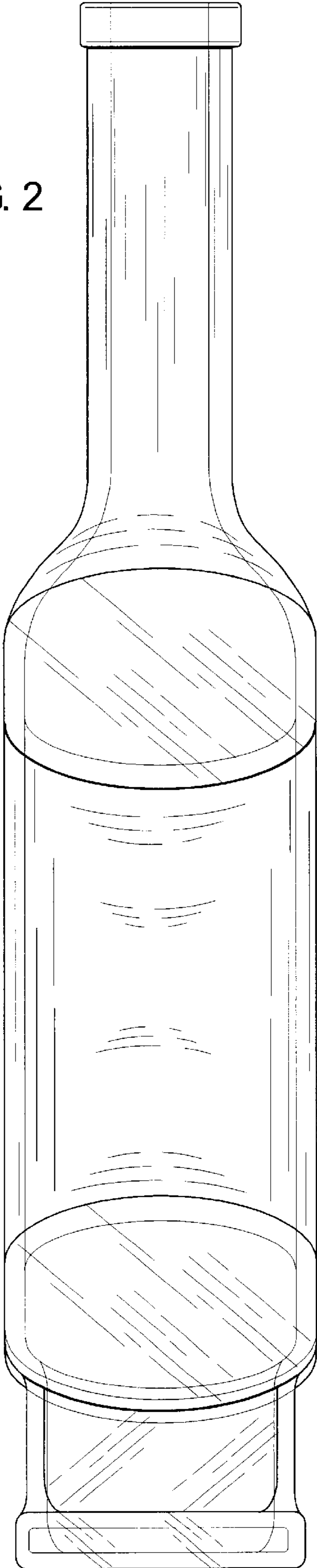
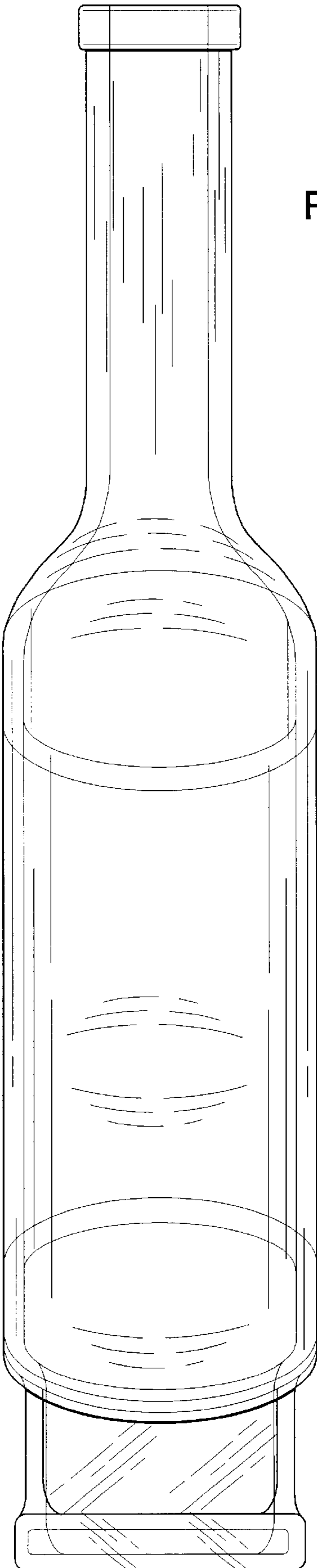


FIG. 3



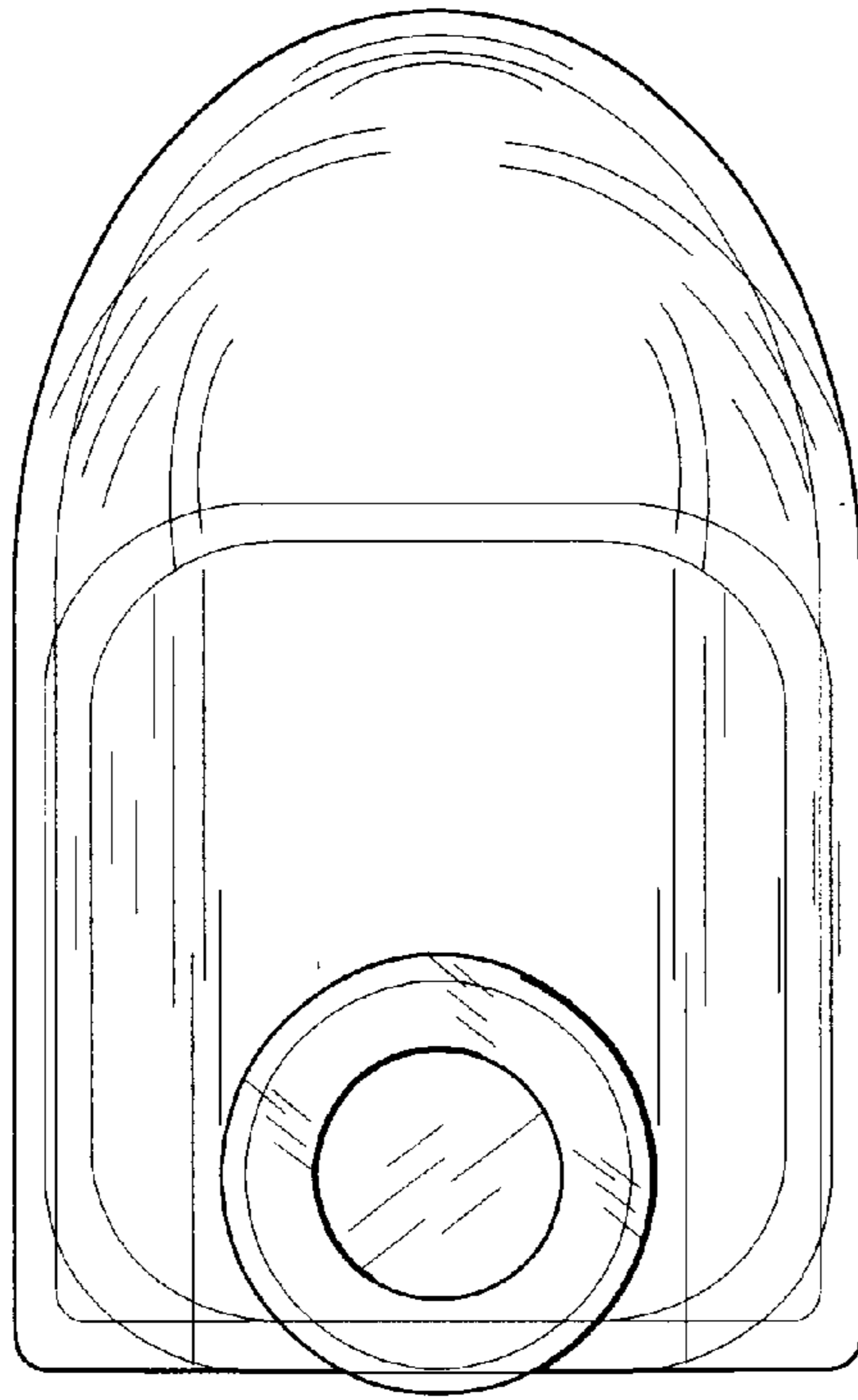


FIG. 4

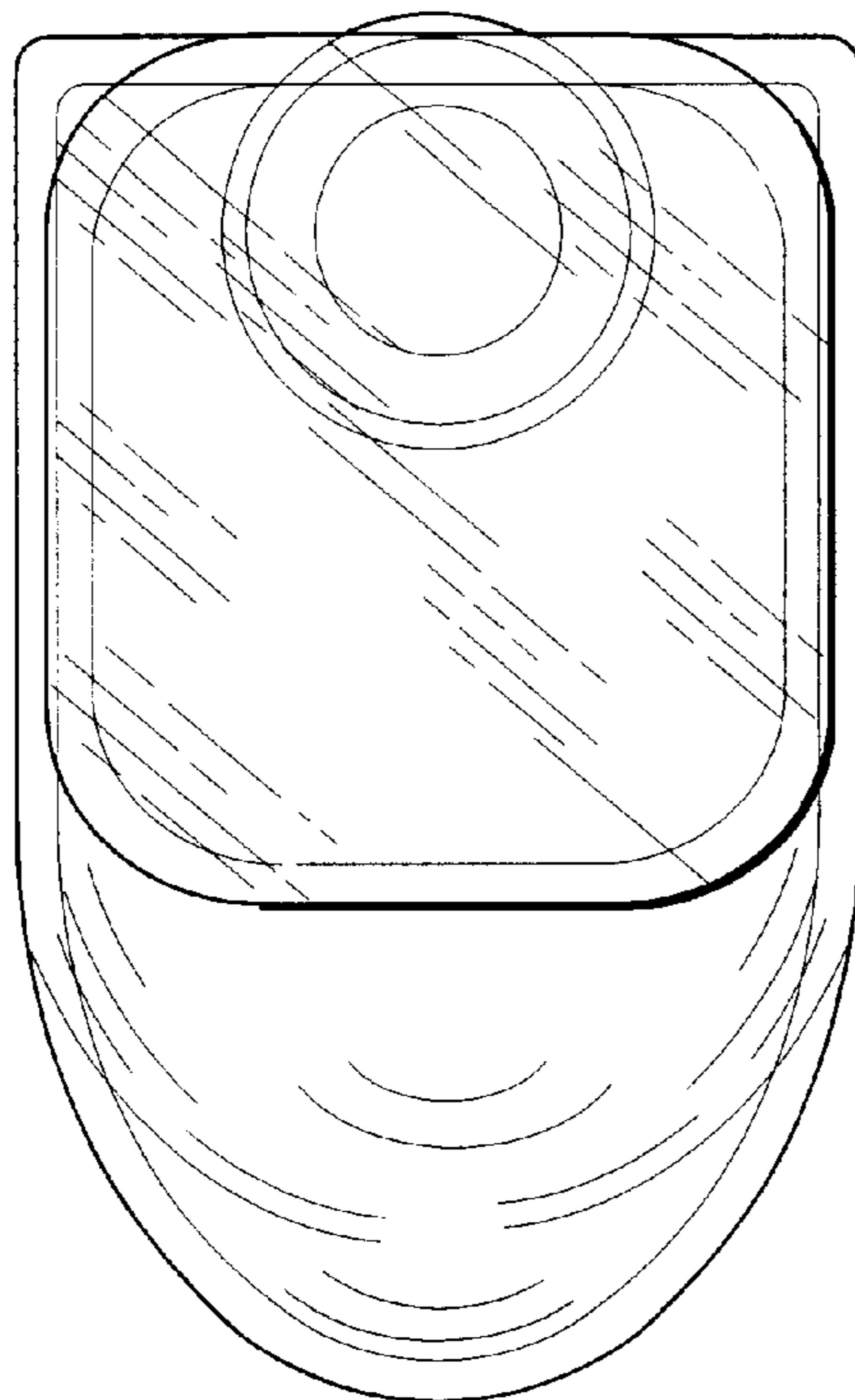


FIG. 5