



US00D517408S

(12) **United States Design Patent**
González

(10) **Patent No.:** **US D517,408 S**
(45) **Date of Patent:** **** Mar. 21, 2006**

(54) **CAP FOR A BOTTLE**

(75) Inventor: **Fernando Meza González**, Guadalajara (MX)

(73) Assignee: **Plásticos Arco Iris, S.A. De C.V.**, Jalisco (MX)

(**) Term: **14 Years**

(21) Appl. No.: **29/199,513**

(22) Filed: **Feb. 18, 2004**

(30) **Foreign Application Priority Data**

Aug. 20, 2003 (MX) PA/f/2003/000927

(51) **LOC (8) Cl.** **09-07**

(52) **U.S. Cl.** **D9/438**

(58) **Field of Classification Search** D9/719,
D9/529, 518, 504, 503, 500, 454, 449, 447,
D9/445, 444, 443, 440, 438, 434, 435; D7/900,
D7/608, 538, 511, 392.1, 317, 313, 312; 222/153.07,
222/153.05; 220/915, 726; 215/228
See application file for complete search history.

(56) **References Cited**

U.S. PATENT DOCUMENTS

- 4,437,593 A * 3/1984 Bullock, III 222/153.07
- 4,784,296 A * 11/1988 Bullock 222/153.07
- D340,412 S * 10/1993 Smith D9/435
- D381,259 S * 7/1997 Hayes D9/504

- D385,493 S * 10/1997 Zhang D9/449
- D411,744 S * 6/1999 Brach et al. D9/438
- D447,056 S * 8/2001 Caserta D9/438
- D462,269 S * 9/2002 Hunter et al. D9/435
- D503,620 S * 4/2005 Taylor D9/518

* cited by examiner

Primary Examiner—Robert M. Spear
Assistant Examiner—Susan Bennett Hattan
(74) *Attorney, Agent, or Firm*—Nath & Associates PLLC;
Gregory B. Kang; Derek Richmond

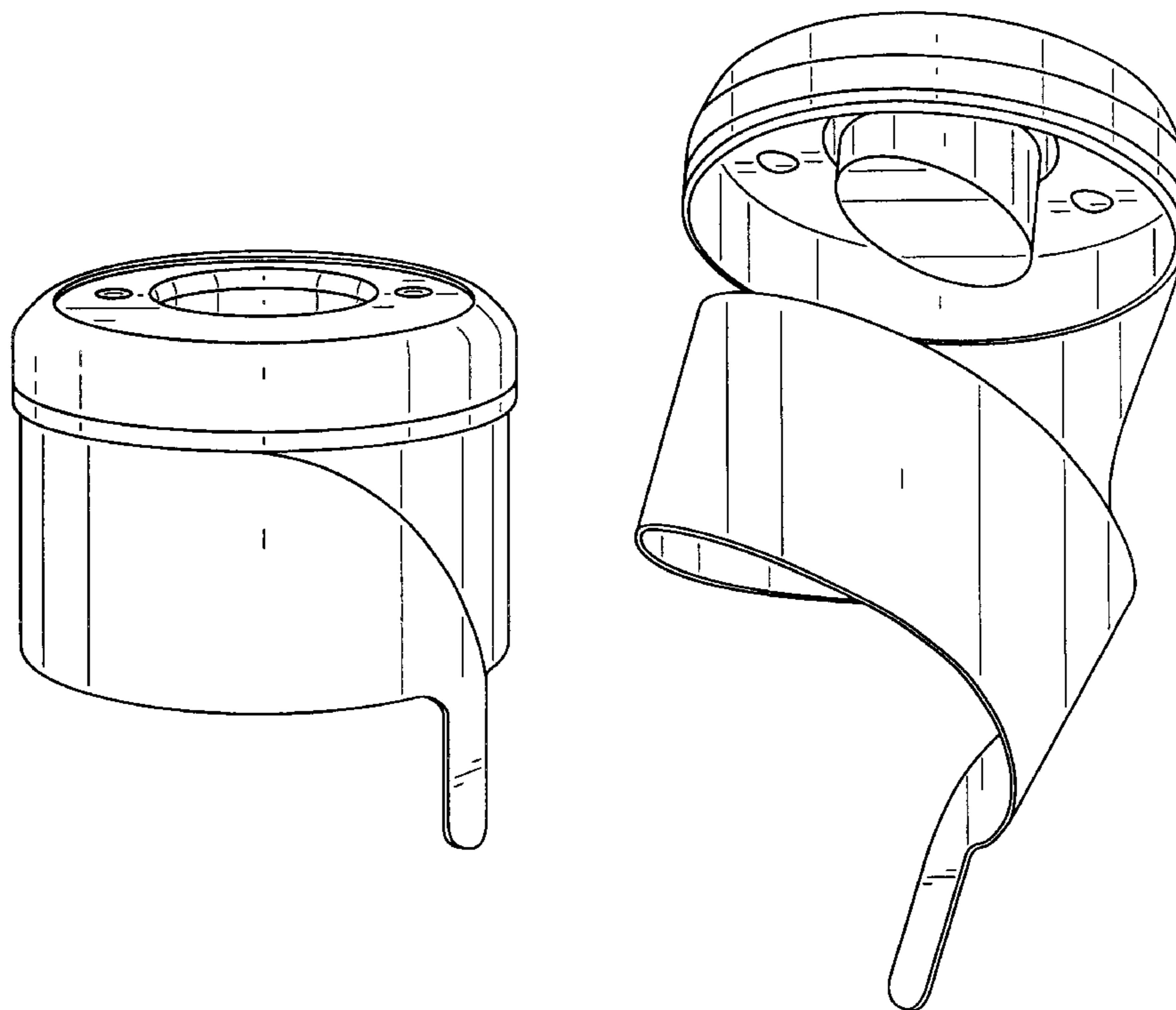
(57) **CLAIM**

The ornamental design for a cap for a bottle, as shown and described.

DESCRIPTION

FIG. 1 is a top perspective view of a cap for a bottle showing my new design;
FIG. 2 is a front elevational view thereof;
FIG. 3 is a rear elevational view thereof showing an opposite view of FIG. 2;
FIG. 4 is a top plan view thereof;
FIG. 5 is a bottom plan view thereof;
FIG. 6 is a bottom perspective view thereof;
FIG. 7 is a front elevational view similar to FIG. 2, but showing a skirt portion partially taken away; and,
FIG. 8 is a bottom perspective view thereof showing a skirt portion partially taken away.

1 Claim, 8 Drawing Sheets



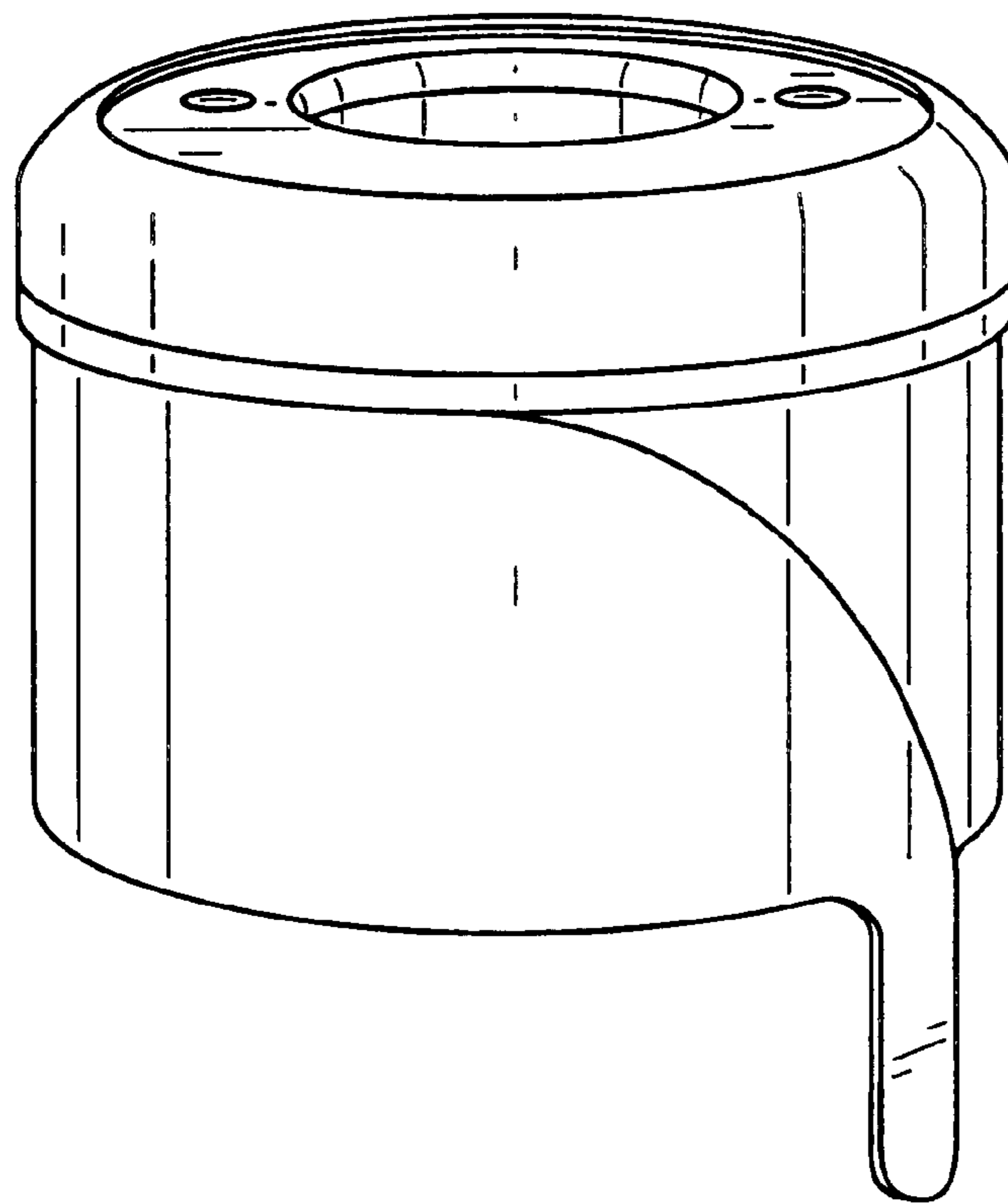


FIG. 1

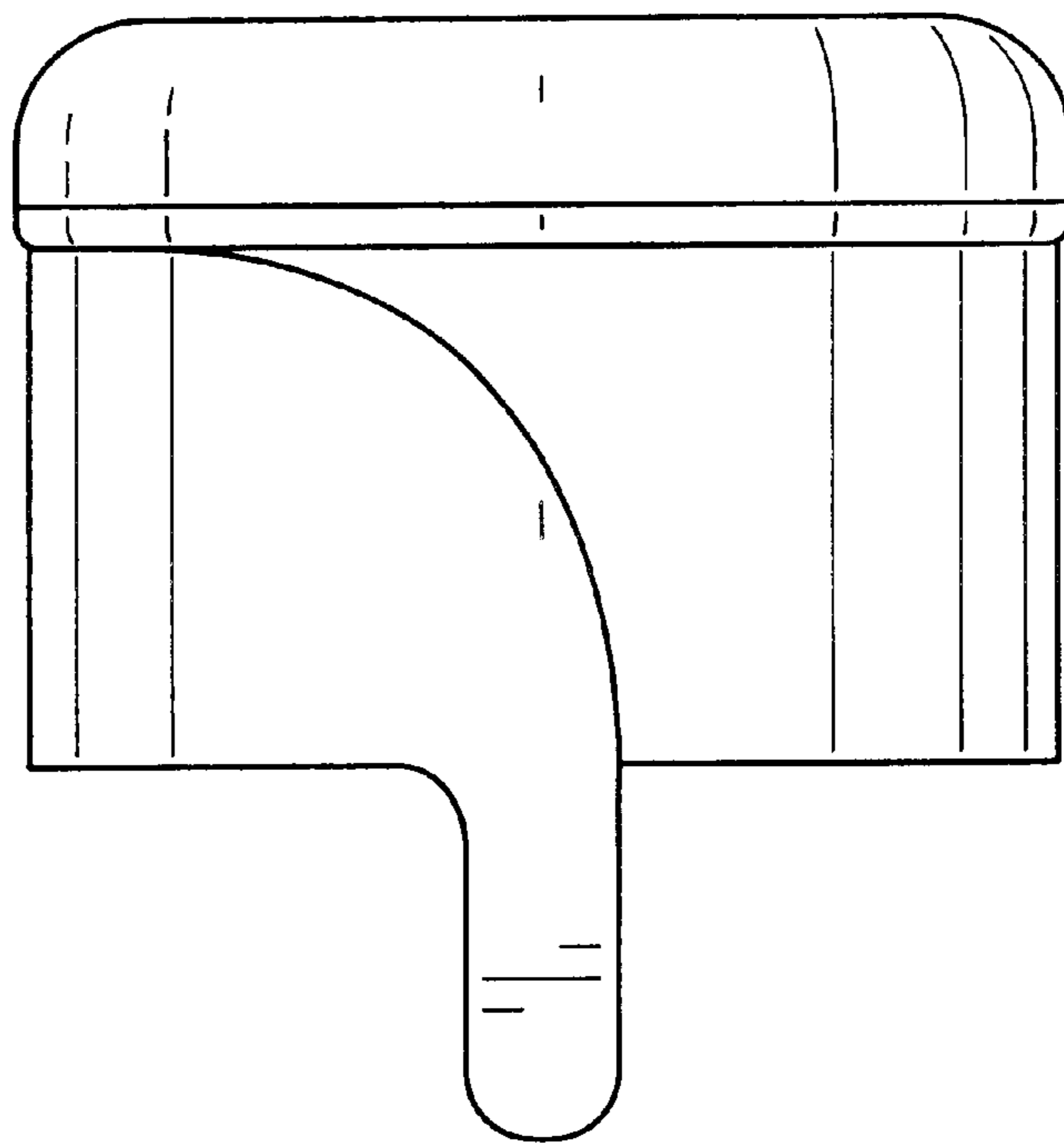


FIG. 2

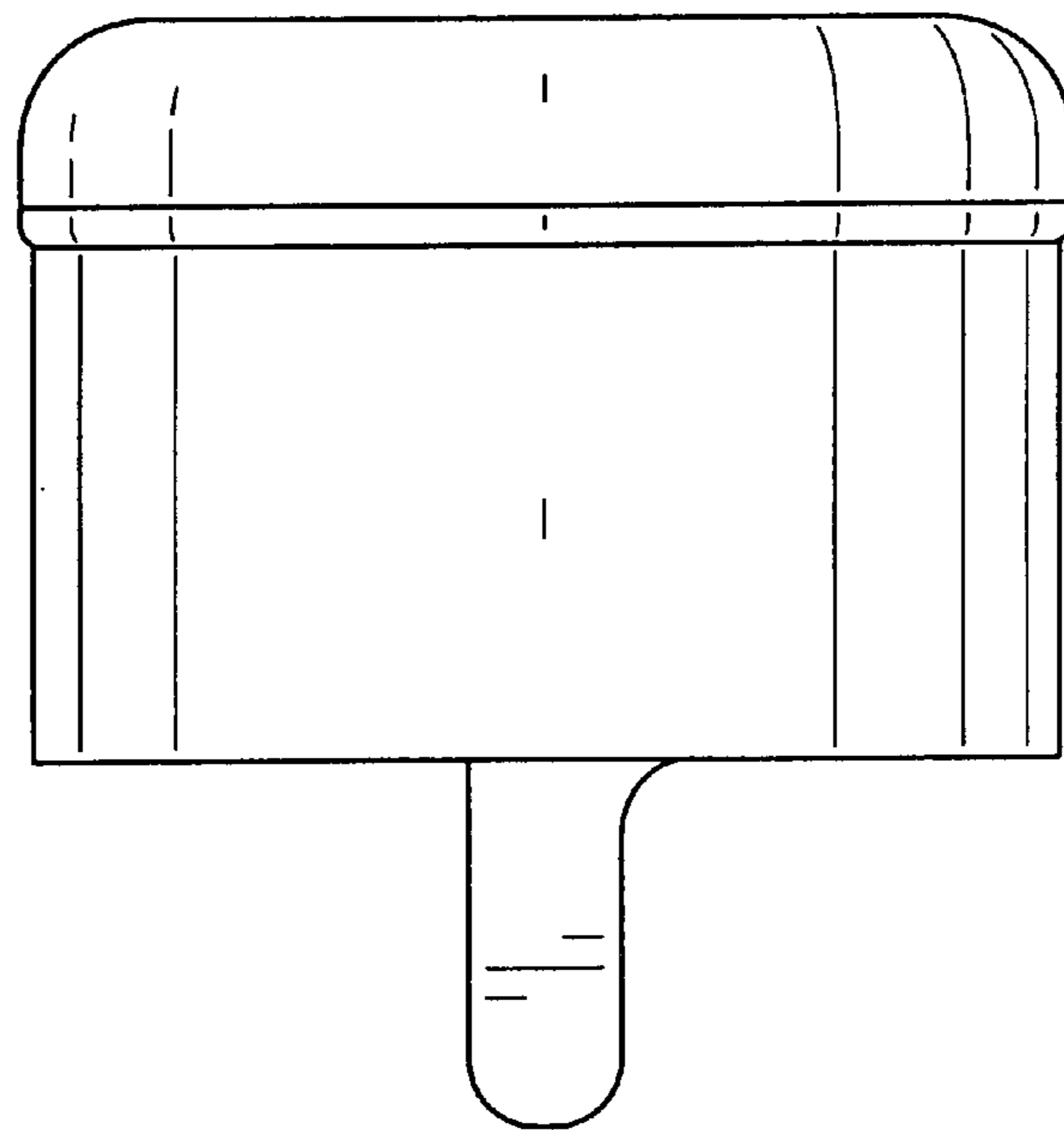


FIG. 3

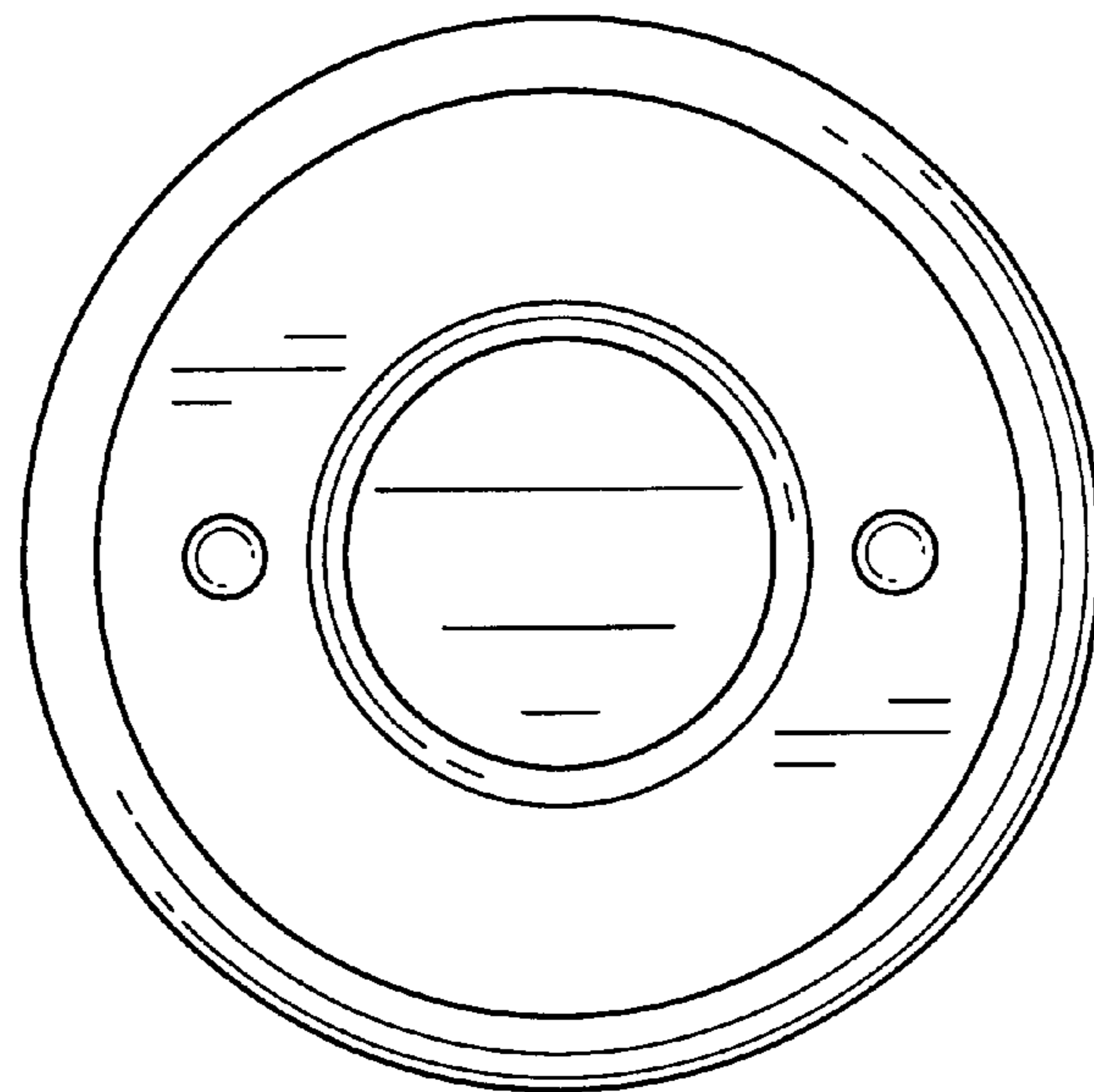


FIG. 4

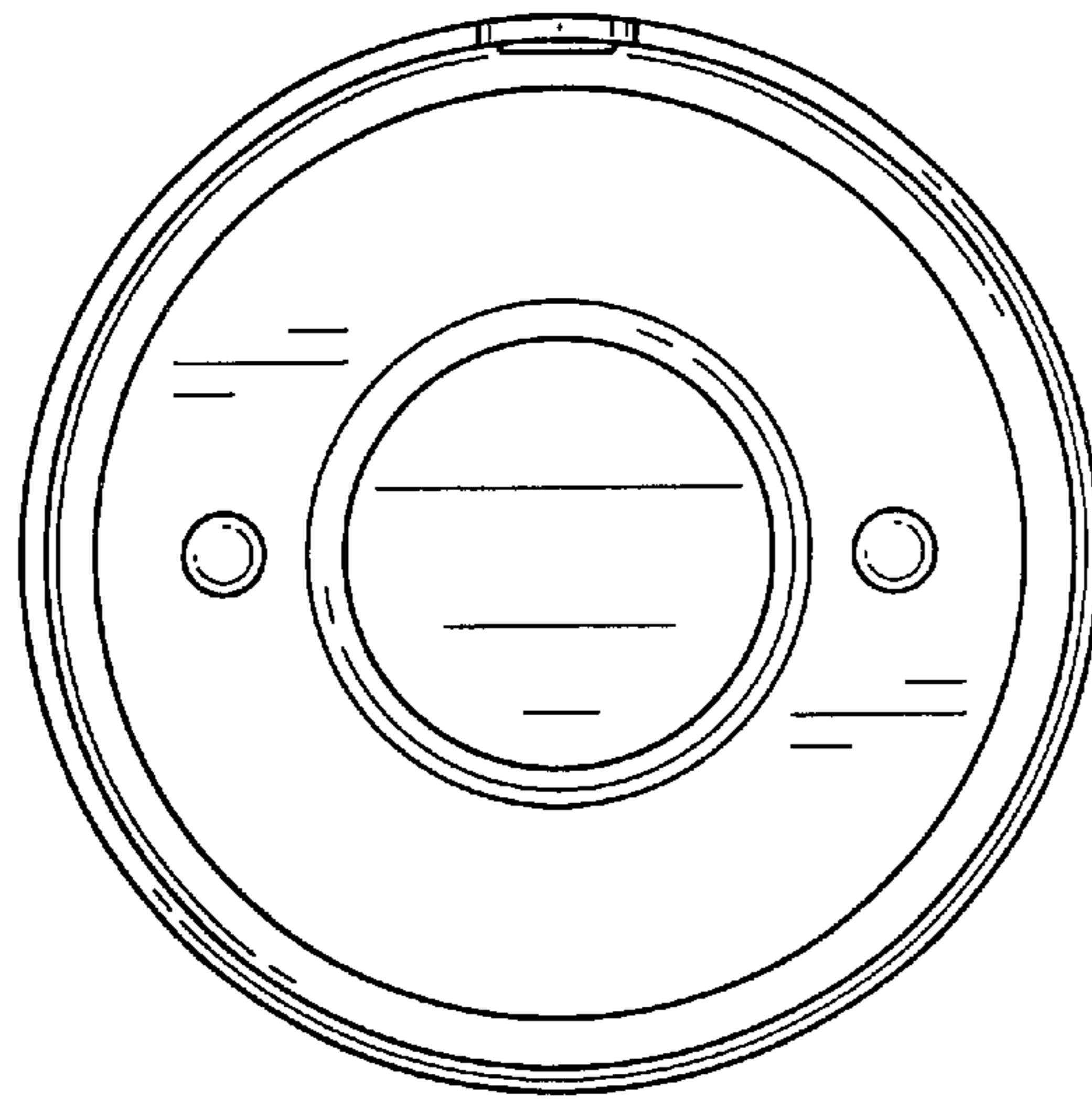


FIG. 5

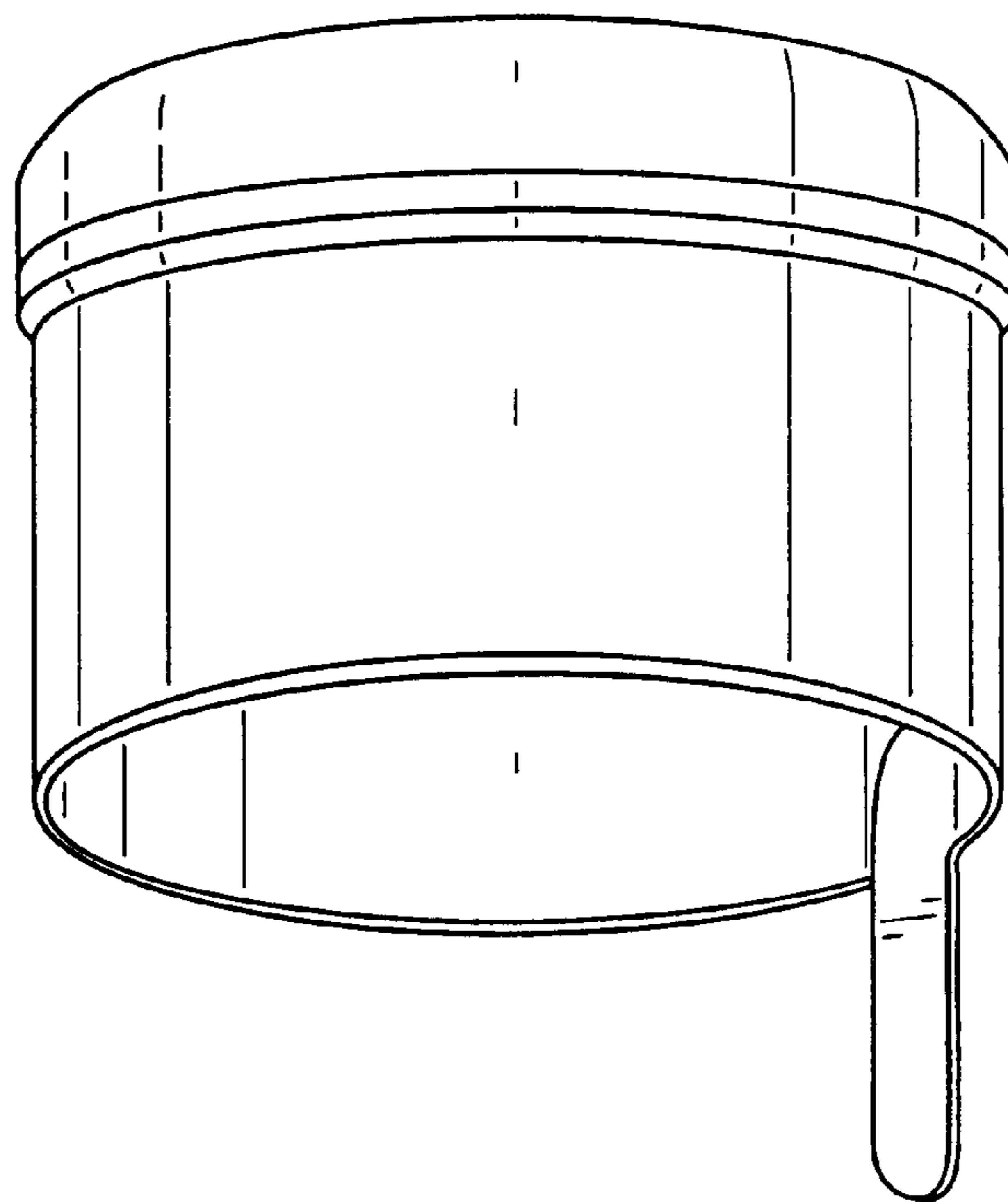


FIG. 6

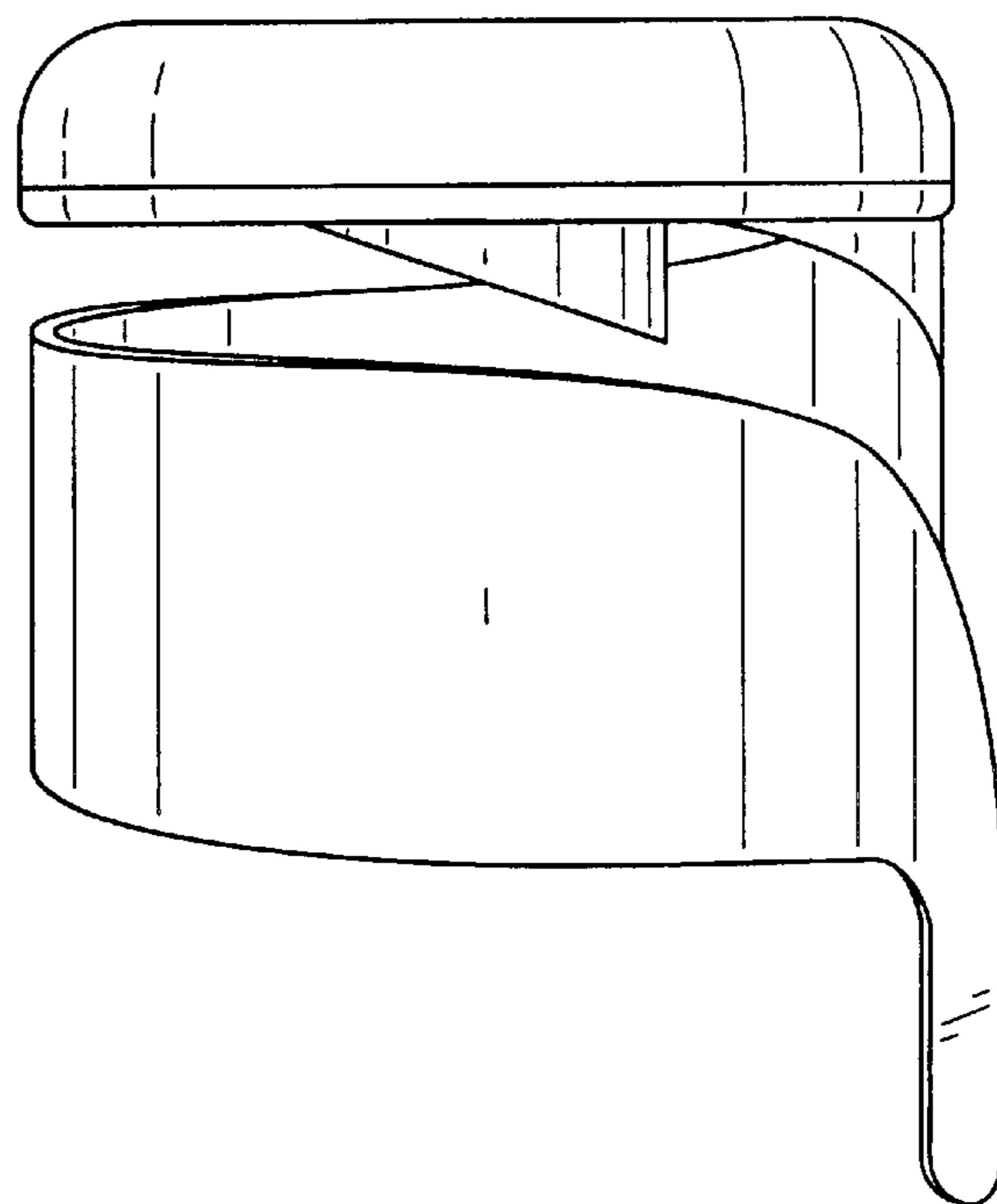


FIG. 7

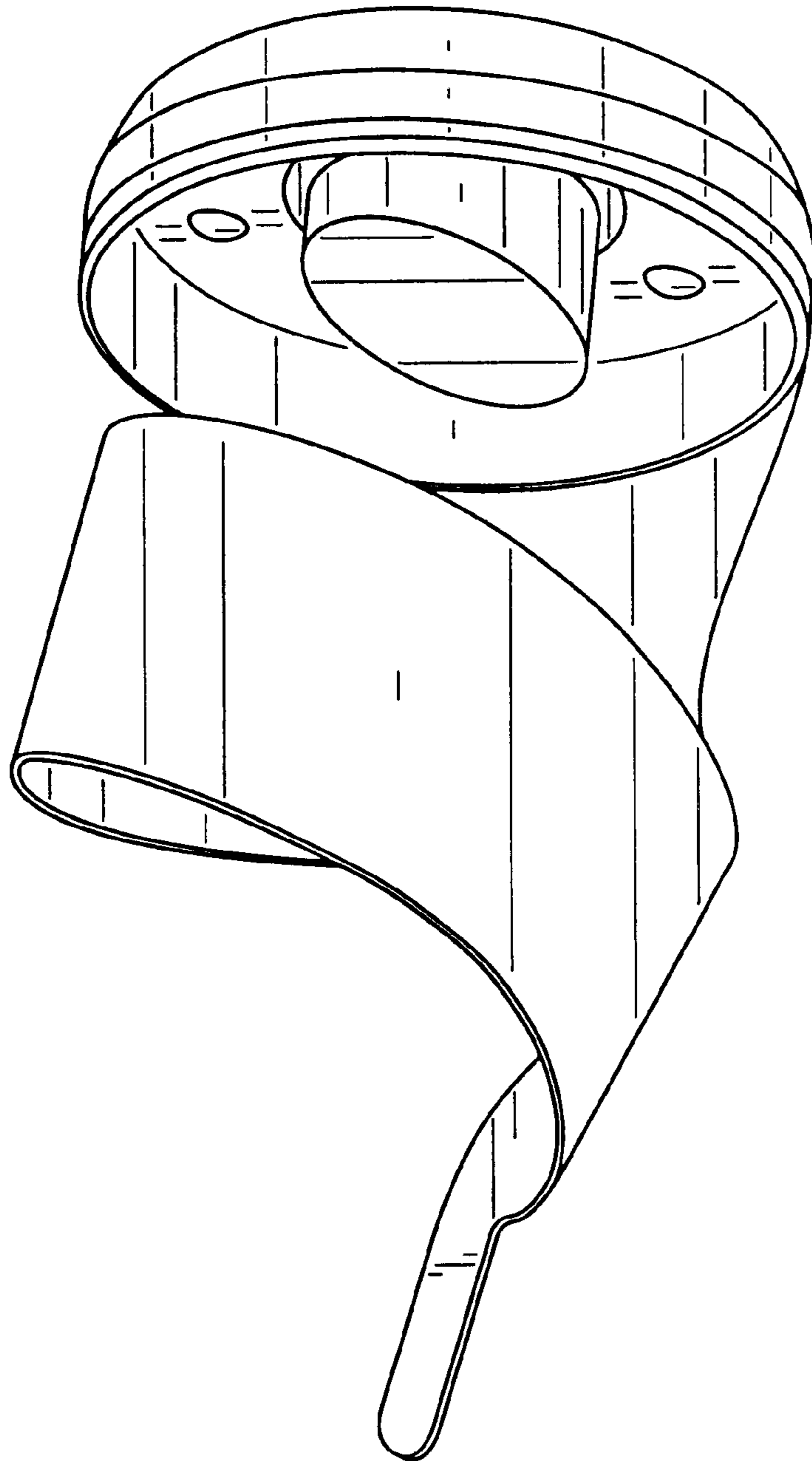


FIG. 8