



US00D517403S

(12) **United States Design Patent**
Chen

(10) **Patent No.:** **US D517,403 S**
(45) **Date of Patent:** **** Mar. 21, 2006**

(54) **COUPLER FOR A TOP RAIL OF PLAYPEN**

(75) Inventor: **Shun-Min Chen**, Taipei (TW)

(73) Assignee: **Wonderland Nurserygoods Co., Ltd.**,
Taipei (TW)

(**) Term: **14 Years**

(21) Appl. No.: **29/196,876**

(22) Filed: **Jan. 7, 2004**

(51) **LOC (8) Cl.** **08-08**

(52) **U.S. Cl.** **D8/382**

(58) **Field of Classification Search** D8/382-383;
403/102, 312, 309, 196

See application file for complete search history.

(56) **References Cited**

U.S. PATENT DOCUMENTS

5,211,498	A	*	5/1993	Huang	403/102
5,611,634	A	*	3/1997	Wang	403/102
5,615,968	A	*	4/1997	Verenski et al.	403/312
5,730,542	A	*	3/1998	Cheng	403/102
6,250,837	B1	*	6/2001	Mariol et al.	403/102
6,302,613	B1	*	10/2001	Lan	403/102

* cited by examiner

Primary Examiner—Holly H. Baynham
(74) *Attorney, Agent, or Firm*—DLA Piper Rudnick Gray
Cary US LLP

(57) **CLAIM**

The ornamental design for coupler for a top rail of playpen,
as shown and described.

DESCRIPTION

FIG. 1 is a perspective view of coupler for a top rail of
playpen showing my new design;

FIG. 2 is a front elevational view thereof;

FIG. 3 is a rear elevational view thereof;

FIG. 4 is a left side elevational view thereof;

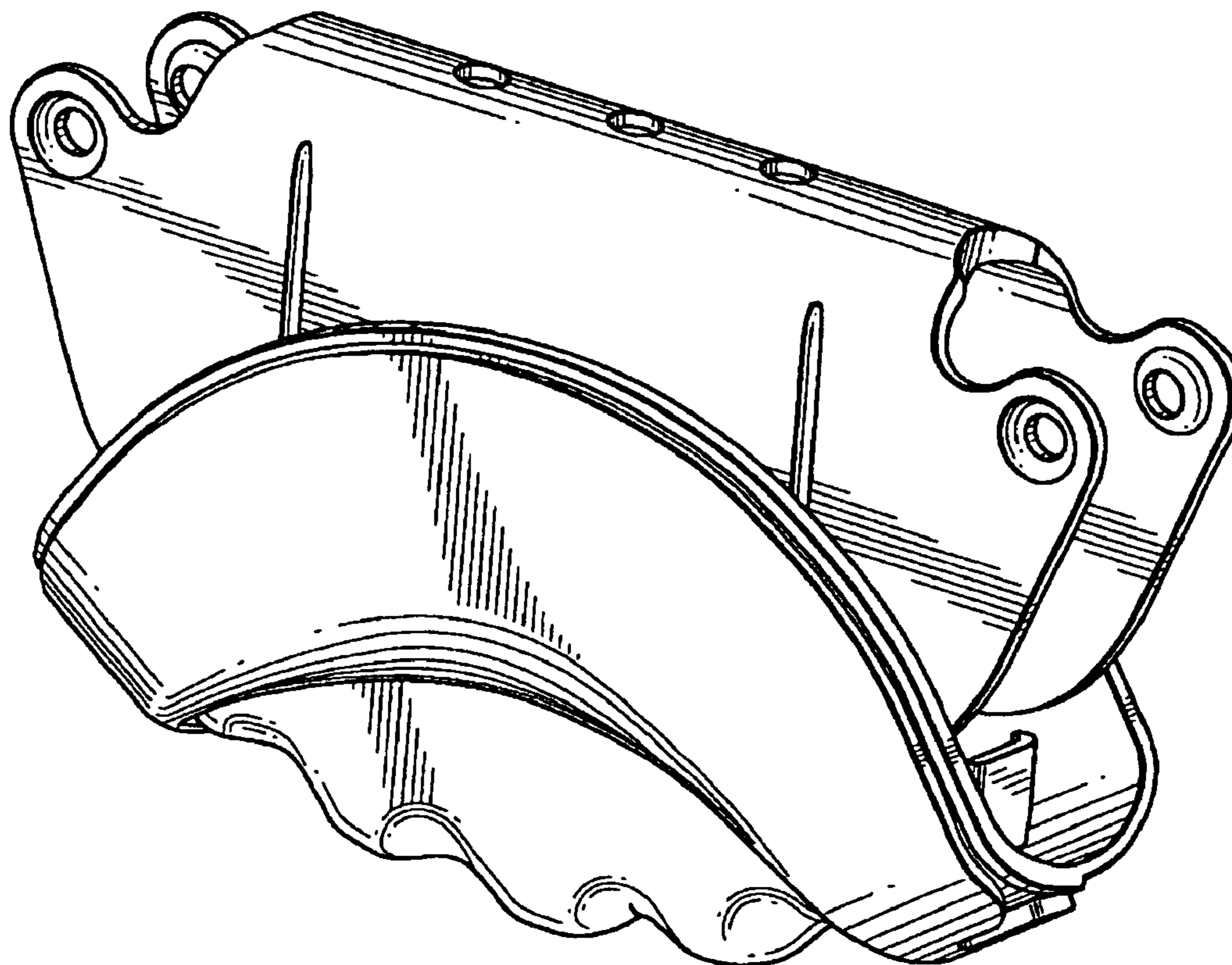
FIG. 5 is a right side elevational view thereof;

FIG. 6 is a top plan view thereof;

FIG. 7 is a bottom plan view thereof; and,

FIG. 8 is an environmental perspective view and FIG. 9 is
a reduced scale environmental perspective view with the
broken line showing of environment being for illustrative
purposes only and forming no part of the claimed design.

1 Claim, 6 Drawing Sheets



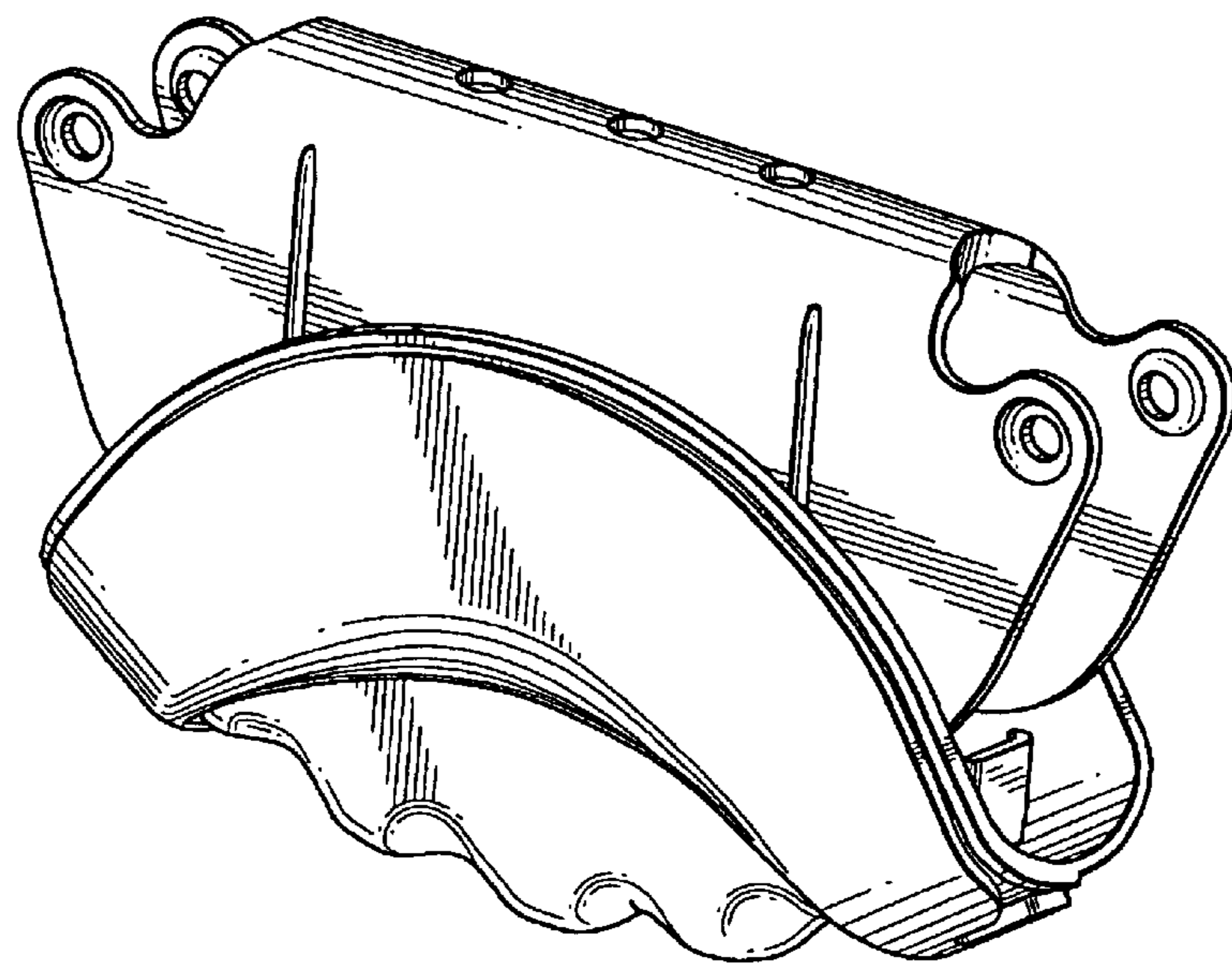


FIG. 1

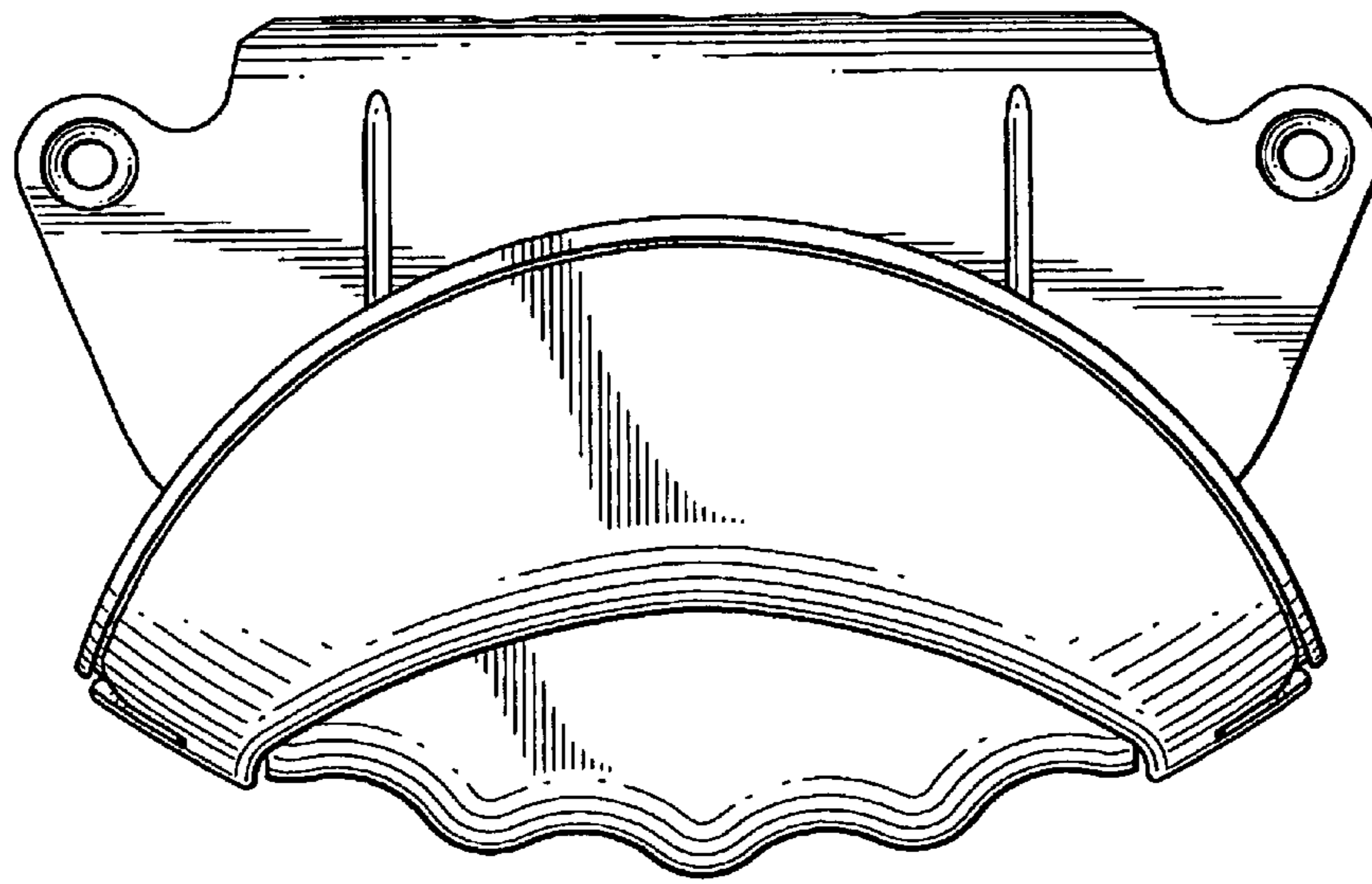


FIG. 2

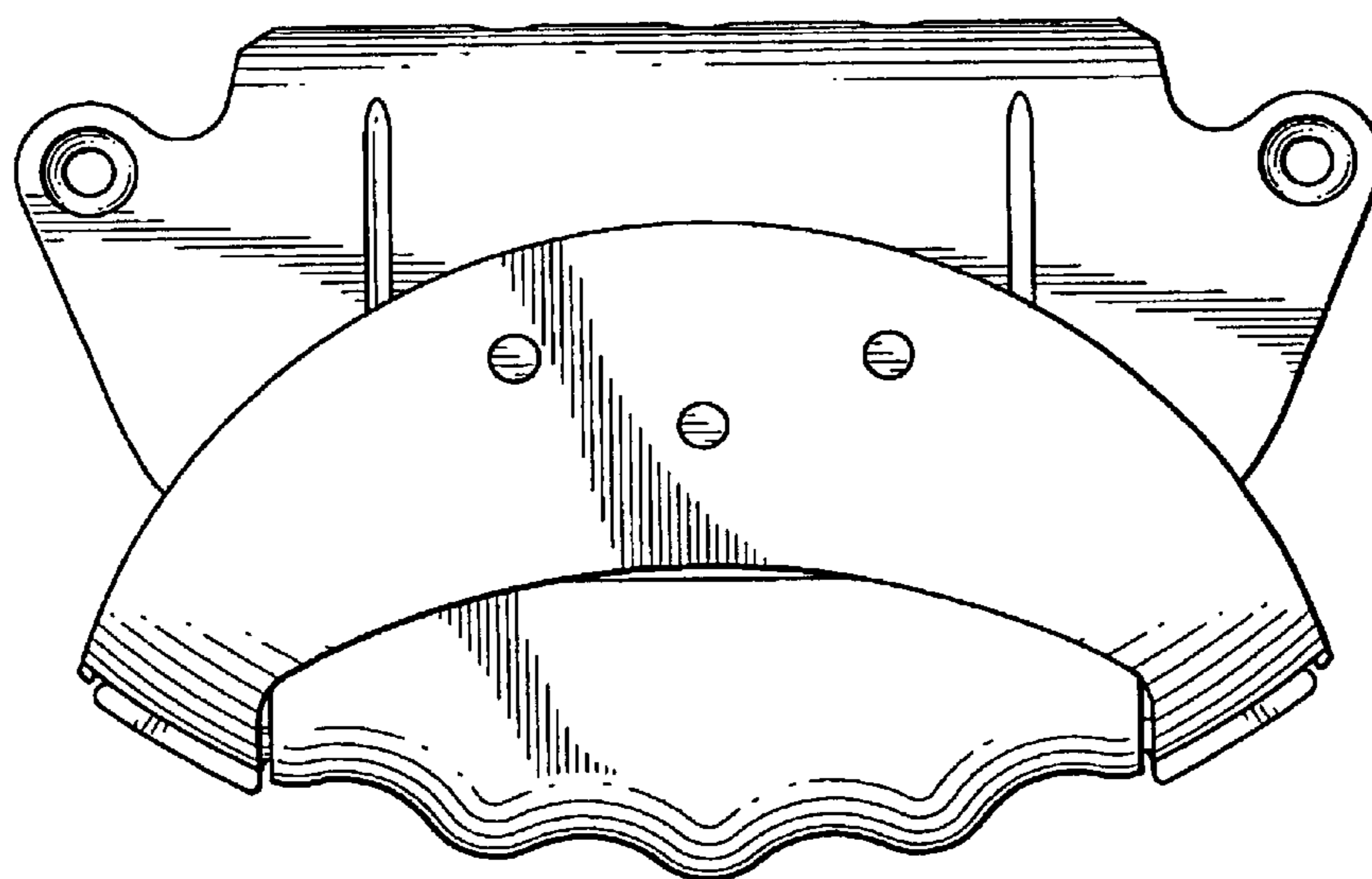


FIG. 3

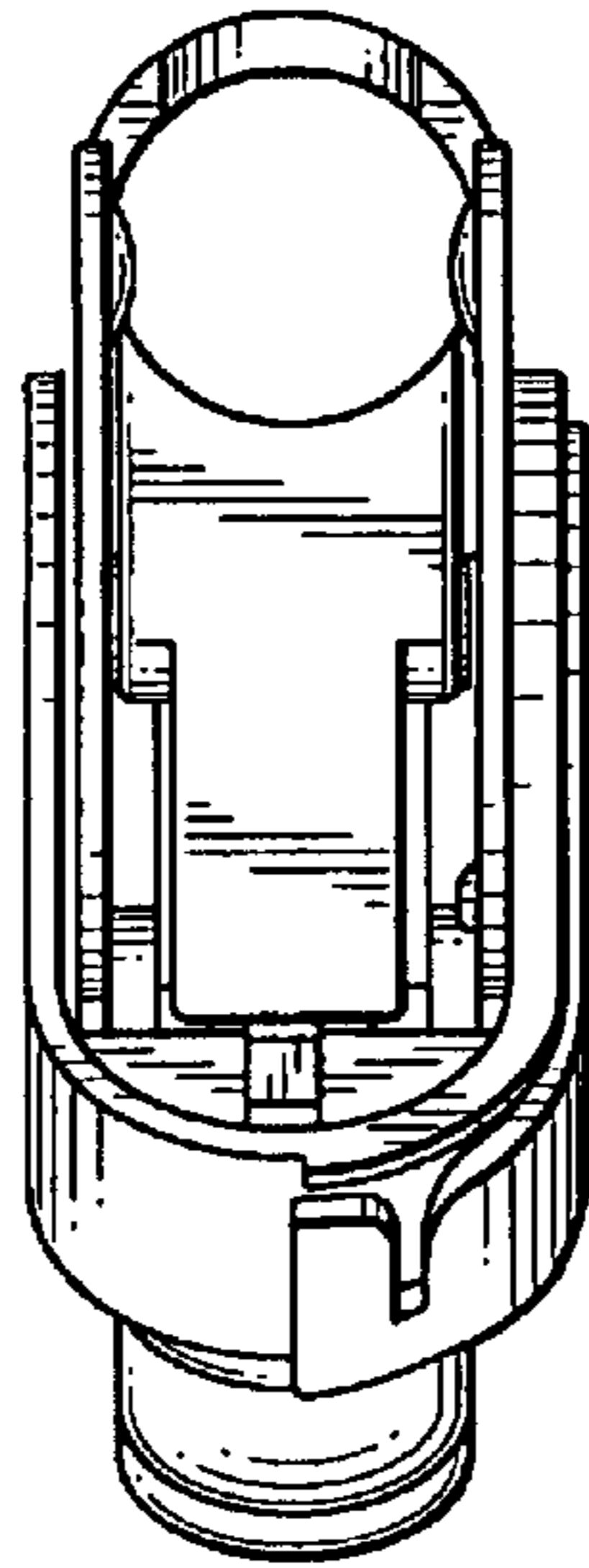


FIG. 4

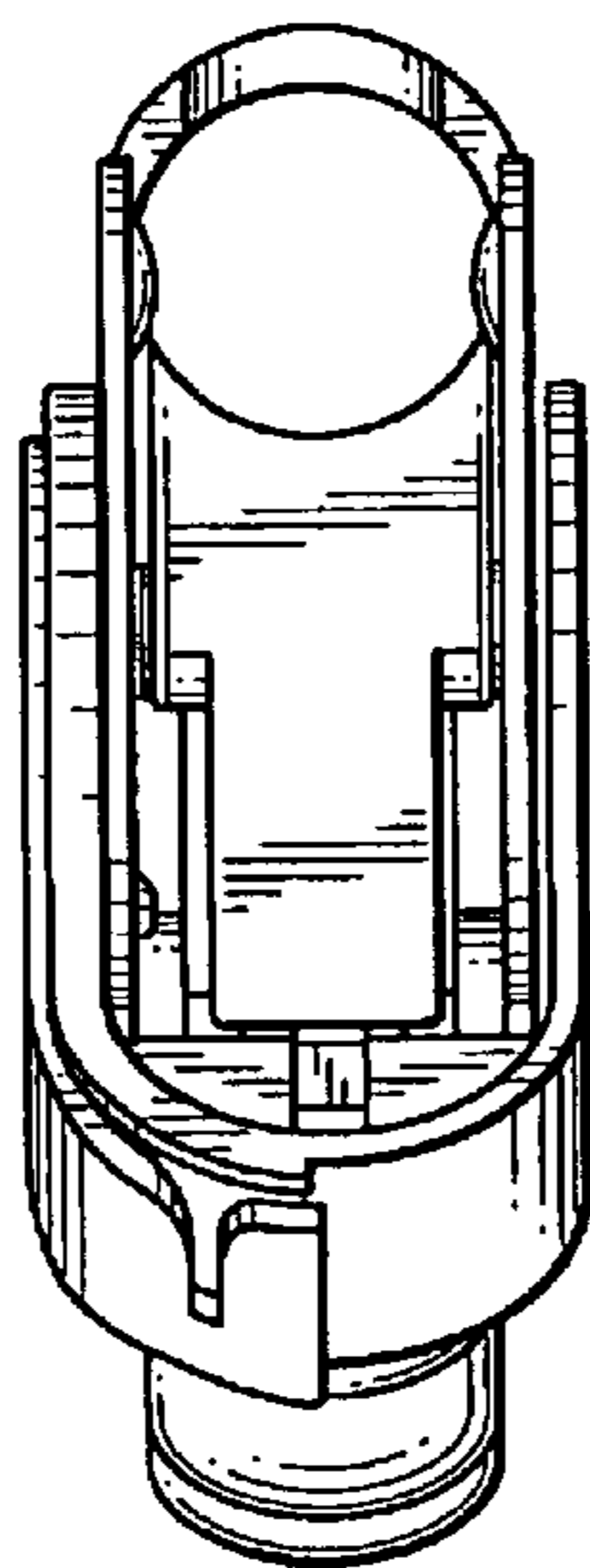


FIG. 5

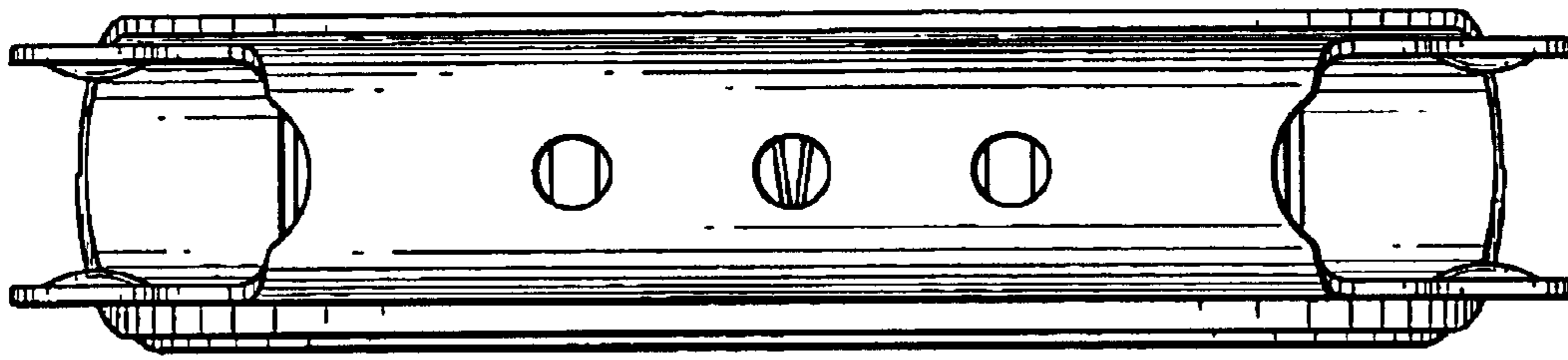


FIG. 6

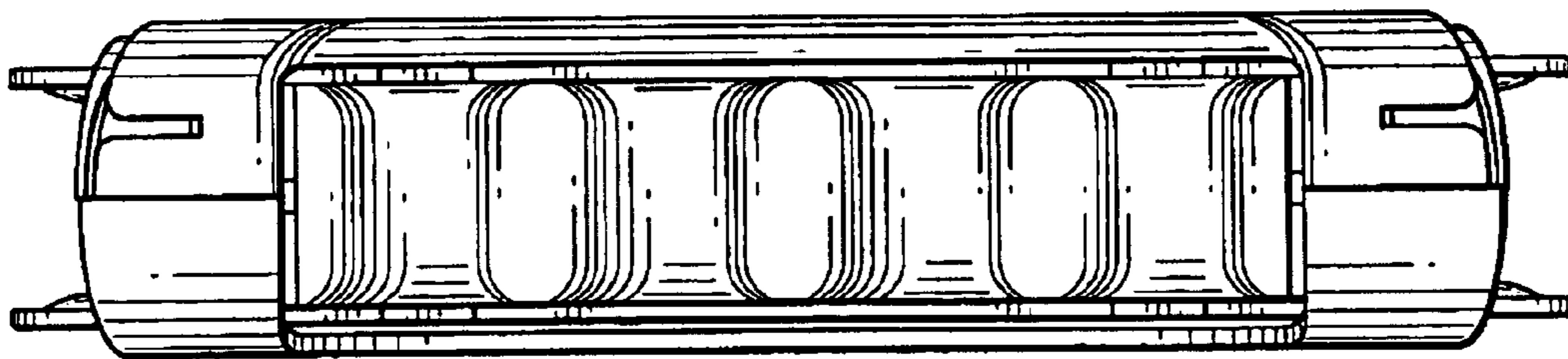


FIG. 7

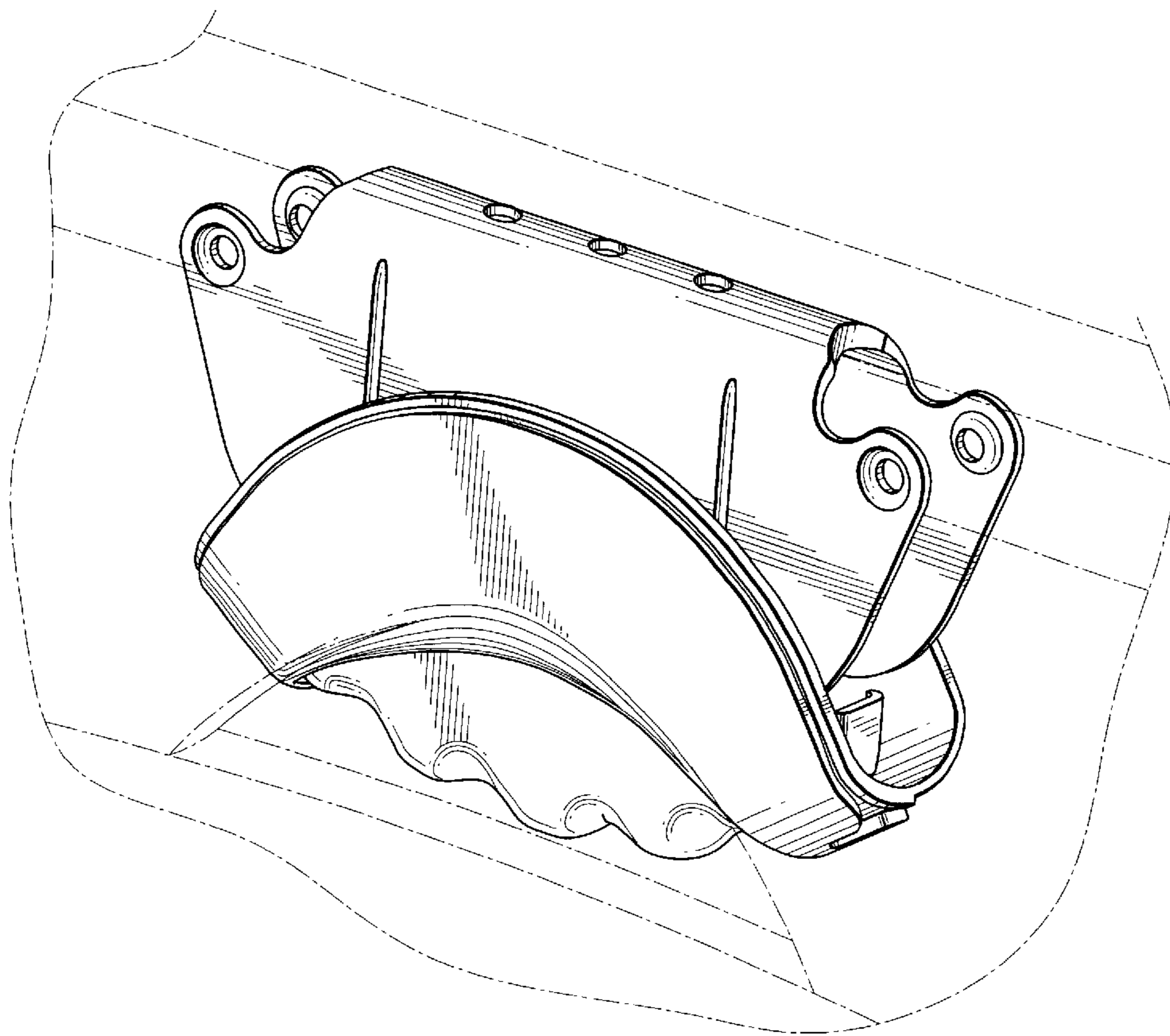


FIG. 8

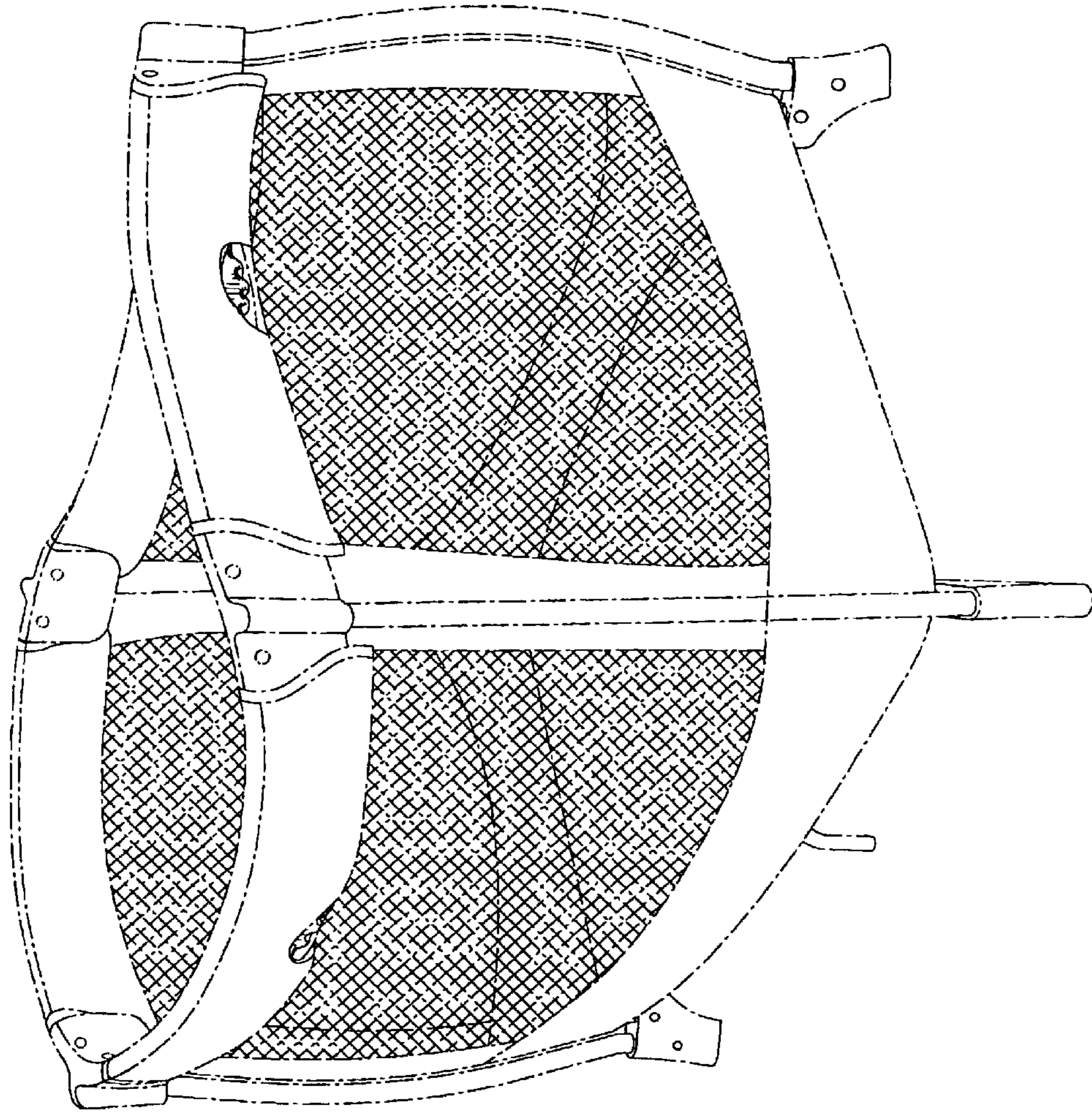


FIG. 9