



US00D517402S

(12) **United States Design Patent**
Cairns

(10) **Patent No.:** **US D517,402 S**

(45) **Date of Patent:** **** Mar. 21, 2006**

(54) **CURTAIN ROD SUPPORT BRACKET**

D494,050 S * 8/2004 Klein et al. D8/373

(75) **Inventor:** **Janice E. Cairns**, Woodstock, GA (US)

* cited by examiner

(73) **Assignee:** **Breeze Home Fashions, Inc.**,
Woodstock, GA (US)

Primary Examiner—Holly Baynham

(74) *Attorney, Agent, or Firm*—Michael J. Mehrman

(**) **Term:** **14 Years**

(57) **CLAIM**

The ornamental design for a curtain rod support bracket, as shown and described herein.

(21) **Appl. No.:** **29/213,292**

(22) **Filed:** **Sep. 15, 2004**

DESCRIPTION

(51) **LOC (8) Cl.** **08-05**

(52) **U.S. Cl.** **D8/381**

(58) **Field of Classification Search** D8/376,
D8/377, 367, 381, 380; D6/580; 248/262–263,
248/309.1, 235, 237, 247, 214–215

See application file for complete search history.

FIG. 1 is a perspective view of a curtain rod support bracket.

FIG. 2 is a front view of the curtain rod support bracket shown in FIG. 1.

FIG. 3 is a side view of the curtain rod support bracket shown in FIG. 1.

FIG. 4 is a rear view of the curtain rod support bracket shown in FIG. 1.

FIG. 5 is top view of the curtain rod support bracket shown in FIG. 1; and,

FIG. 6 is bottom view of the curtain rod support bracket shown in FIG. 1.

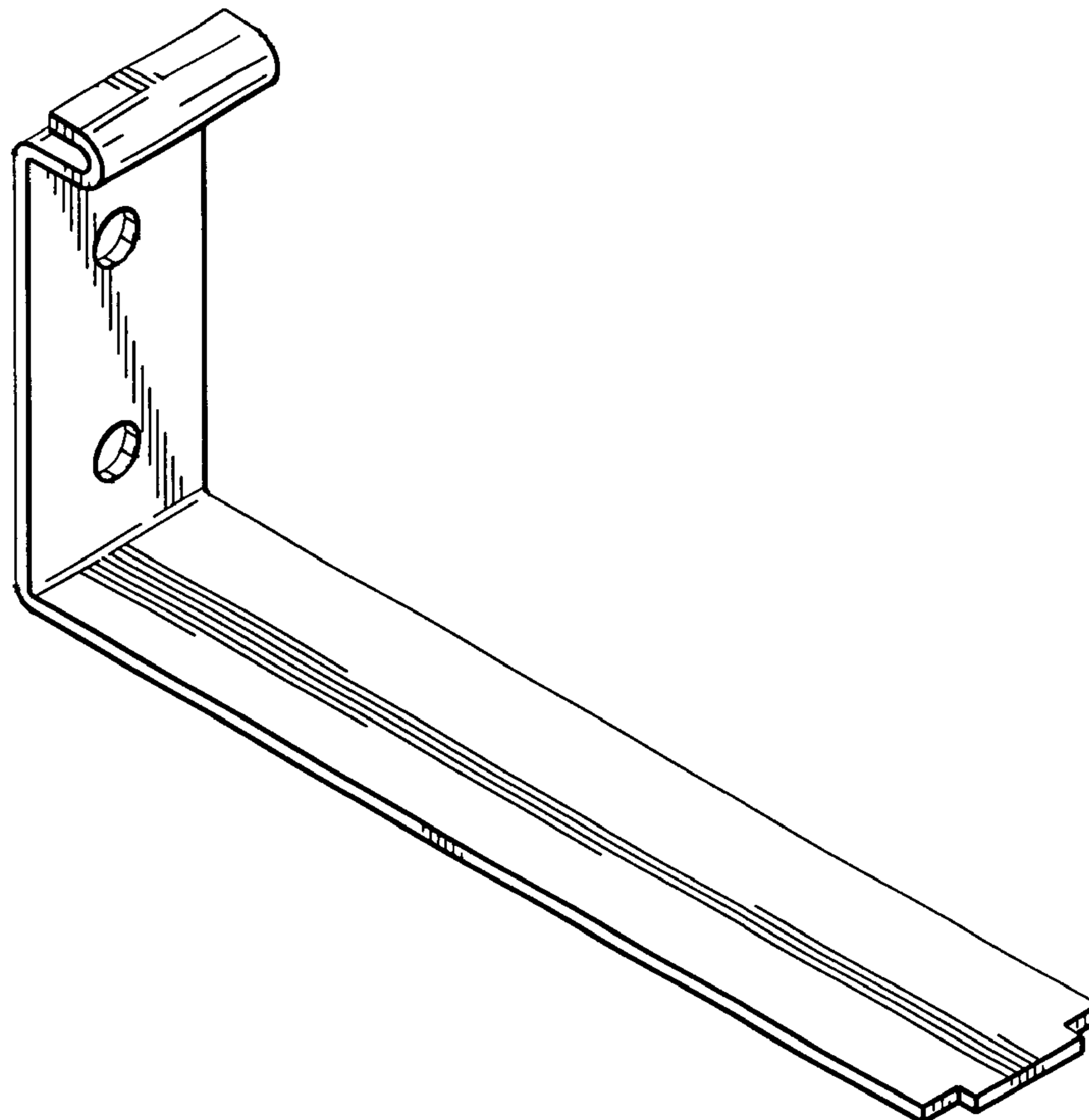
The broken lines do not form part of the claimed design.

(56) **References Cited**

U.S. PATENT DOCUMENTS

- 2,168,421 A * 8/1939 Reynolds et al. 248/263
- 2,859,879 A * 11/1958 Rogers et al. 211/90.01
- D285,410 S * 9/1986 Webber D8/363
- D329,372 S * 9/1992 Wilms D8/380
- 5,673,741 A 10/1997 Cairns

1 Claim, 2 Drawing Sheets



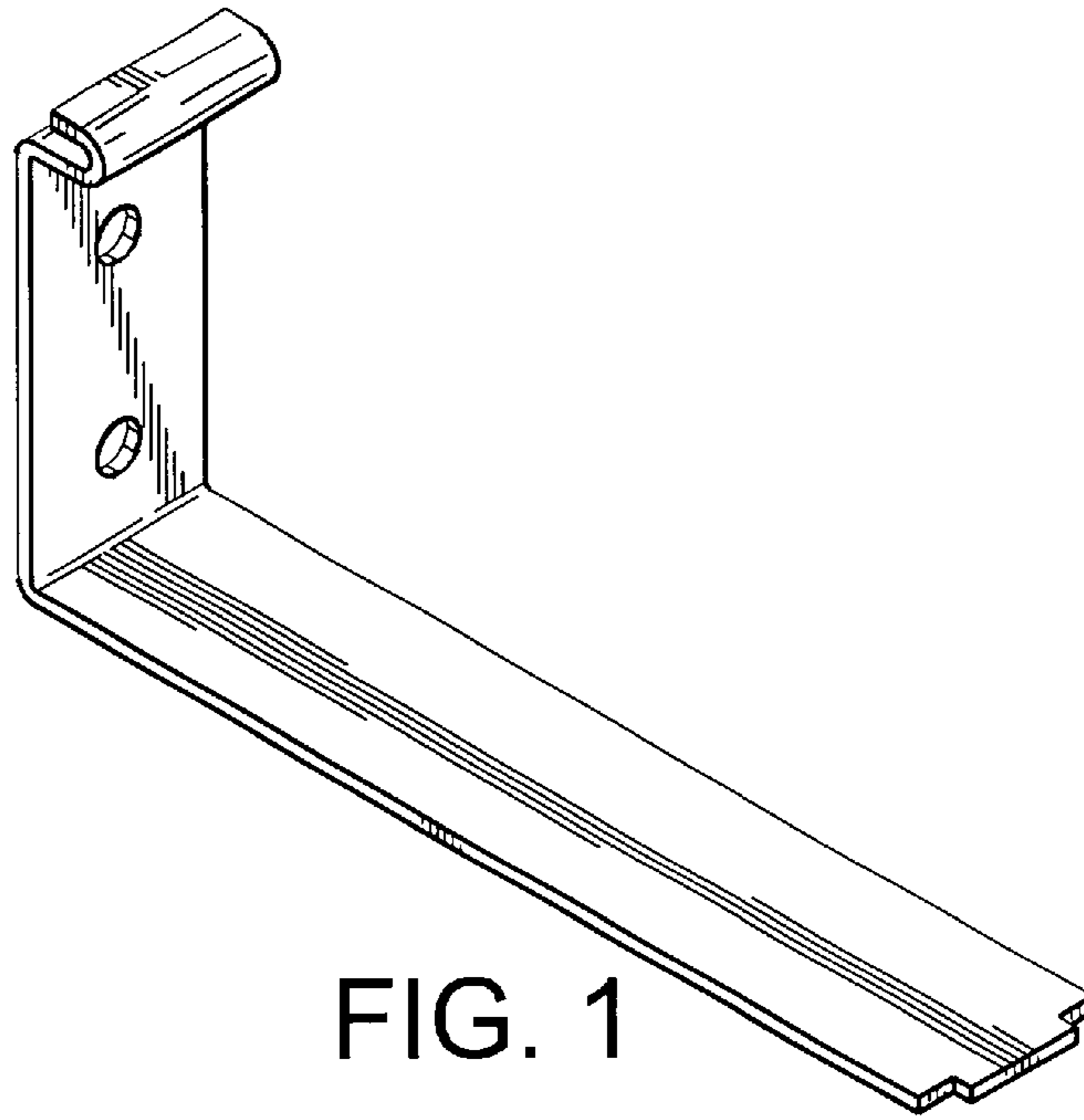


FIG. 1

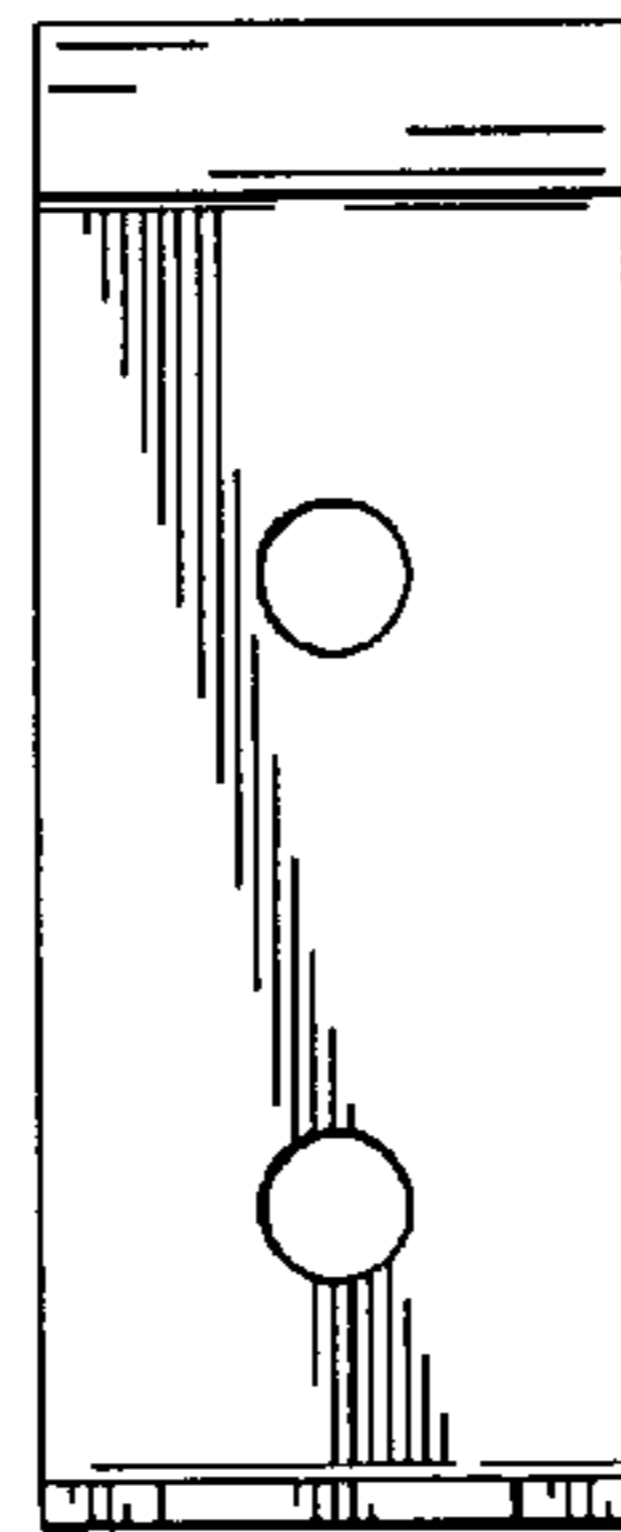


FIG. 2

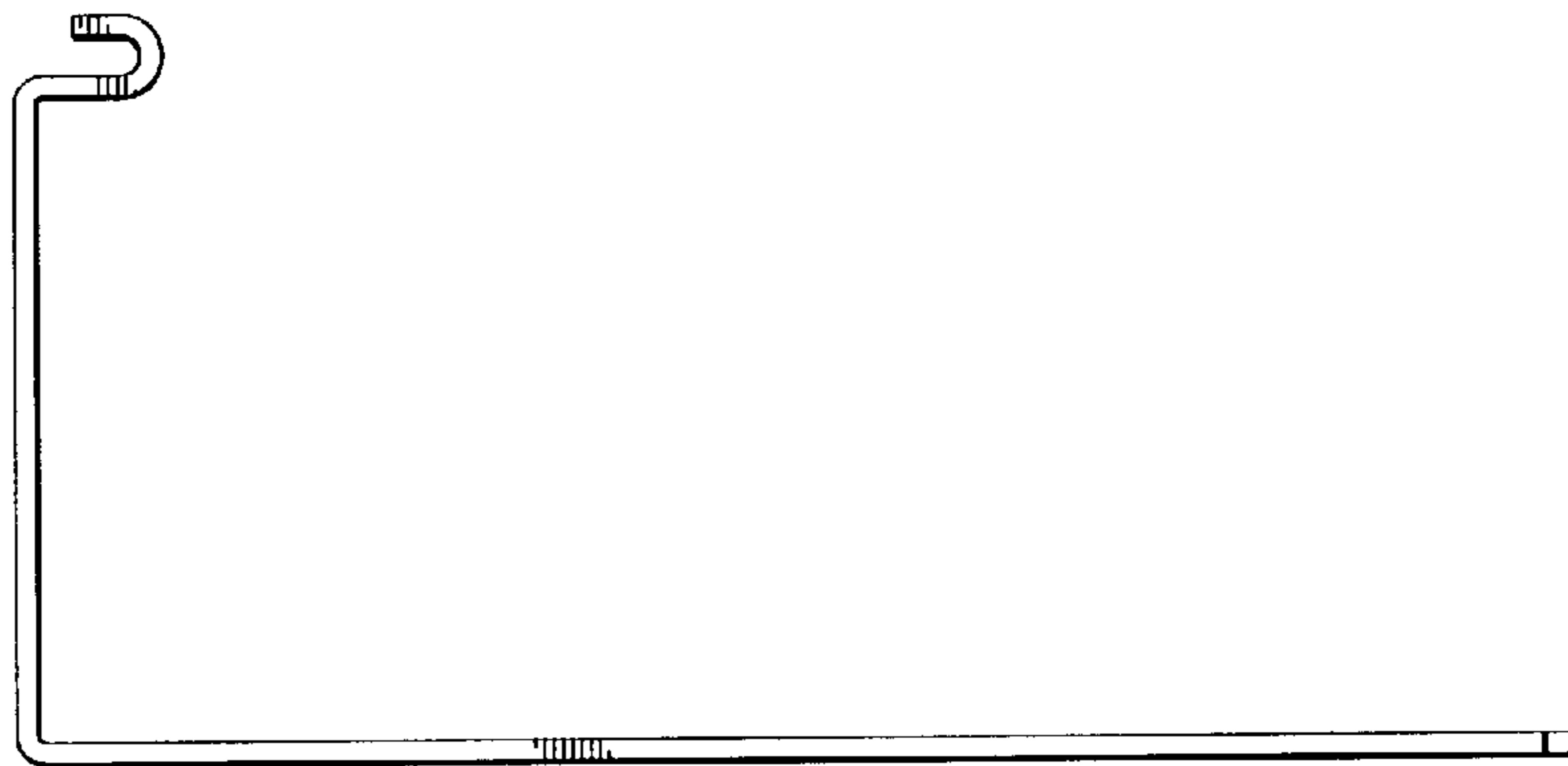


FIG. 3

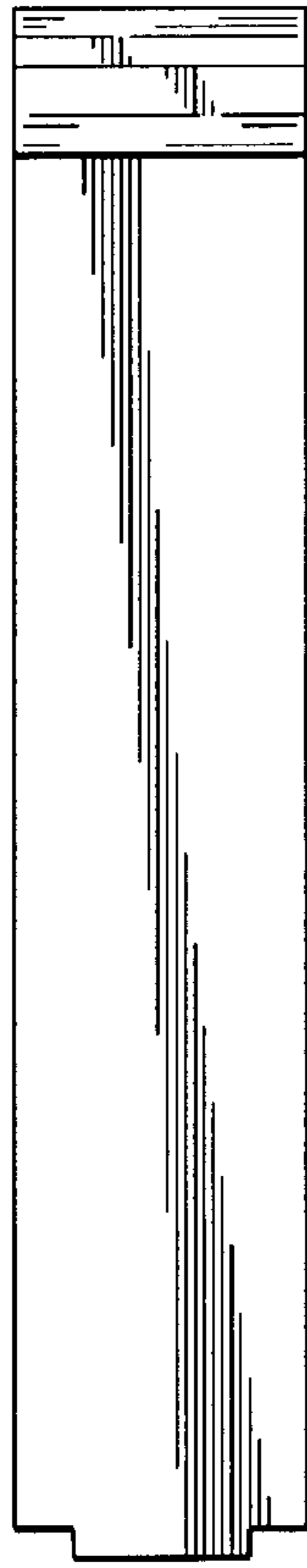


FIG. 4

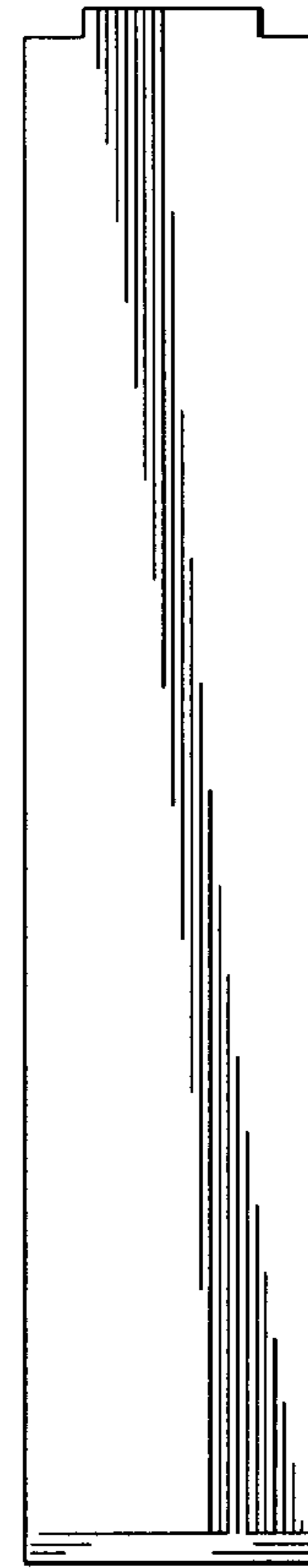


FIG. 5

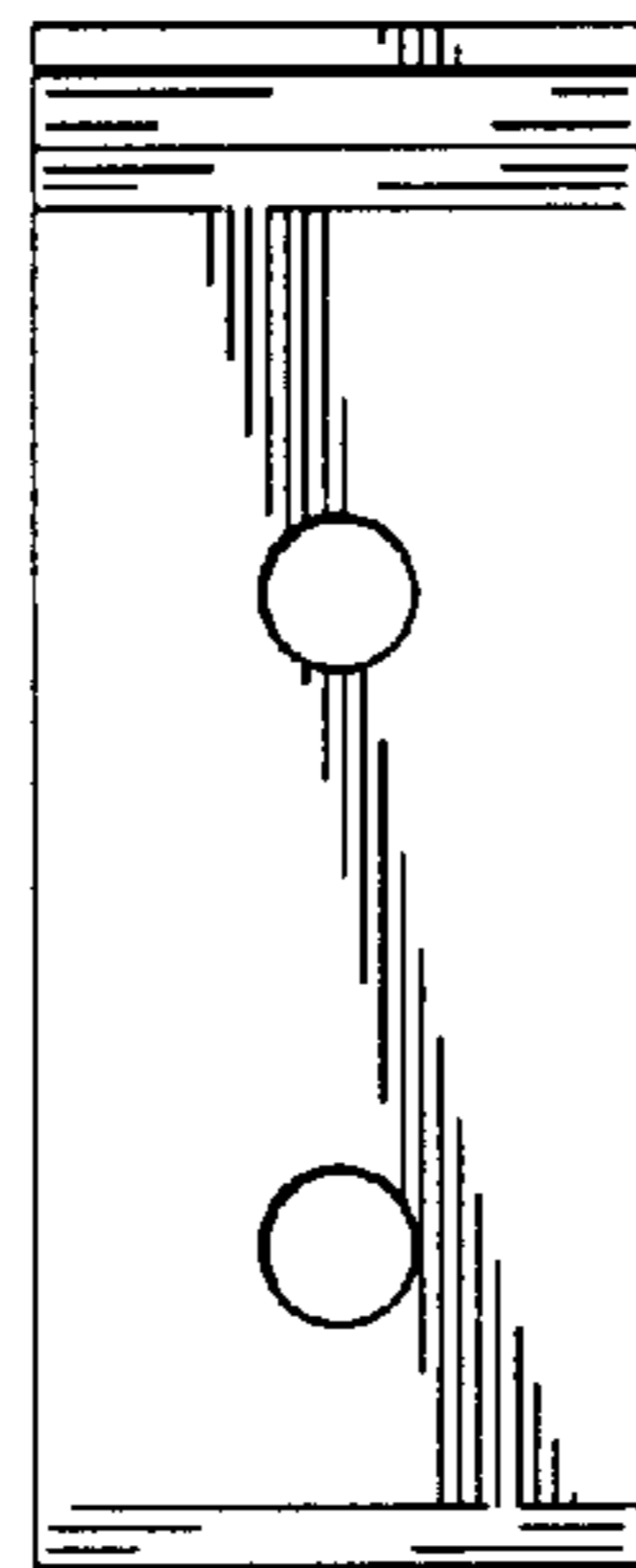


FIG. 6