



US00D517401S

(12) **United States Design Patent**
Carnevali

(10) **Patent No.:** **US D517,401 S**
(45) **Date of Patent:** **** Mar. 21, 2006**

- (54) **SELF-LEVELING ADAPTOR**
- (76) Inventor: **Jeffrey D. Carnevali**, 5957 Beach Dr. SW., Seattle, WA (US) 98136
- (**) Term: **14 Years**
- (21) Appl. No.: **29/227,559**
- (22) Filed: **Apr. 13, 2005**

D133,106 S * 7/1942 Phillips D8/374
 2,893,164 A * 7/1959 Martin 248/188.2
 D371,958 S * 7/1996 Keaton D8/374

* cited by examiner

Primary Examiner—Holly H. Baynham
(74) *Attorney, Agent, or Firm*—Charles J. Rupnick

Related U.S. Application Data

- (62) Division of application No. 11/087,184, filed on Mar. 22, 2005.
- (51) **LOC (8) Cl.** **08-05**
- (52) **U.S. Cl.** **D8/374**
- (58) **Field of Classification Search** D8/374;
248/188.1, 188.2, 188.8, 188.9
See application file for complete search history.

(57) **CLAIM**

I claim the ornamental design for a self-leveling adaptor, as shown and described.

DESCRIPTION

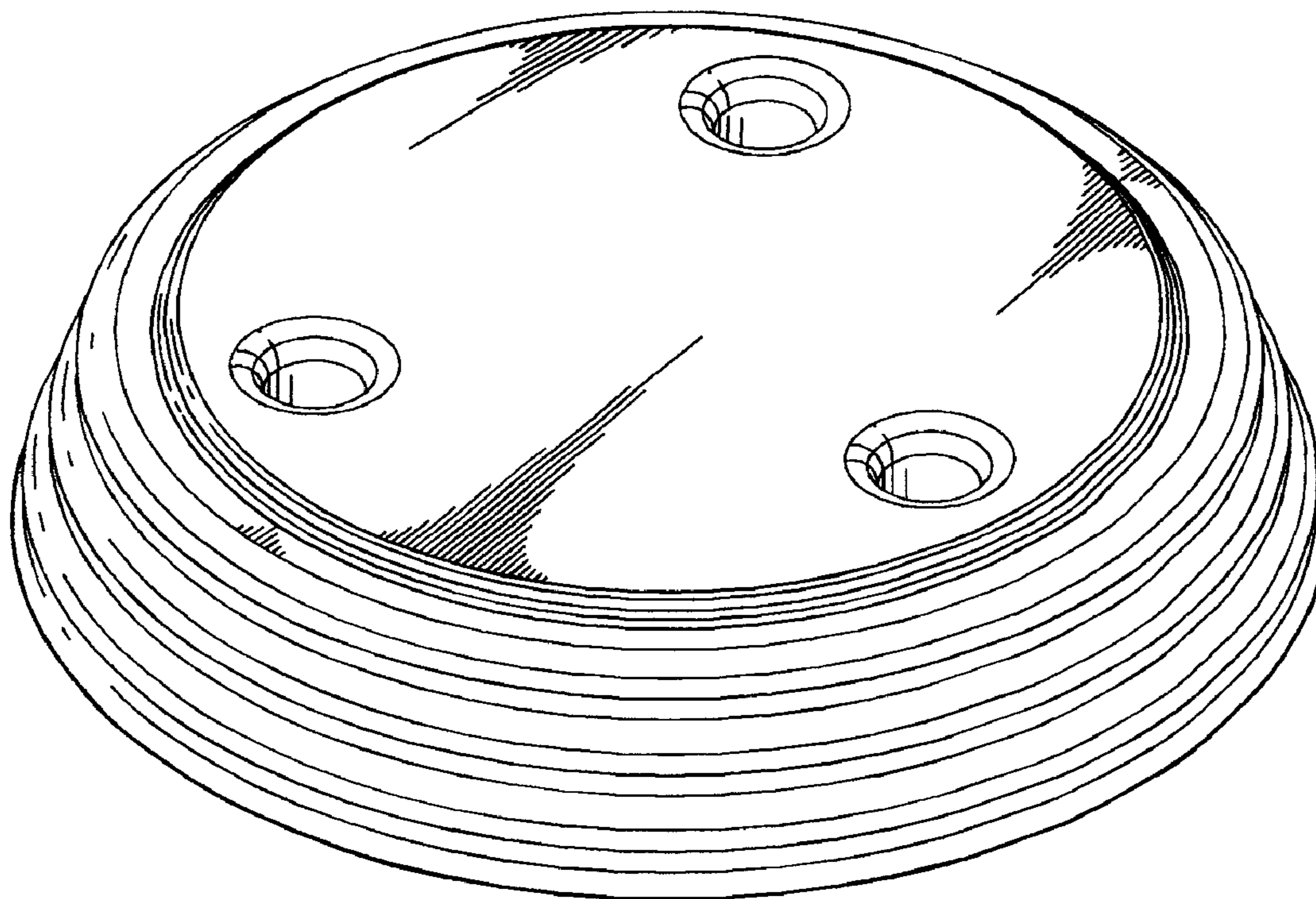
FIG. 1 is a perspective view showing top and side portions of our new design;
 FIG. 2 is a front elevational view thereof;
 FIG. 3 is a top plan view thereof;
 FIG. 4 is a side cross-section view thereof taken along line 4—4 of FIG. 3; and,
 FIG. 5 is a bottom plan view thereof.

(56) **References Cited**

U.S. PATENT DOCUMENTS

D44,996 S * 12/1913 Buser D8/374

1 Claim, 3 Drawing Sheets



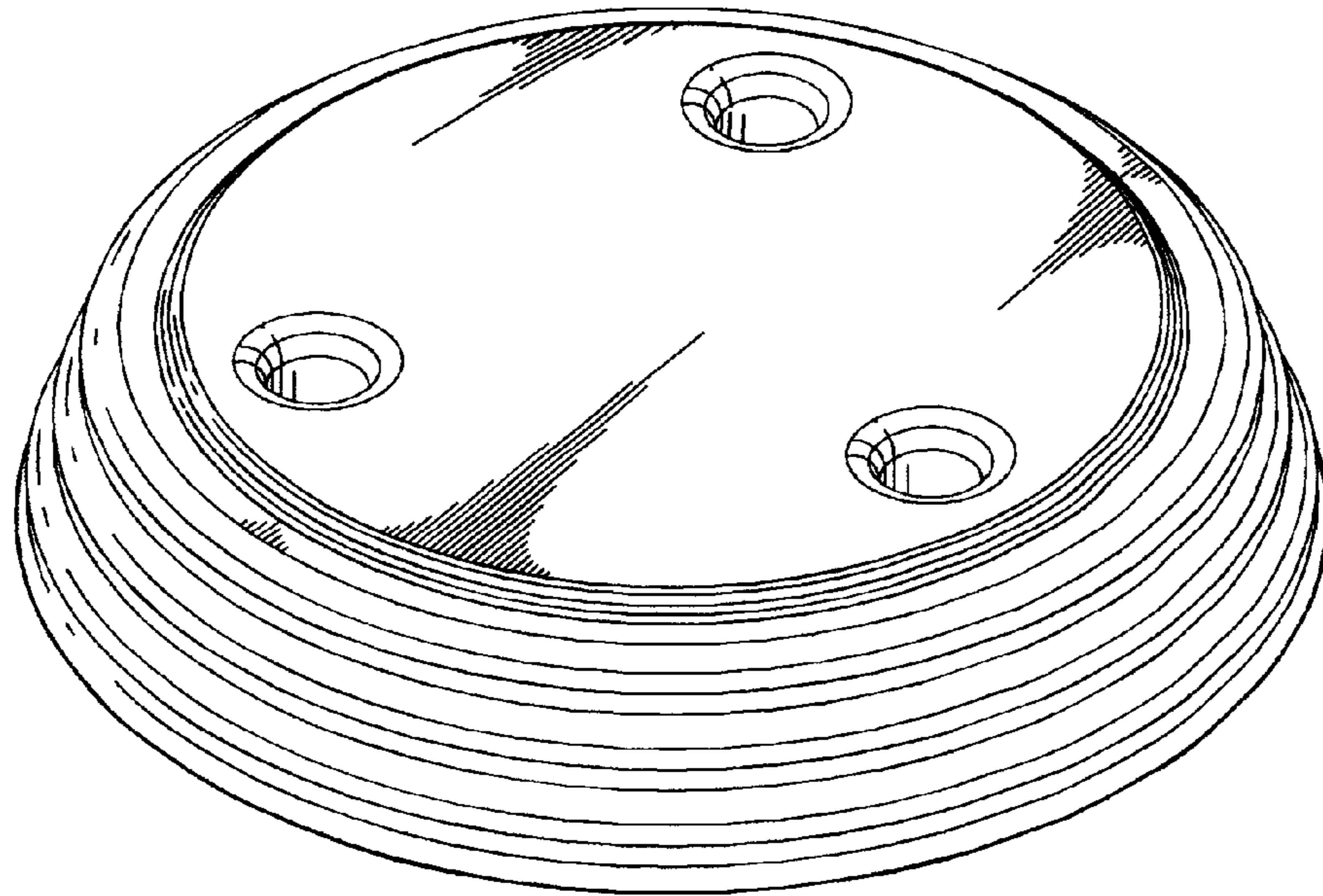


FIG. 1

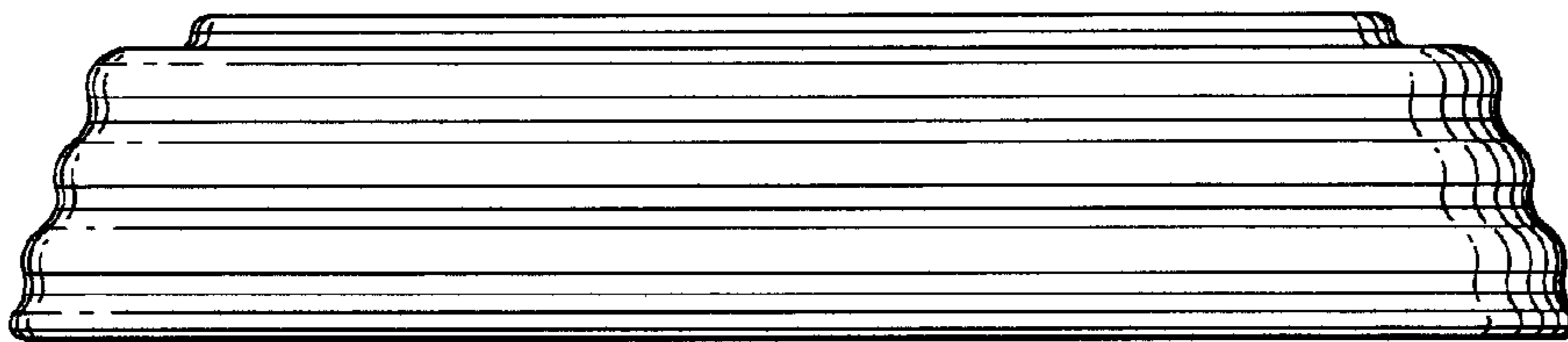


FIG. 2

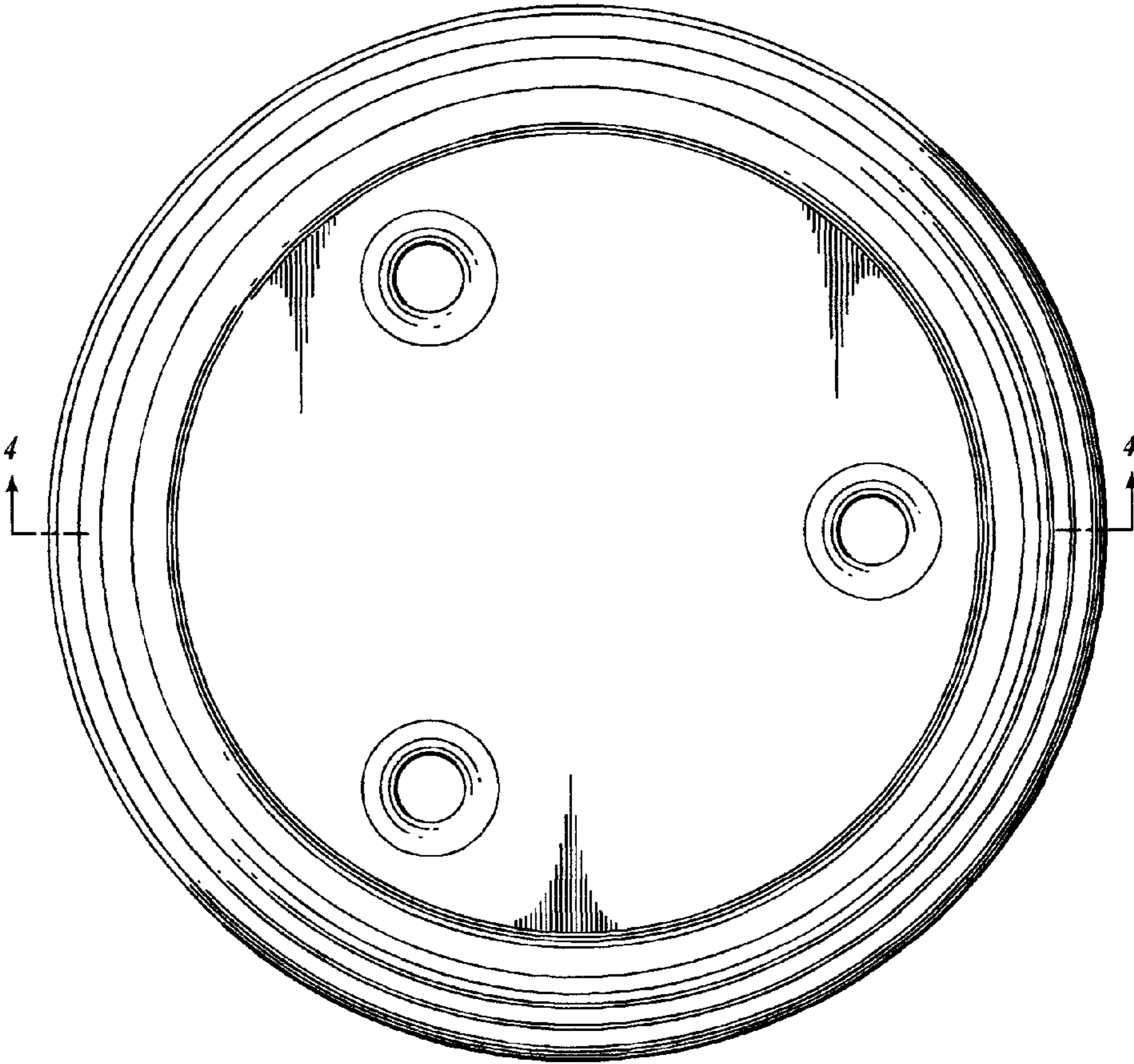


FIG. 3

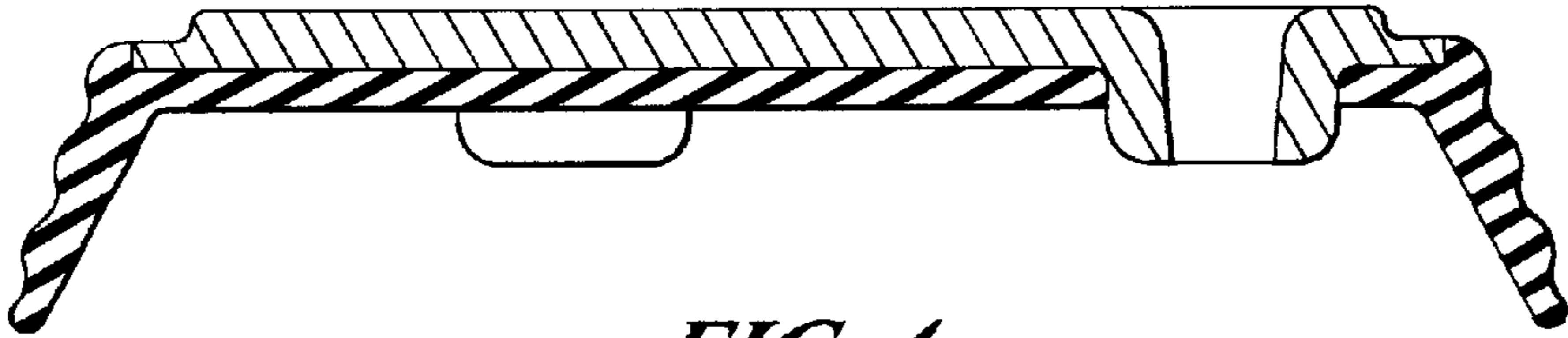


FIG. 4

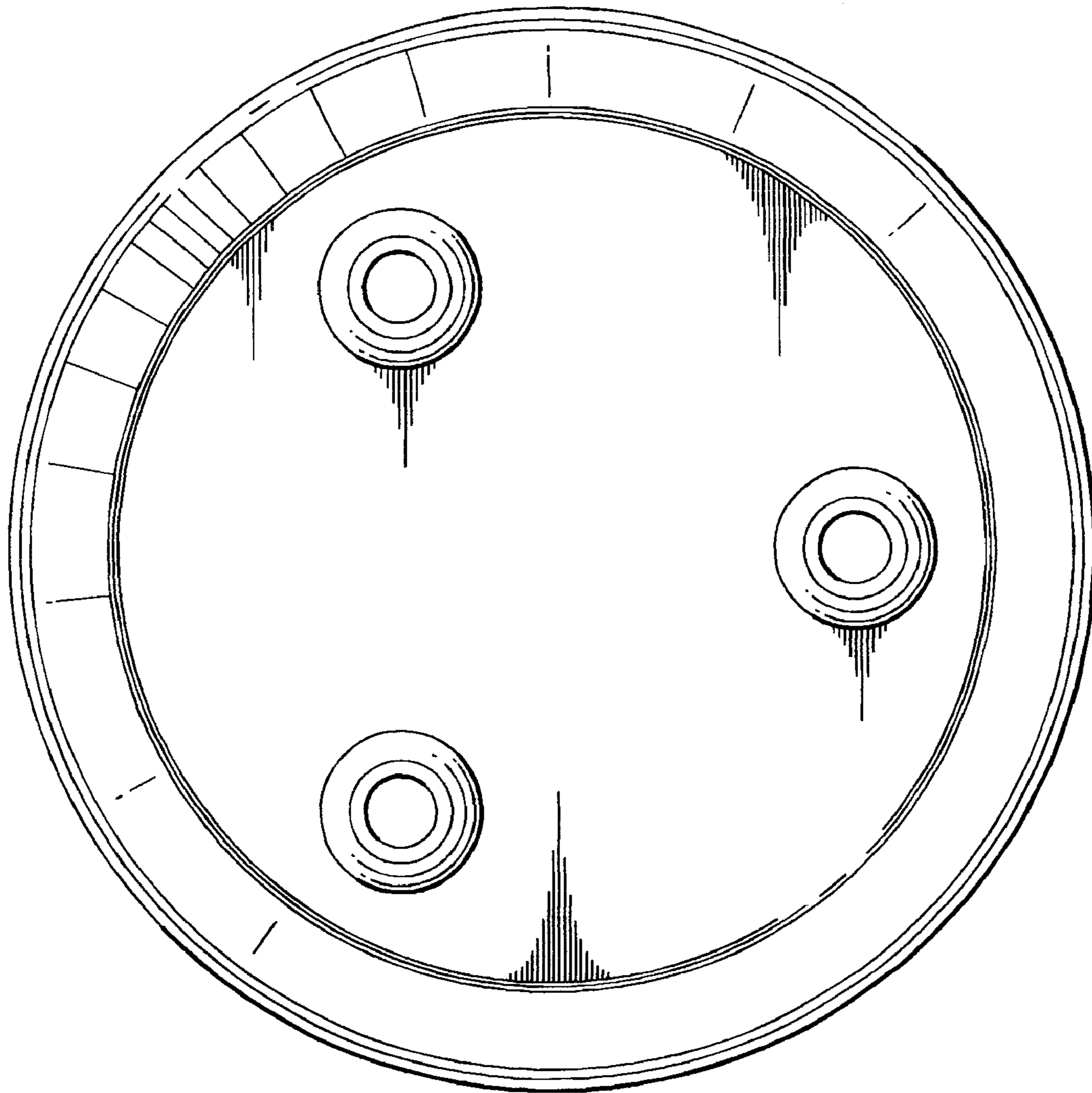


FIG. 5