



US00D517400S

(12) **United States Design Patent**
Hoernig

(10) **Patent No.:** **US D517,400 S**
(45) **Date of Patent:** **** Mar. 21, 2006**

(54) **HOOK**

(75) Inventor: **Victor Hoernig**, Lowell, IN (US)

(73) Assignee: **Brasstech, Inc.**, Santa Ana, CA (US)

(**) Term: **14 Years**

(21) Appl. No.: **29/224,591**

(22) Filed: **Mar. 3, 2005**

(51) **LOC (8) Cl.** **08-05**

(52) **U.S. Cl.** **D8/367**

(58) **Field of Classification Search** D8/367,
D8/373; 248/301, 304, 214-215
See application file for complete search history.

(56) **References Cited**

U.S. PATENT DOCUMENTS

D241,206 S	*	8/1976	Halsted et al.	D6/323
D312,959 S	*	12/1990	Hamann	D8/367
D343,112 S	*	1/1994	Corbin	D8/367
D443,503 S	*	6/2001	Harvey	D8/367

D495,589 S * 9/2004 Goodman et al. D8/367

* cited by examiner

Primary Examiner—Holly H. Baynham

(74) *Attorney, Agent, or Firm*—Kwadjo Adusei-Poku;
Lloyd D. Doigan

(57) **CLAIM**

The ornamental design for a hook, as shown and described.

DESCRIPTION

FIG. 1 is a front perspective view of a hook showing my design;

FIG. 2 is a left side elevational view thereof;

FIG. 3 is a right side elevational view thereof;

FIG. 4 is a top plan view thereof;

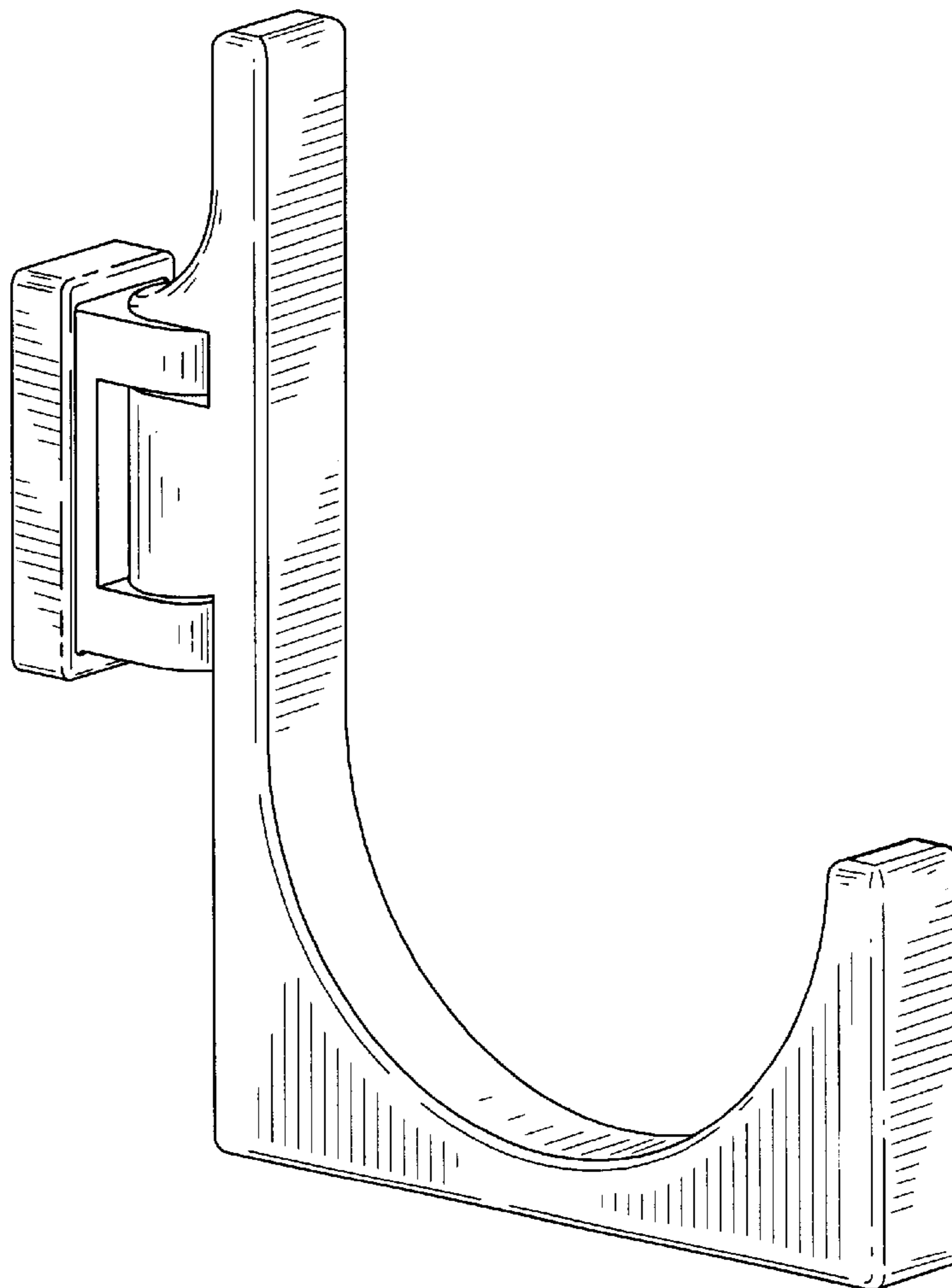
FIG. 5 is a bottom plan view thereof;

FIG. 6 is a front elevational view thereof; and,

FIG. 7 is a rear elevational view thereof.

The broken lines in the Figures are for illustrative purposes only and form no part of the claimed design.

1 Claim, 7 Drawing Sheets



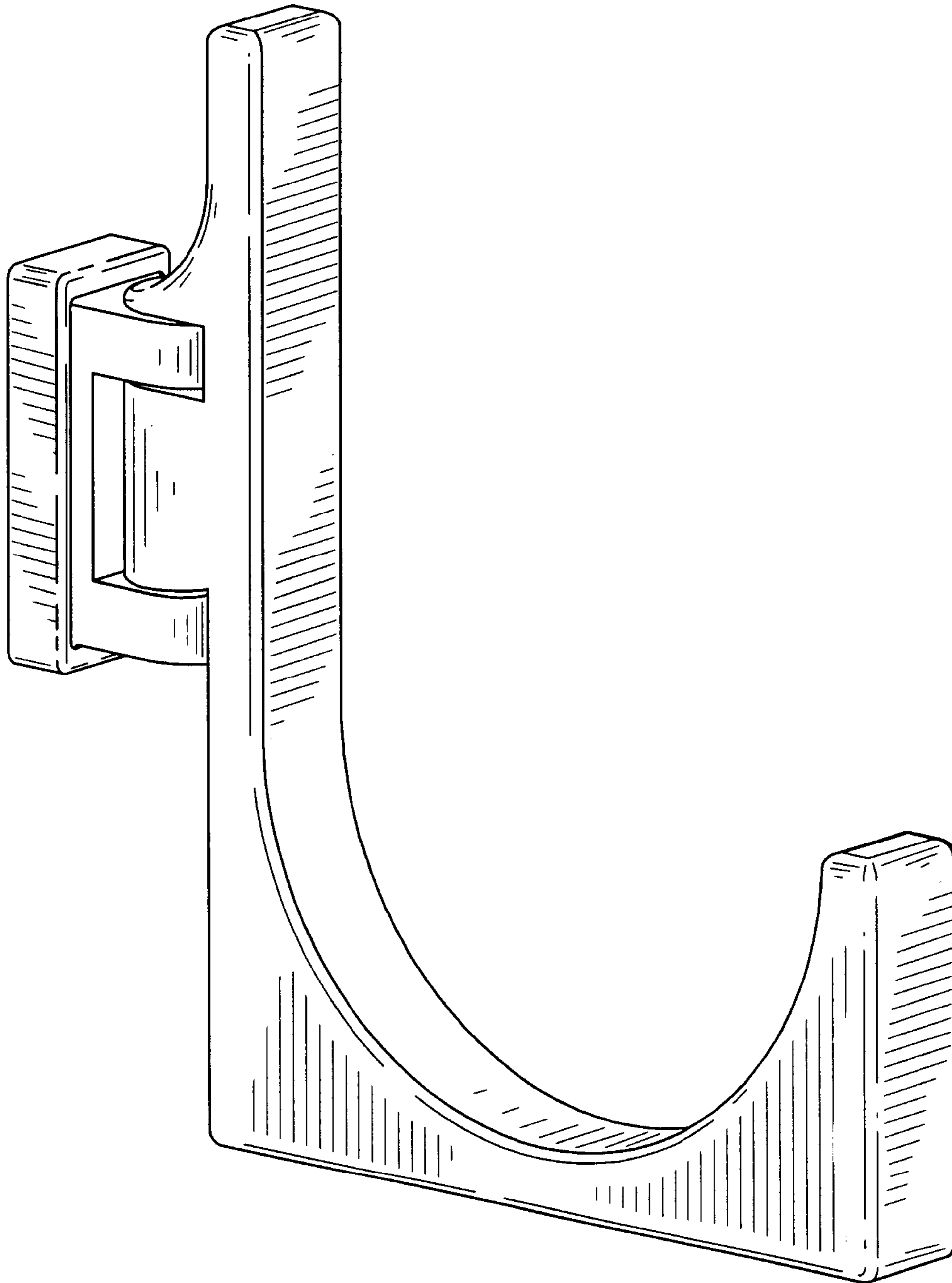


FIG. 1

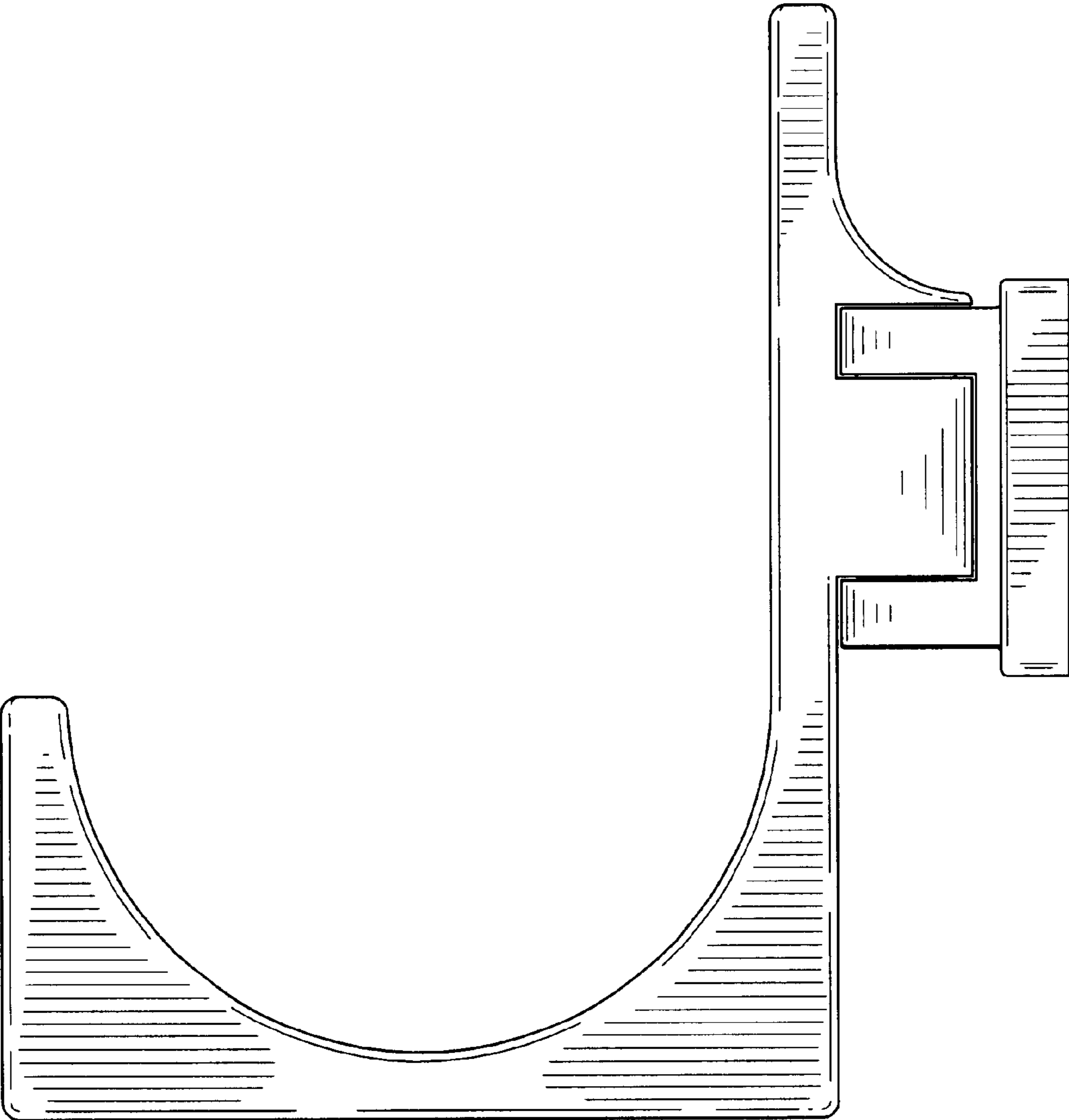


FIG. 2

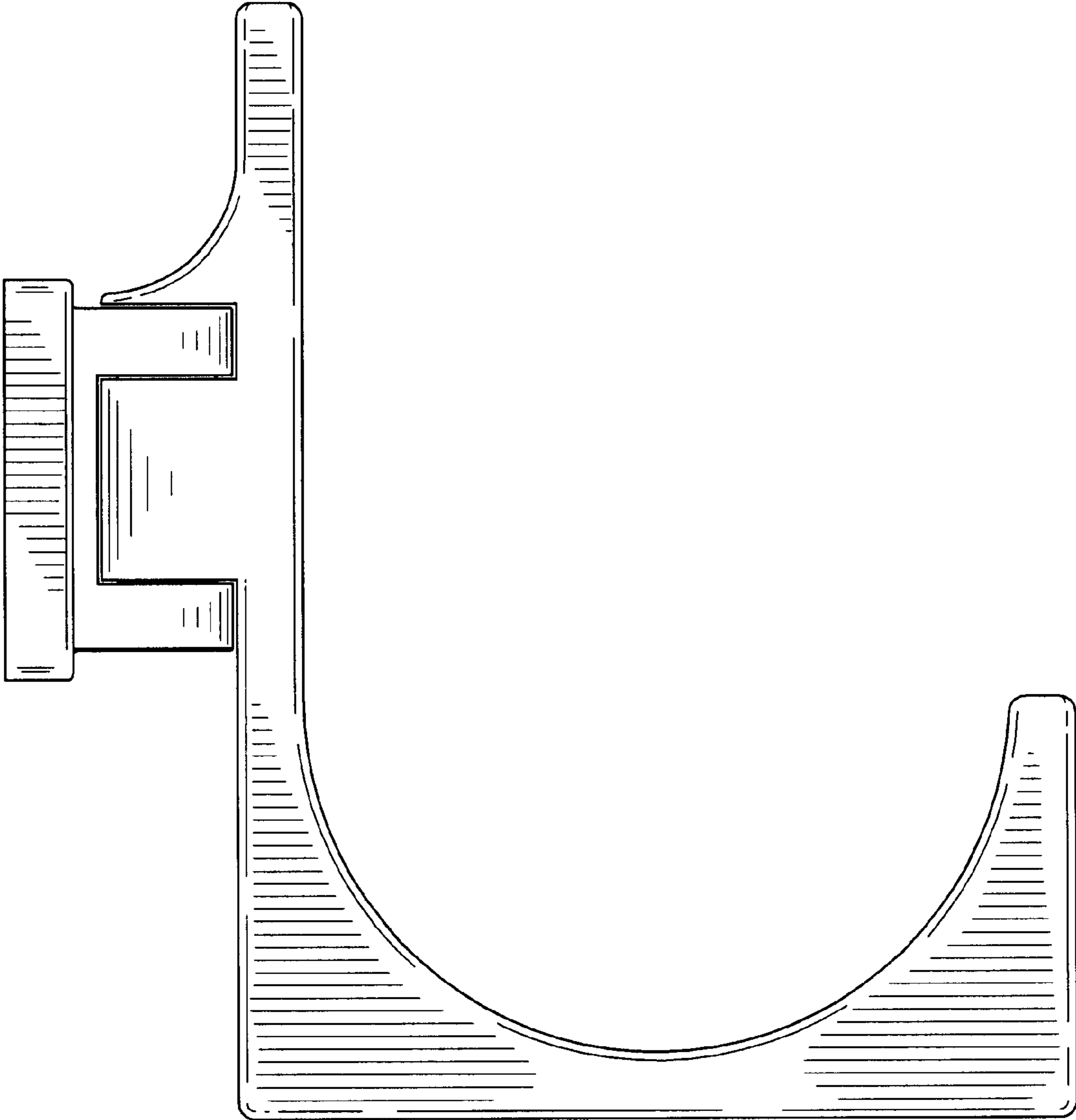


FIG. 3

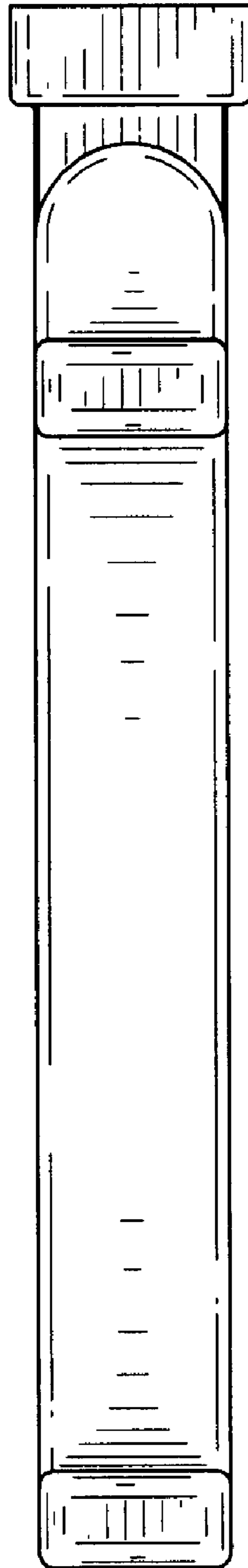


FIG. 4

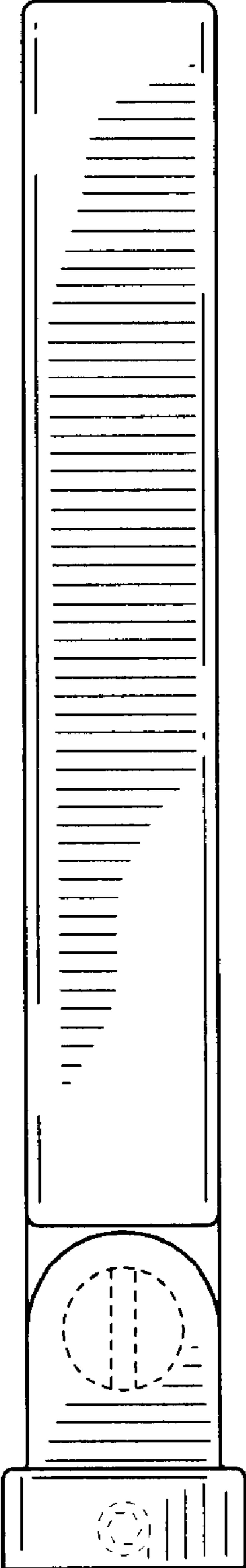


FIG. 5

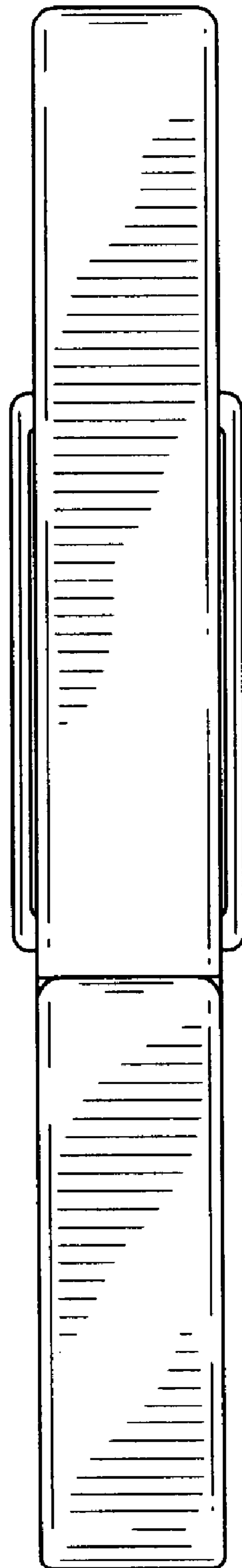


FIG. 6

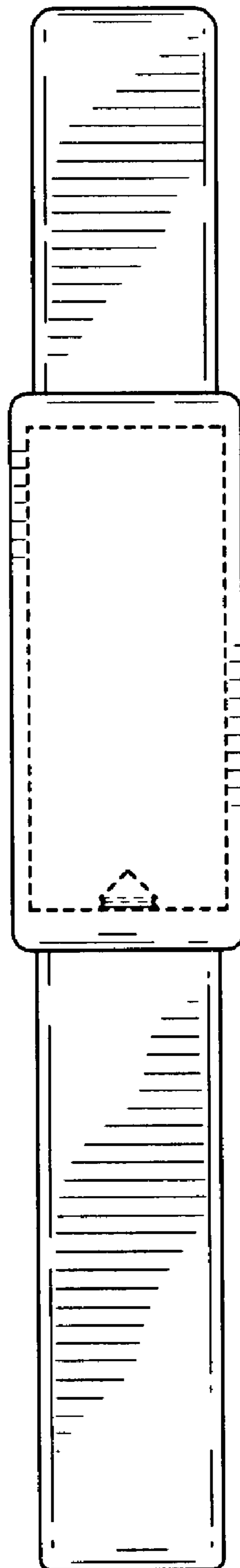


FIG. 7