



US00D517397S

(12) **United States Design Patent**
Kim

(10) **Patent No.:** **US D517,397 S**
(45) **Date of Patent:** **** Mar. 21, 2006**

- (54) **KEY**
- (76) **Inventor:** **Jung Kyu Kim**, 1223-6,
Sankyeok-4Dong, Buk-Ku, Taegu
702-014 (KR)
- (**) **Term:** **14 Years**
- (21) **Appl. No.:** **29/214,713**
- (22) **Filed:** **Oct. 8, 2004**
- (51) **LOC (8) Cl.** **08-07**
- (52) **U.S. Cl.** **D8/347**
- (58) **Field of Classification Search** D8/347,
D8/343, 330; 70/51, 393, 401, 402, 405-408,
70/460, 336, 346-344, 285, 371, 277
See application file for complete search history.

- 6,094,954 A * 8/2000 Carmen 70/408
- D439,134 S * 3/2001 Almblad D8/347
- D491,788 S * 6/2004 Kim D8/347
- D492,574 S * 7/2004 Asmerian D8/347

* cited by examiner

Primary Examiner—Prabhakar Deshmukh
(74) *Attorney, Agent, or Firm*—Park & Sutton LLP; John
K. Park

(57) **CLAIM**

The ornamental design for a key, as shown and described.

DESCRIPTION

FIG. 1 is a perspective view of a key showing my new design;
FIG. 2 is another perspective view of the key;
FIG. 3 is a top plan view thereof;
FIG. 4 is a left side view thereof;
FIG. 5 is a rear elevational view thereof;
FIG. 6 is a right side view thereof;
FIG. 7 is a bottom side view thereof;
FIG. 8 is a front elevational view thereof; and,
FIG. 9 is an enlarged right side view thereof.
The broken lines are for illustrative purpose only and form
no part of the claimed design.

(56) **References Cited**
U.S. PATENT DOCUMENTS

- 3,349,589 A * 10/1967 Fricke 70/395
- D252,732 S * 8/1979 Price D8/347
- D307,863 S * 5/1990 Boag D8/347
- 5,311,757 A * 5/1994 Spahn 70/408
- 5,433,096 A * 7/1995 Janssen et al. 70/278.3
- 5,442,943 A * 8/1995 Schremmer et al. 70/252
- 5,615,565 A * 4/1997 Field 70/409
- 5,943,890 A * 8/1999 Field et al. 70/493

1 Claim, 3 Drawing Sheets

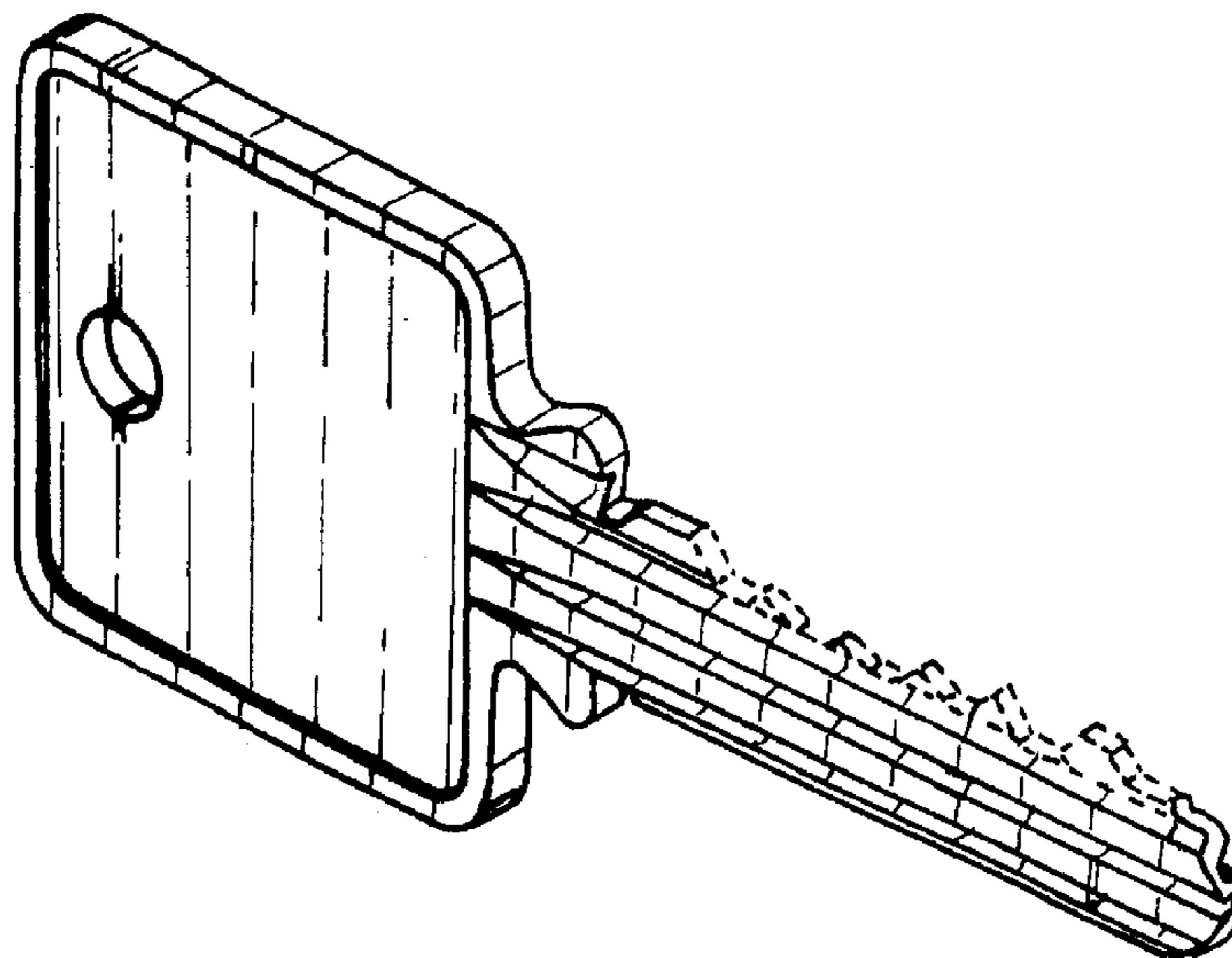


FIG. 1

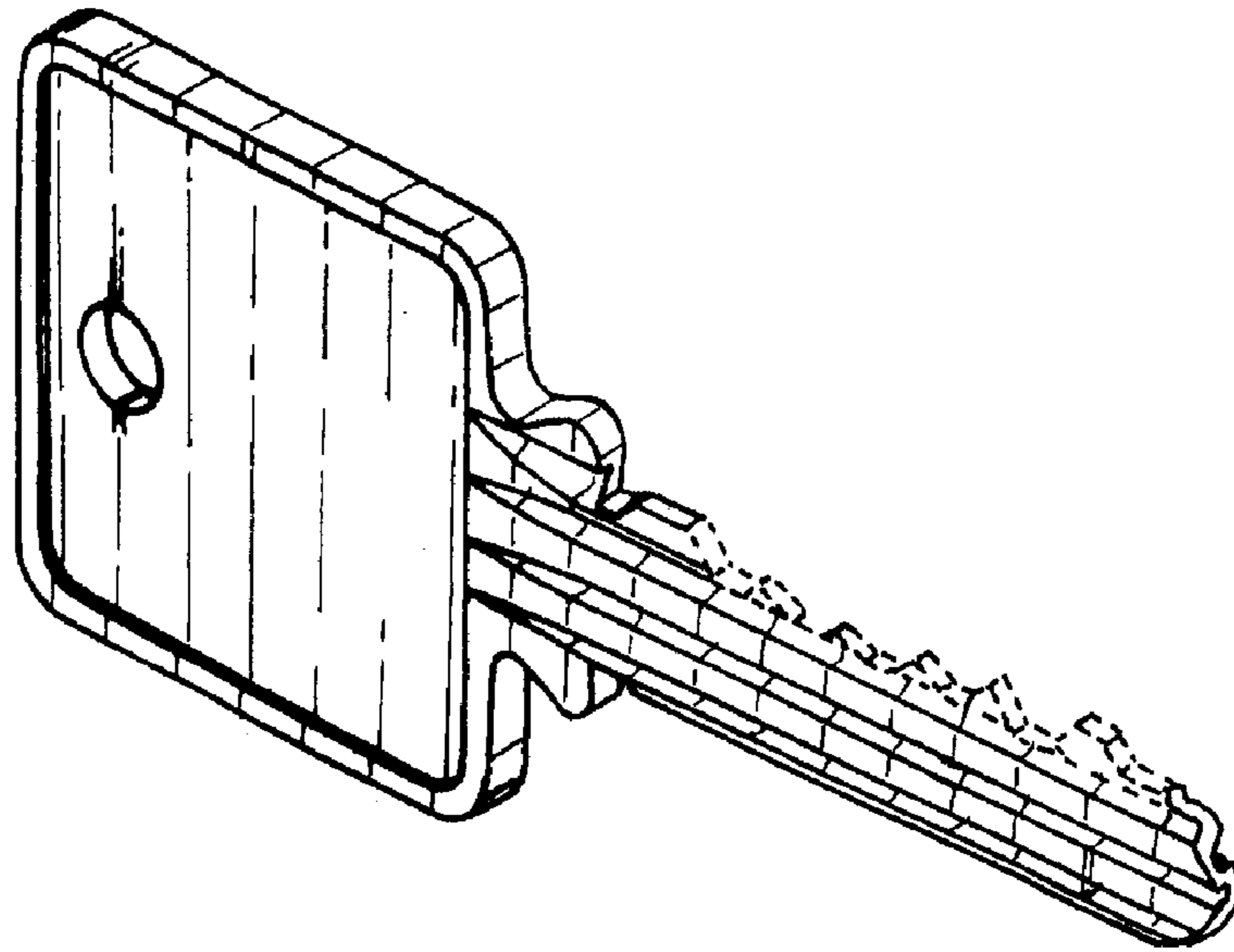


FIG. 2

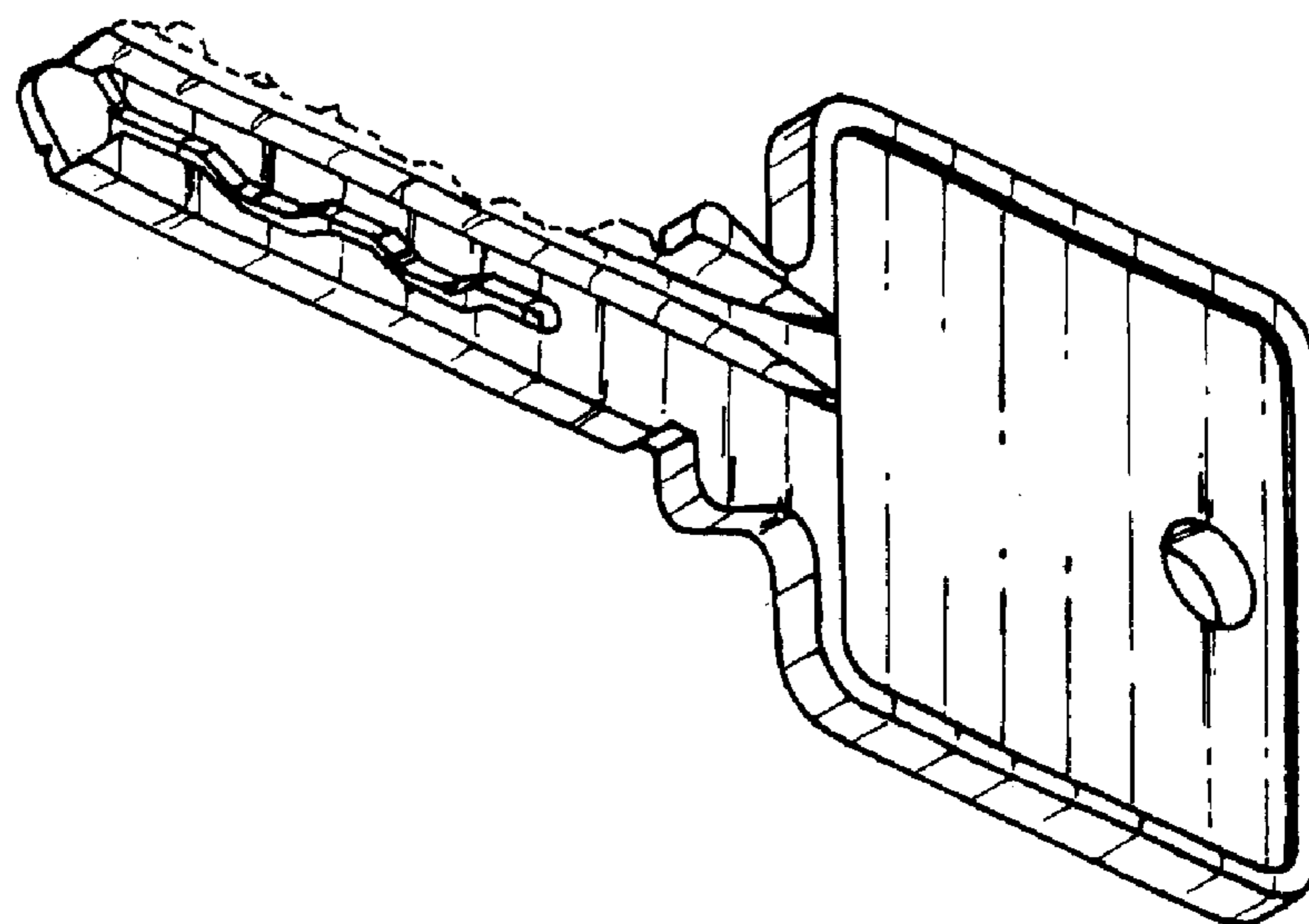


FIG. 3



FIG. 4



FIG. 5

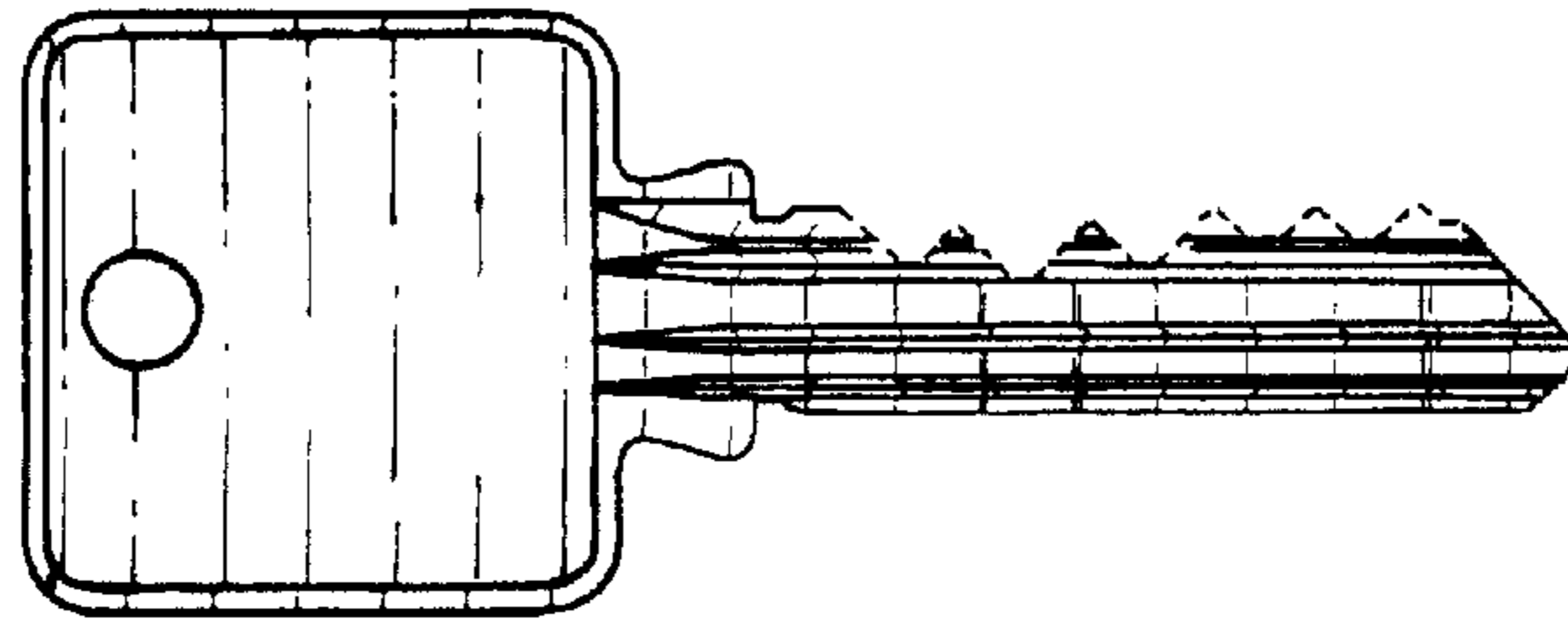


FIG. 6



FIG. 7



FIG. 8

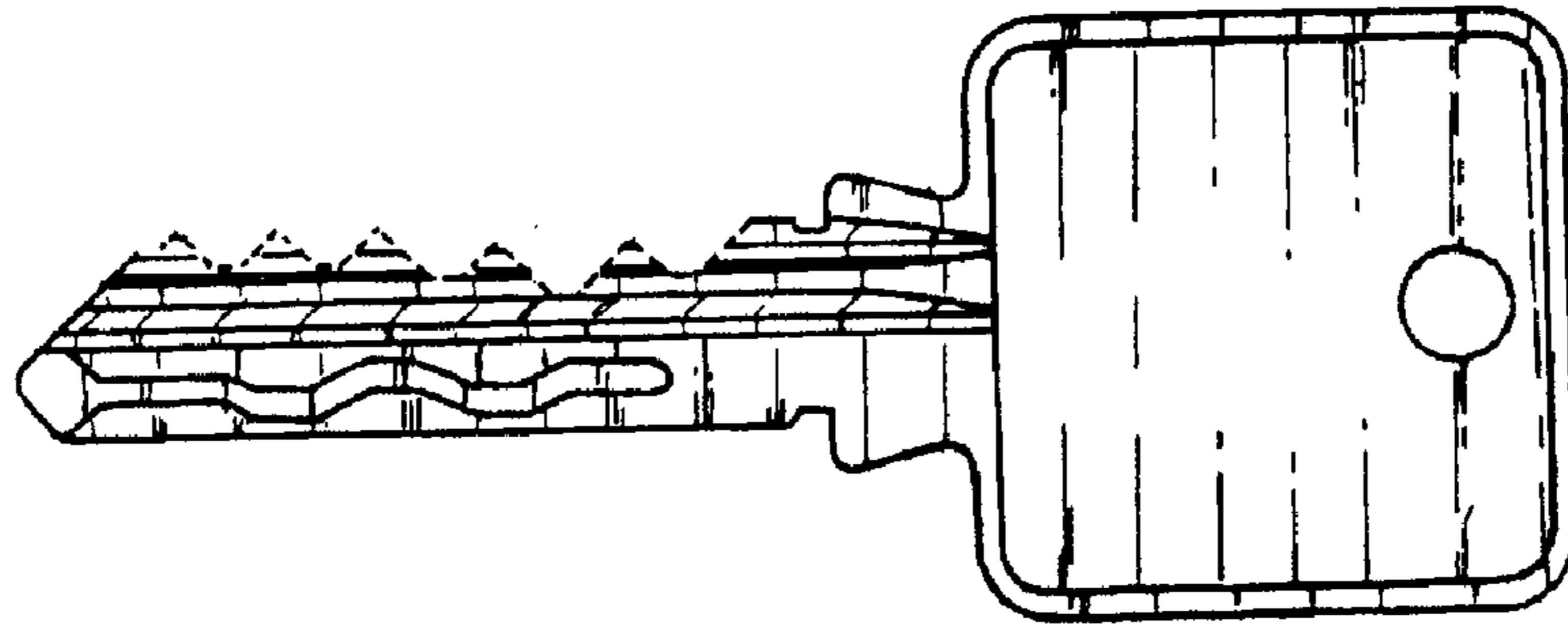


FIG. 9

