



US00D517395S

(12) **United States Design Patent**
Alchin

(10) **Patent No.: US D517,395 S**
(45) **Date of Patent: ** Mar. 21, 2006**

(54) **DOOR LOCK HANDLE BODY AND STRIKER**

(75) Inventor: **Michael B. Alchin**, Mittagong (AU)

(73) Assignee: **Azuma Pty Ltd, ACN**, Wetherill Park (AU)

(**) Term: **14 Years**

(21) Appl. No.: **29/179,512**

(22) Filed: **Apr. 9, 2003**

(30) **Foreign Application Priority Data**

Oct. 9, 2002 (AU) 3145/2002

(51) **LOC (8) Cl.** **08-07**

(52) **U.S. Cl.** **D8/330; D8/302**

(58) **Field of Classification Search** D8/330,
D8/331, 300-302, 343, 350, 352, 310, 400;
70/51, 91, 141, 207, 224, 445; 292/342, 348
See application file for complete search history.

(56) **References Cited**

U.S. PATENT DOCUMENTS

4,420,178 A * 12/1983 Taylor et al. 294/158

D281,665 S * 12/1985 Weinerman et al. D8/302
5,490,404 A * 2/1996 Yamada 70/210
D368,636 S * 4/1996 Planka et al. D8/300
D424,403 S * 5/2000 Workman et al. D8/320
D433,916 S * 11/2000 Frey D8/302
6,502,435 B1 * 1/2003 Watts et al. 70/95
6,637,785 B1 * 10/2003 Sugimoto 292/336.3
6,748,773 B1 * 6/2004 Alchin et al. 70/99
D494,447 S * 8/2004 Linares D8/330

* cited by examiner

Primary Examiner—Prabhakar Deshmukh

(74) *Attorney, Agent, or Firm*—Townsend and Townsend and Crew LLP

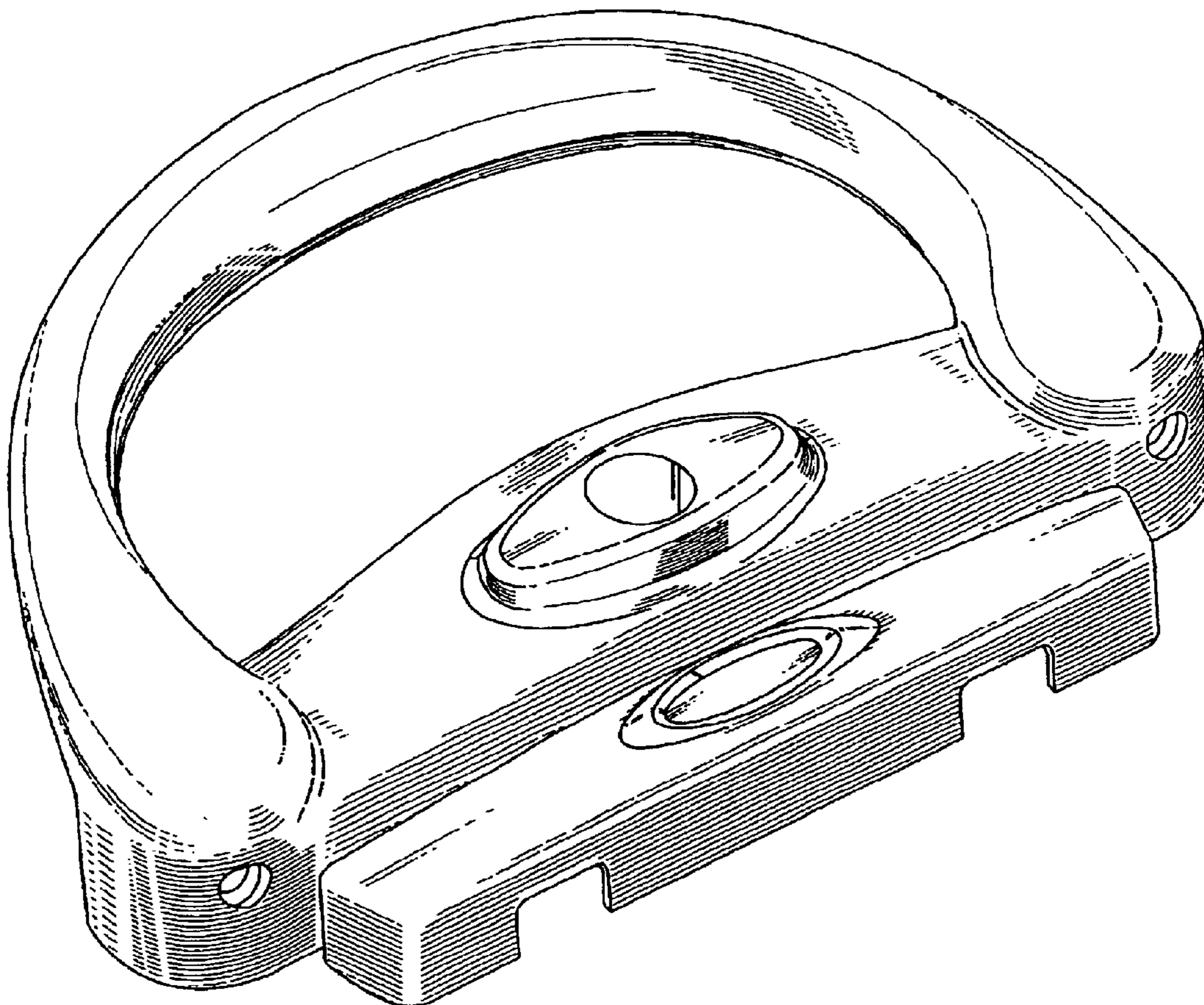
(57) **CLAIM**

The ornamental design for “door lock handle body and striker,” as shown and described.

DESCRIPTION

FIG. 1 is a Front Perspective View showing my new design; FIG. 2 is a Front Elevation View thereof; FIG. 3 is a Rear Elevation View thereof; and, FIG. 4 is a Side Elevation View thereof.
The portions of the design not shown are disclaimed.

1 Claim, 3 Drawing Sheets



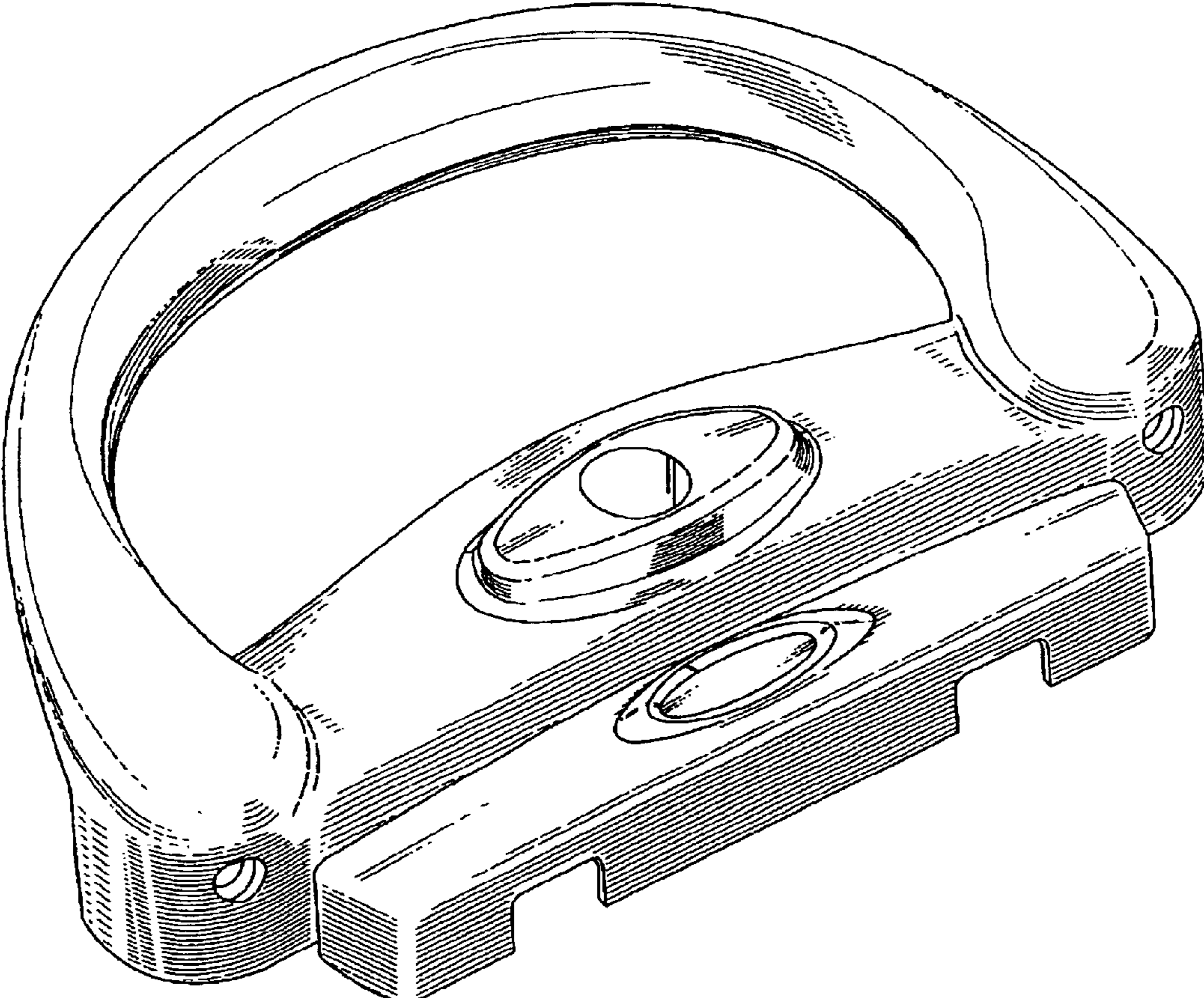


FIG. 1

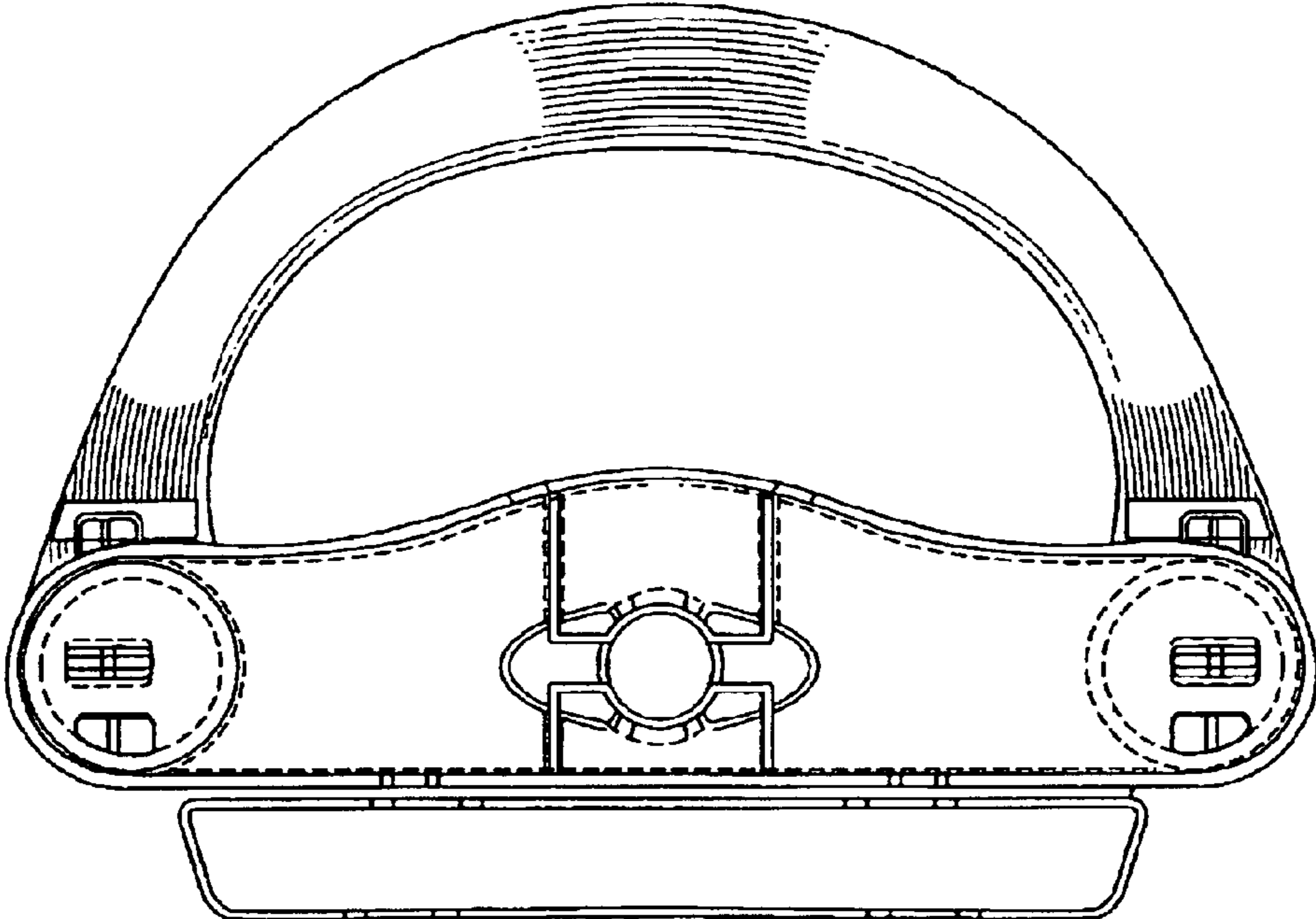


FIG. 3

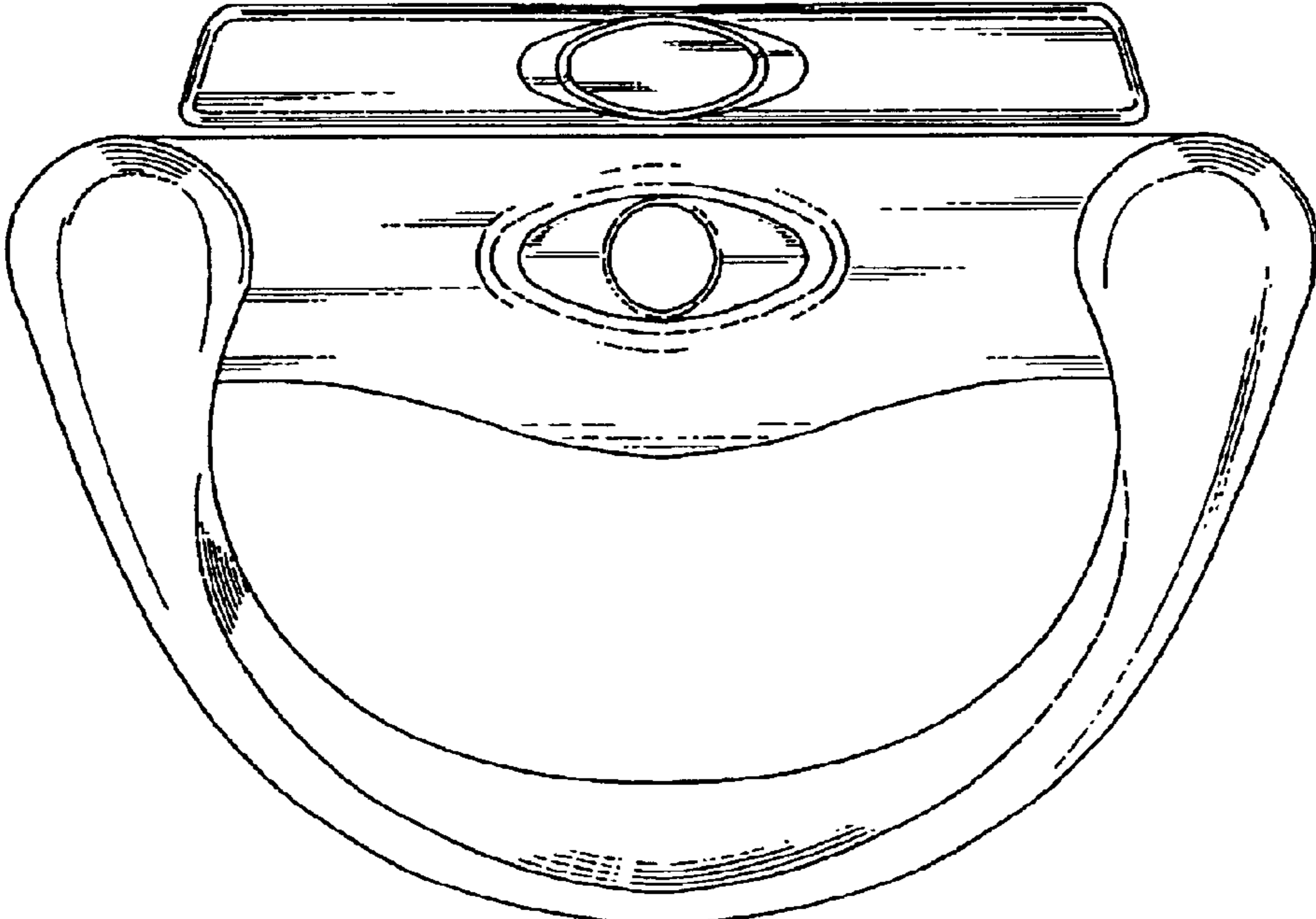


FIG. 2

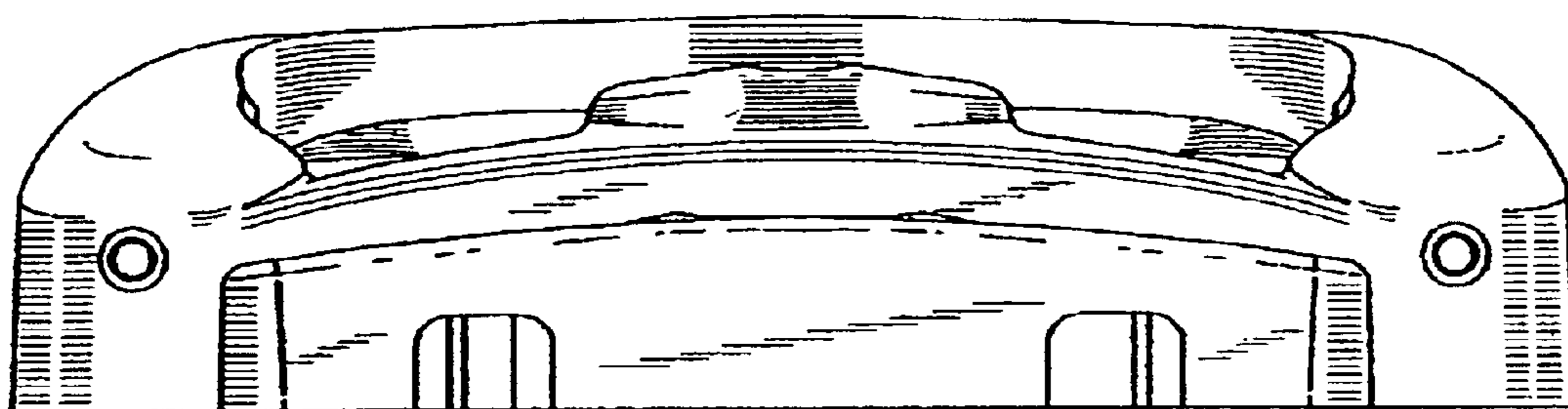


FIG. 4