

US00D517394S

(12) **United States Design Patent**
Chen

(10) **Patent No.:** **US D517,394 S**
(45) **Date of Patent:** **** Mar. 21, 2006**

(54) **OPENER HANDLE**

D479,112 S * 9/2003 Wu D8/83

(76) **Inventor:** **Chang-Ying Chen**, 235 Chung-Ho,
Box 8-24, Taipei (TW)

* cited by examiner

Primary Examiner—Pamela Burgess

(**) **Term:** **14 Years**

(57) **CLAIM**

The ornamental design for an opener handle, as shown and described.

(21) **Appl. No.:** **29/208,244**

(22) **Filed:** **Jun. 28, 2004**

DESCRIPTION

(51) **LOC (8) Cl.** **08-04**

FIG. 1 is a perspective view of an opener handle showing my new design.

(52) **U.S. Cl.** **D8/107**

FIG. 2 is a front elevational view thereof.

(58) **Field of Classification Search** D8/107,

FIG. 3 is a rear elevational view thereof.

D8/45, 47, 98, 83; D7/395, 393, 401.2; 16/110.1,

FIG. 4 is a left side view thereof.

16/430-431; 81/489; 15/143.1, 236.01, 236.06;

FIG. 5 is a right side view thereof.

30/169

FIG. 6 is a top plan view thereof.

See application file for complete search history.

FIG. 7 is a bottom plan view thereof; and,

FIG. 8 shows one application of the present invention, where those indicated by dashed lines are not claimed in the present invention.

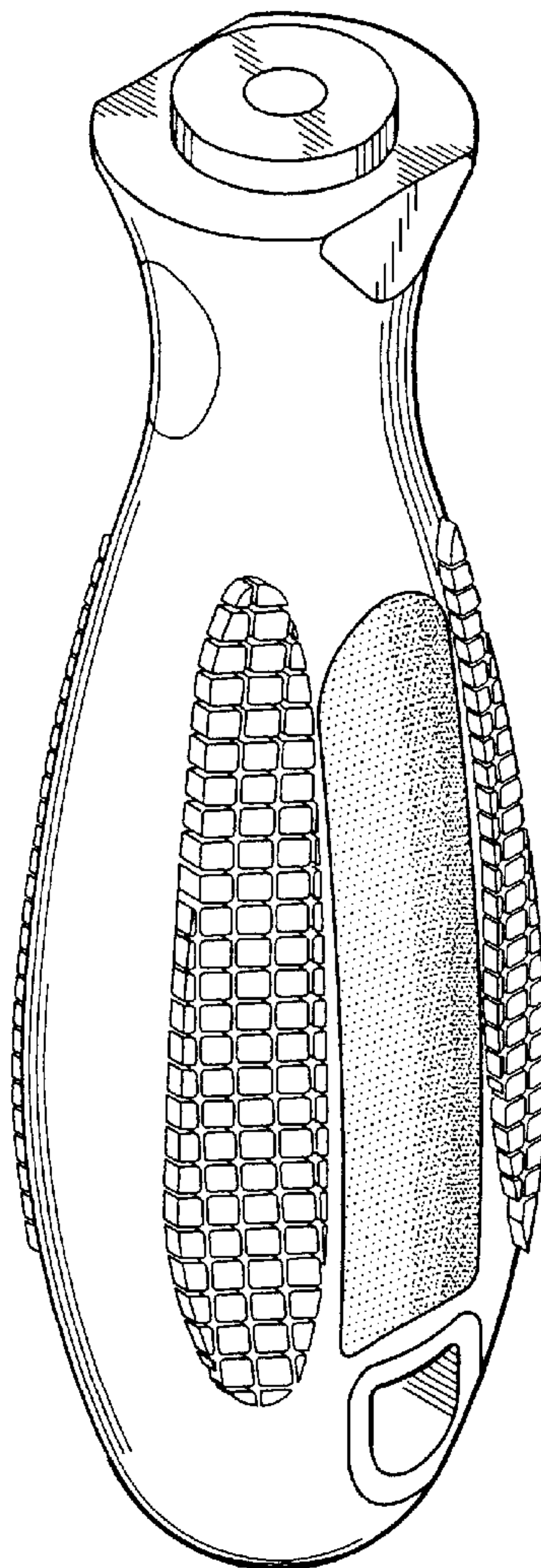
(56) **References Cited**

U.S. PATENT DOCUMENTS

D416,776 S * 11/1999 Liu D8/83

D460,676 S * 7/2002 Lin D8/83

1 Claim, 5 Drawing Sheets



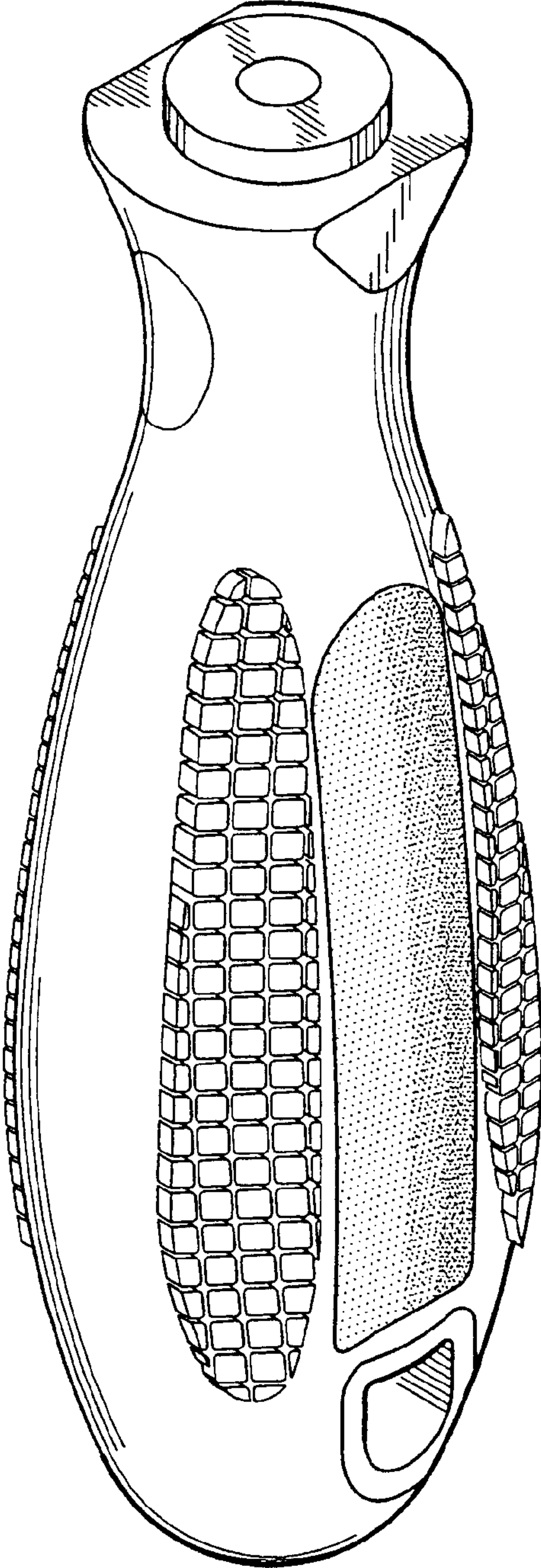


FIG. 1

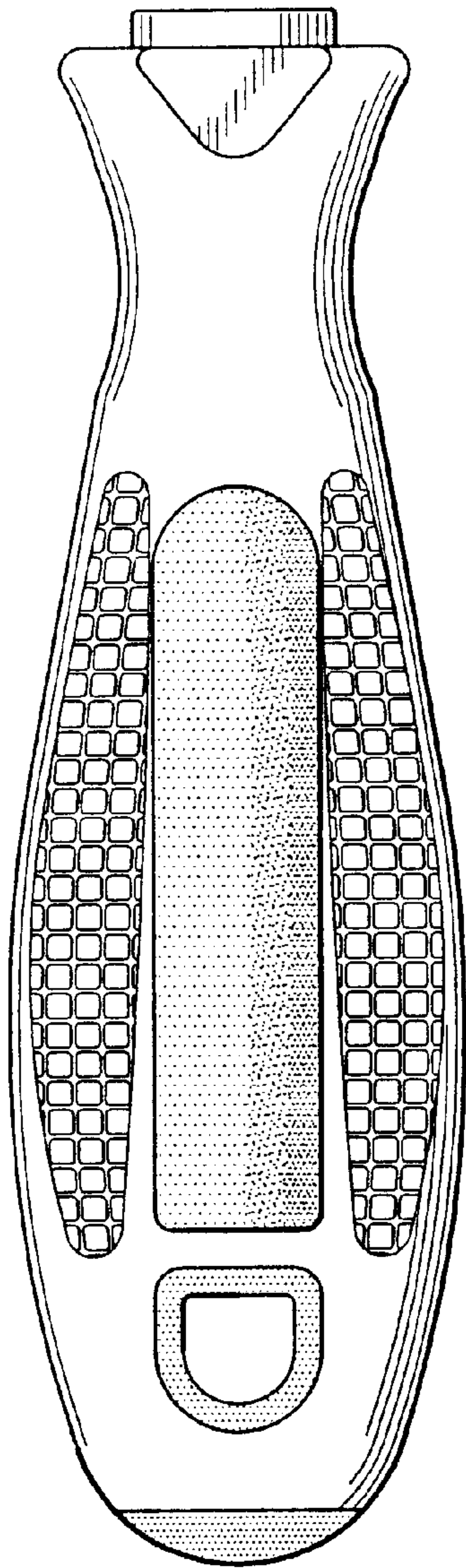


FIG. 2

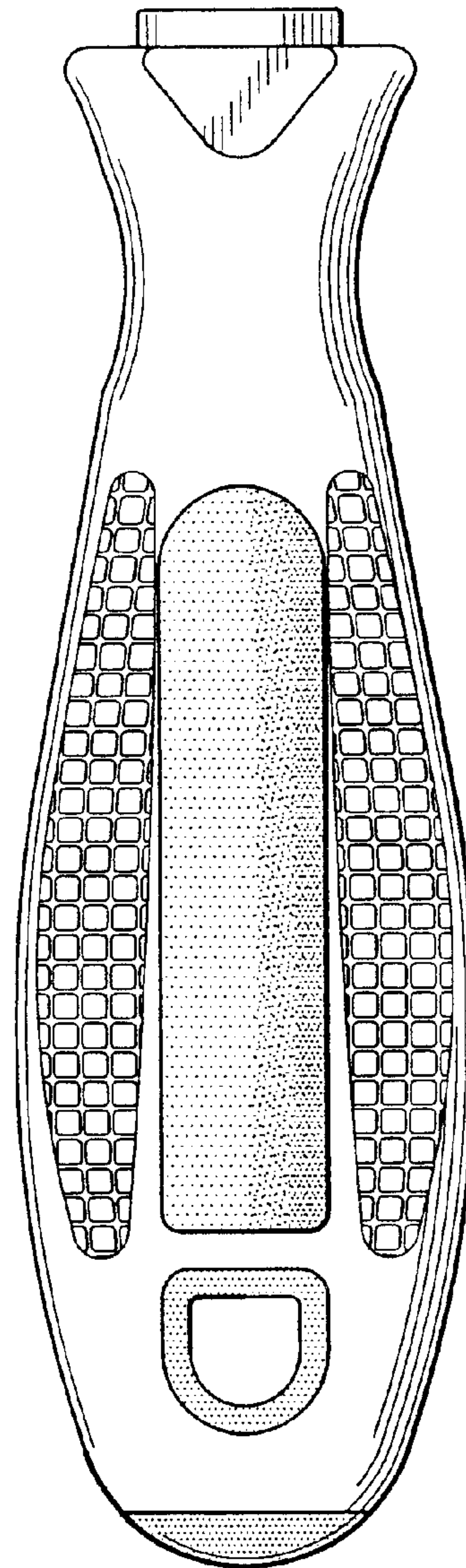


FIG. 3

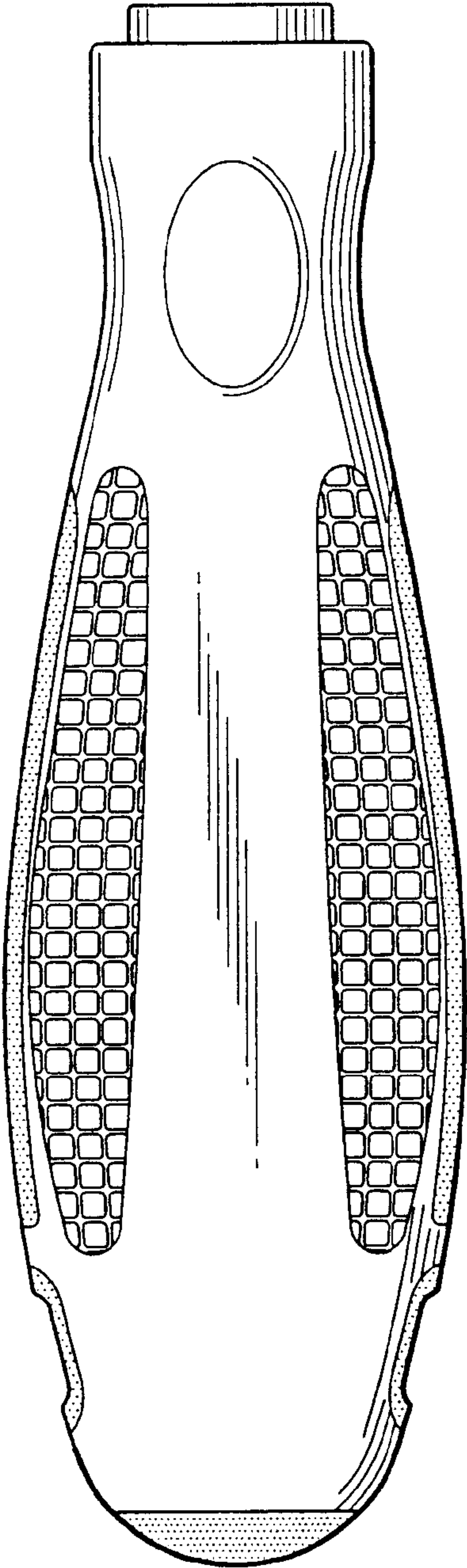


FIG. 4

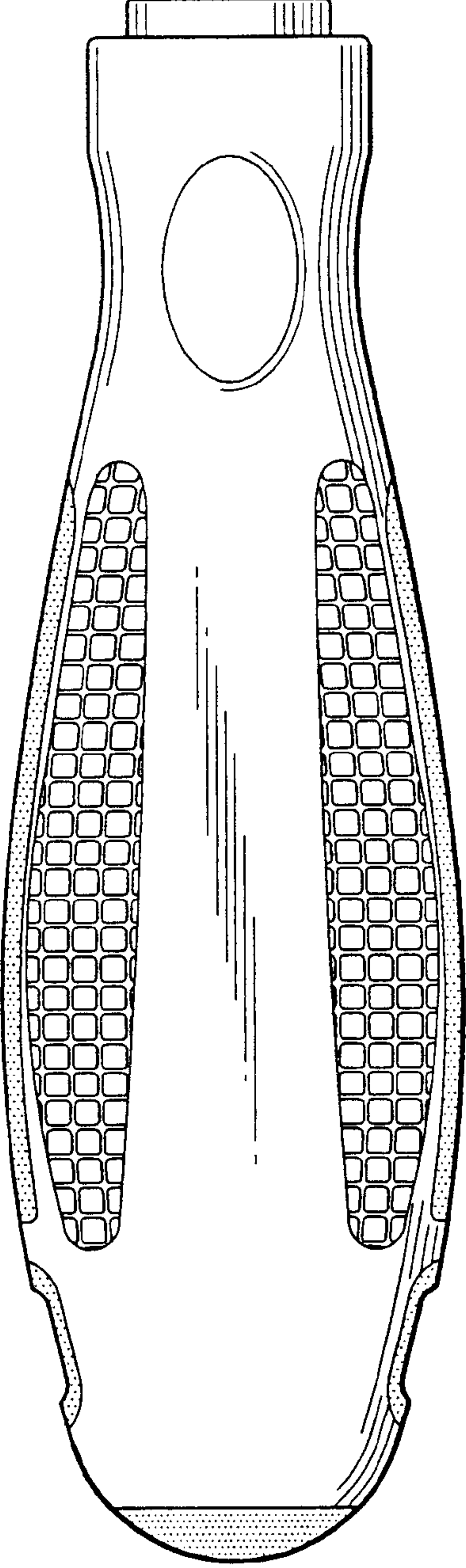


FIG. 5

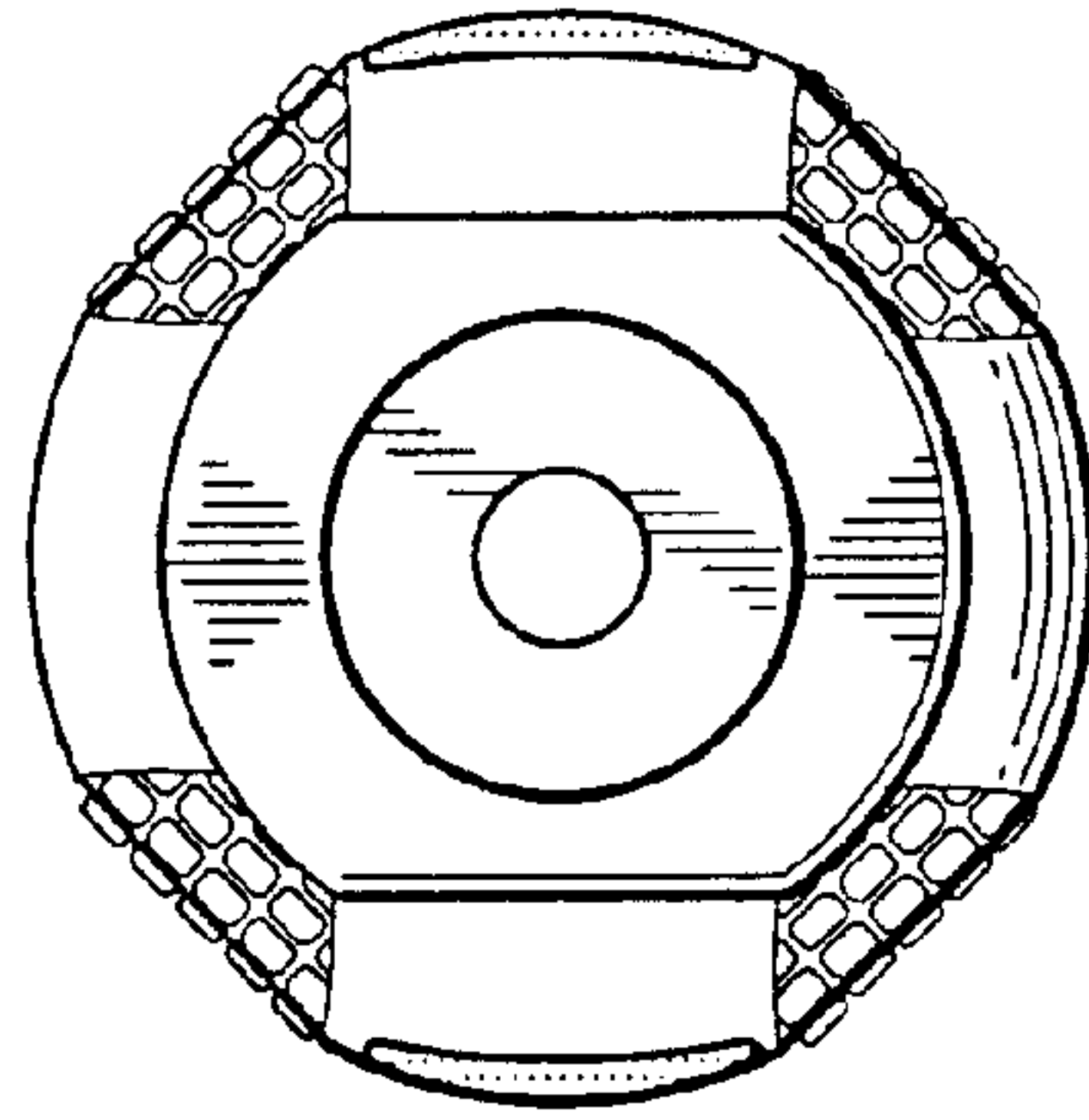


FIG. 6

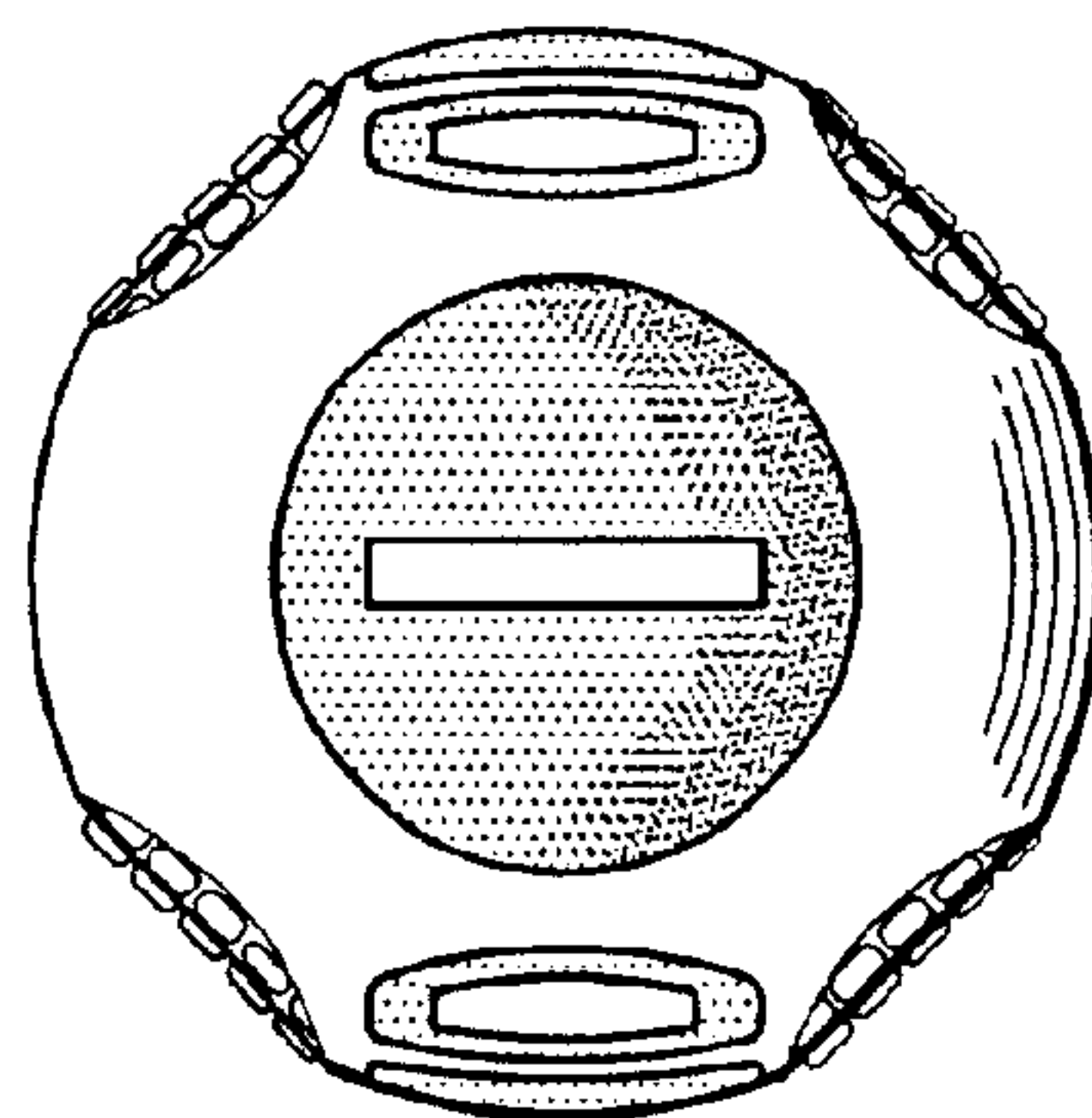


FIG. 7

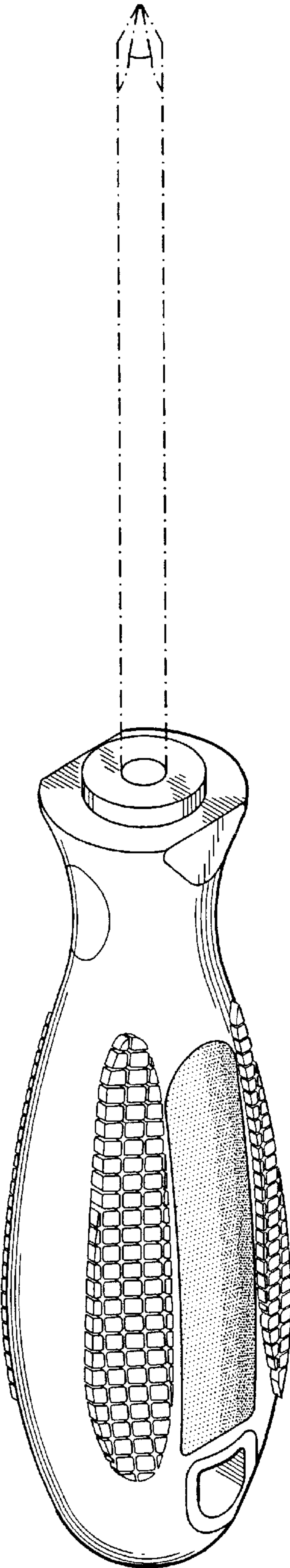


FIG. 8