



US00D517391S

(12) **United States Design Patent** (10) **Patent No.:** **US D517,391 S**  
**Leins** (45) **Date of Patent:** **\*\* Mar. 21, 2006**

(54) **MULTI PURPOSE HAND OPERATED UTENSIL**

(75) Inventor: **Hanspeter Leins**, Nagold (DE)  
(73) Assignee: **Ctech AG**, Chur (CH)  
(\*\*) Term: **14 Years**

(21) Appl. No.: **29/214,559**

(22) Filed: **Feb. 26, 2004**

(30) **Foreign Application Priority Data**

Aug. 29, 2003 (EM) ..... 69091

(51) **LOC (8) Cl.** ..... **08-03**

(52) **U.S. Cl.** ..... **D8/105**

(58) **Field of Classification Search** ..... D8/98,  
D8/105, 104; D27/142; D3/205; D19/99,  
D19/77, 65, 100; 81/440; 7/170, 167, 164,  
7/163

See application file for complete search history.

(56) **References Cited**

**U.S. PATENT DOCUMENTS**

400,987 A	4/1889	Wilzin
492,084 A	2/1893	Brigham
533,219 A	1/1895	Hardy
551,052 A	12/1895	Shonnard et al.
563,305 A	7/1896	Paffrath

(Continued)

**FOREIGN PATENT DOCUMENTS**

DE	819 542	11/1951
DE	P.A. 190350-3458	6/1958
DE	26 25 749 A1	12/1977
DE	31 39 995 A1	4/1983
DE	35 38 596	5/1987

(Continued)

**OTHER PUBLICATIONS**

Brochure, "Wenger. The Genuine Swiss Army Knife", 27 pages, date unknown.  
Brochure, "Wenger. The Genuine Swiss Army Knife™", 8 pages, date unknown.

(Continued)

*Primary Examiner*—Cathron C. Brooks

*Assistant Examiner*—Austin Murphy

(74) *Attorney, Agent, or Firm*—Brinks Hofer Gilson & Lione

(57) **CLAIM**

The ornamental design for a multi purpose hand operated utensil, as shown and described.

**DESCRIPTION**

The multi purpose hand operated utensil has a body made up of two parts hingedly connected to one another. The outer contour of the body is curved, and a distinctive slot between the two parts is visible on each side of the utensil. The body parts have plain side walls. The body parts may accommodate tools or parts of them which may be displaceable out of the body parts depending on the tools or their parts. Actuators may be provided for activating tools like a stapler, a knife, scissors, and the like, the body being useable as a handle.

FIG. 1 is a perspective front view of the multi purpose hand operated utensil seen from above;

FIG. 2 is a perspective front view of the multi purpose hand operated utensil seen from below;

FIG. 3 is a perspective front view of the multi purpose hand operated utensil seen from behind and above;

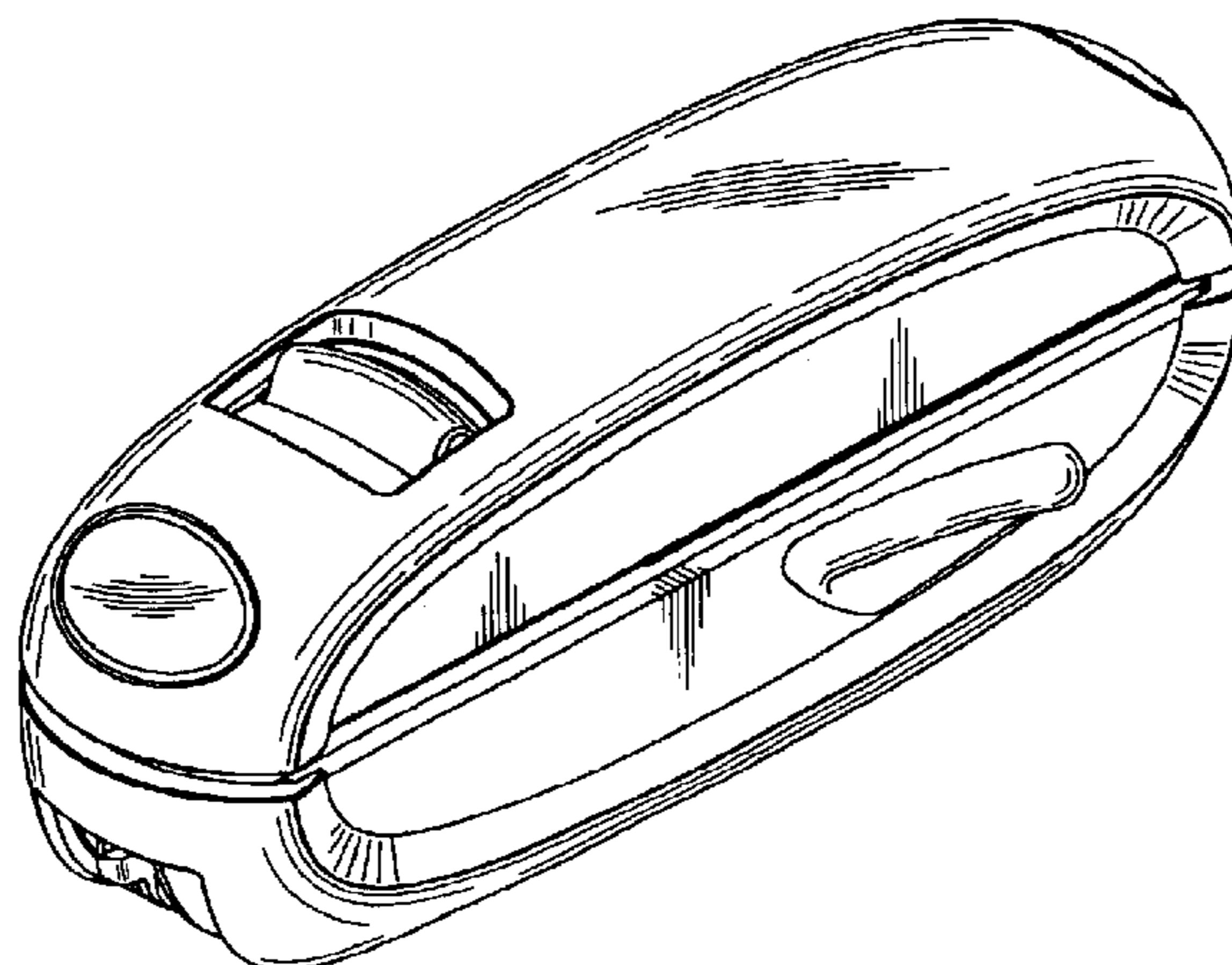
FIG. 4 is a perspective front view of the multi purpose hand operated utensil seen from behind and below;

FIG. 5 is a side view of the multi purpose hand operated utensil;

FIG. 6 is a front view of the multi purpose hand operated utensil; and,

FIG. 7 is a view from behind of the multi purpose hand operated utensil.

**1 Claim, 3 Drawing Sheets**



U.S. PATENT DOCUMENTS

616,689 A 12/1898 Ruettgers  
 662,005 A 11/1900 Lewis  
 689,513 A 12/1901 Papendell  
 698,080 A 4/1902 Treas  
 749,230 A 1/1904 Severance  
 790,432 A 5/1905 Heilrath  
 857,459 A 6/1907 Hendrickson  
 1,234,345 A 7/1917 Keeran  
 1,412,373 A 4/1922 Shields  
 1,431,835 A 10/1922 Neft  
 1,451,607 A 4/1923 Bates  
 1,603,914 A 10/1926 Hermann  
 1,647,405 A 11/1927 Giesen  
 1,965,291 A 7/1934 Kowald  
 2,199,430 A 5/1940 Greve  
 2,250,290 A 7/1941 Berg  
 2,264,322 A 12/1941 Maynard  
 2,316,246 A 4/1943 Hyatt  
 2,416,277 A 2/1947 Siegel  
 2,486,500 A 11/1949 Shocket  
 2,601,999 A 7/1952 Sly  
 2,726,393 A 12/1955 Vogel  
 2,808,646 A 10/1957 Lohr, Jr. et al.  
 3,315,295 A 4/1967 Jeter, Jr. et al.  
 3,640,443 A 2/1972 Itagaki  
 3,907,190 A 9/1975 Mitsushashi  
 3,951,325 A 4/1976 Mitsushashi  
 4,002,281 A 1/1977 Hsu  
 4,040,556 A 8/1977 Dahle  
 4,114,793 A 9/1978 Hsu  
 4,240,572 A 12/1980 Mitsushashi  
 4,243,168 A 1/1981 Balma  
 D259,596 S 6/1981 Gray  
 4,288,018 A 9/1981 Taniguchi  
 D262,585 S 1/1982 Anema  
 4,491,261 A 1/1985 Mitsushashi  
 4,640,451 A 2/1987 Steiner et al.  
 4,719,700 A 1/1988 Taylor, Jr.  
 4,727,610 A 3/1988 Lin  
 4,729,170 A 3/1988 Hartmeister  
 4,779,785 A 10/1988 Amagaya  
 4,783,867 A 11/1988 Tsao  
 4,794,692 A 1/1989 Wang  
 4,811,486 A 3/1989 Cunningham  
 D302,102 S 7/1989 Amagaya  
 D308,462 S 6/1990 Komatsu  
 D316,932 S 5/1991 Escher, Jr.  
 D318,070 S 7/1991 Amagaya  
 5,027,994 A 7/1991 Lee  
 D321,637 S 11/1991 Chan  
 5,114,257 A 5/1992 Hsu  
 5,184,765 A 2/1993 Orozco  
 D336,415 S 6/1993 Cheng  
 5,331,741 A 7/1994 Taylor, Jr.  
 5,584,124 A 12/1996 Marthaler et al.  
 5,626,275 A 5/1997 Chen  
 D380,900 S 7/1997 Pearson et al.  
 5,655,697 A 8/1997 Yeh  
 D402,313 S 12/1998 Tzeng  
 D407,432 S 3/1999 Tell  
 5,896,665 A 4/1999 Harris  
 D409,385 S 5/1999 Pearson et al.  
 5,911,761 A 6/1999 Tilley  
 D414,935 S 10/1999 Bould  
 D415,201 S 10/1999 Leins  
 5,960,498 A 10/1999 Nabors et al.  
 5,979,734 A 11/1999 Chang  
 6,009,582 A 1/2000 Harrison et al.  
 6,038,723 A 3/2000 Nabors et al.  
 D425,125 S 5/2000 Leins

D427,764 S 7/2000 Conway  
 6,105,189 A 8/2000 Nabors et al.  
 D430,393 S 9/2000 Conway  
 D434,073 S 11/2000 Leins  
 D434,796 S 12/2000 Coleman  
 D435,141 S \* 12/2000 Reynolds ..... D27/142  
 D436,130 S 1/2001 Leins  
 D437,615 S 2/2001 Leins  
 D441,020 S 4/2001 Leins  
 6,233,769 B1 5/2001 Seber et al.  
 D448,410 S 9/2001 Leins  
 6,286,745 B1 9/2001 Ackeret  
 D451,674 S 12/2001 Leins  
 D452,037 S \* 12/2001 Smith ..... D27/143  
 D460,339 S 7/2002 Lin  
 D463,494 S 9/2002 Mori  
 D464,679 S 10/2002 Leins  
 6,460,433 B1 10/2002 Ackeret et al.  
 6,493,893 B1 12/2002 Ackeret  
 D472,931 S 4/2003 Leins  
 D474,507 S 5/2003 Leins  
 6,708,360 B1 3/2004 Ackeret  
 D493,837 S 8/2004 Leins  
 D494,438 S \* 8/2004 Falkenstein et al. .... D8/105  
 6,779,425 B1 \* 8/2004 Ackeret et al. .... 81/440  
 6,874,189 B1 \* 4/2005 Ackeret ..... 7/160  
 2001/0037528 A1 11/2001 Ackeret  
 2003/0088921 A1 \* 5/2003 Ackeret ..... 7/160  
 2003/0106159 A1 \* 6/2003 Ackeret et al. .... 7/160  
 2004/0034937 A1 2/2004 Ackeret  
 2005/0081302 A1 \* 4/2005 Elsener ..... 7/118

FOREIGN PATENT DOCUMENTS

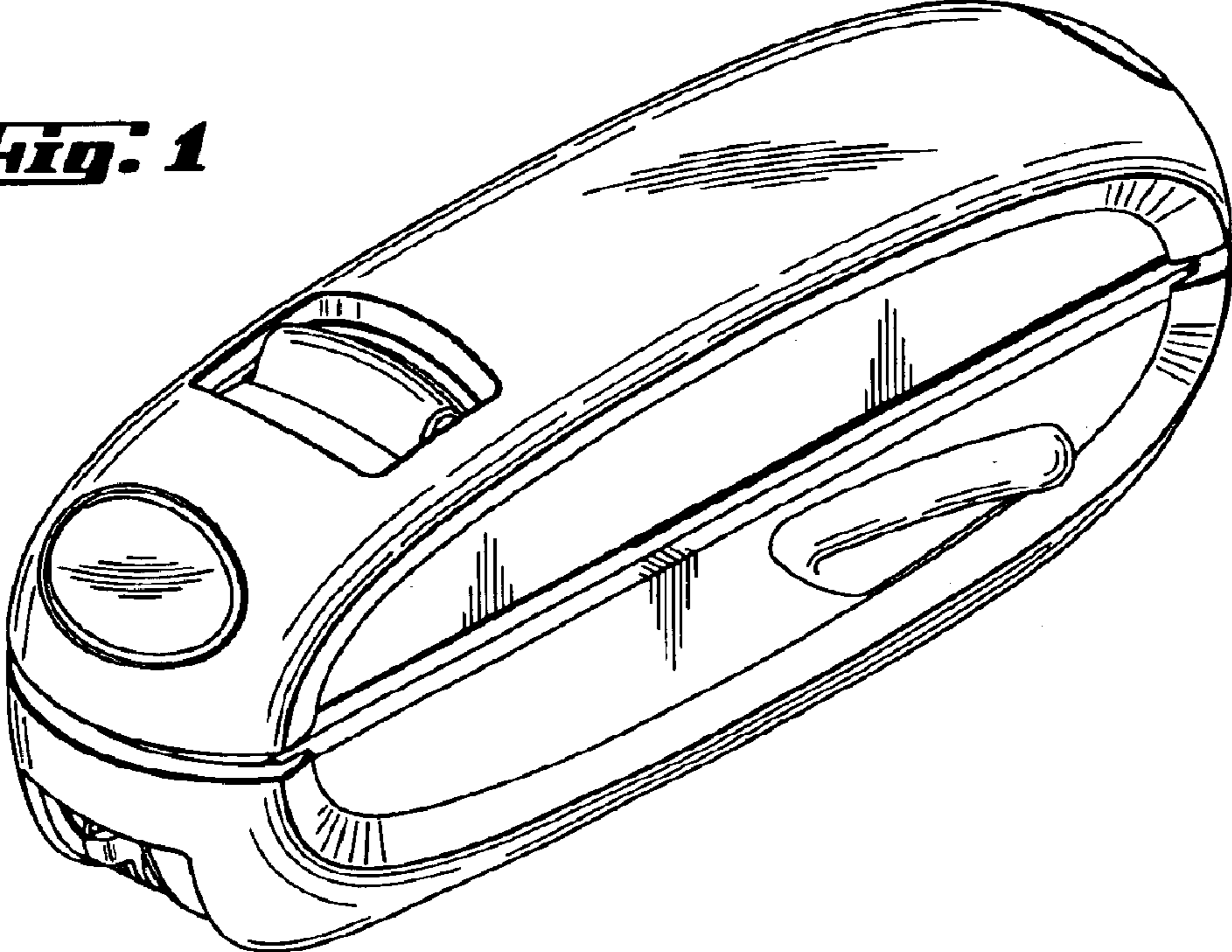
DE 40 21 645 A1 2/1991  
 DE 41 10 688 A1 9/1991  
 DE 93 01 374.4 5/1993  
 DE 195 27 859 A1 1/1997  
 DE 197 45 799 A1 7/1998  
 EP 0 306 678 A2 3/1989  
 EP 0 783938 A2 7/1997  
 GB 19 327 9/1896  
 GB 10 067 of 1897  
 GB 140 515 12/1918  
 GB 2 186 227 A 8/1987  
 GB 2196896 A 4/1988  
 JP 41-22884 11/1941  
 JP 53-71379 6/1978  
 JP 53-71380 6/1978  
 JP 2-19484 2/1990  
 JP 08-112781 A 5/1996  
 WO WO 84/01739 5/1984  
 WO WO 86/01449 3/1986  
 WO WO 94/17963 8/1994  
 WO WO 95/1113 4/1995  
 WO WO 97/04924 7/1996  
 WO WO 98/32570 7/1998  
 WO WO 02/00067 1/2002  
 WO WO 02/00397 1/2002  
 WO WO 03/074235 9/2003

OTHER PUBLICATIONS

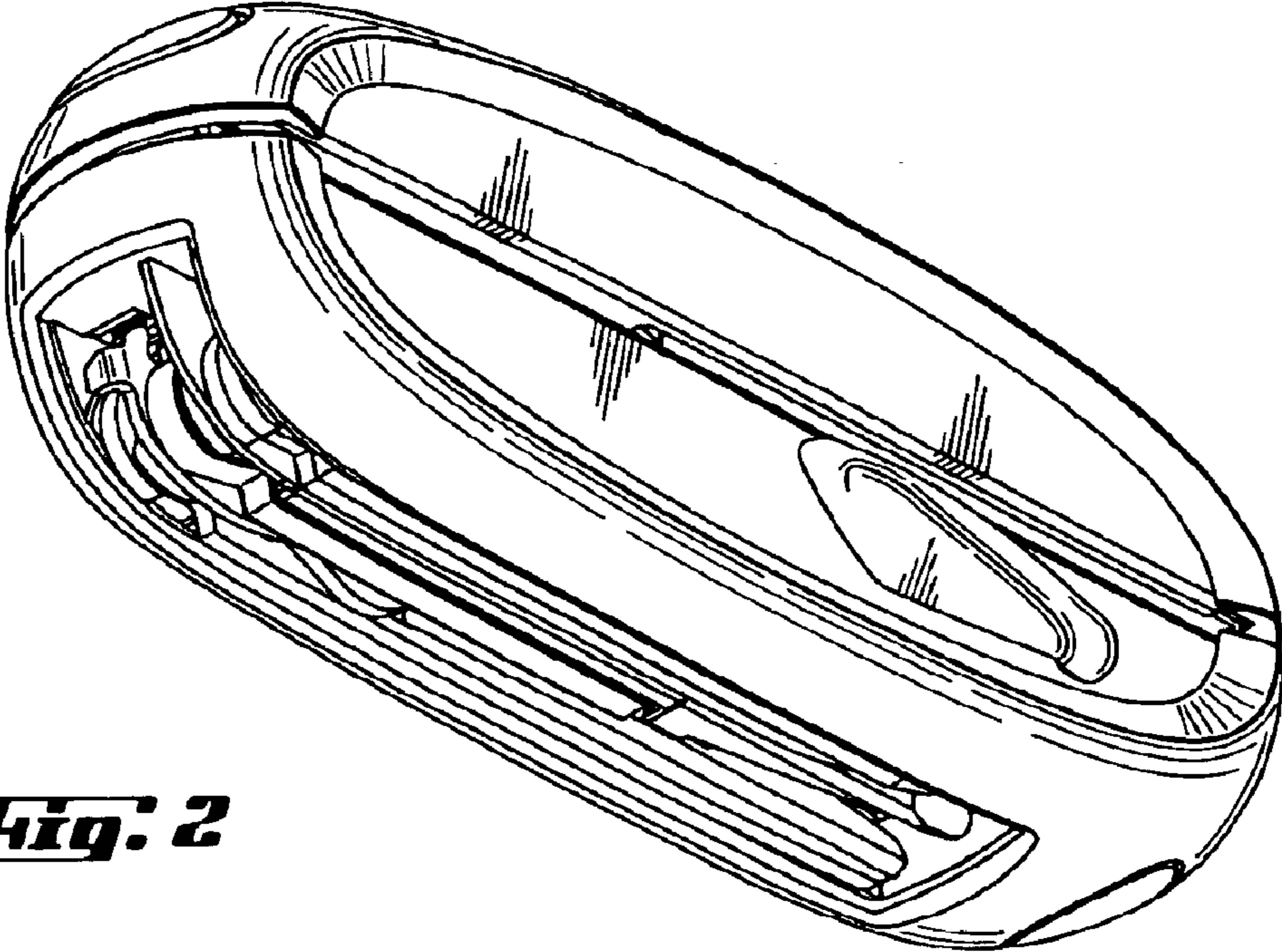
Six photographs showing top, bottom, left-side, right-side, front, and rear views of "MoMA PLUS" device, date unknown.  
 WIPO International Designs Bulletin Issue No. Jan. 1997 (DM/038962), published Mar. 27, 1997.  
 WIPO International Designs Bulletin Issue No. Jul. 1998 (DM/044810), published Oct. 30, 1998.

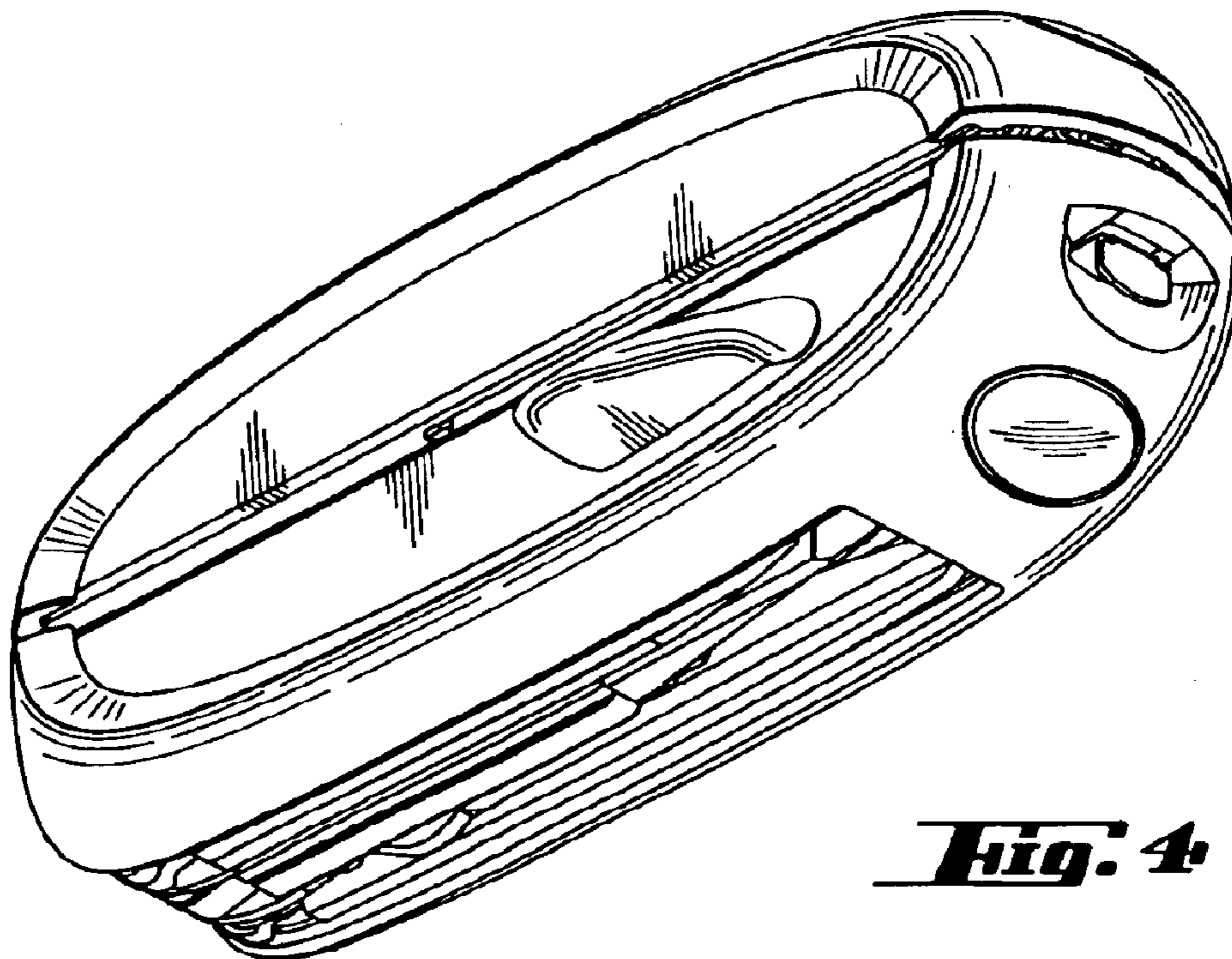
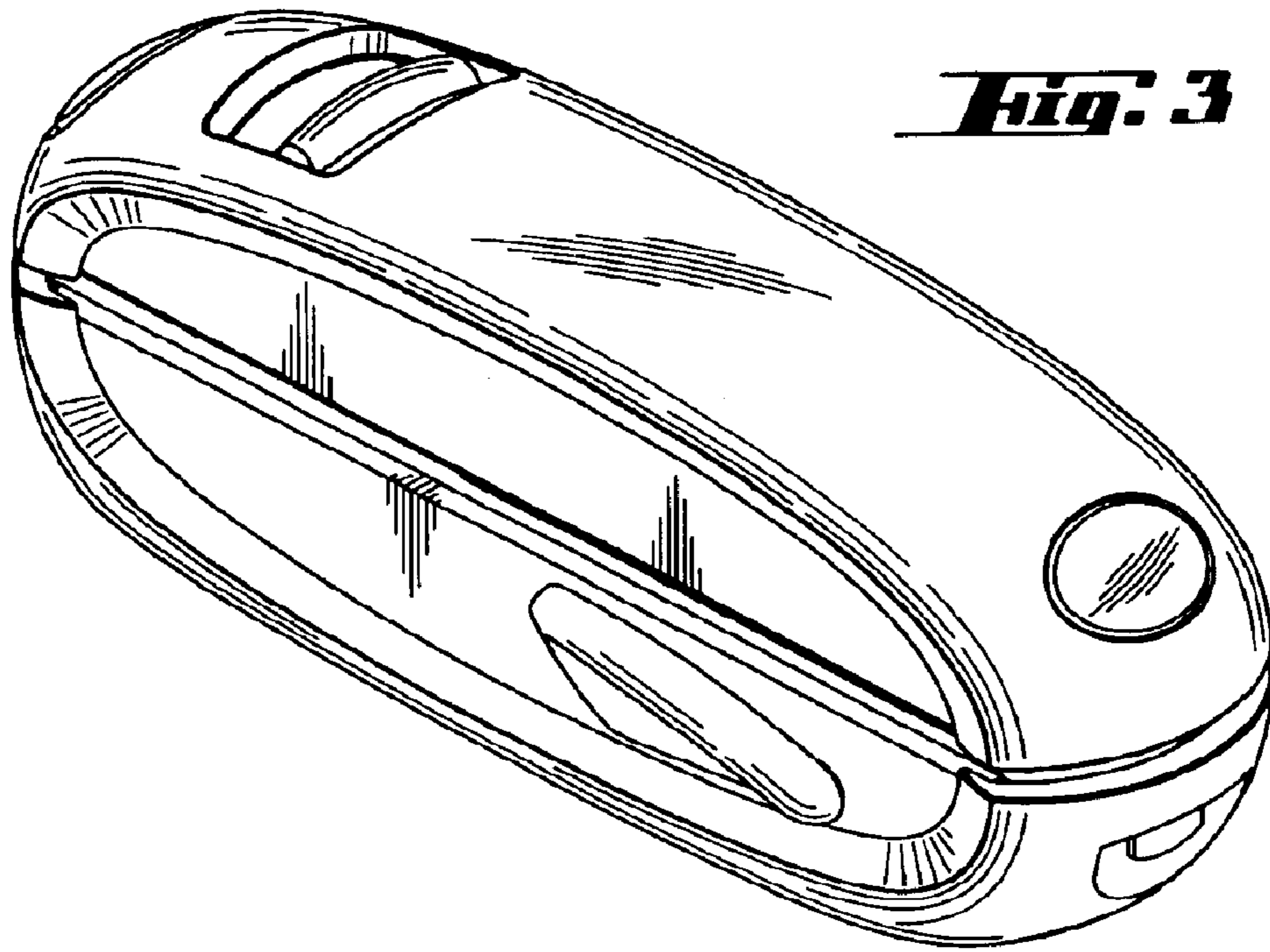
\* cited by examiner

***Fig. 1***

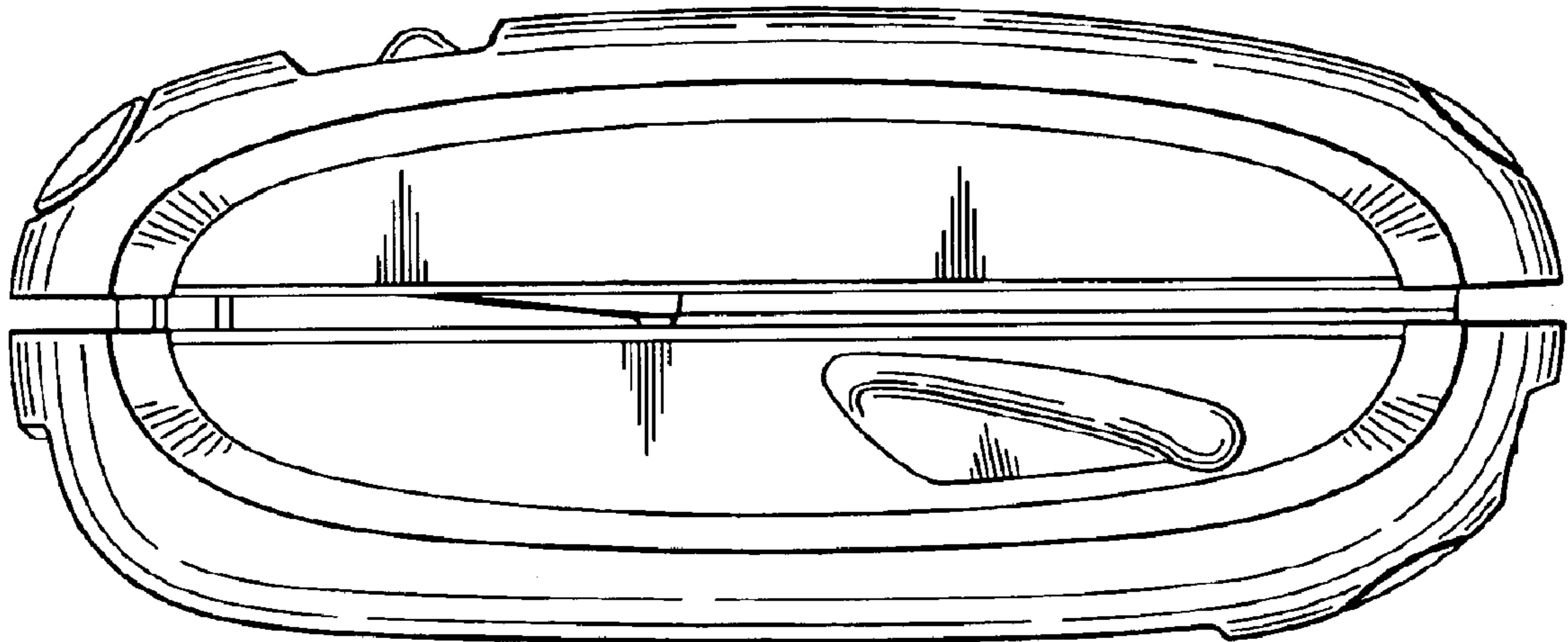


***Fig. 2***

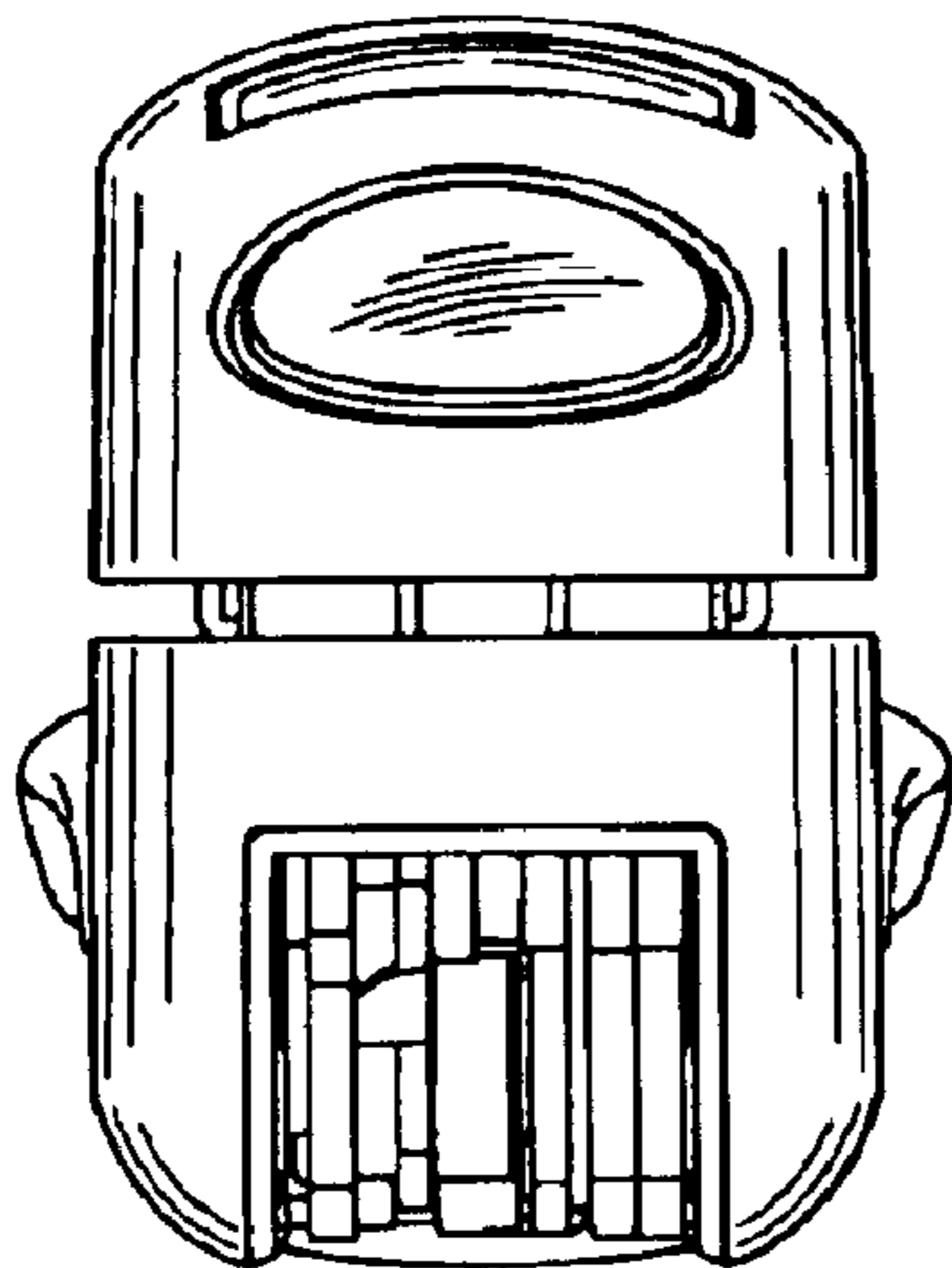




***Fig. 5***



***Fig. 6***



***Fig. 7***

