



US00D517390S

(12) **United States Design Patent**  
**Cheng et al.**

(10) **Patent No.: US D517,390 S**  
(45) **Date of Patent: \*\* Mar. 21, 2006**

(54) **TOOL CARD**

(76) Inventors: **Tsung-Kai Cheng**, 1F, No. 15, Lane  
107, Ming-Sheng St., Lu-Chou City,  
Taipei Hsien (TW); **Henry Lin**, 3F, No.  
329, Lung-Chiang Rd., Taipei (TW)

(\*\*) Term: **14 Years**

(21) Appl. No.: **29/211,355**

(22) Filed: **Aug. 16, 2004**

(51) **LOC (8) Cl.** ..... **08-05**

(52) **U.S. Cl.** ..... **D8/105**

(58) **Field of Classification Search** ..... D8/19,  
D8/42, 105, 33, 40, 98, 34, 99, 14, 16, 18,  
D8/43; D19/65; D16/135; 30/162, 151; 206/38,  
206/234; 362/119

See application file for complete search history.

(56) **References Cited**

**U.S. PATENT DOCUMENTS**

D172,723 S	*	7/1954	Polk	.....	D16/135
5,328,026 A	*	7/1994	Newman	.....	206/234
D360,815 S	*	8/1995	Padden	.....	D8/105
D374,388 S	*	10/1996	Padden	.....	D8/105
D416,581 S	*	11/1999	Cheng	.....	D19/65
6,009,584 A	*	1/2000	Padden	.....	7/170

D434,624 S	*	12/2000	Padden	.....	D8/42
D449,211 S	*	10/2001	Jean et al.	.....	D8/105
6,347,875 B1	*	2/2002	Painsith	.....	362/119
6,460,698 B1	*	10/2002	Wang	.....	206/234
2002/0179463 A1	*	12/2002	Newman	.....	206/234
2003/0038043 A1	*	2/2003	Painsith	.....	206/234

\* cited by examiner

*Primary Examiner*—Cathron C. Brooks

*Assistant Examiner*—Austin Murphy

(74) *Attorney, Agent, or Firm*—Birch, Stewart, Kolasch &  
Birch, LLP

(57) **CLAIM**

The ornamental design for “tool card,” as shown and  
described.

**DESCRIPTION**

FIG. 1 is a perspective view of “tool card” showing our new  
design thereof ;

FIG. 2 is a right side elevational view thereof ;

FIG. 3 is a top plan view thereof ;

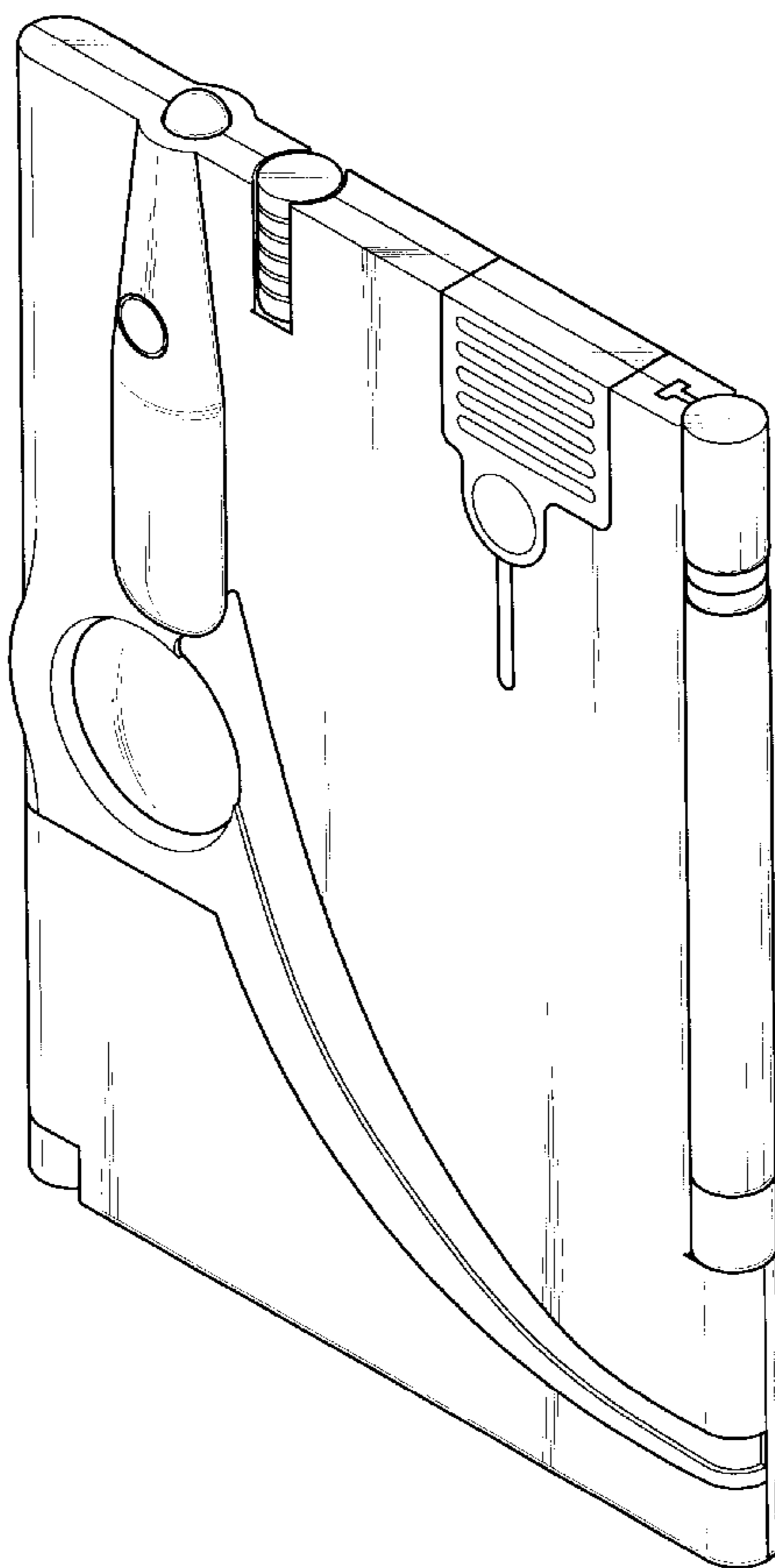
FIG. 4 is a front side elevational view thereof ;

FIG. 5 is a bottom plan view thereof. ;

FIG. 6 is a left side elevational view thereof; and,

FIG. 7 is a rear side elevational view thereof.

**1 Claim, 4 Drawing Sheets**



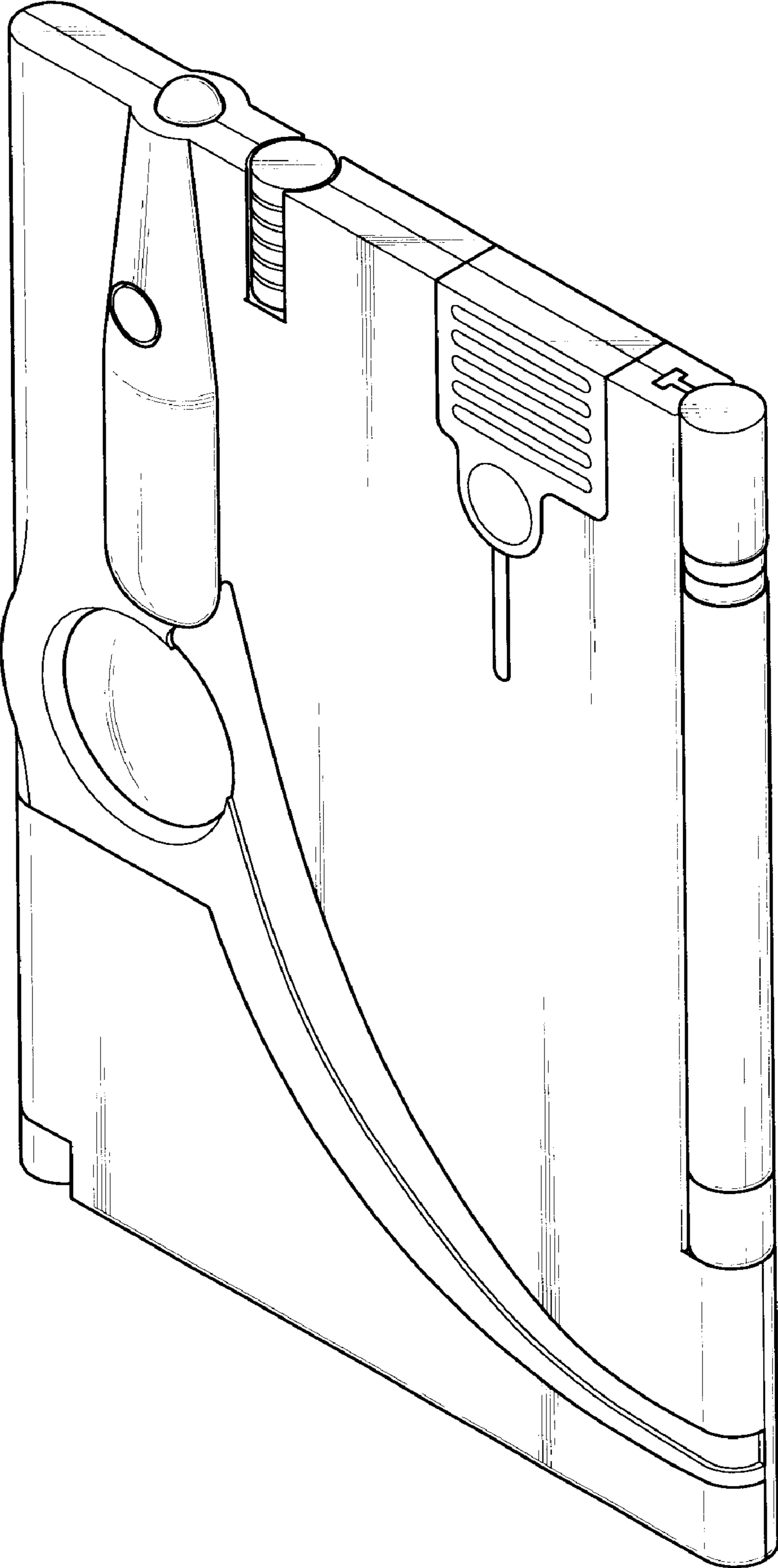


Fig. 1

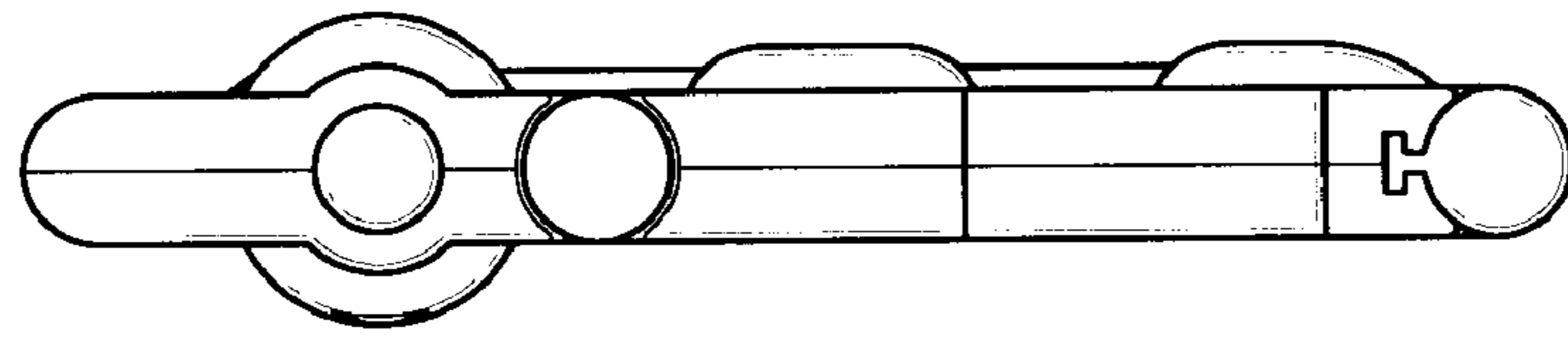


Fig. 3

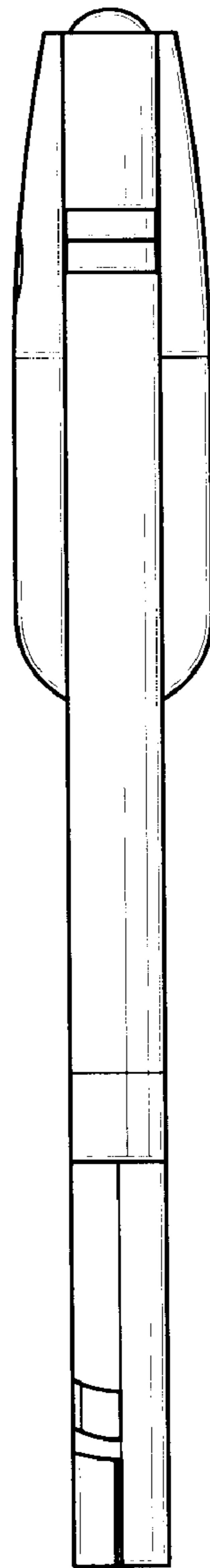


Fig. 2

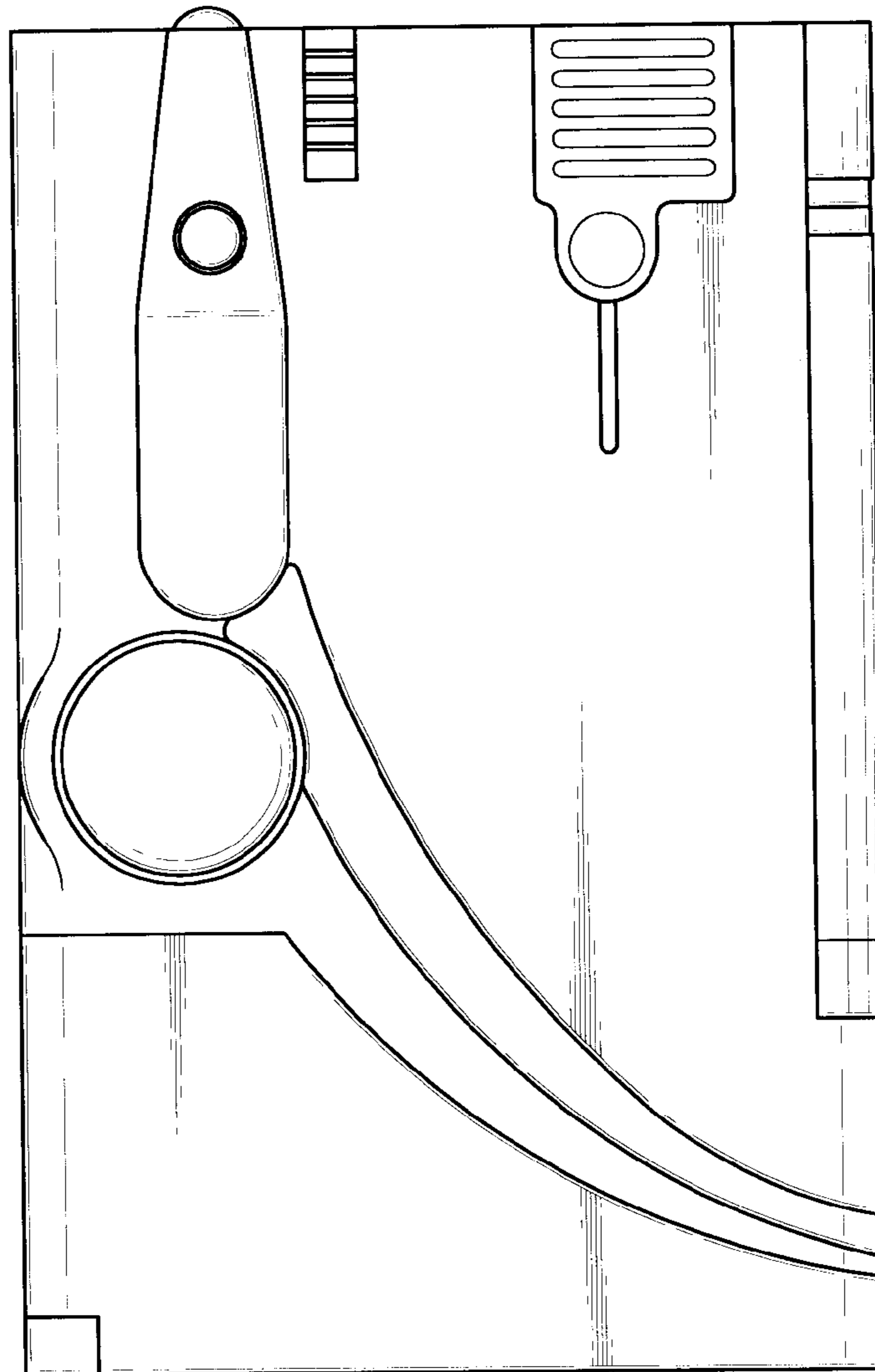


Fig.4

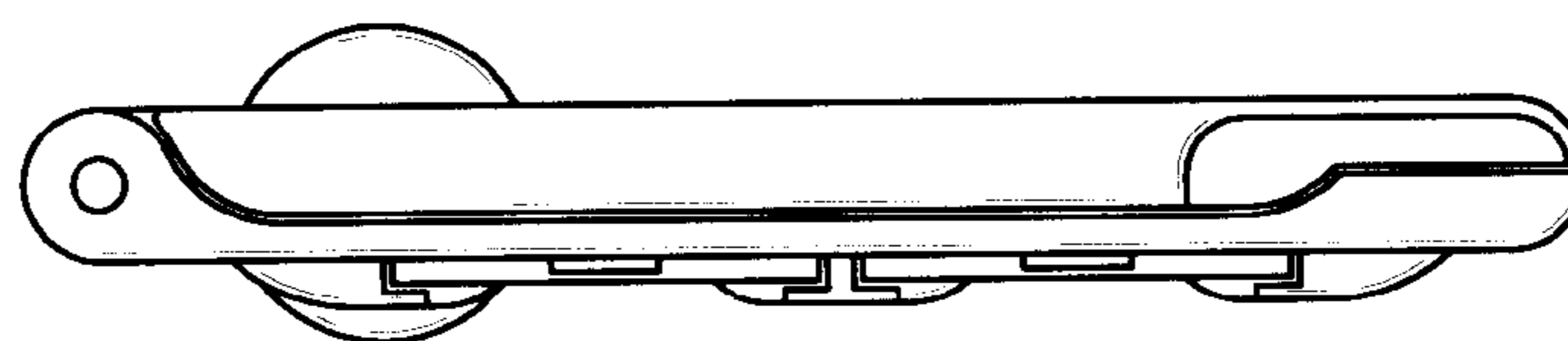


Fig.5

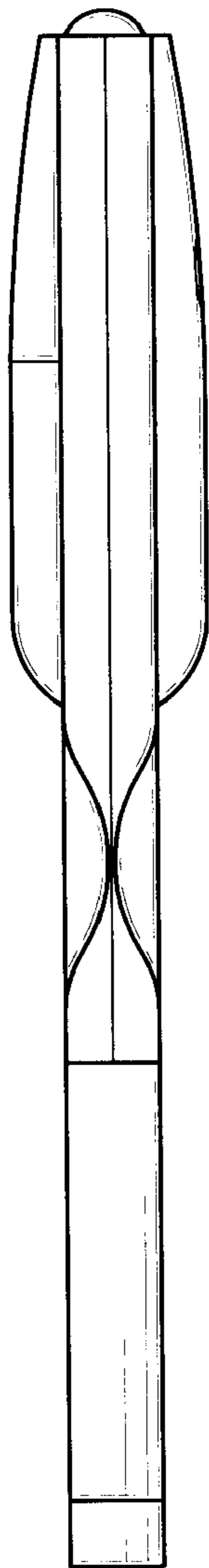


Fig. 6

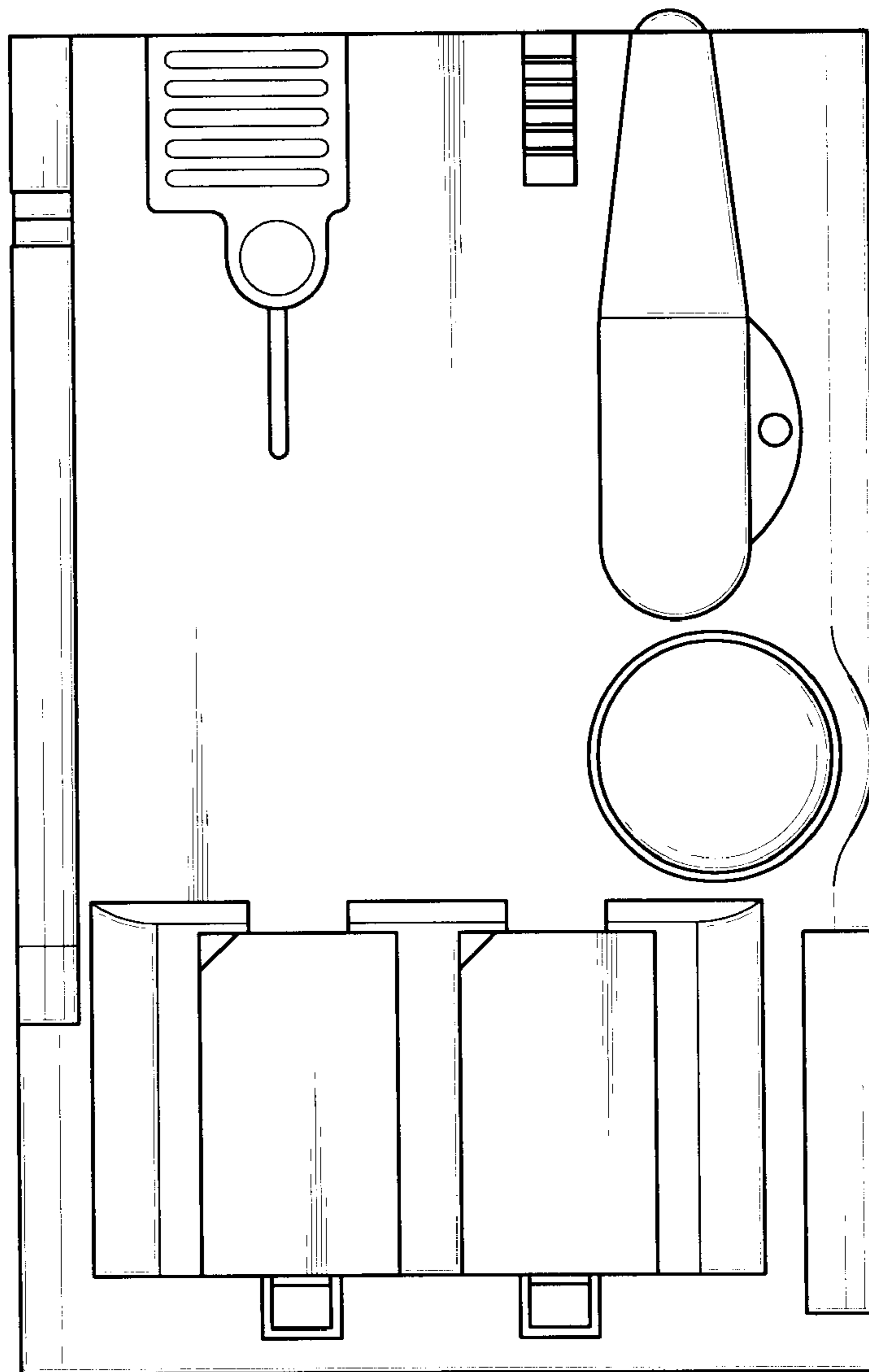


Fig. 7