



US00D517389S

(12) **United States Design Patent**
Collins et al.

(10) **Patent No.:** **US D517,389 S**
(45) **Date of Patent:** **** Mar. 21, 2006**

(54) **HAND TOOL HANDLE**

(75) Inventors: **Scott J. Collins**, Milwaukee, WI (US);
James R. Walsh, Wauwatosa, WI (US)

(73) Assignee: **Viking Industries, LLC**, Lake Forest,
IL (US)

(**) Term: **14 Years**

(21) Appl. No.: **29/207,672**

(22) Filed: **Jun. 16, 2004**

(51) **LOC (8) Cl.** **08-05**

(52) **U.S. Cl.** **D8/90; D8/62; D8/107**

(58) **Field of Classification Search** **D8/62,**
D8/90, 101, 107, 303; 30/487, 488, 489;
451/356, 357, 359; 16/110.1, 430

See application file for complete search history.

(56) **References Cited**

U.S. PATENT DOCUMENTS

3,108,409	A	*	10/1963	Hendrickson	451/356
D235,614	S	*	7/1975	Taylor	D8/62
4,177,712	A	*	12/1979	Herzig	91/179
D308,931	S	*	7/1990	Greenlee et al.	D8/62
D328,695	S	*	8/1992	Hoshino et al.	D8/69
D374,386	S	*	10/1996	Bosten et al.	D8/62
5,694,696	A	*	12/1997	Lee et al.	30/488

OTHER PUBLICATIONS

Sander apparatus photograph Date: Unknown.
Scraper apparatus photograph Date: Unknown.

* cited by examiner

Primary Examiner—Philip S. Hyder

(74) *Attorney, Agent, or Firm*—Jansson, Shupe, Munger &
Antaramian, Ltd.

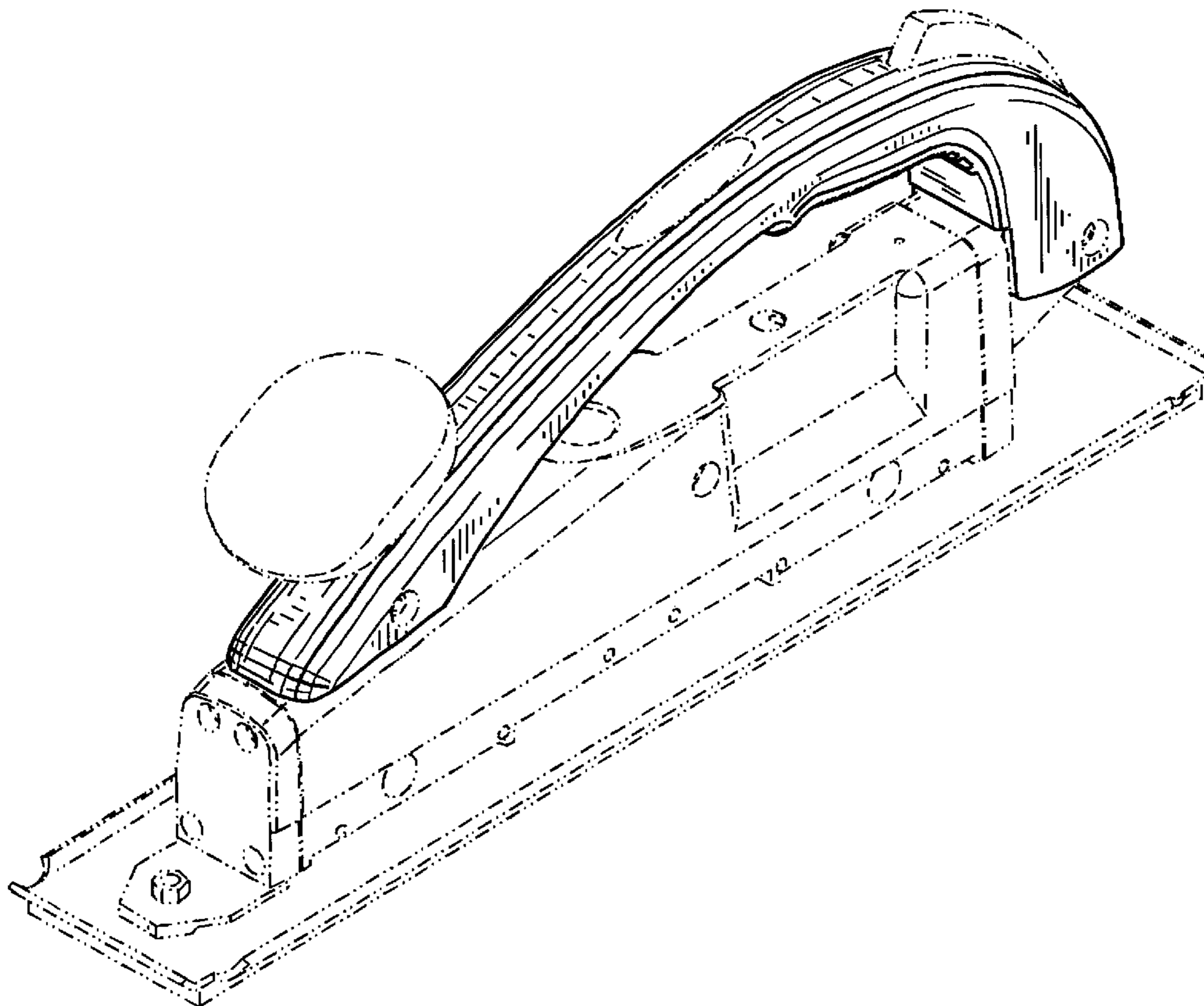
(57) **CLAIM**

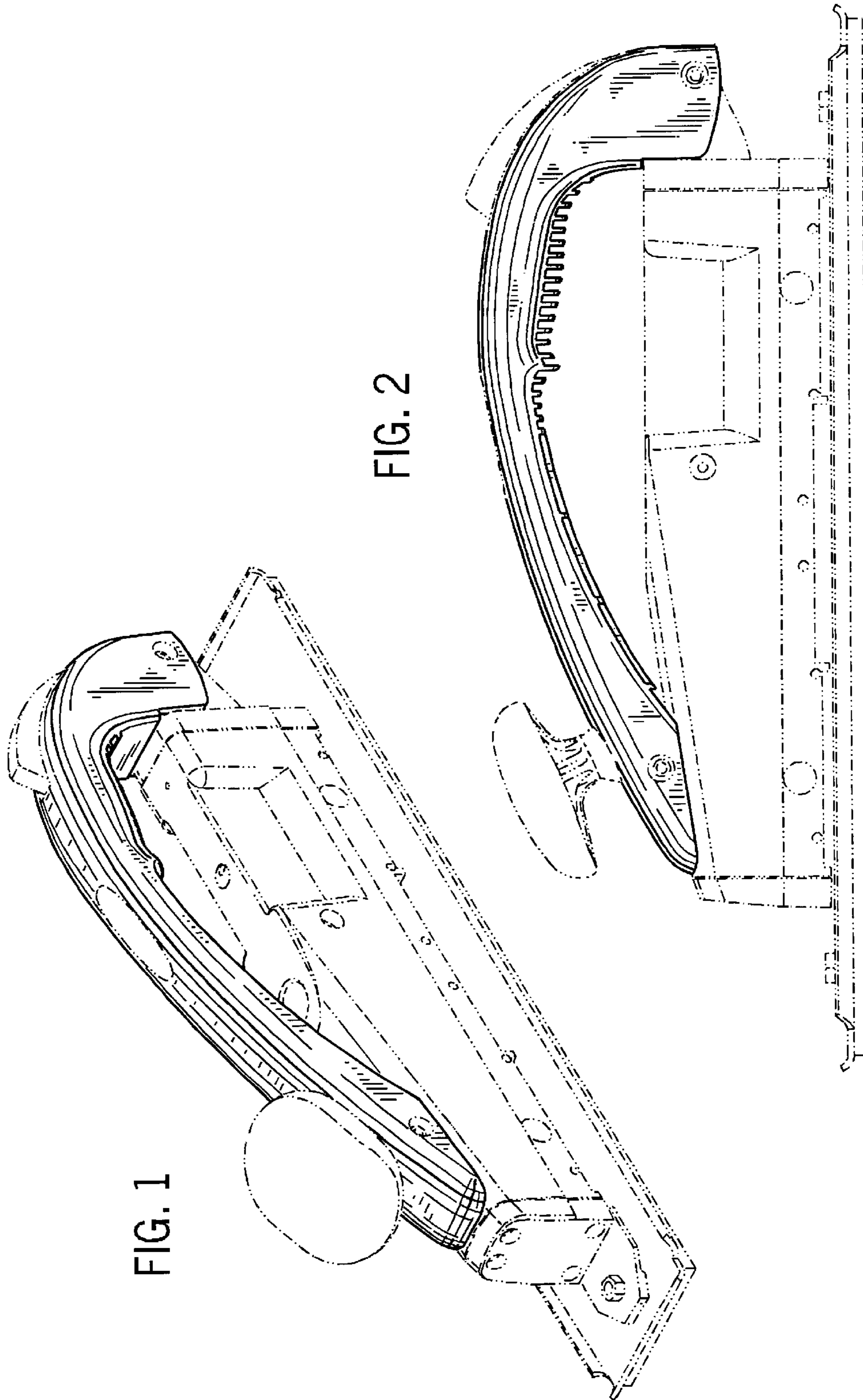
The ornamental design for a hand tool handle, as shown and described.

DESCRIPTION

FIG. 1 is a perspective view of a hand tool handle.
FIG. 2 is a left side elevation of the hand tool handle. A right side elevation of the hand tool handle is not shown because it is a mirror image of the left side elevation.
FIG. 3 is a top plan view of the hand tool handle.
FIG. 4 is a bottom plan view of the hand tool handle. The hand tool handle is shown as a separate part to facilitate viewing of the hand tool handle bottom portions.
FIG. 5 is a front elevation of the hand tool handle; and,
FIG. 6 is a rear elevation of the hand tool handle.
The broken lines are directed to the environmental structure defining the boundary of the claimed portions of the hand tool handle and form no part of the claimed design.

1 Claim, 3 Drawing Sheets





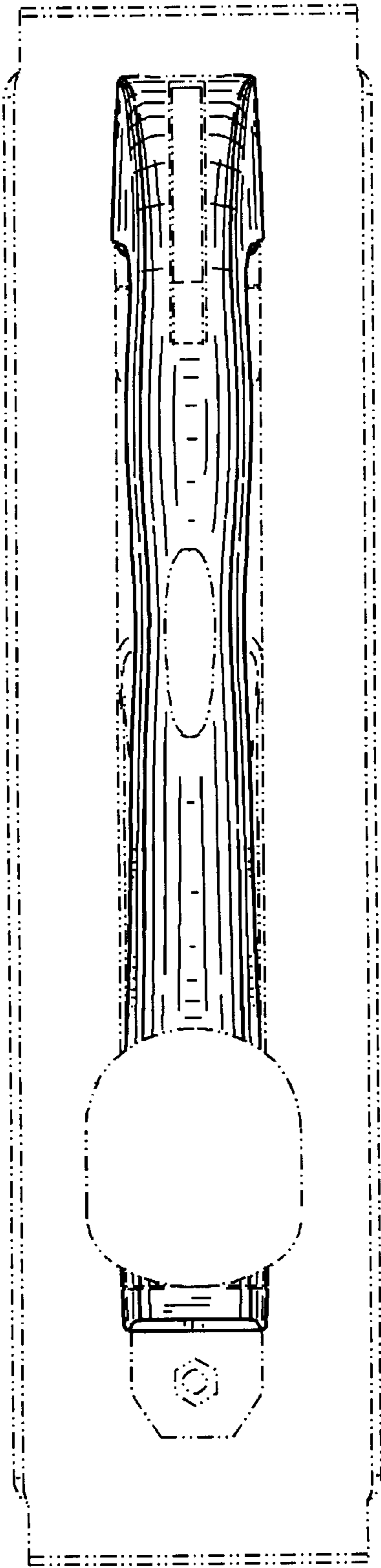


FIG. 3

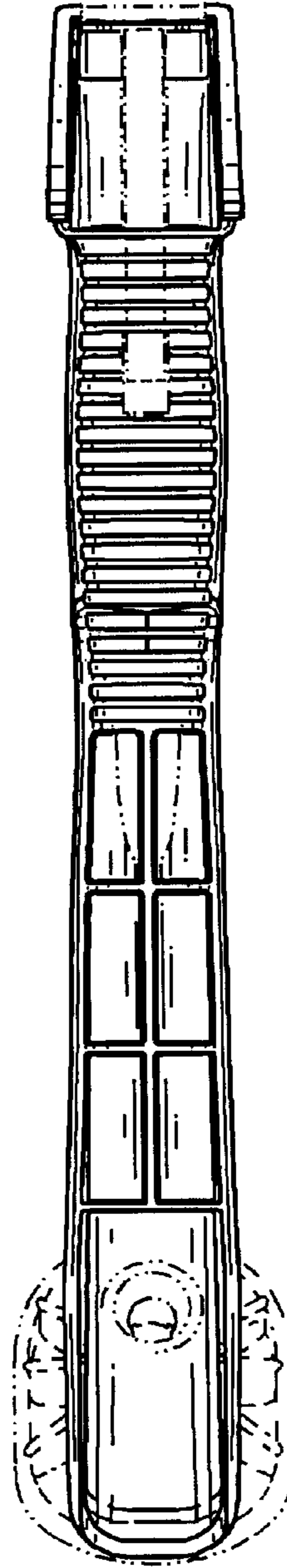


FIG. 4

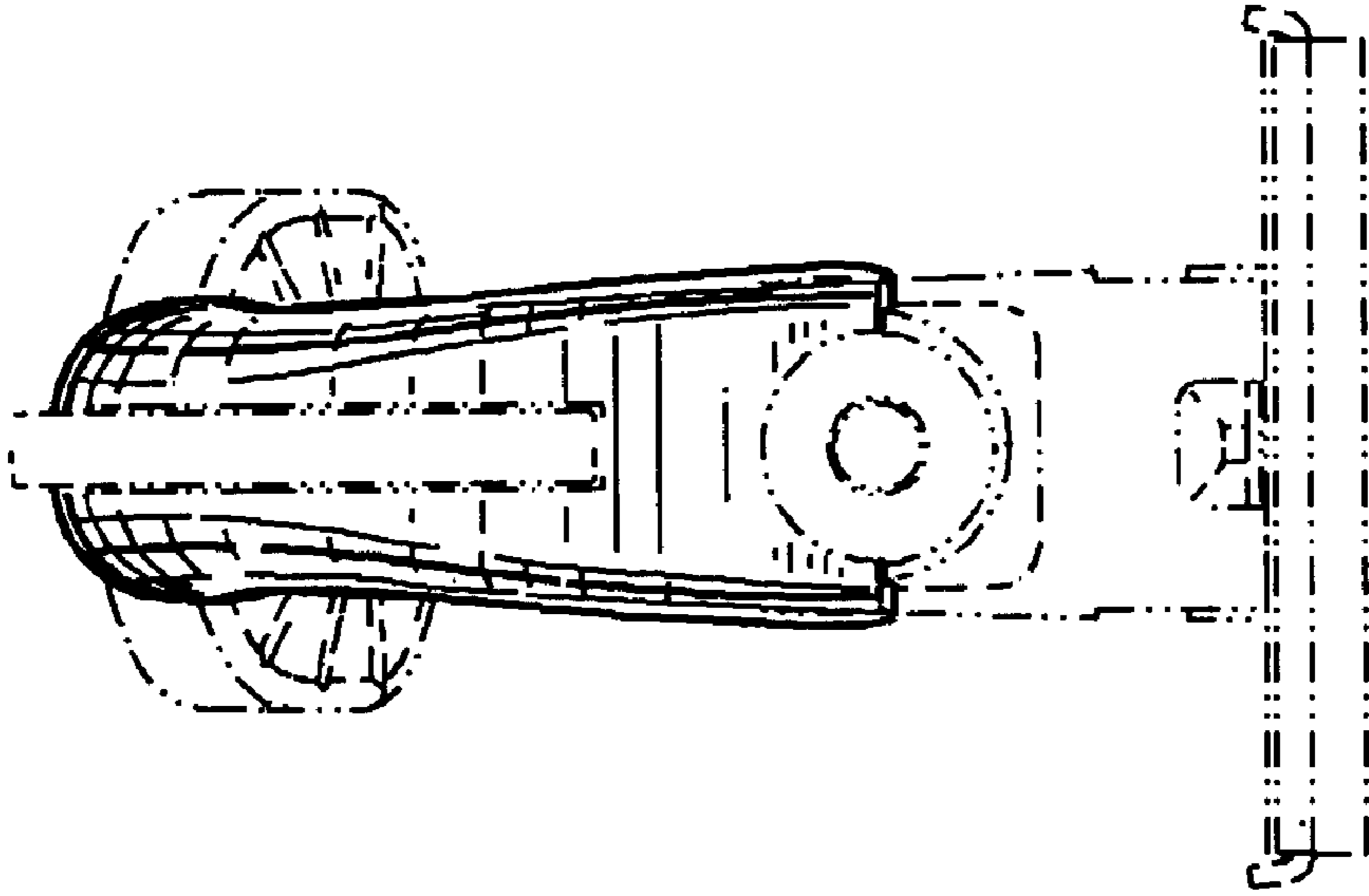


FIG. 6

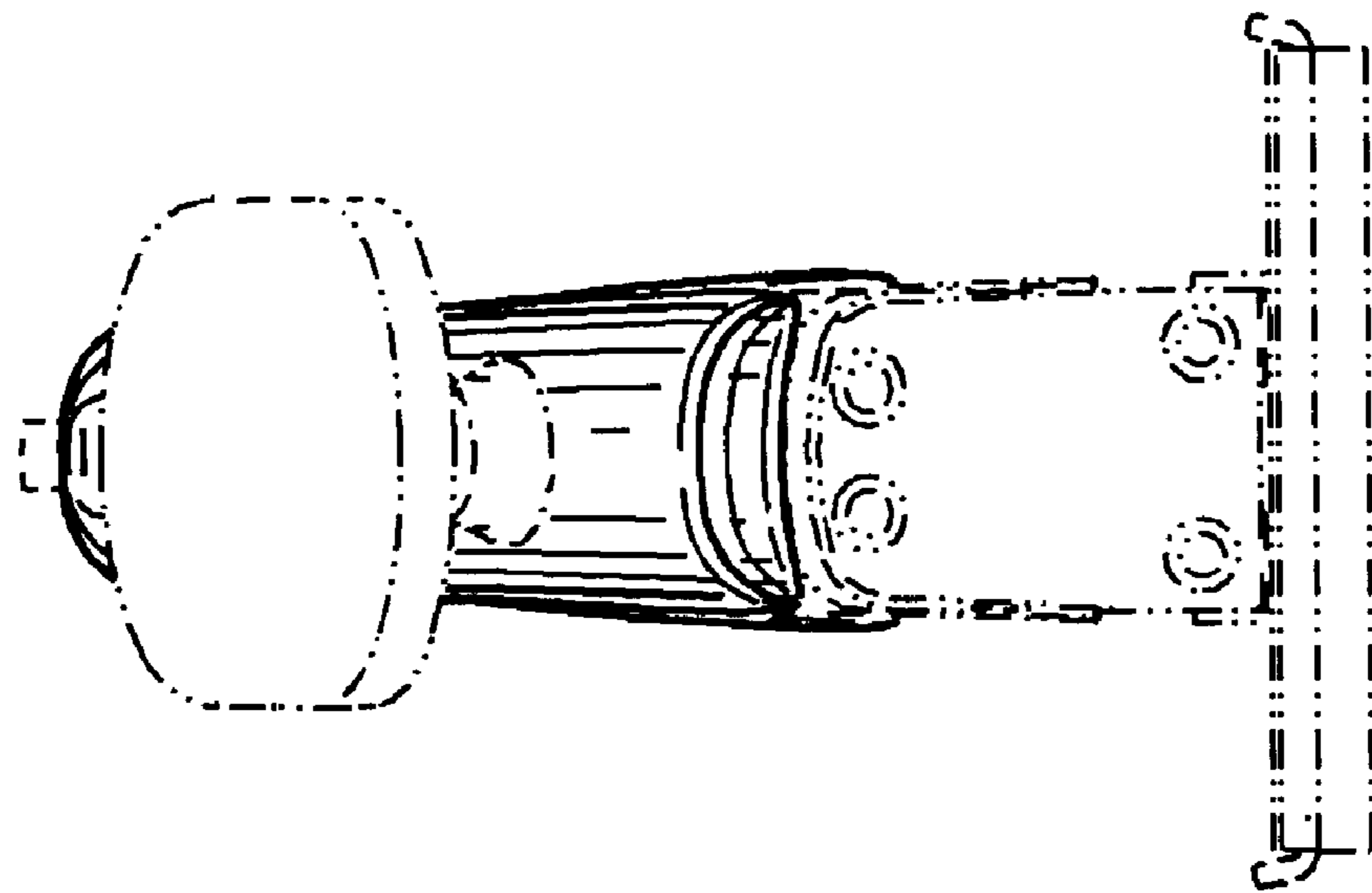


FIG. 5