

US00D517387S

(12) **United States Design Patent**
Lewis

(10) **Patent No.:** **US D517,387 S**
(45) **Date of Patent:** **** Mar. 21, 2006**

(54) **CROWN MOLDING STOP**

(75) **Inventor:** **Christopher J. Lewis**, Anderson, SC
(US)

(73) **Assignee:** **Eastway Fair Company Limited** (VG)

(**) **Term:** **14 Years**

(21) **Appl. No.:** **29/198,845**

(22) **Filed:** **Feb. 5, 2004**

(51) **LOC (8) Cl.** **08-05**

(52) **U.S. Cl.** **D8/71**

(58) **Field of Classification Search** D8/71,
D8/14, 70, 72, 73, 74, 349, 354, 373, 395;
D6/553; D15/130, 132, 138, 139, 140, 141,
D15/136; 206/349; 211/70.1, 70.6; 248/127,
248/146, 156; 173/132

See application file for complete search history.

(56) **References Cited**

U.S. PATENT DOCUMENTS

D282,075 S * 1/1986 Schell D8/71

D318,813 S * 8/1991 Salazar et al. D10/64
D397,703 S * 9/1998 Williamson D15/136
6,095,024 A * 8/2000 Brutscher et al. 83/35

* cited by examiner

Primary Examiner—Gary D. Watson

Assistant Examiner—T. Chase Nelson

(74) *Attorney, Agent, or Firm*—Brinks Hofer Gilson & Lione

(57) **CLAIM**

The ornamental design for a crown molding stop, as shown and described.

DESCRIPTION

FIG. 1 is a perspective view of the crown molding stop of the present invention;

FIG. 2 is a right side elevational view thereof;

FIG. 3 is a left side elevational view thereof;

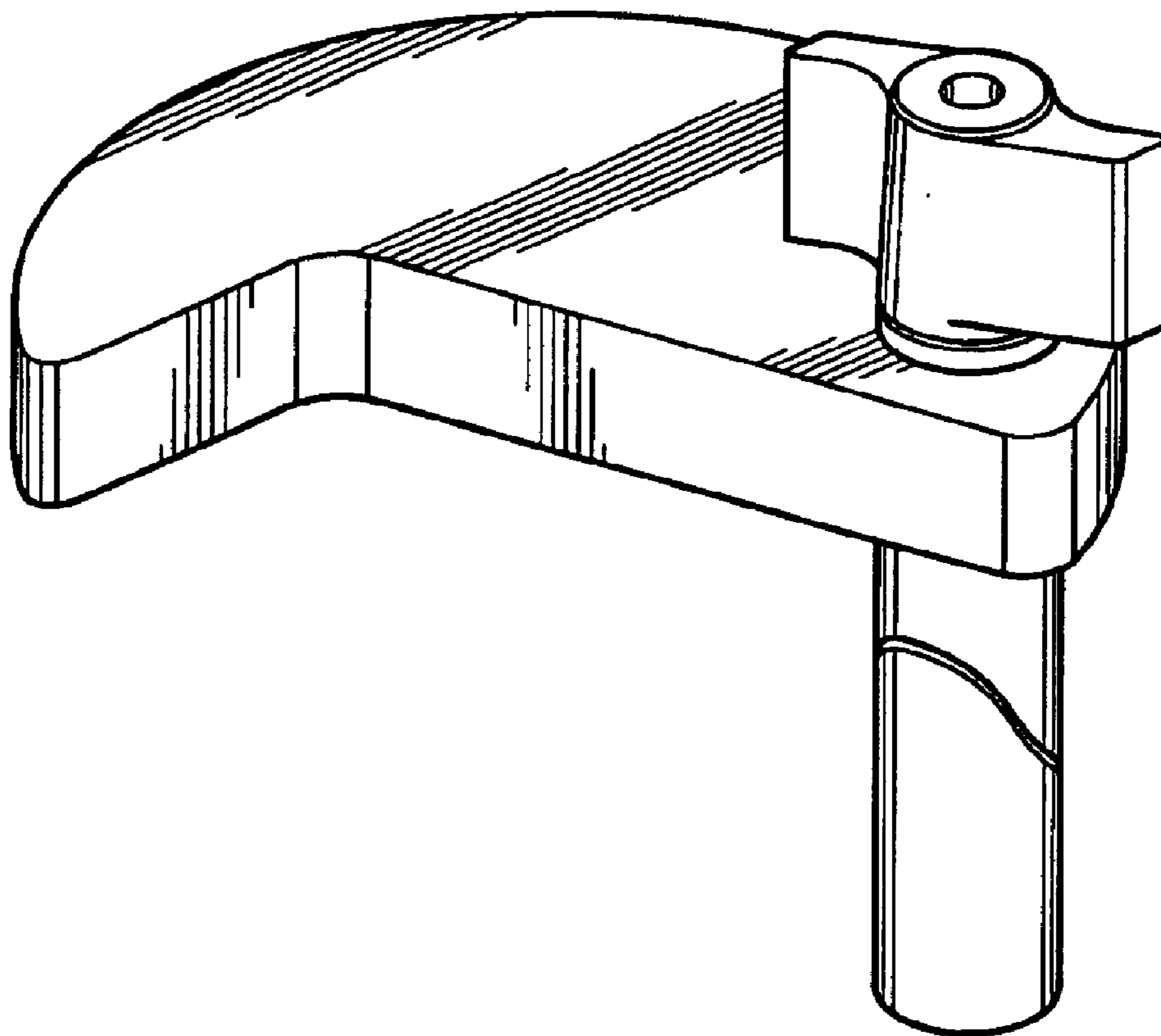
FIG. 4 is a front view thereof;

FIG. 5 is a rear view thereof;

FIG. 6 is a top view thereof; and,

FIG. 7 is a bottom view thereof.

1 Claim, 3 Drawing Sheets



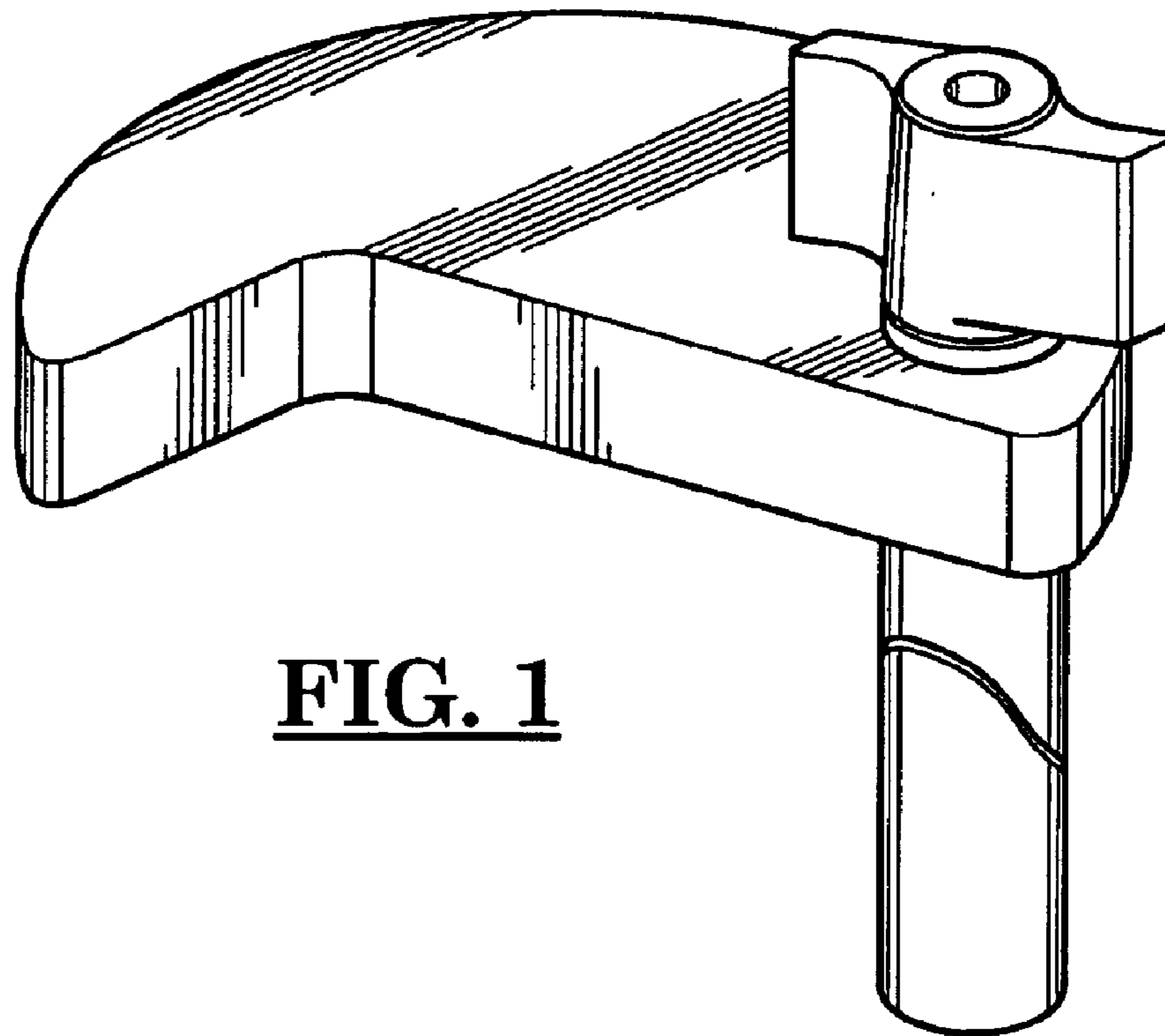


FIG. 1

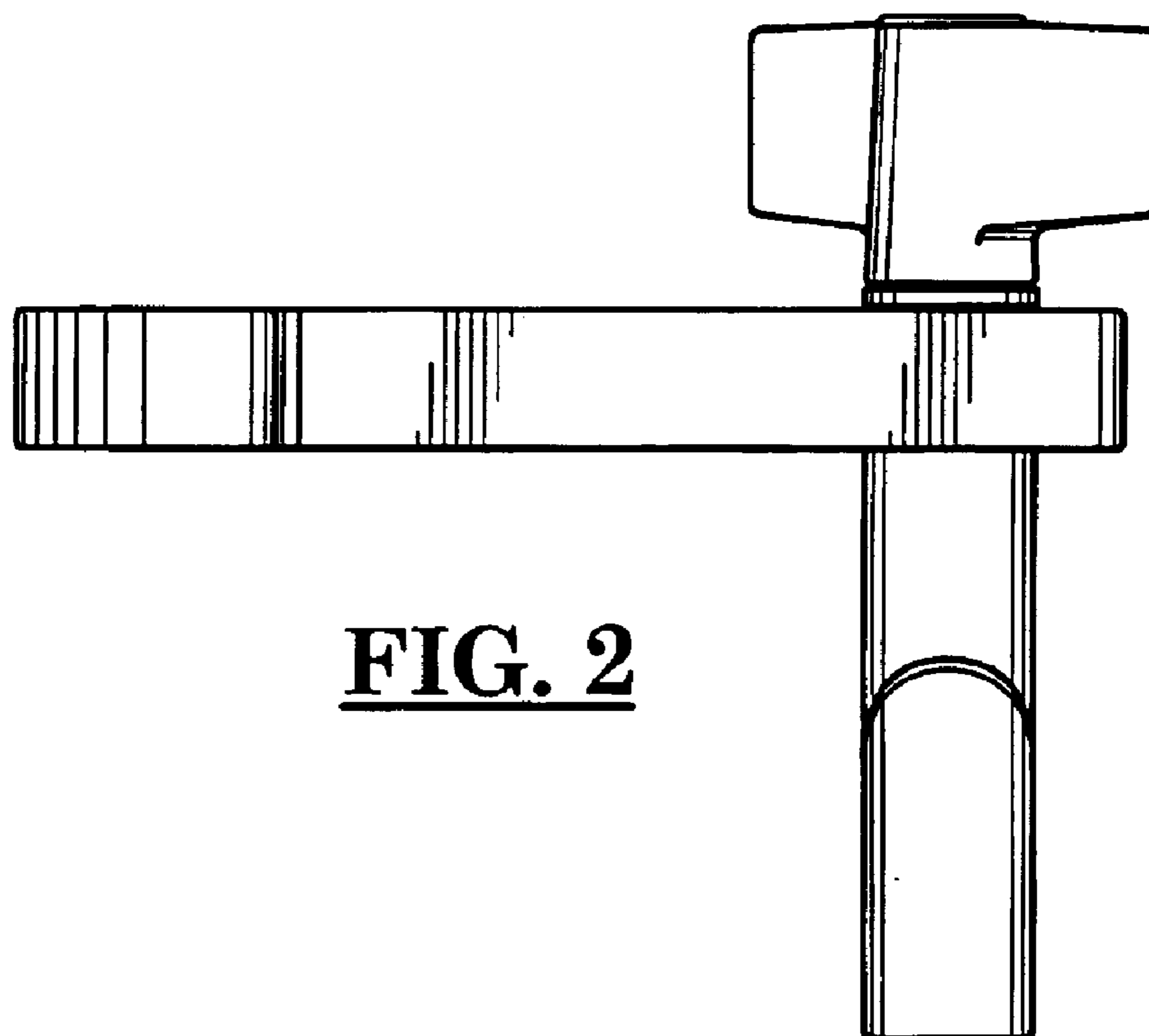


FIG. 2

