



US00D517386S

(12) **United States Design Patent**
Parafinczuk et al.

(10) **Patent No.:** **US D517,386 S**
(45) **Date of Patent:** **** Mar. 21, 2006**

(54) **JIGSAW**

(75) Inventors: **Tadeusz Parafinczuk**, Palatine, IL (US); **Mark Heintz**, Chicago, IL (US); **Frank Sterpka**, West Hartford, CT (US); **Jason S. Lind**, Backhampsted, CT (US); **Robert H. Bruno**, Avon, CT (US)

(73) Assignee: **Credo Technology Corporation**,
Wilmington, DE (US)

(**) Term: **14 Years**

(21) Appl. No.: **29/219,715**

(22) Filed: **Dec. 21, 2004**

(51) **LOC (8) Cl.** **08-03**

(52) **U.S. Cl.** **D8/64**

(58) **Field of Classification Search** D8/69,
D8/68, 67, 66, 64, 61; 83/747, 699.21; 310/50;
30/394, 393, 392, 391, 390, 377, 376; 173/217,
173/216

See application file for complete search history.

(56) **References Cited**

U.S. PATENT DOCUMENTS

- D175,185 S * 7/1955 Oakley D8/64
- D191,570 S * 10/1961 Downs D8/64
- D295,945 S * 5/1988 Sakamoto et al. D8/64
- D297,401 S * 8/1988 Clowers D8/64

- D410,183 S * 5/1999 Thomson D8/69
- D420,876 S * 2/2000 Bosten et al. D8/64
- D423,314 S * 4/2000 Robson D8/64
- D426,124 S * 6/2000 Kassalen et al. D8/64
- D446,703 S * 8/2001 Netzler D8/64
- D454,476 S * 3/2002 Bruno D8/64
- D462,591 S * 9/2002 Gist D8/64
- D475,264 S * 6/2003 Kondo et al. D8/64

* cited by examiner

Primary Examiner—Cathron C. Brooks

Assistant Examiner—Austin Murphy

(74) *Attorney, Agent, or Firm*—Victor A. Henzi

(57) **CLAIM**

The ornamental design for a jigsaw, as shown and described.

DESCRIPTION

FIG. 1 is a front right perspective view of the present new design for a jigsaw;

FIG. 2 is a right elevational view thereof;

FIG. 3 is a left elevational view thereof;

FIG. 4 is a top plan view thereof;

FIG. 5 is a bottom plan view thereof;

FIG. 6 is a front elevational view thereof; and,

FIG. 7 is a rear elevational view thereof.

The broken lines showing various features of a jigsaw are for illustrative purposes only and form no part of the claimed design.

1 Claim, 6 Drawing Sheets

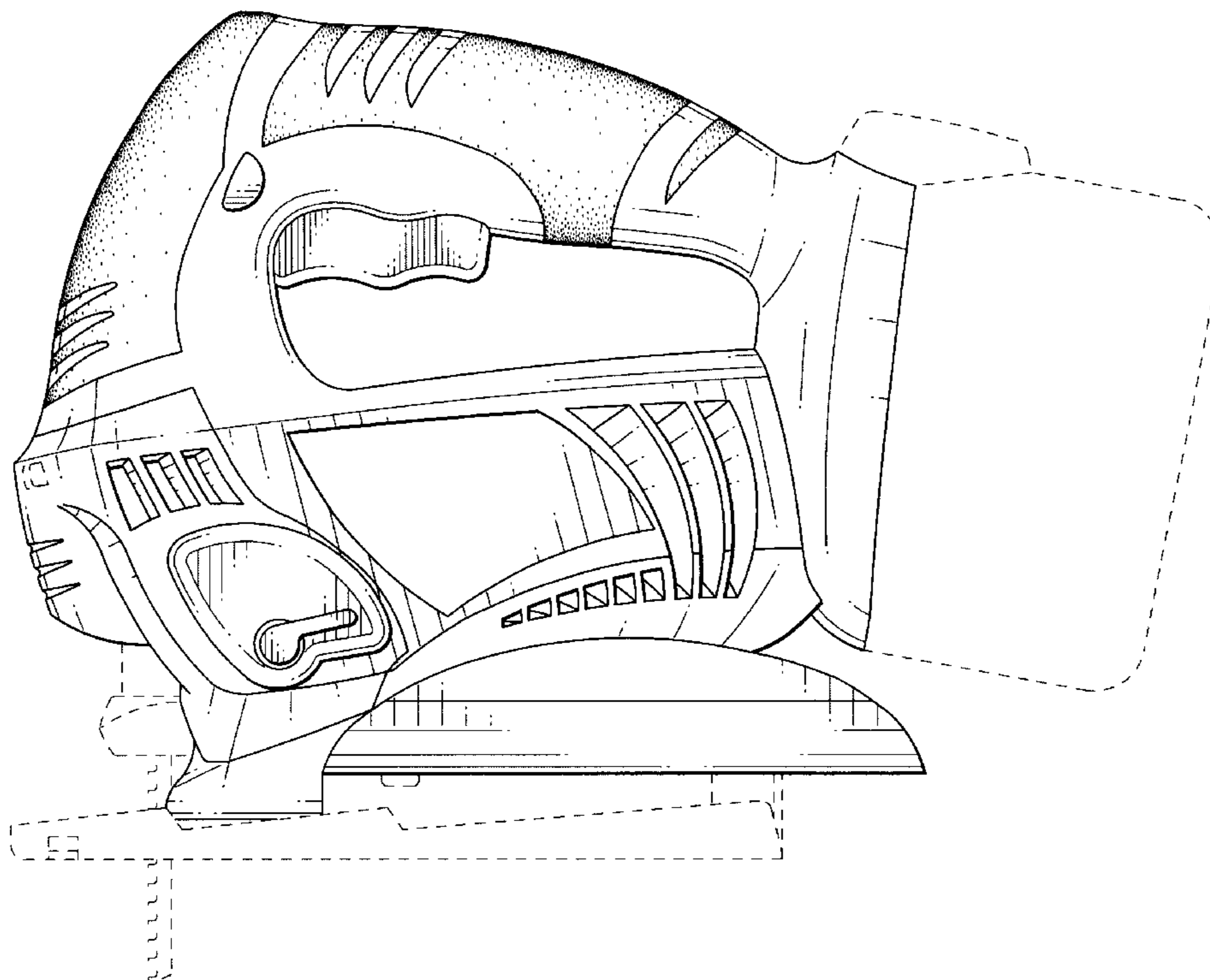


FIG. 1

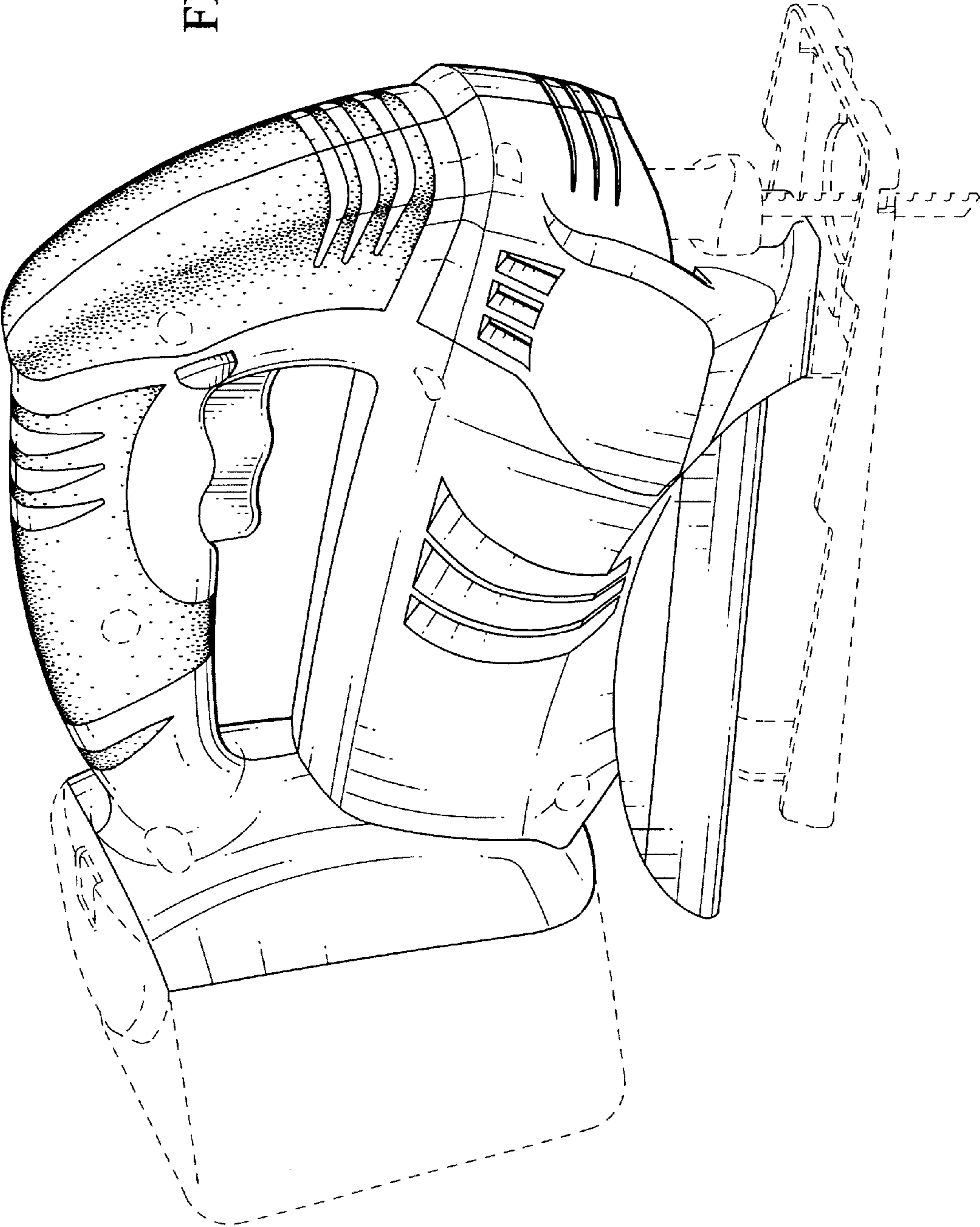
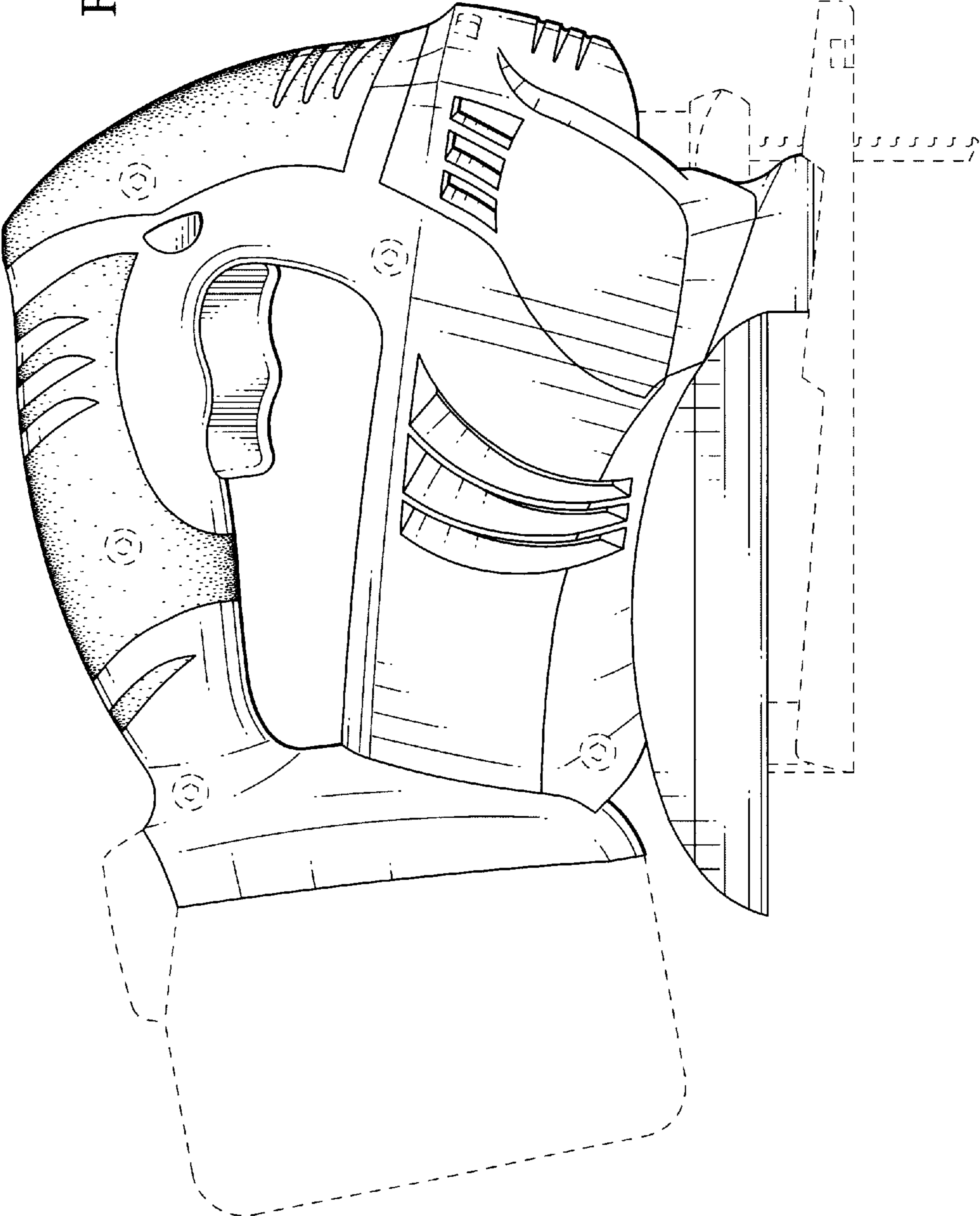


FIG. 2



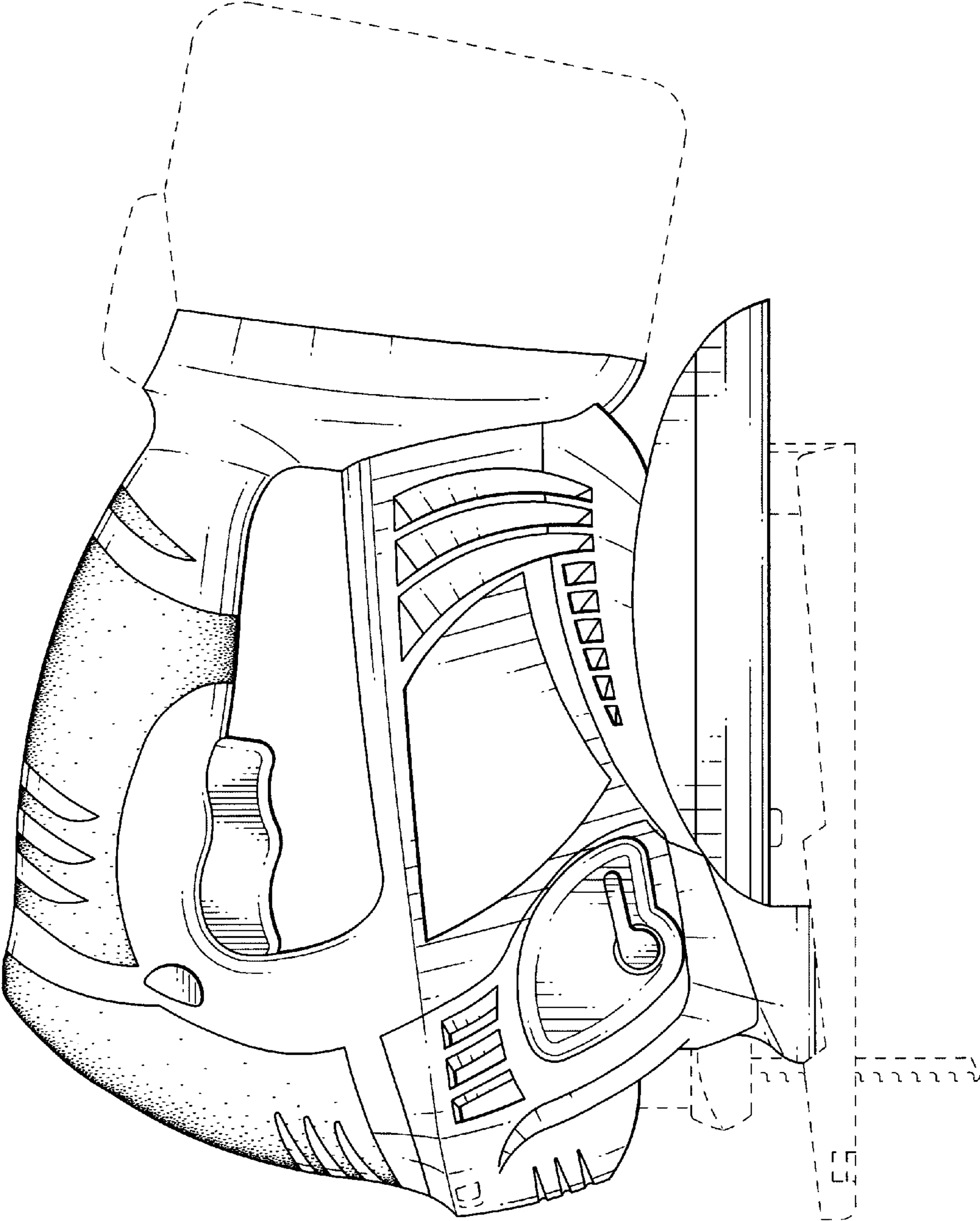


FIG. 3

FIG. 4

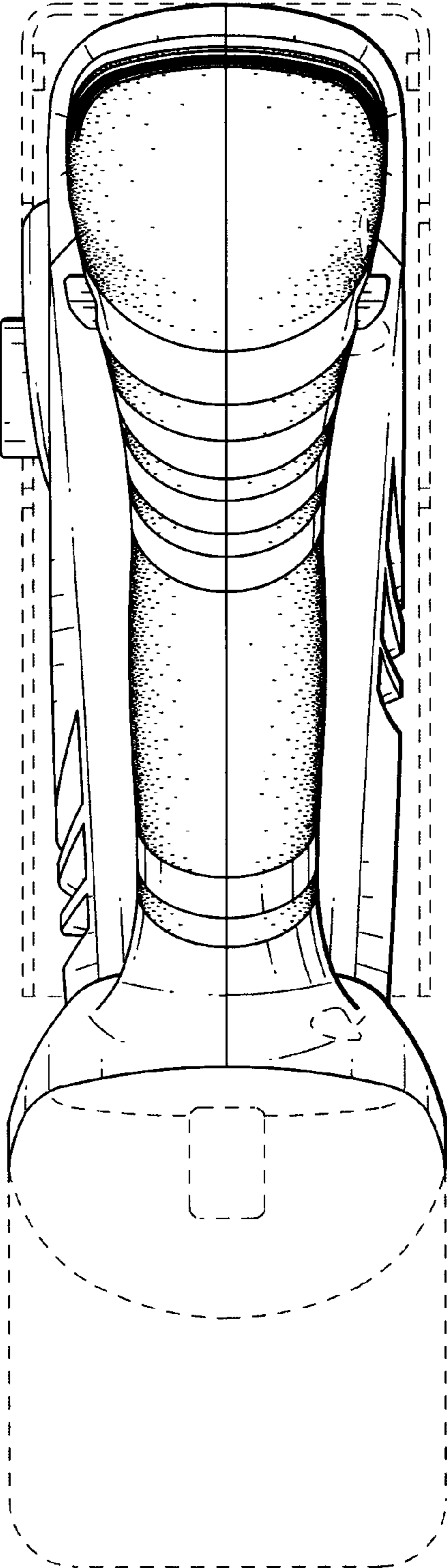
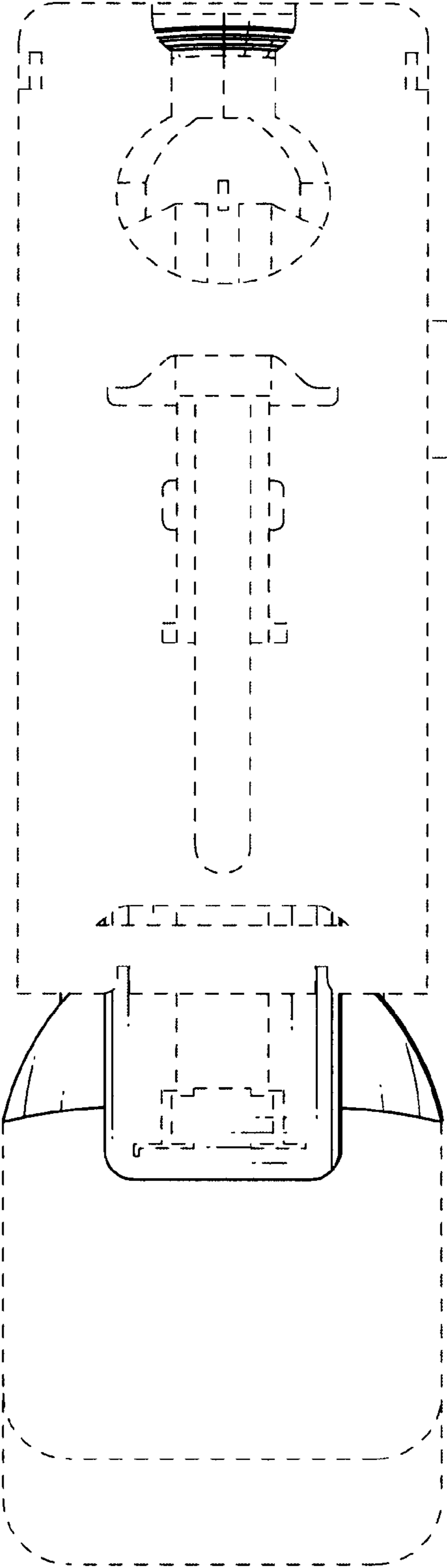


FIG. 5



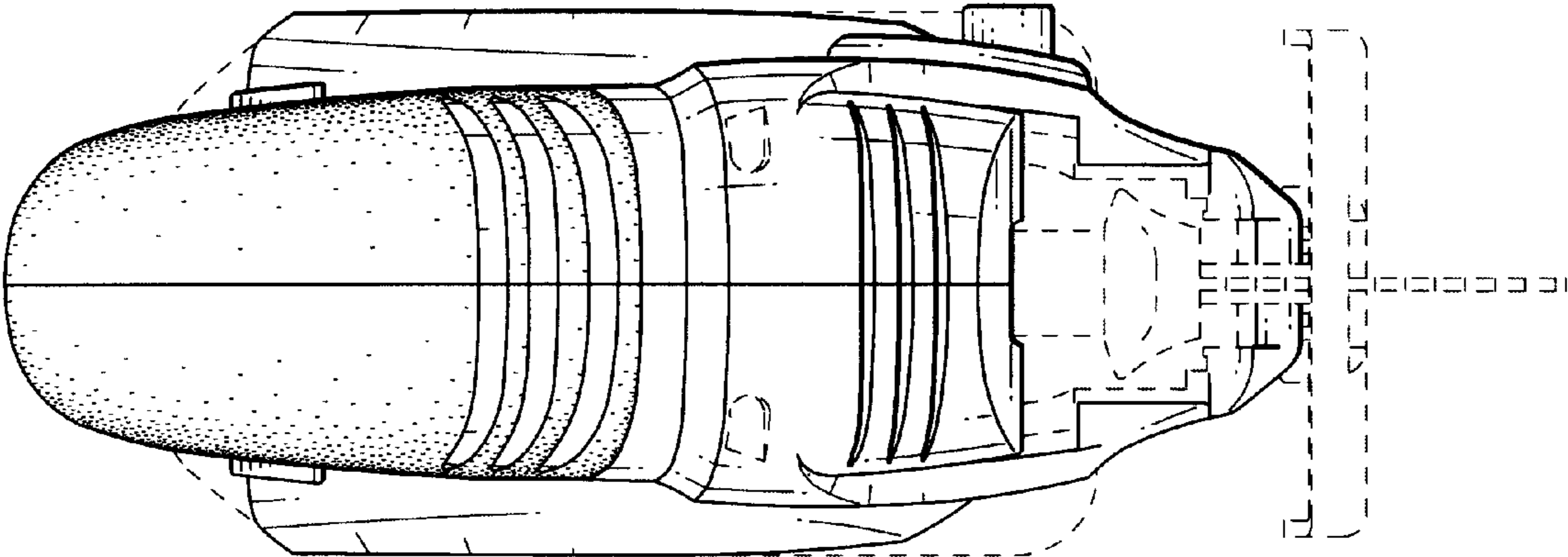


FIG. 6

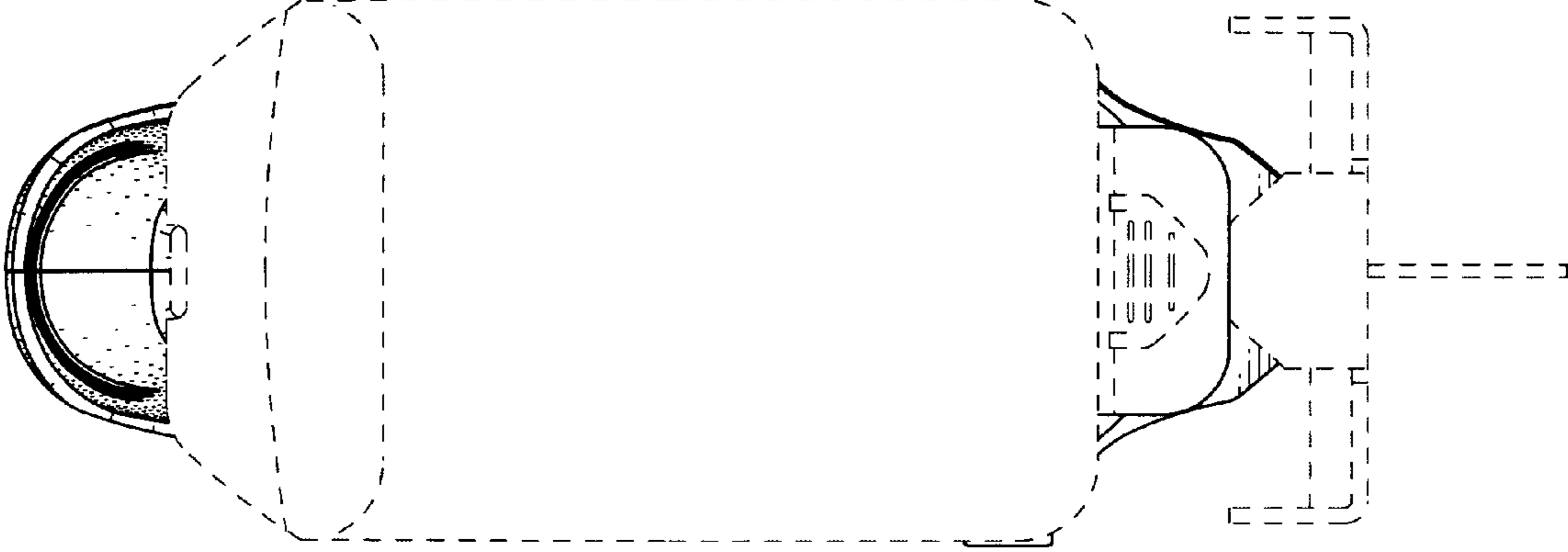


FIG. 7