



US00D517376S

(12) **United States Design Patent**
Conable

(10) **Patent No.:** **US D517,376 S**
(45) **Date of Patent:** **** Mar. 21, 2006**

(54) **KNIFE HOLDER**

FOREIGN PATENT DOCUMENTS

(76) Inventor: **Rachel Conable**, 925 SE. Davis,
McMinnville, OR (US) 97128

GB 2 389 031 3/2003

* cited by examiner

(**) Term: **14 Years**

Primary Examiner—Terry A. Wallace

(21) Appl. No.: **29/211,370**

(74) *Attorney, Agent, or Firm*—Leatherwood Walker Todd
& Mann, P.C.; Thomas W. Epting

(22) Filed: **Aug. 13, 2004**

(57) **CLAIM**

(51) **LOC (8) Cl.** **07-06**

The ornamental design for a knife holder, as shown and described.

(52) **U.S. Cl.** **D7/637**

(58) **Field of Classification Search** D7/637–641;
211/70.6, 70.7; 248/37.6, 37.3; 30/298.4

See application file for complete search history.

DESCRIPTION

(56) **References Cited**

FIG. 1 is a perspective view, from the front, of my new design;

FIG. 2 is a perspective view, from the rear, thereof;

FIG. 3 is a top plan view thereof;

FIG. 4 is a left side elevational view thereof;

FIG. 5 is a bottom plan view thereof;

FIG. 6 is a rear elevational view thereof;

FIG. 7 is a front elevational view thereof; and,

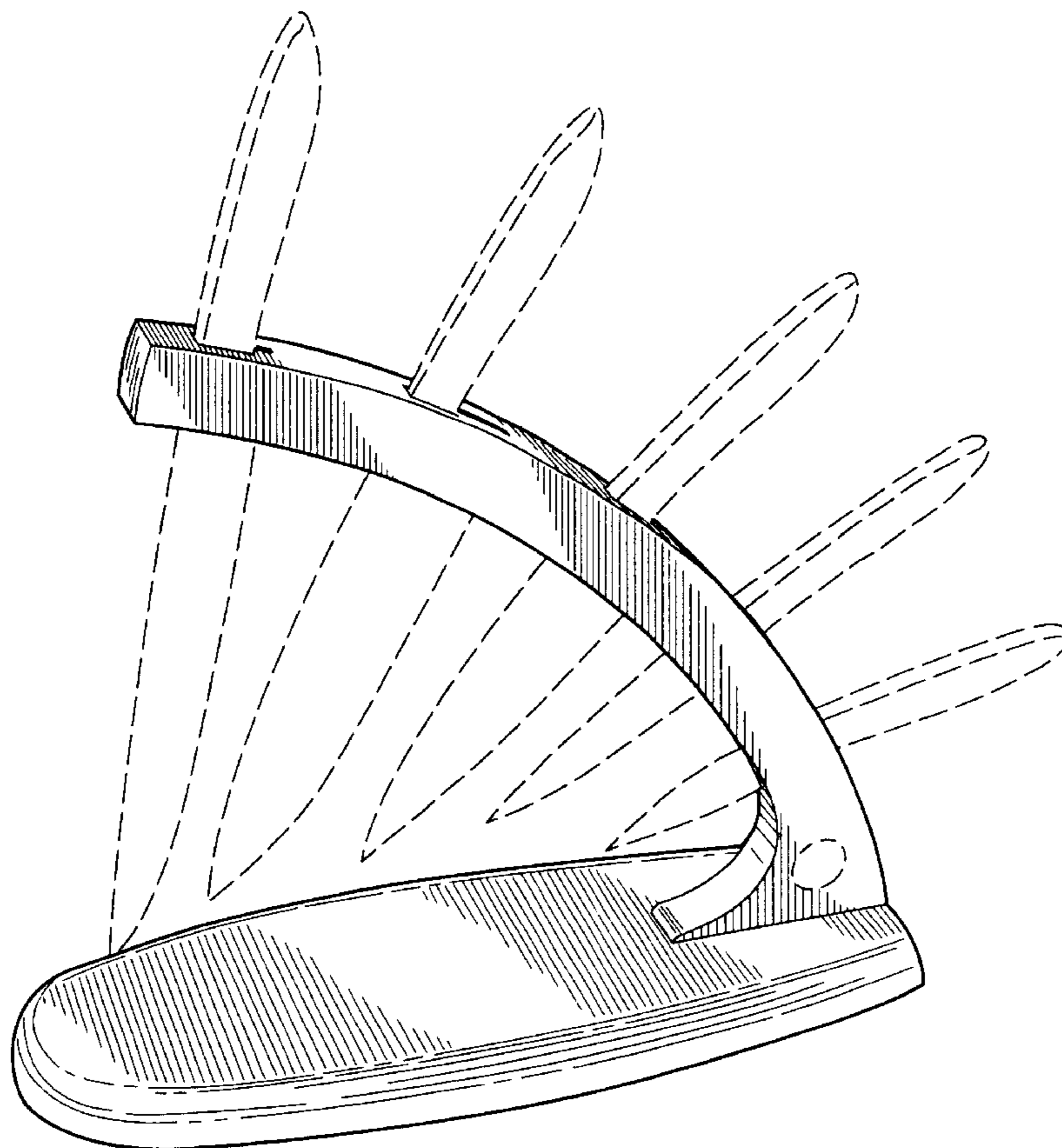
FIG. 8 is a perspective view of an alternate embodiment of my new design.

The broken lines showing the knives are for illustrative purposes only and form no part of the claimed design.

U.S. PATENT DOCUMENTS

2,457,032 A	12/1948	Case	
4,183,439 A	1/1980	Bell	
4,492,028 A	1/1985	Bourgein	
D292,359 S	10/1987	Daw	
5,011,102 A	4/1991	Kiefer	
D360,810 S *	8/1995	Humaj	D7/637
5,655,672 A *	8/1997	Stuchlik, III	211/70.7
6,216,888 B1	4/2001	Chien	
D443,799 S *	6/2001	Stuchlik, III	D7/637
2002/0175131 A1	11/2002	Johnson	

1 Claim, 5 Drawing Sheets



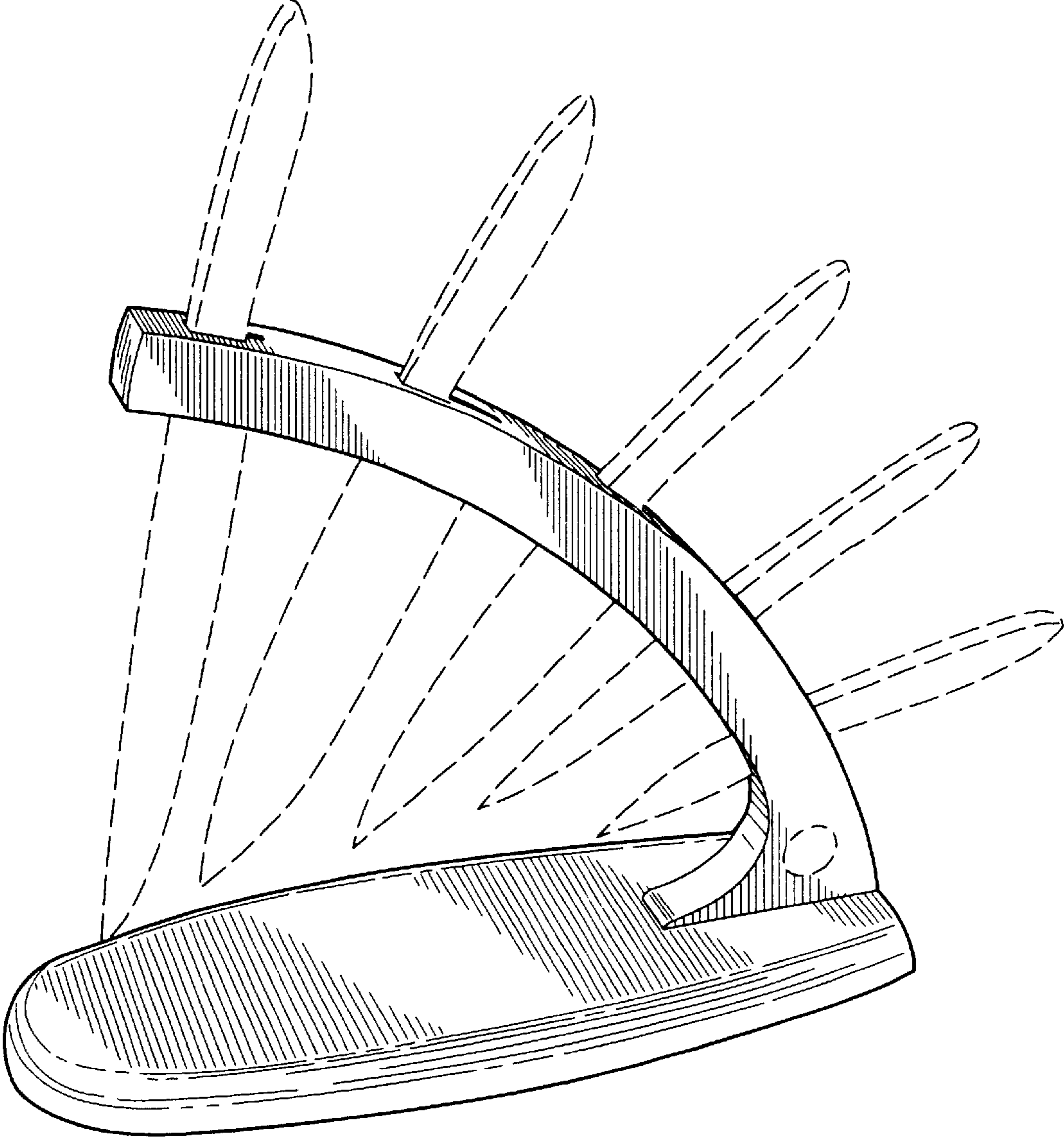


Fig. 1

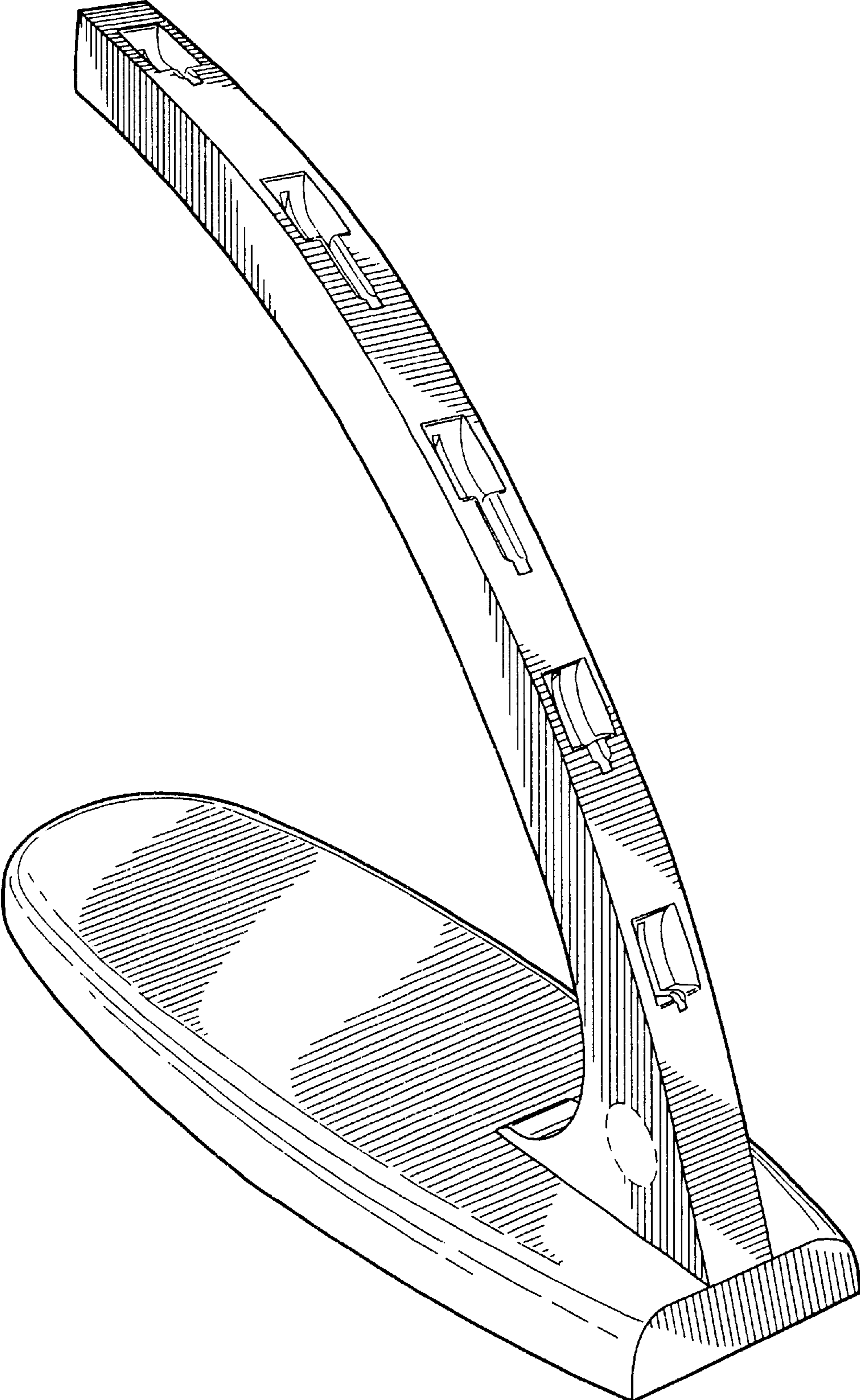


Fig. 2

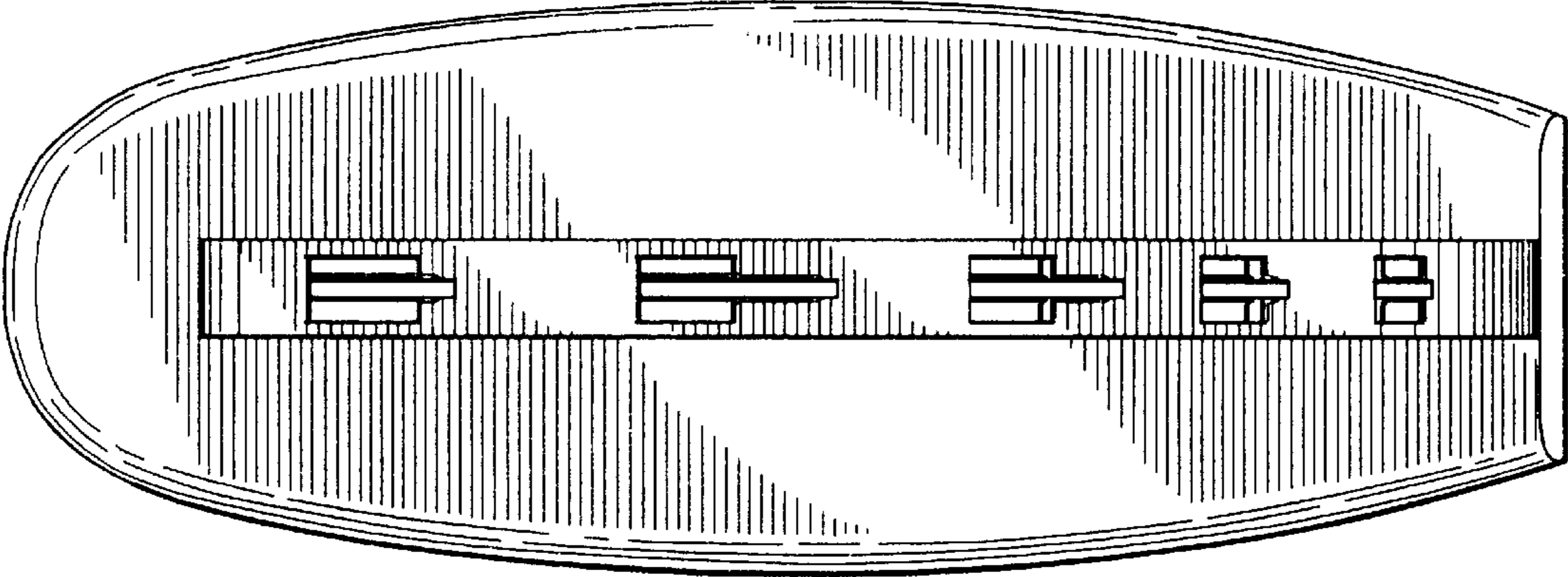


Fig. 3

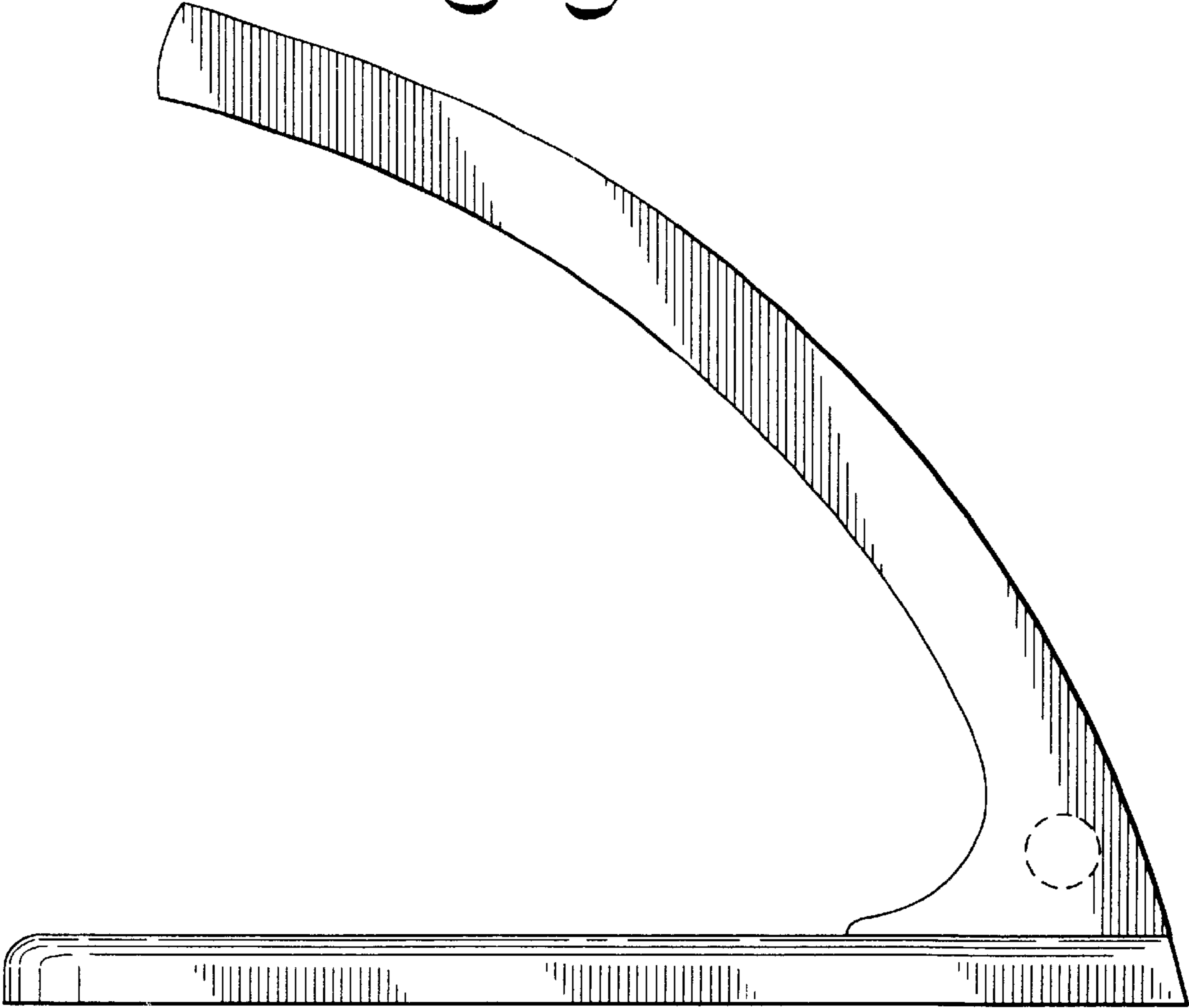


Fig. 4

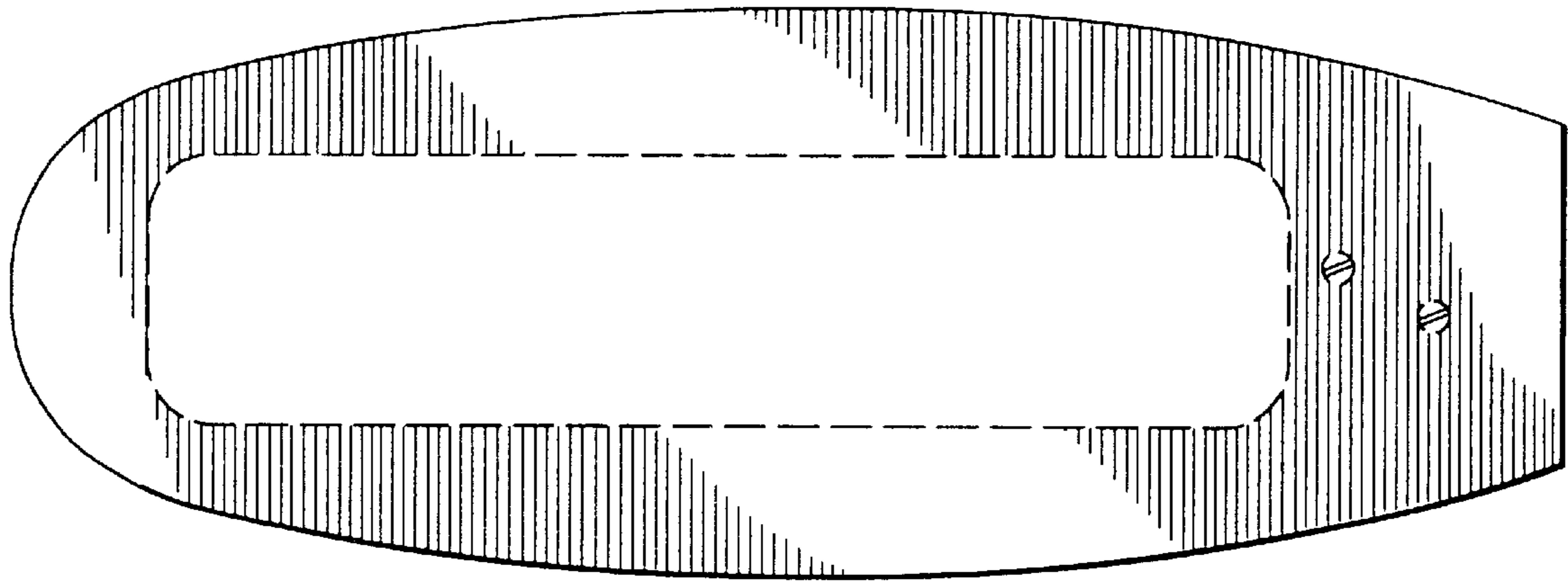


Fig. 5

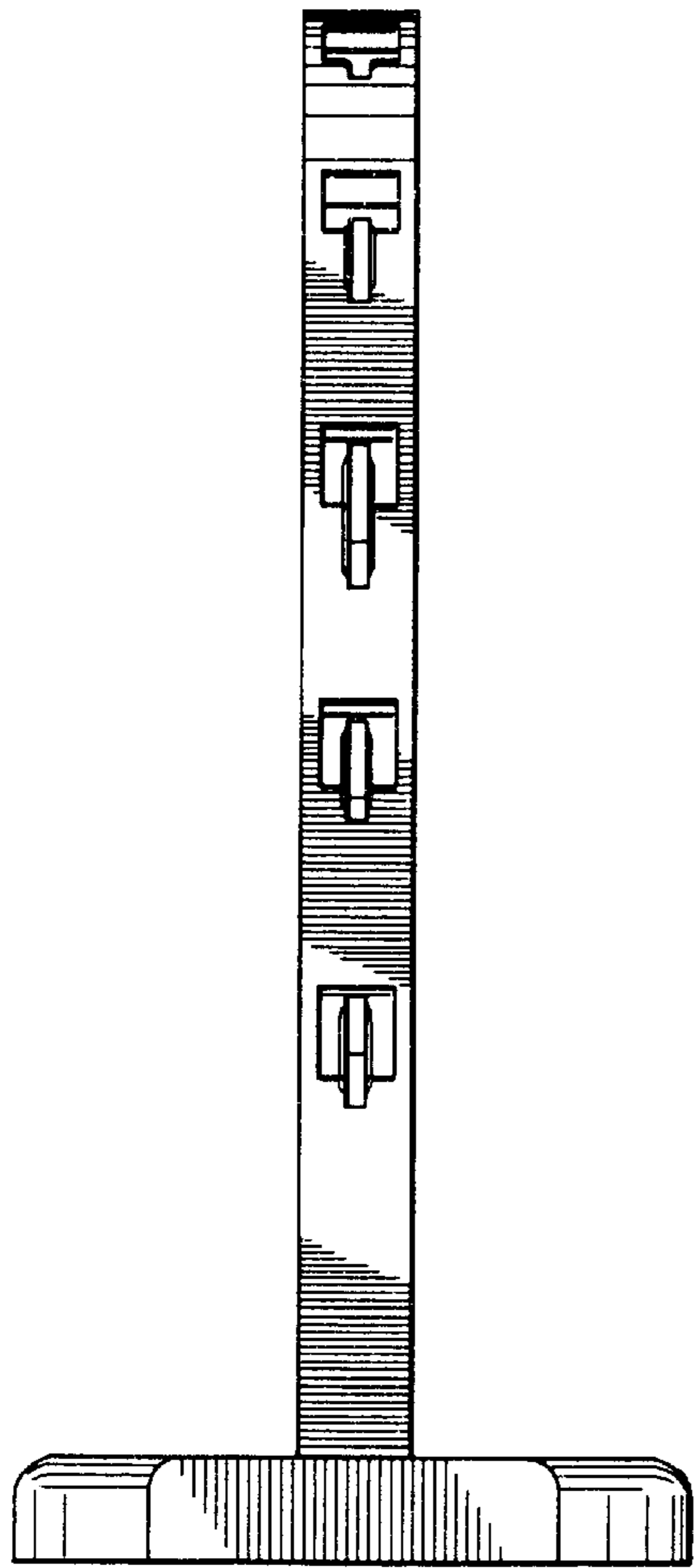


Fig. 6

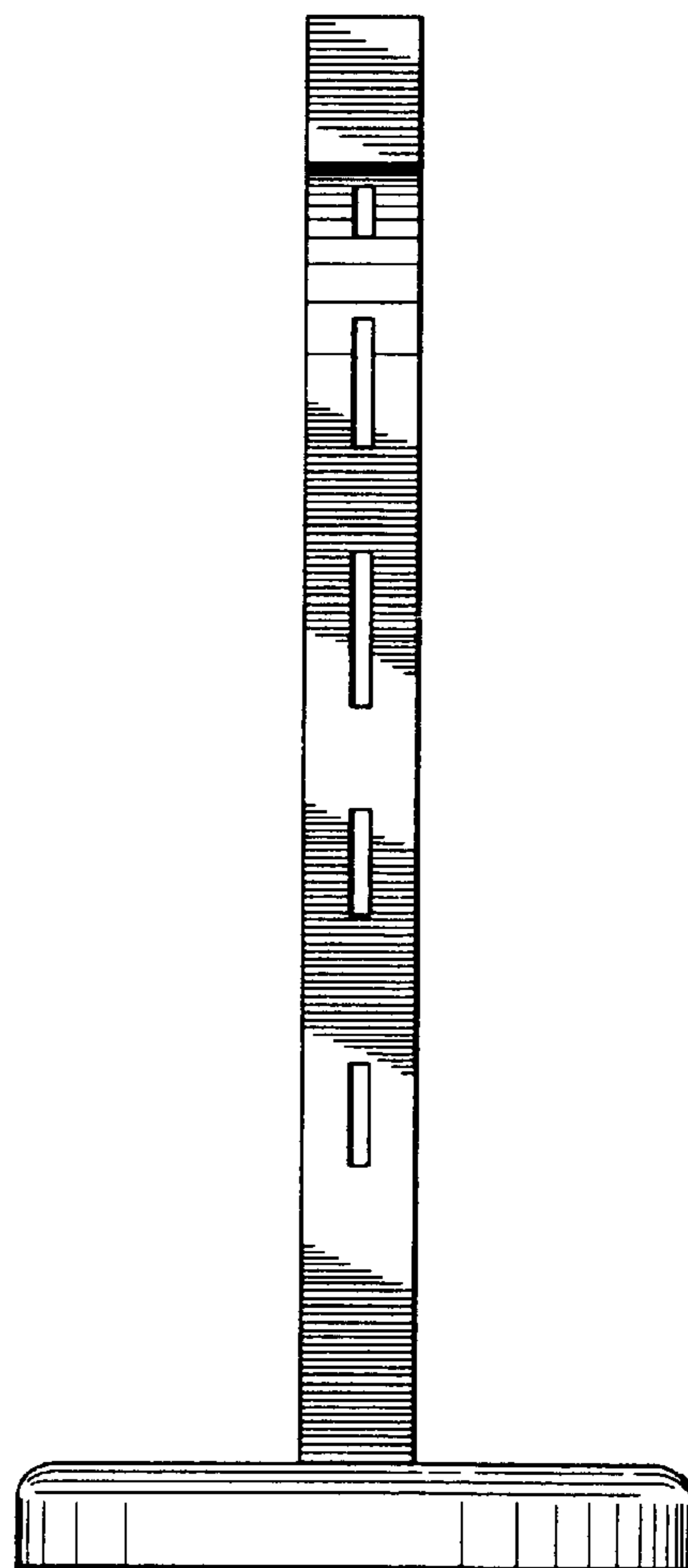


Fig. 7

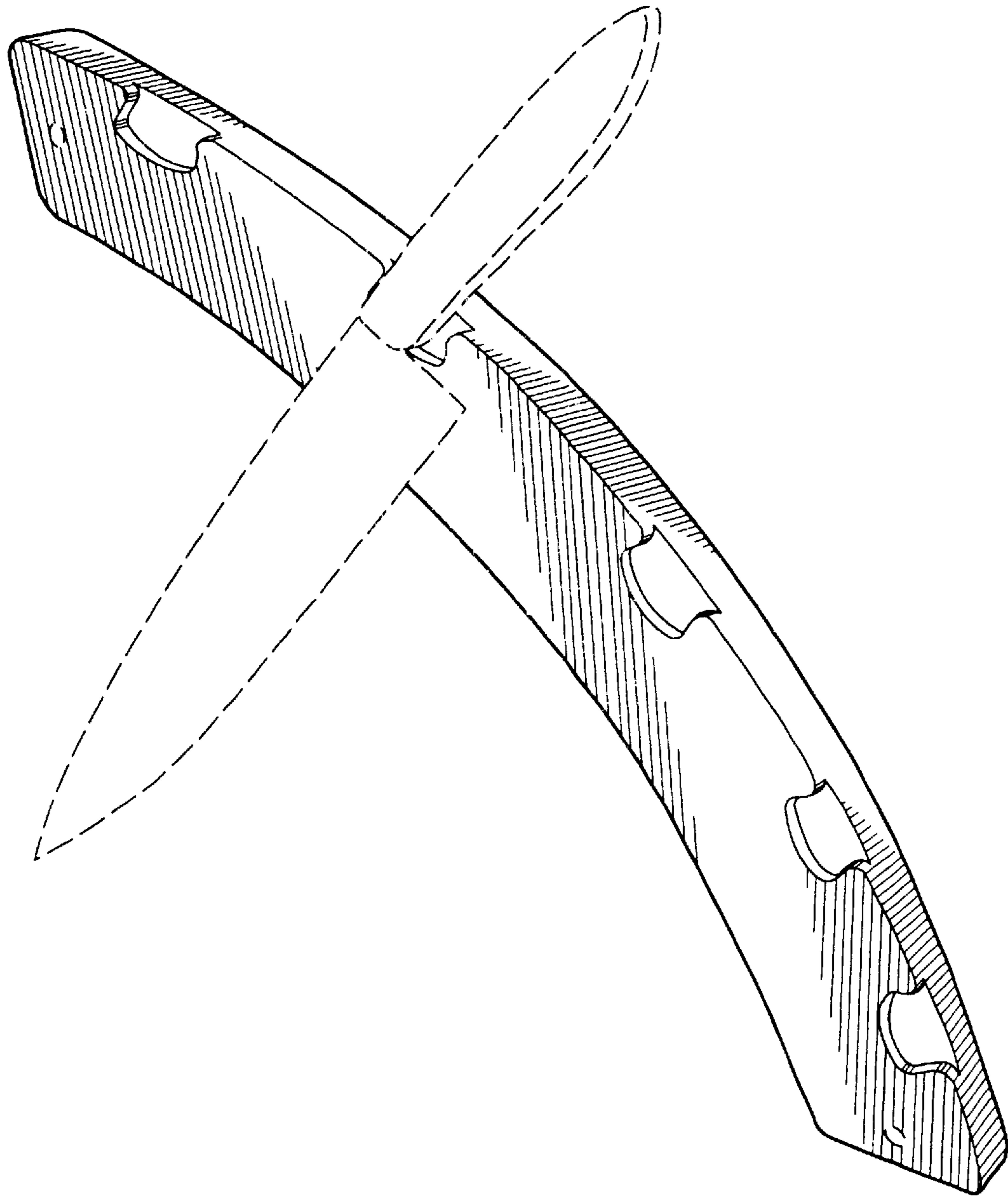


Fig. 8