



US00D517375S

(12) **United States Design Patent**
Waymire

(10) **Patent No.:** **US D517,375 S**
(45) **Date of Patent:** **** Mar. 21, 2006**

(54) **TOOTHPICK TRAY**

(76) **Inventor:** **Katherine Waymire**, 718 Washington Ave N. Suite 405, Minneapolis, MN (US) 55410

(**) **Term:** **14 Years**

(21) **Appl. No.:** **29/212,874**

(22) **Filed:** **Sep. 9, 2004**

(51) **LOC (8) Cl.** **07-99**

(52) **U.S. Cl.** **D7/635**

(58) **Field of Classification Search** D7/635, D7/601; 206/380-383; 211/70.6, 70.7, 68, 211/69, 60.1; 223/109 R

See application file for complete search history.

(56) **References Cited**

U.S. PATENT DOCUMENTS

- D20,788 S * 6/1891 Monroe D7/594
- 4,116,333 A * 9/1978 Pavel 206/380
- 4,203,518 A * 5/1980 Current 206/380

- 4,524,891 A * 6/1985 Silva 223/109 R
- 4,804,101 A * 2/1989 Heath 220/504
- D449,764 S * 10/2001 Takeshita D7/625

* cited by examiner

Primary Examiner—Terry A. Wallace
(74) *Attorney, Agent, or Firm*—Boyle, Fredrickson, Newholm, Stein & Gratz, S.C.

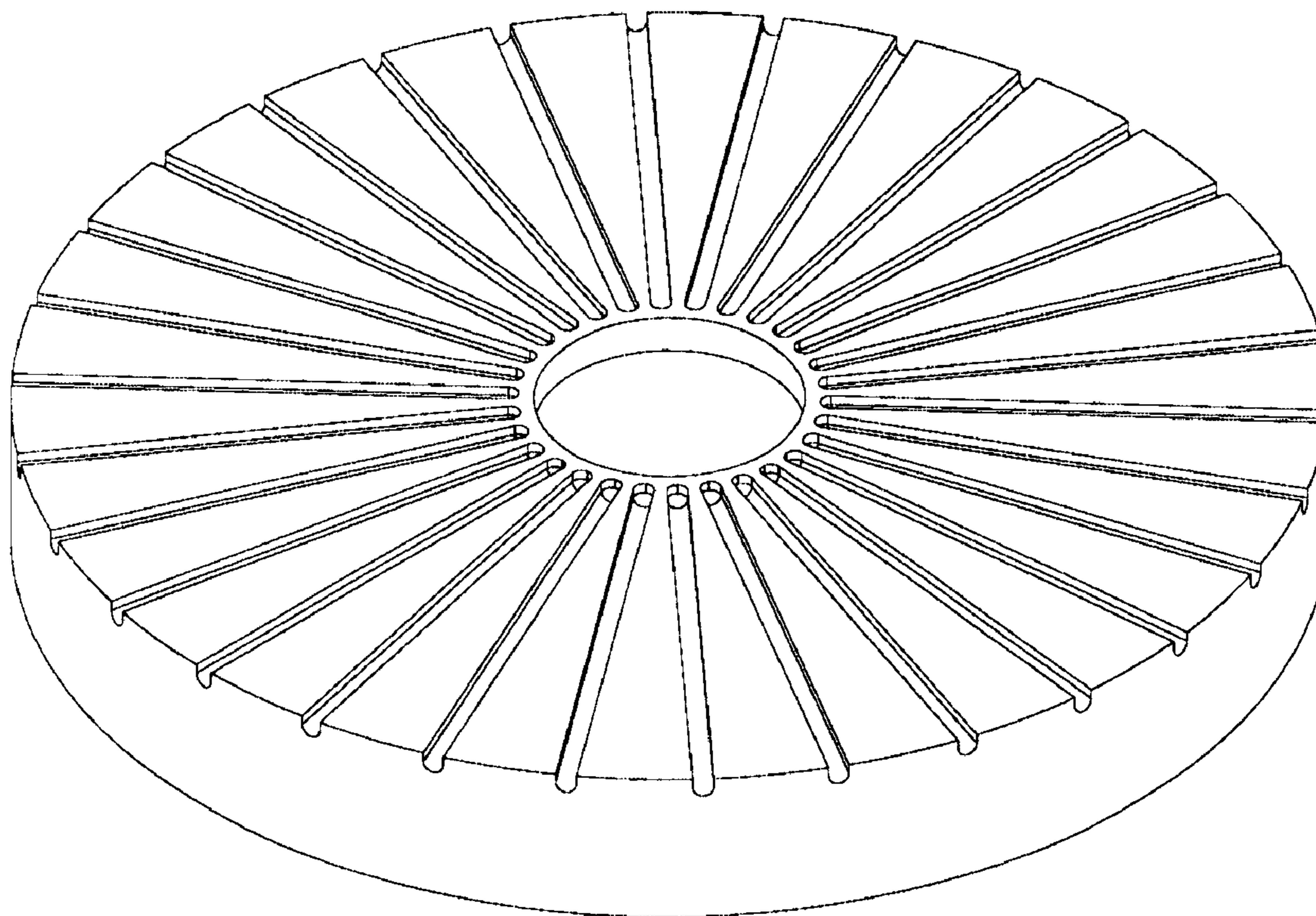
(57) **CLAIM**

The ornamental design for a toothpick tray, as shown and described.

DESCRIPTION

FIG. 1 is a front isometric view of the toothpick tray in accordance with the present invention;
FIG. 2 is a top plan view of the toothpick tray;
FIG. 3 is a bottom plan view of the toothpick tray; and,
FIG. 4 is a front elevational view of the toothpick tray.
The rear, left and right elevational view of the toothpick tray comprise mirror images of the front elevational view depicted in FIG. 4.

1 Claim, 2 Drawing Sheets



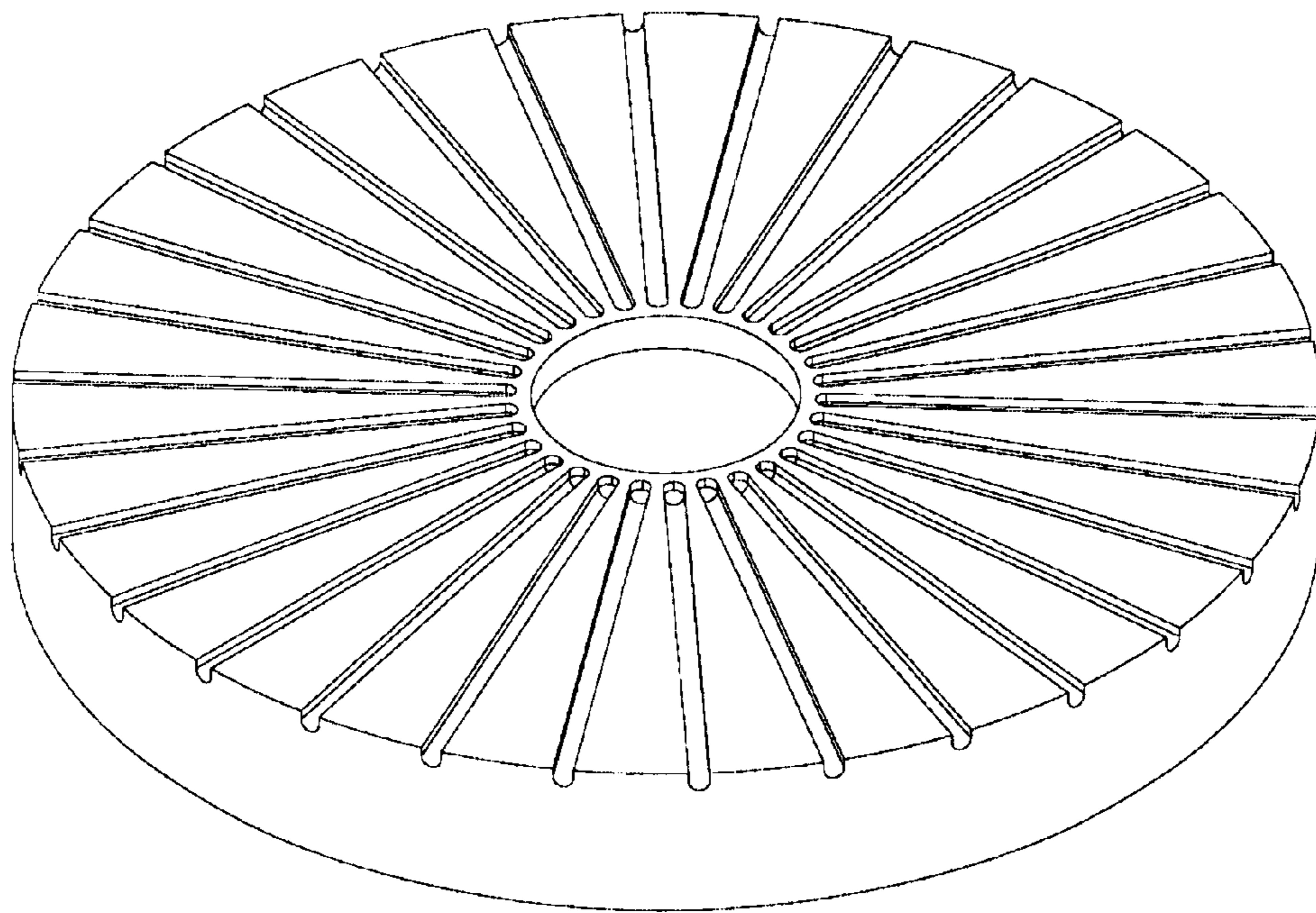


Fig. 1

Fig. 2

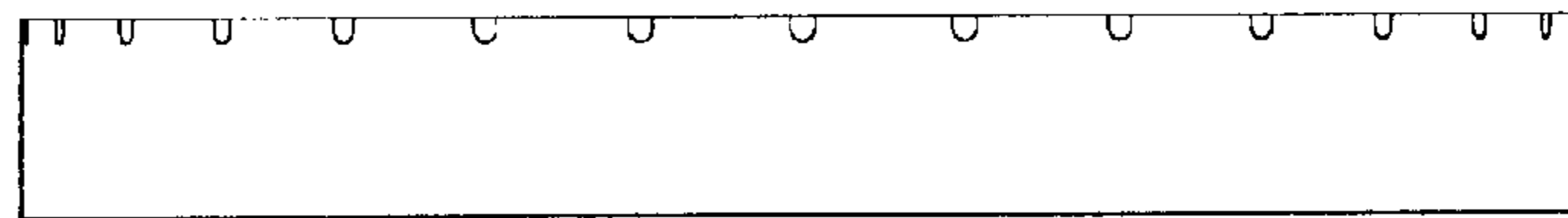
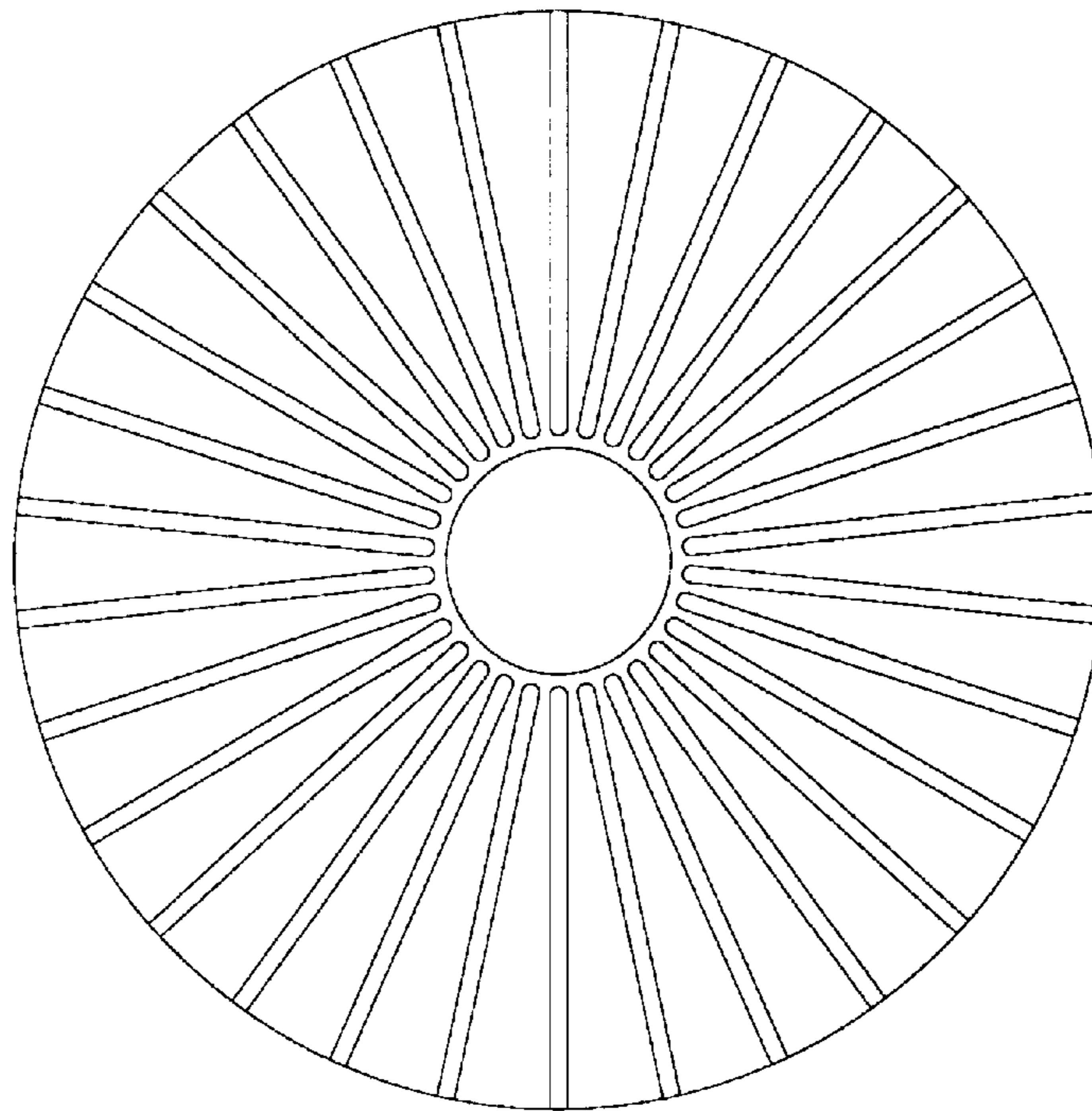


Fig. 3

Fig. 4

