



US00D517373S

(12) **United States Design Patent**
Cappellino et al.

(10) **Patent No.: US D517,373 S**
(45) **Date of Patent: ** Mar. 21, 2006**

(54) **CUP HOLDER**
(75) Inventors: **Giuseppe Cappellino, Tecumseh (CA);**
Carlo Severini, Tecumseh (CA)
(73) Assignee: **Mold Cam Engineering Inc.,**
Tecumseh (CA)

D304,795 S * 11/1989 Klopp D7/620
5,244,175 A 9/1993 Frankel 348/215
5,494,306 A 2/1996 Adamson et al. 280/33.992
D378,040 S * 2/1997 Flint et al. D7/620
5,695,162 A 12/1997 DiCastro 248/231.81
6,644,524 B1 11/2003 Garvin 224/411

(**) Term: **14 Years**

FOREIGN PATENT DOCUMENTS

CA 2205141 11/1998

(21) Appl. No.: **29/211,898**

* cited by examiner

(22) Filed: **Aug. 24, 2004**

Primary Examiner—Terry A. Wallace

(30) **Foreign Application Priority Data**

(74) *Attorney, Agent, or Firm*—Baker & Daniels LLP

May 27, 2004 (CA) 107130

(57) **CLAIM**

The ornamental design of a cup holder, as shown.

(51) **LOC (8) Cl.** **07-06**

DESCRIPTION

(52) **U.S. Cl.** **D7/620; D7/708.1**

(58) **Field of Classification Search** D7/619.1–625,
D7/701–708.1; 211/41.2, 74, 75; 220/737–740;
224/411, 926; 248/311.2, 231.81, 229.16
See application file for complete search history.

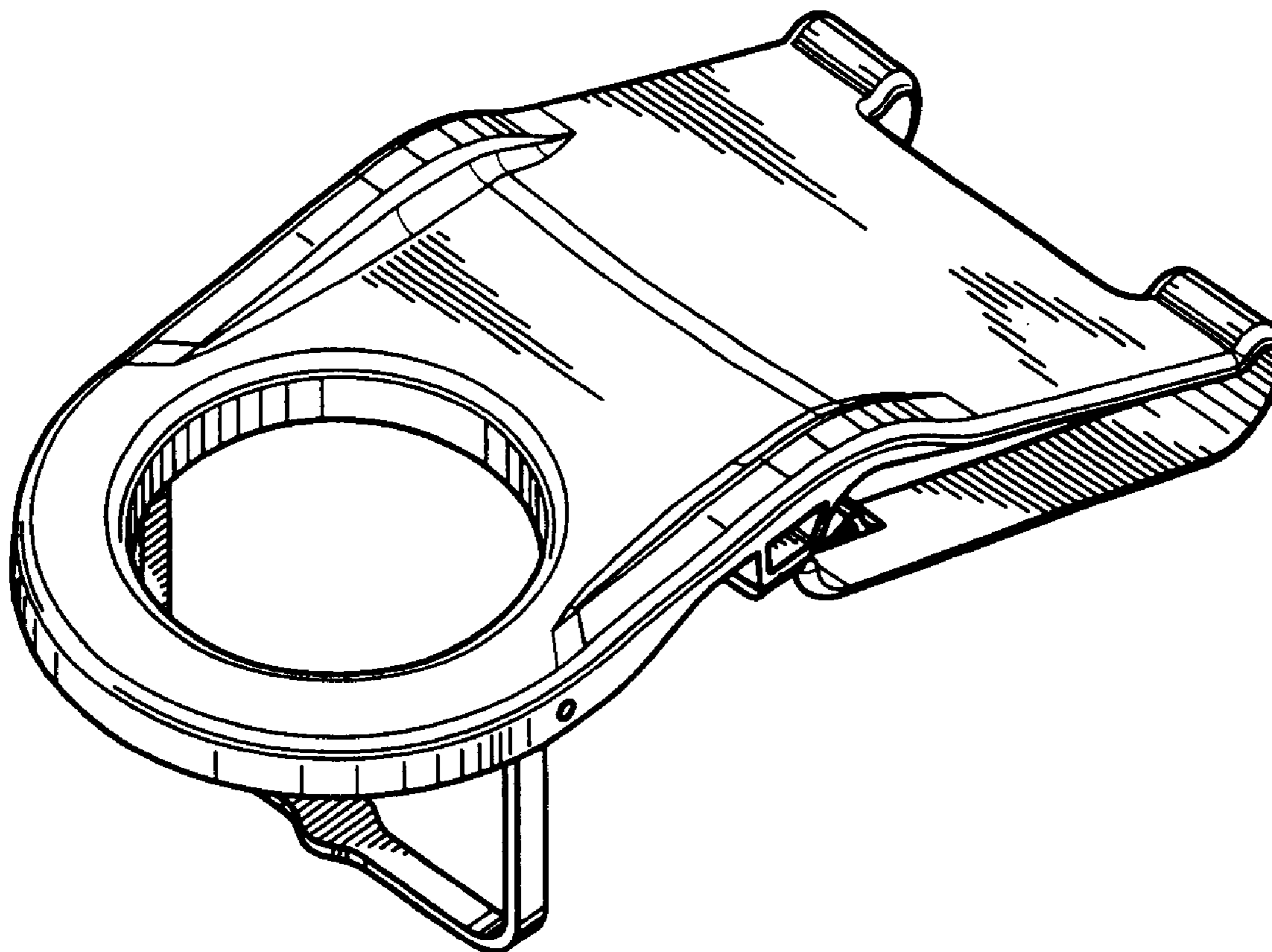
FIG. 1 is a perspective view of the cup holder;
FIG. 2 is a top view of the cup holder;
FIG. 3 is a bottom view of the cup holder;
FIG. 4 is a left side view of the cup holder;
FIG. 5 is a right side view of the cup holder;
FIG. 6 is a back view of the cup holder; and,
FIG. 7 is a front view of the cup holder.

(56) **References Cited**

U.S. PATENT DOCUMENTS

2,719,414 A * 10/1955 Davis 220/738
2,879,023 A * 3/1959 Barrier et al. 248/231.41

1 Claim, 2 Drawing Sheets



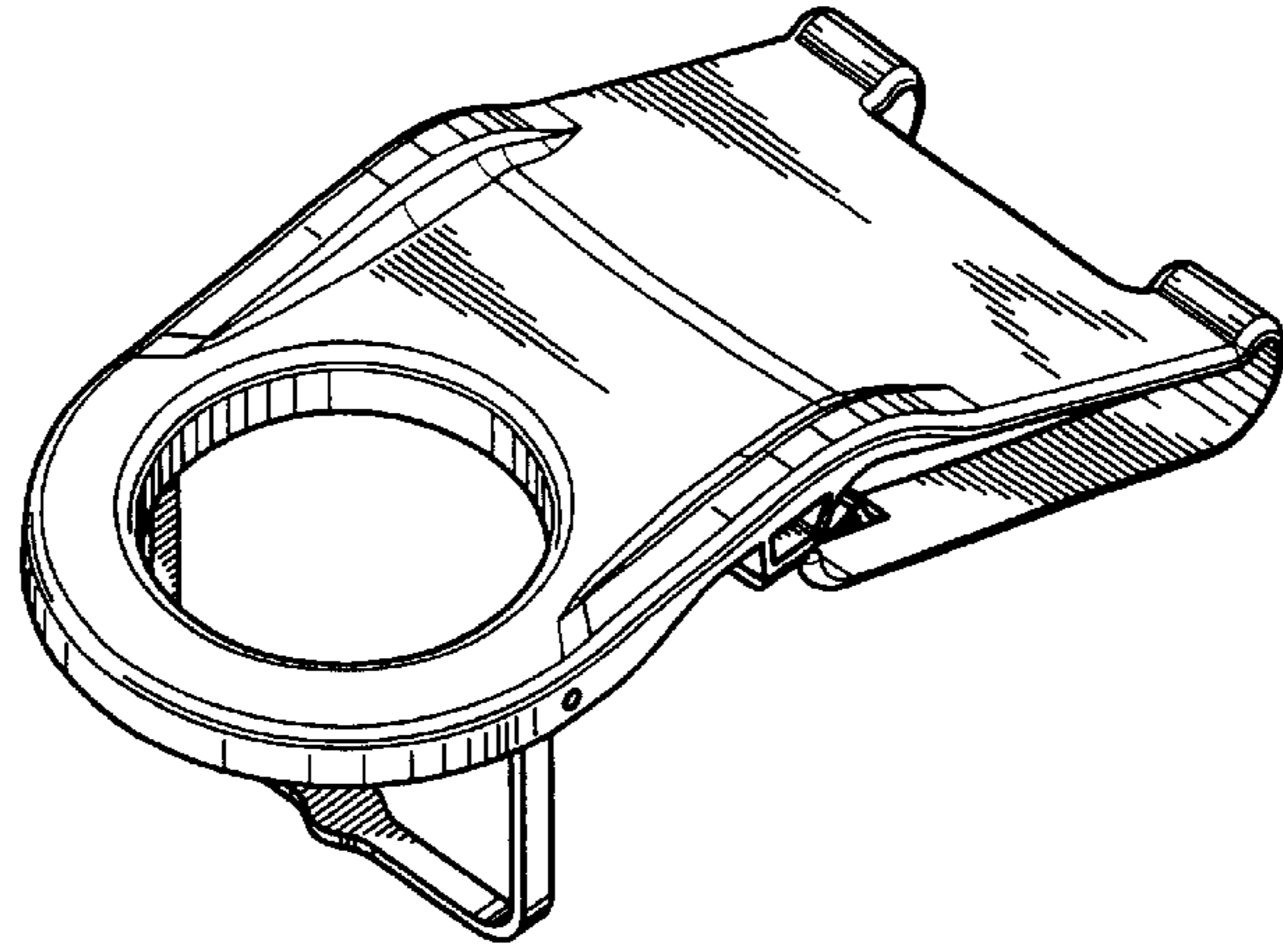


FIG. 1

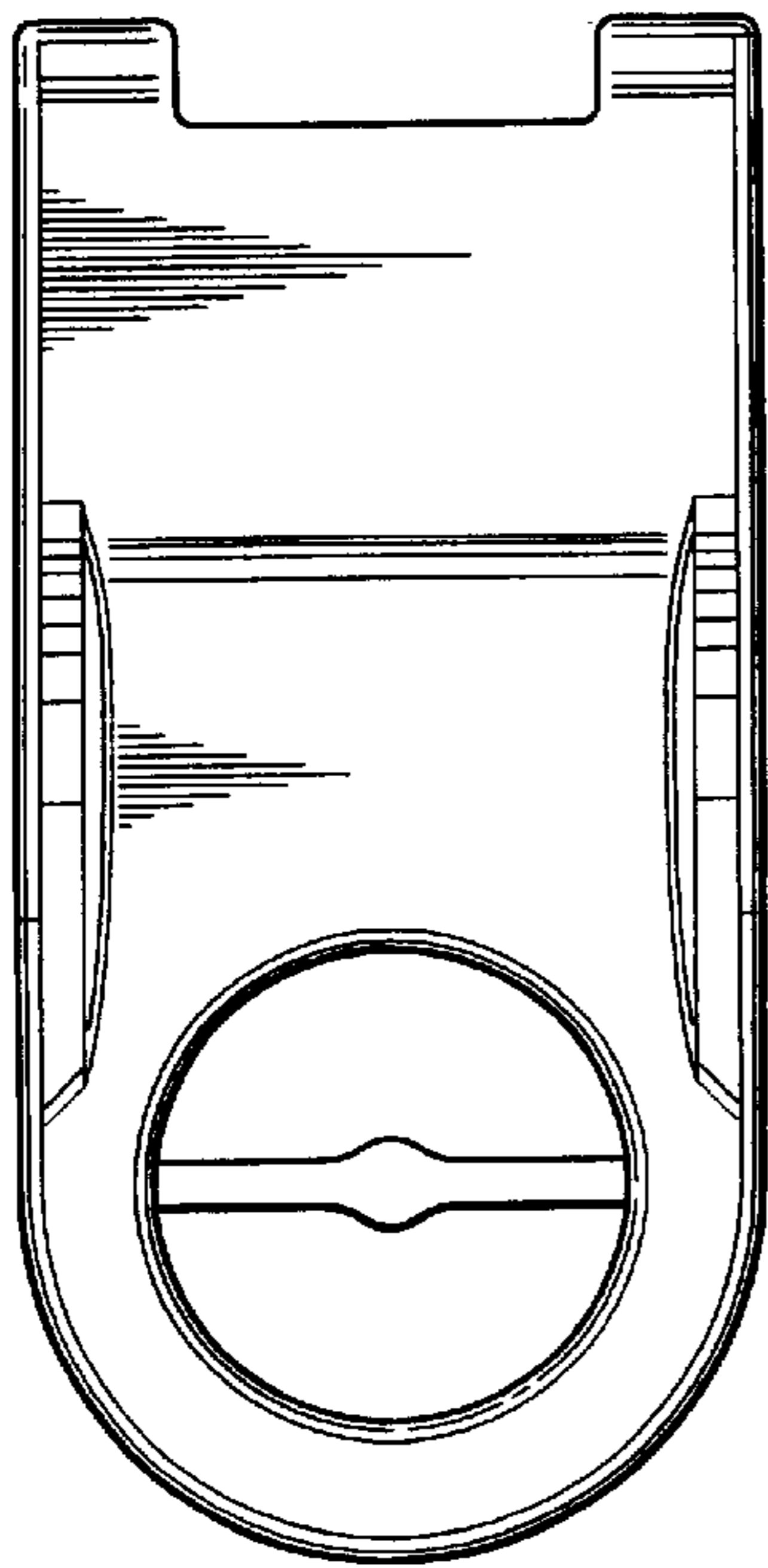


FIG. 2

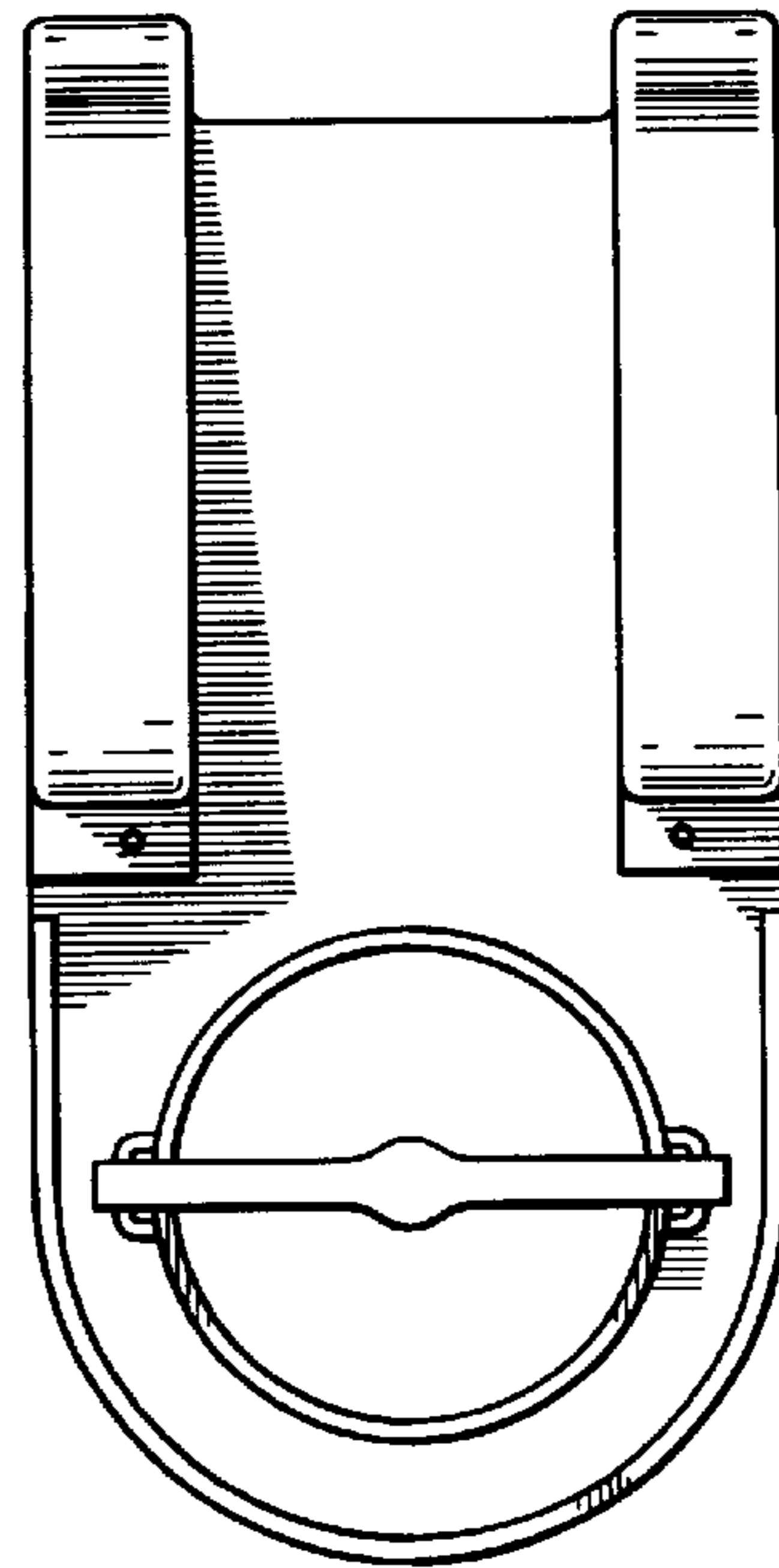


FIG. 3

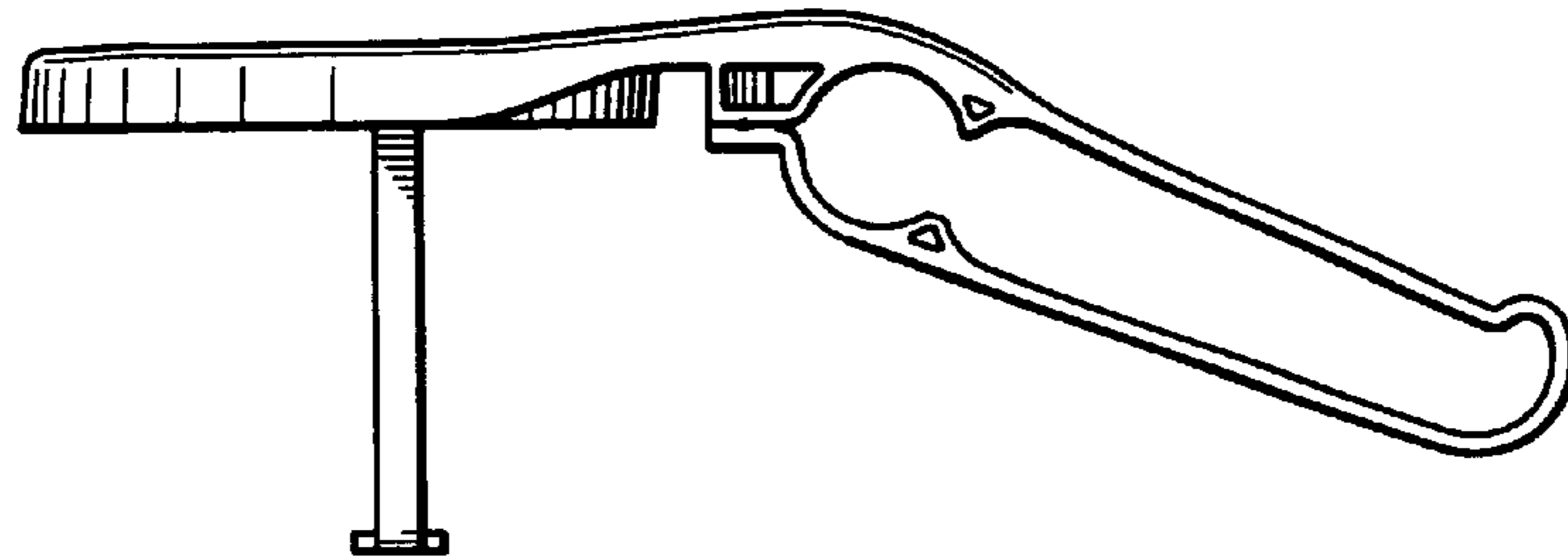


FIG. 4

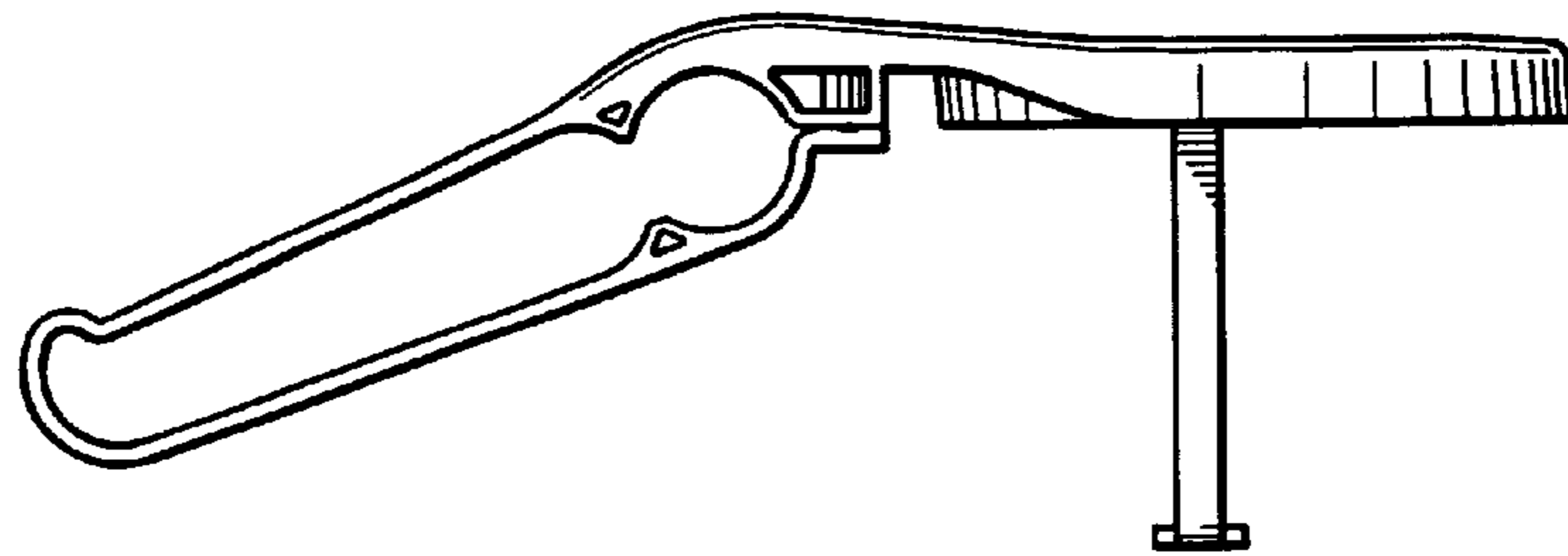


FIG. 5

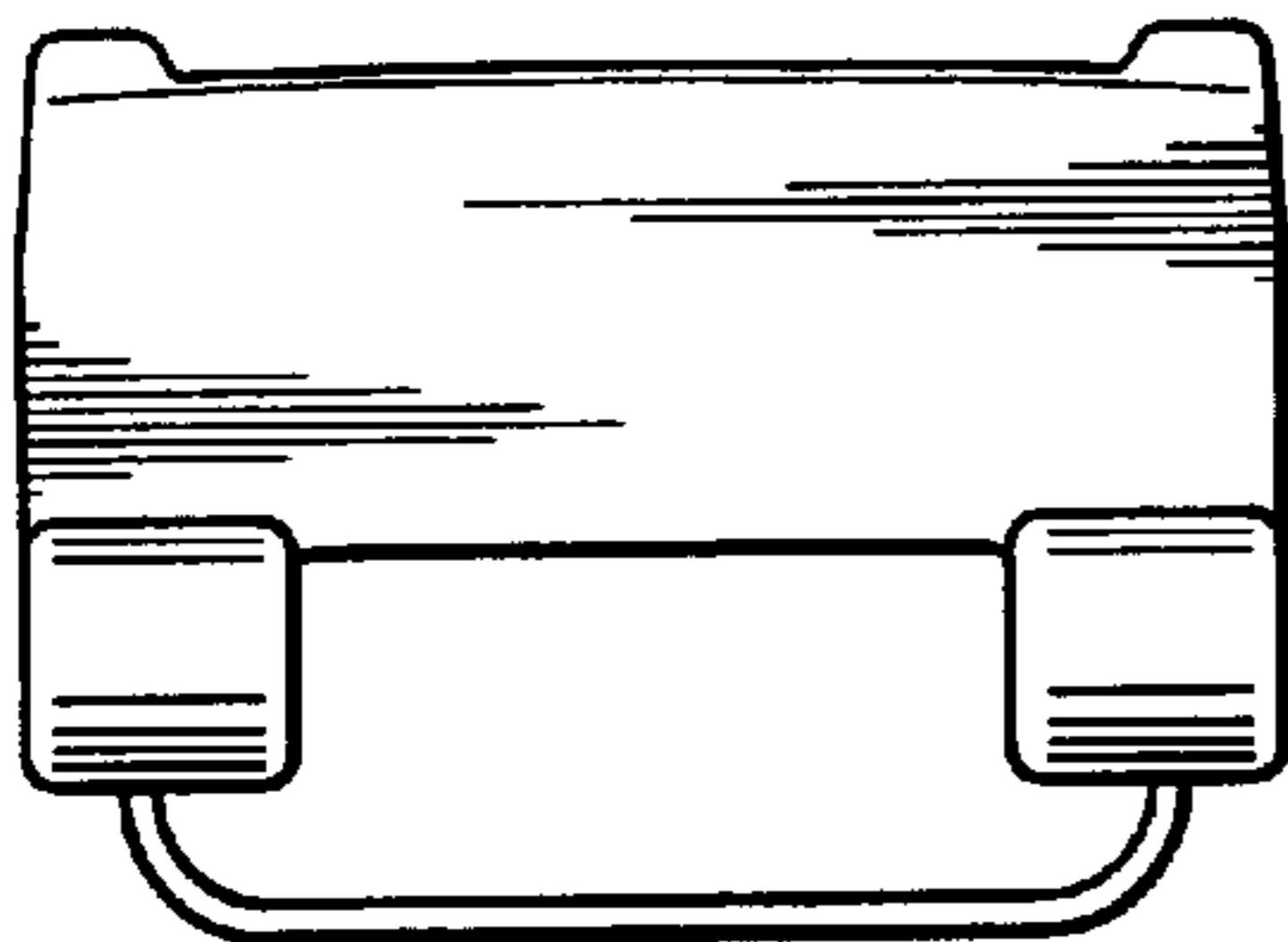


FIG. 6

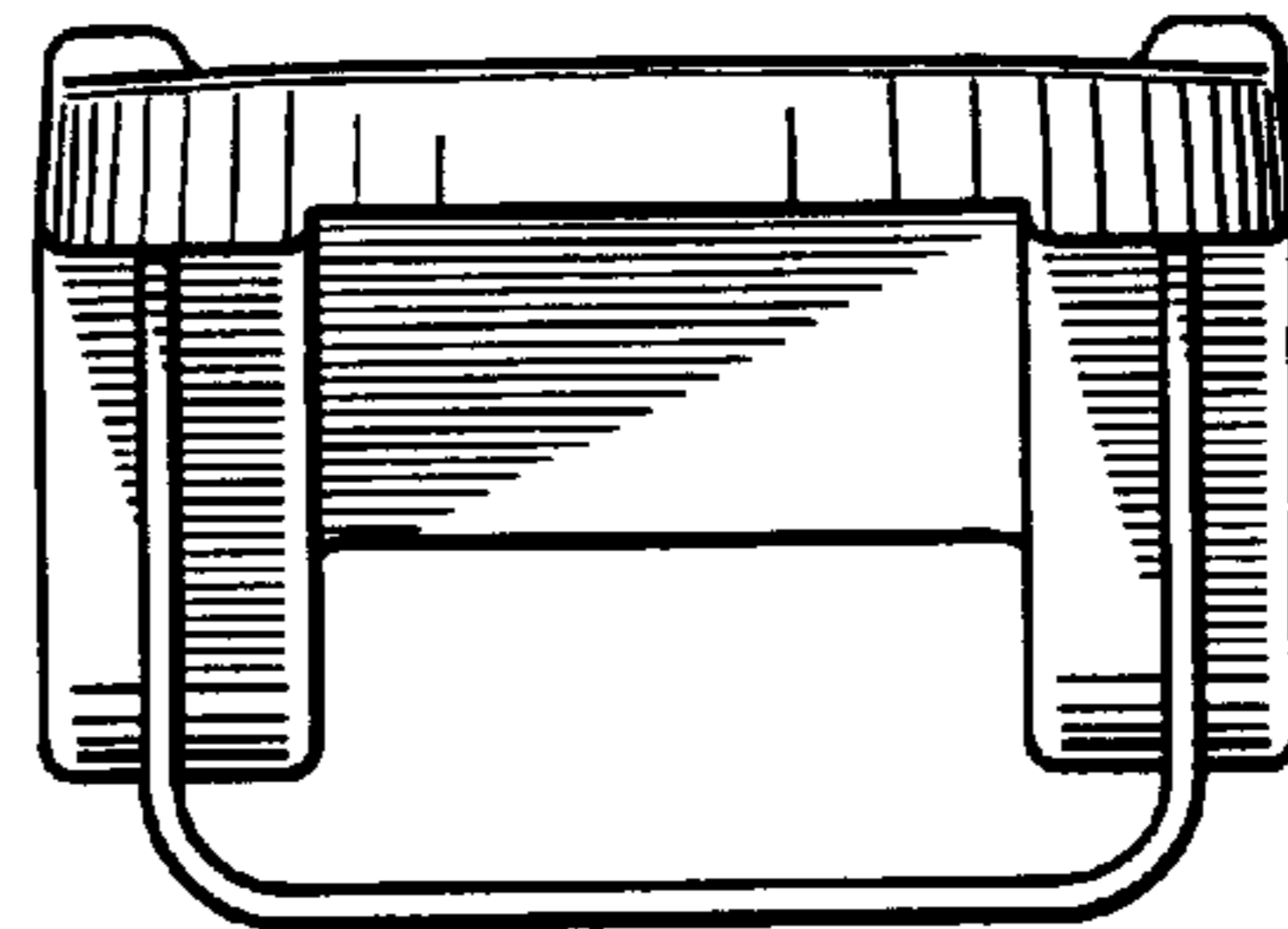


FIG. 7