

US00D517366S

(12) **United States Design Patent**  
**Öztiryaki**

(10) **Patent No.:** **US D517,366 S**  
(45) **Date of Patent:** **\*\* Mar. 21, 2006**

(54) **GASTRONORM BASIN**  
(75) **Inventor:** **Tahsin Öztiryaki, Istanbul (TR)**  
(73) **Assignee:** **Oztiryalkiler Madeni Esya Sanayi ve Ticaret Anonim Sirketi, Istanbul (TR)**  
(\*\*) **Term:** **14 Years**

D431,148 S \* 9/2000 Mittmann ..... D7/354  
D432,866 S \* 10/2000 Harrison ..... D7/545  
D435,390 S \* 12/2000 Mittmann ..... D7/354  
D443,173 S \* 6/2001 Danielsen et al. .... D7/354  
D446,993 S \* 8/2001 Zank ..... D7/354  
D446,994 S \* 8/2001 Zank ..... D7/354  
D449,205 S \* 10/2001 Zank ..... D7/354  
D469,300 S \* 1/2003 Nakazawa ..... D7/354  
D489,226 S \* 5/2004 De Neubourg ..... D7/554.3

(21) **Appl. No.:** **29/200,639**  
(22) **Filed:** **Mar. 3, 2004**

\* cited by examiner

(30) **Foreign Application Priority Data**

Dec. 31, 2003 (TR) ..... 156337

*Primary Examiner*—Caron D. Veynar  
*Assistant Examiner*—Vy Nguyen  
(74) *Attorney, Agent, or Firm*—Egbert Law Offices

(51) **LOC (8) Cl.** ..... **07-02**  
(52) **U.S. Cl.** ..... **D7/354; D7/545**  
(58) **Field of Classification Search** ..... D7/354–361,  
D7/545, 554.3; D8/18, 34; D9/345, 415,  
D9/423–426, 434–435; 206/216, 427, 459.5,  
206/508, 515, 518, 564, 592, 593; 220/4.21,  
220/200, 212, 256, 309.1, 309.2, 380, 780–790,  
220/801, 912; D3/314  
See application file for complete search history.

(57) **CLAIM**

I claim the ornamental design for a gastronorm basin, as shown and described.

(56) **References Cited**

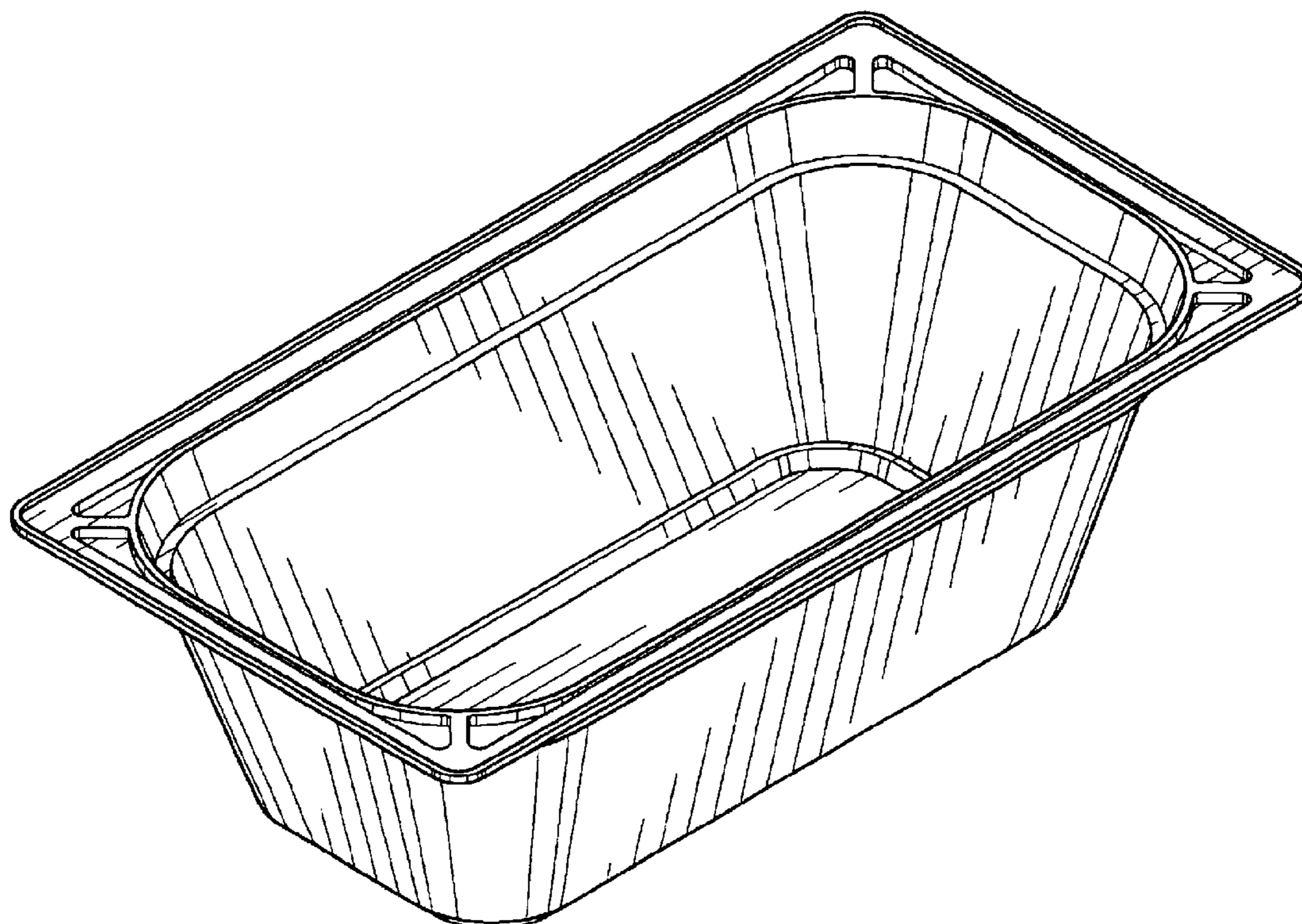
**U.S. PATENT DOCUMENTS**

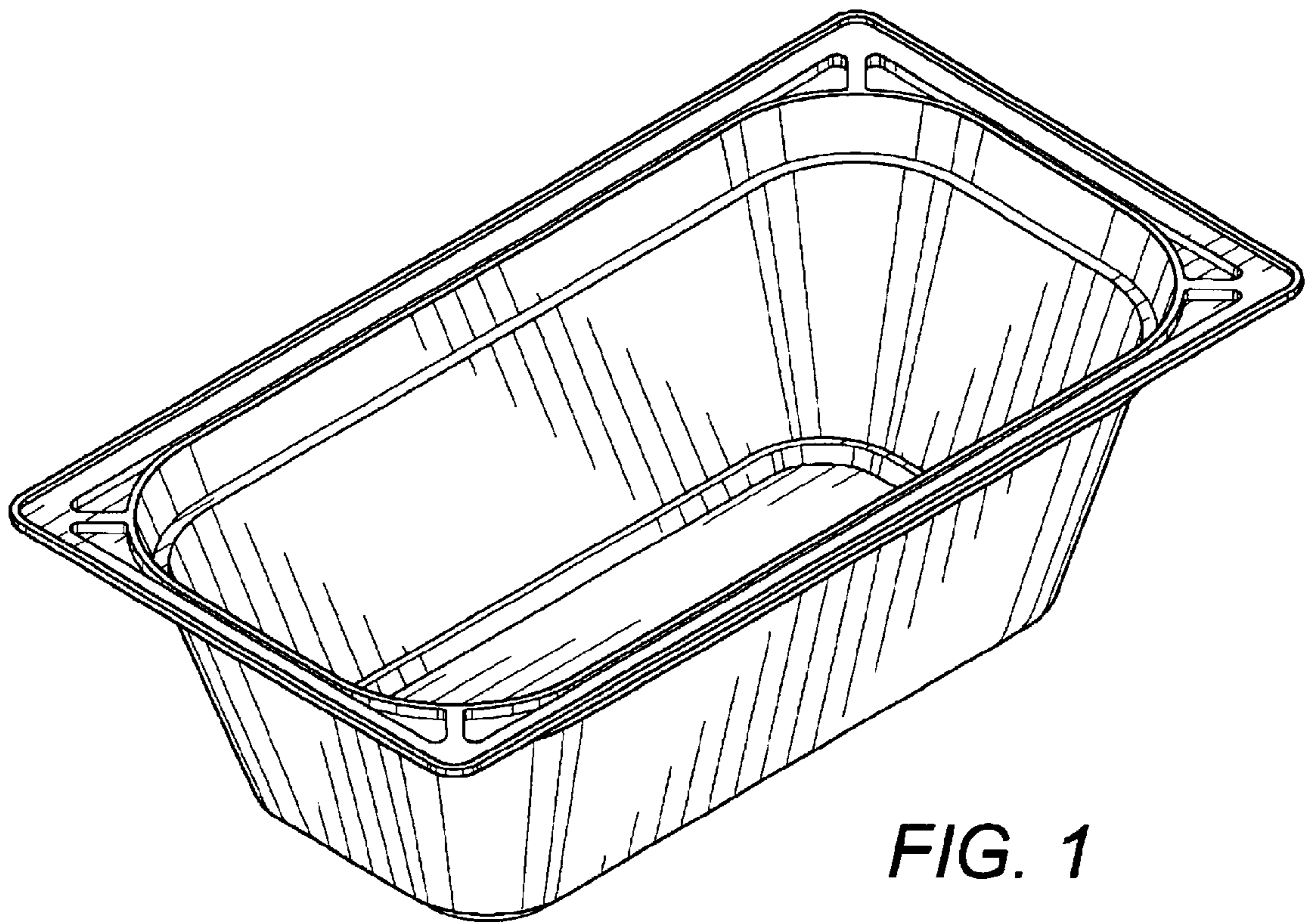
D268,622 S \* 4/1983 Wolters et al. .... D3/314  
D289,844 S \* 5/1987 Daenen et al. .... D7/354  
D363,665 S \* 10/1995 Goto et al. .... D9/434  
D415,656 S \* 10/1999 Henry ..... D7/545  
D422,836 S \* 4/2000 Mittmann ..... D7/354

**DESCRIPTION**

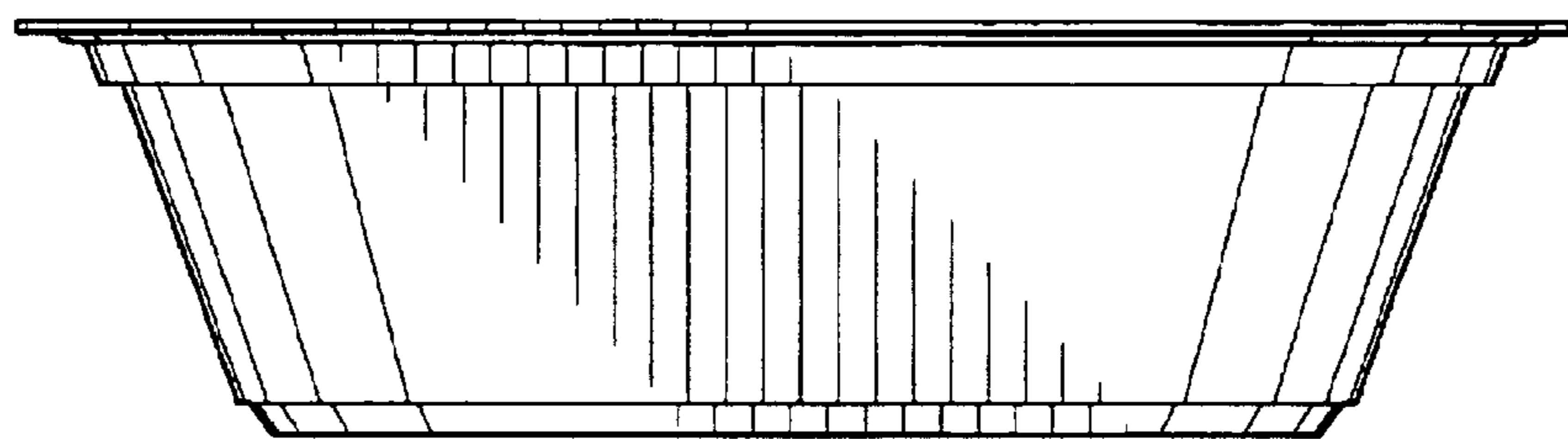
FIG. 1 is a perspective view of the gastronorm basin showing my design.  
FIG. 2 is a side view thereof, an opposite side view being a mirror image thereof;  
FIG. 3 is a front view thereof, a back view being a mirror image thereof;  
FIG. 4 is a top plan view thereof;  
FIG. 5 is a bottom view thereof; and,  
FIG. 6 is an isolated close-up top plan view of a corner thereof.

**1 Claim, 3 Drawing Sheets**

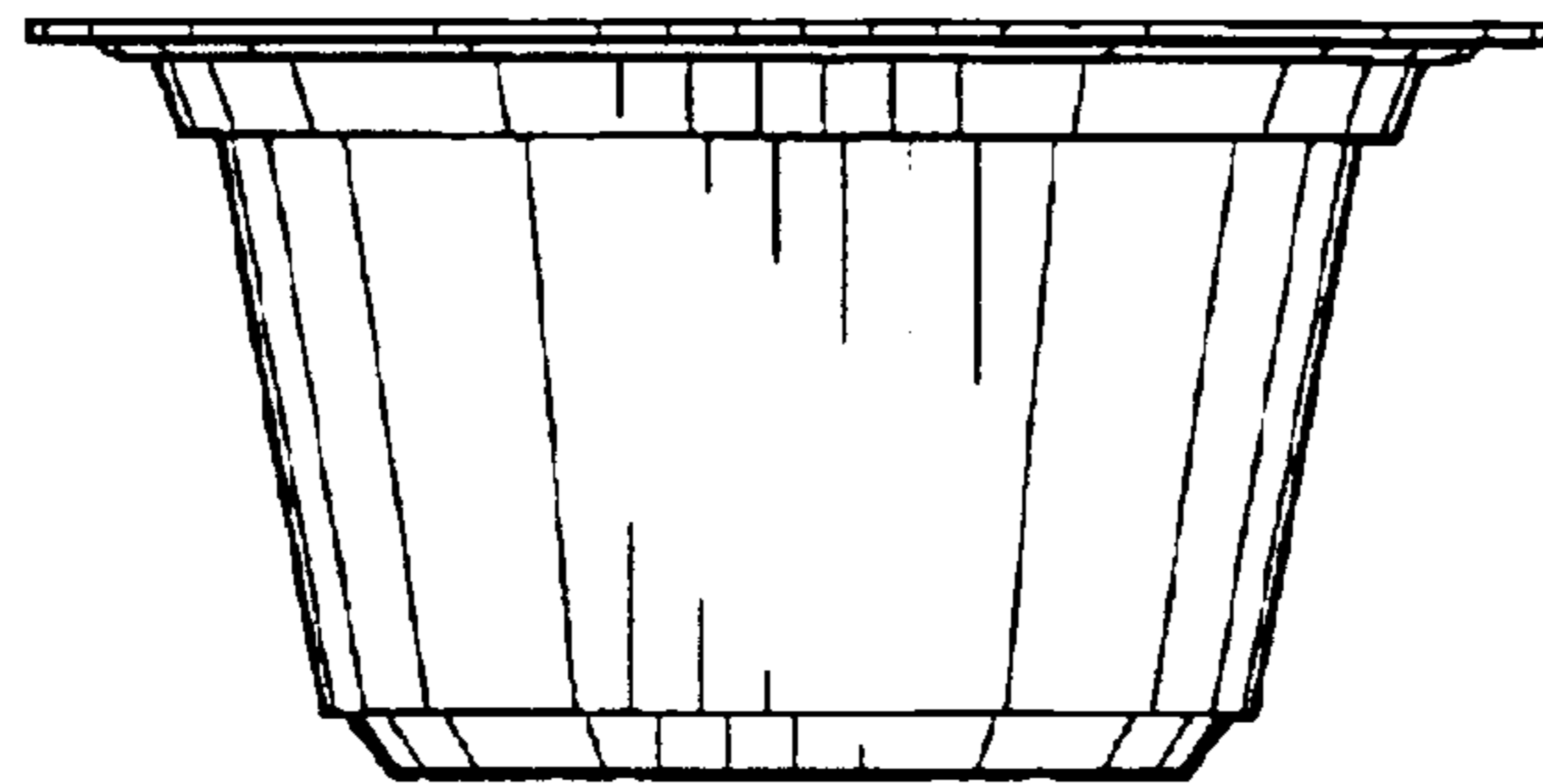




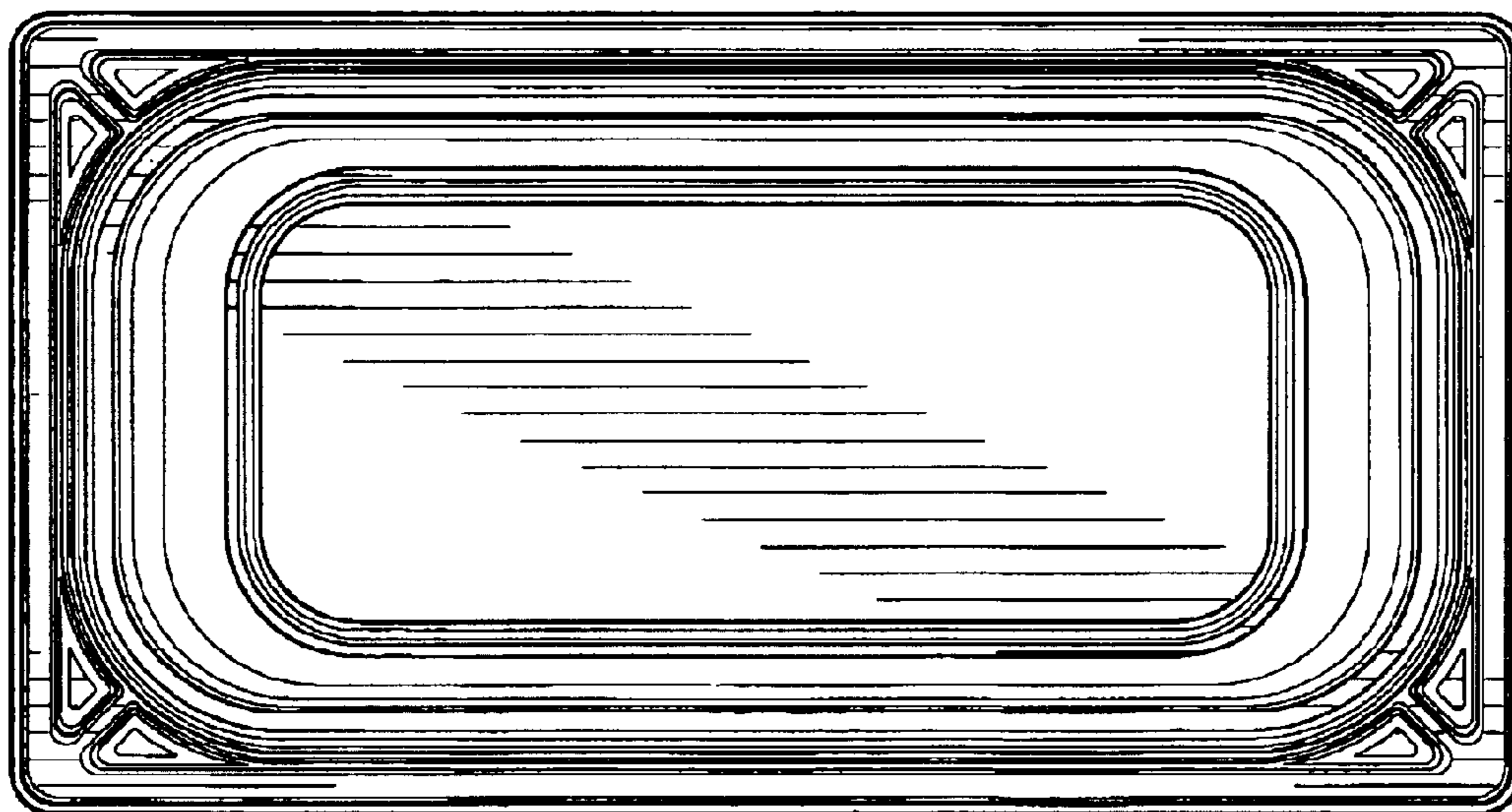
**FIG. 1**



**FIG. 2**



**FIG. 3**

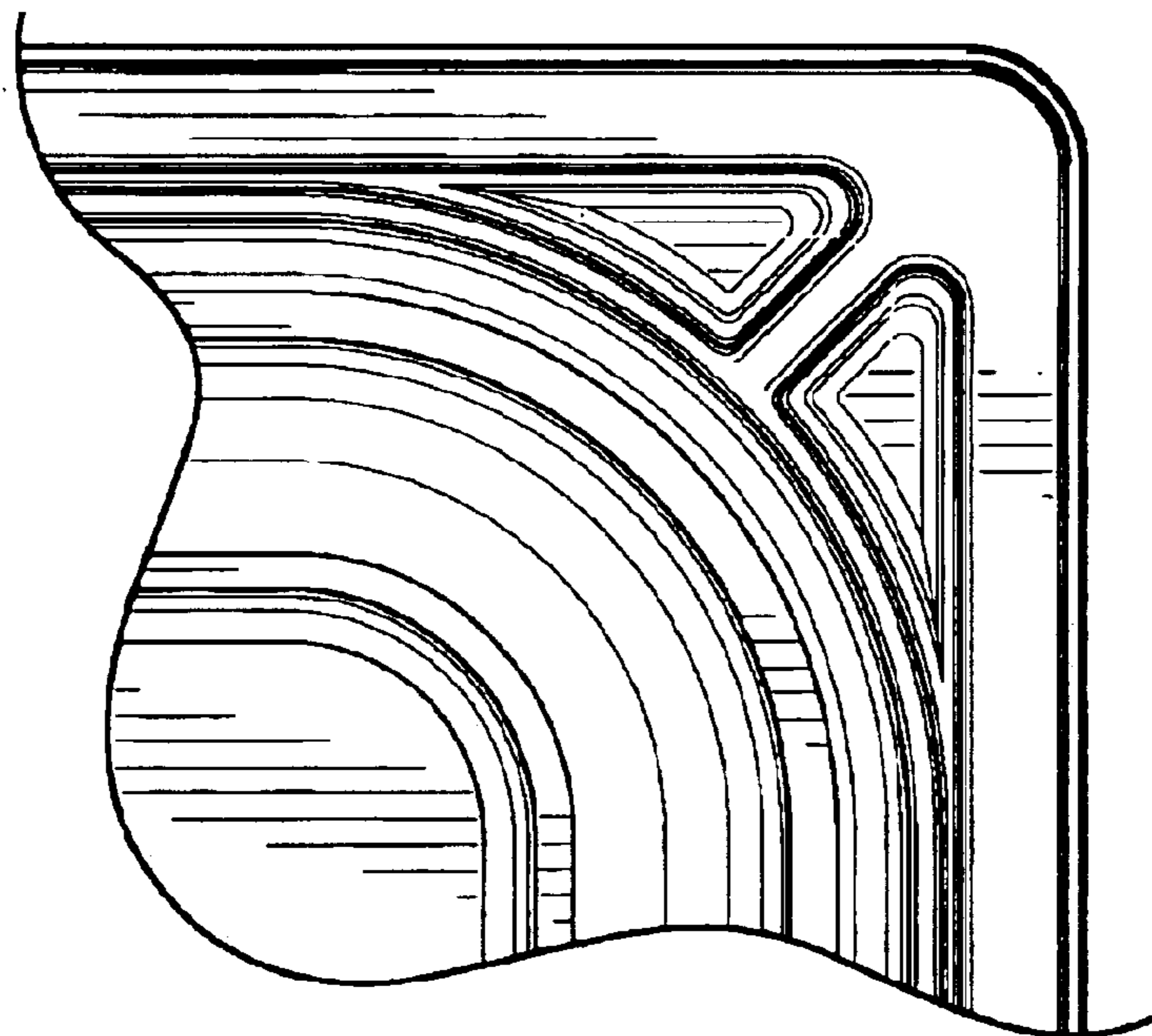


**FIG. 4**





**FIG. 5**



**FIG. 6**

UNITED STATES PATENT AND TRADEMARK OFFICE  
**CERTIFICATE OF CORRECTION**

PATENT NO. : Des. 517,366 S  
APPLICATION NO. : 29/200639  
DATED : March 21, 2006  
INVENTOR(S) : Öztiryaki, Tahsin

Page 1 of 1

It is certified that error appears in the above-identified patent and that said Letters Patent is hereby corrected as shown below:

Title page,  
Item [73], Assignee, please delete “Oztiryalkiler Madeni Esya Sanayi ve Ticaret Anonim Sirketi” and substitute therefor --Oztiryakiler Madeni Esya Sanayi ve Ticaret Anonim Sirketi--.

Signed and Sealed this

Fourth Day of July, 2006

A handwritten signature in black ink on a dotted background. The signature reads "Jon W. Dudas" in a cursive style.

JON W. DUDAS

*Director of the United States Patent and Trademark Office*