



US00D517365S

(12) **United States Design Patent**
Huang

(10) **Patent No.:** **US D517,365 S**
(45) **Date of Patent:** **** Mar. 21, 2006**

(54) **GRILL**

(75) **Inventor:** **To-En Huang, Taipei (TW)**

(73) **Assignee:** **Tsann Kuen Enterprise Co., Ltd,**
Taipei (TW)

(**) **Term:** **14 Years**

(21) **Appl. No.:** **29/204,452**

(22) **Filed:** **Apr. 29, 2004**

(51) **LOC (8) Cl. 07-02**

(52) **U.S. Cl. D7/332**

(58) **Field of Classification Search** D32/17-18,
D32/21-22, 25, 30-34; 15/320-321, 323,
15/327.1, 335, 347, 350-353, 361, 329, 410,
15/412; 55/459.1-459.2, 449, DIG. 3, 426,
55/337, 345, 429, 467, 472; 95/271; 210/787,
210/806, 512.1, 512.2

See application file for complete search history.

(56) **References Cited**

U.S. PATENT DOCUMENTS

D206,738 S * 1/1967 Wilkinson D7/334
D292,862 S * 11/1987 Flicker et al. D7/332
D369,716 S * 5/1996 Blanc D7/332
D449,491 S * 10/2001 Measom D7/334

D462,562 S * 9/2002 Wood D7/332
6,595,198 B1 * 7/2003 Mosher et al. 126/38
2003/0106546 A1 * 6/2003 Wu 126/41 R

OTHER PUBLICATIONS

U.S. Appl. No. 29/191,197, filed Oct. 2, 2003.*
Pending United States patent application No. 29/191,197,
filed Oct. 2, 2003, entitled Griller, and having To-En Huang
listed as inventor.

* cited by examiner

Primary Examiner—Ruth McInroy

(74) *Attorney, Agent, or Firm*—Kenneth C. Brooks

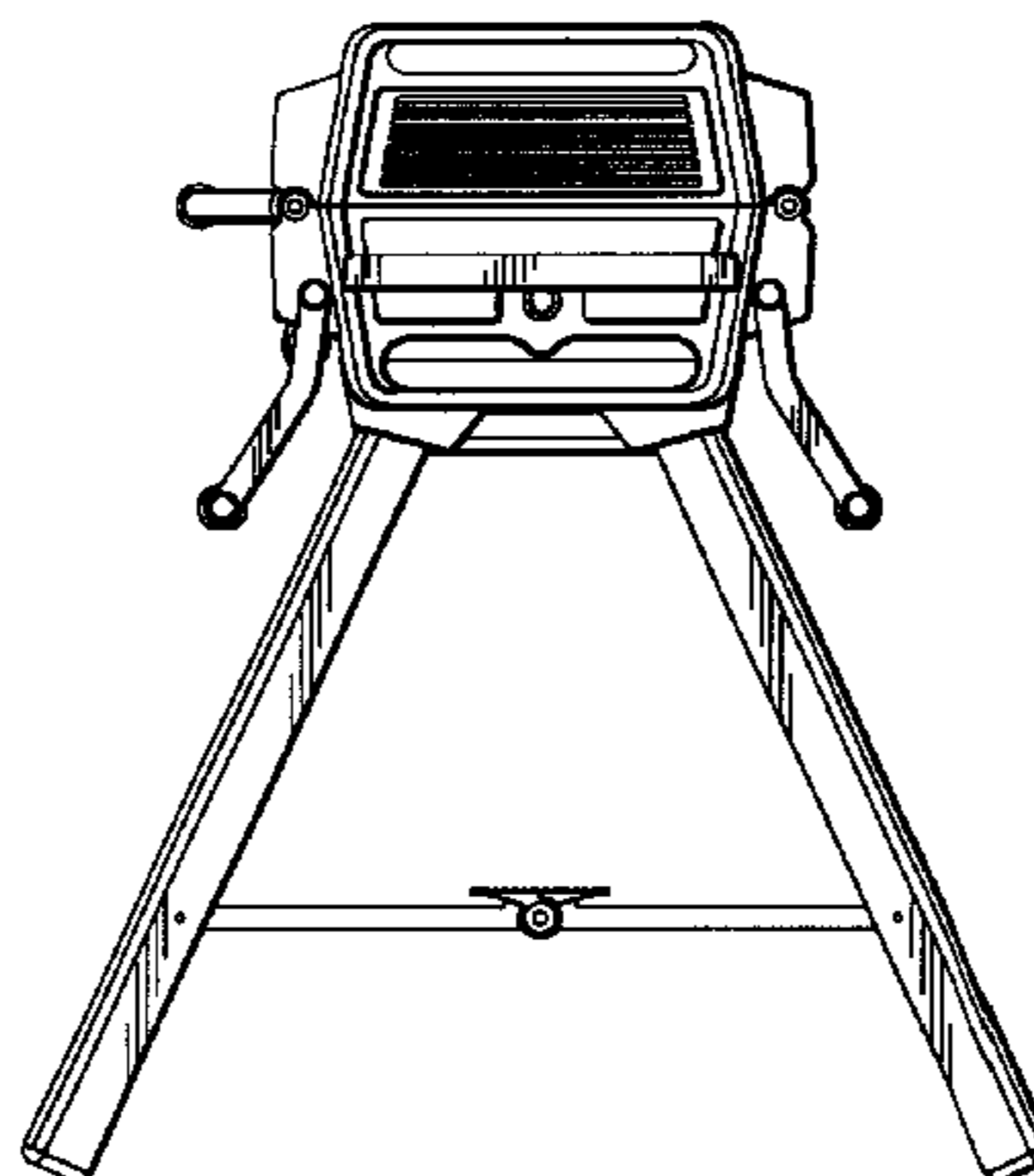
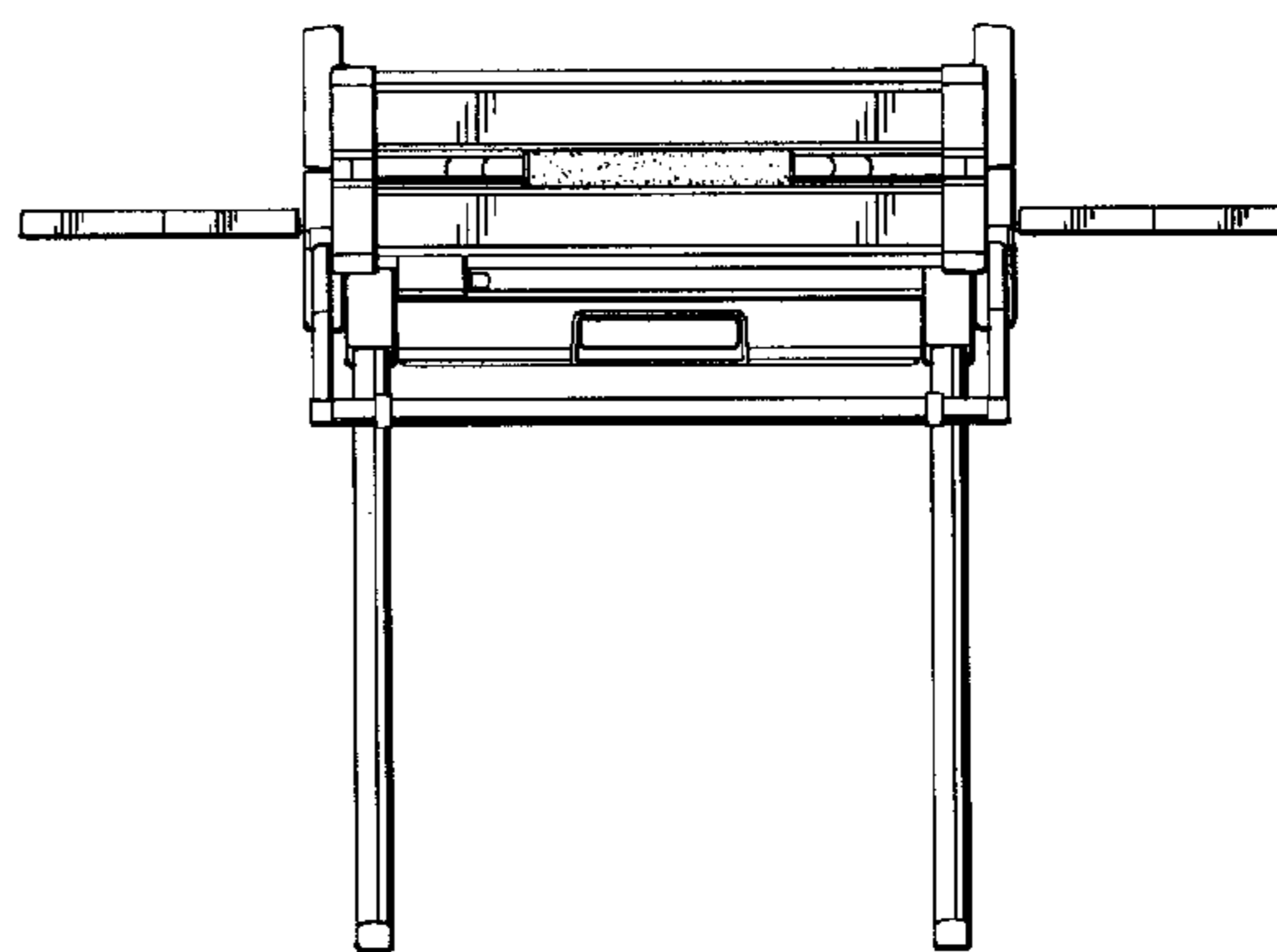
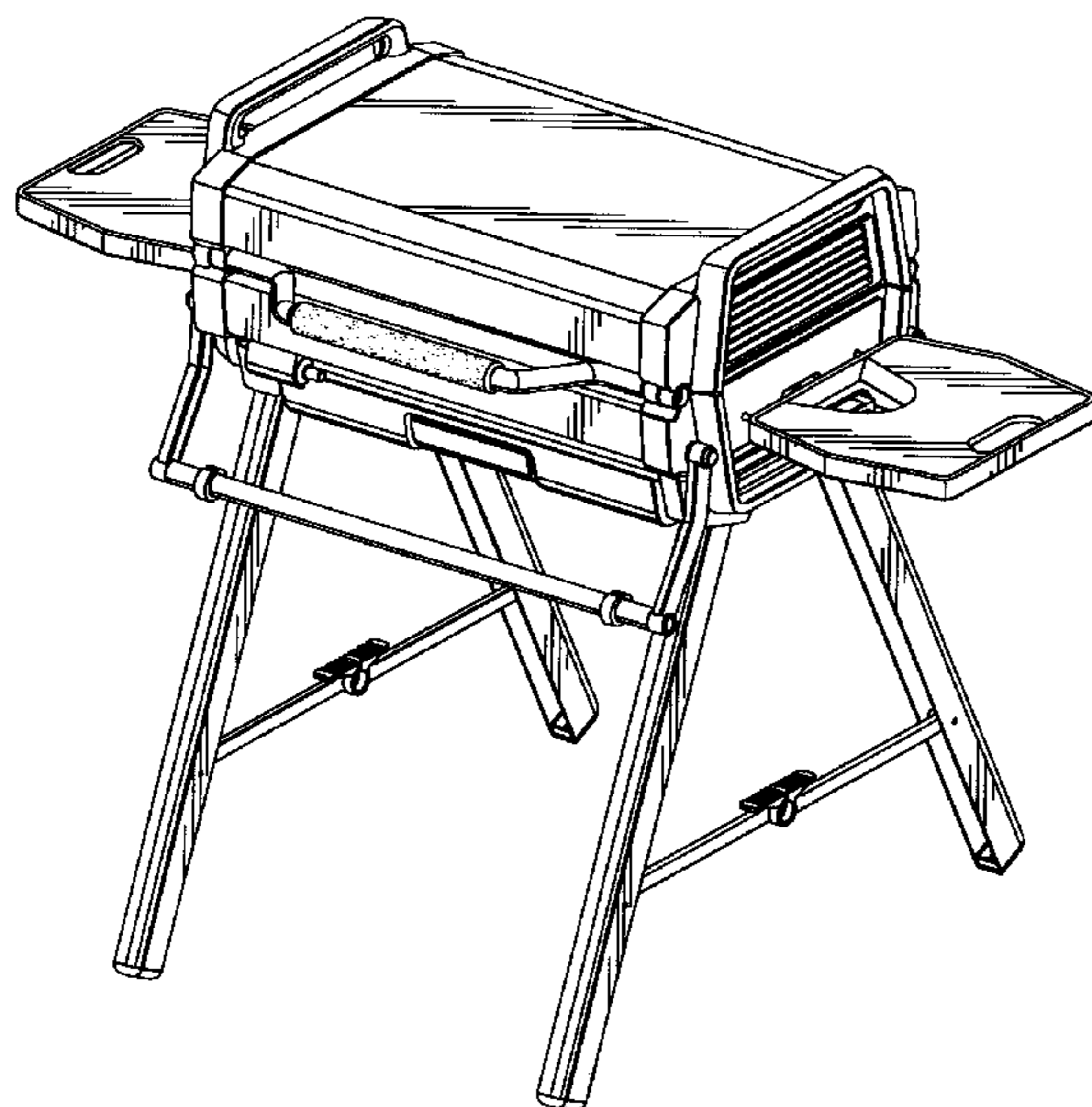
(57) **CLAIM**

The ornamental design for a grill, as shown and described.

DESCRIPTION

FIG. 1 is a perspective view of a grill showing my new
design;
FIG. 2 is a front elevational view thereof;
FIG. 3 is a rear elevational view thereof;
FIG. 4 is a left side elevational view thereof;
FIG. 5 is a right side elevational view thereof;
FIG. 6 is a top plan view thereof; and,
FIG. 7 is a bottom plan view thereof.

1 Claim, 4 Drawing Sheets



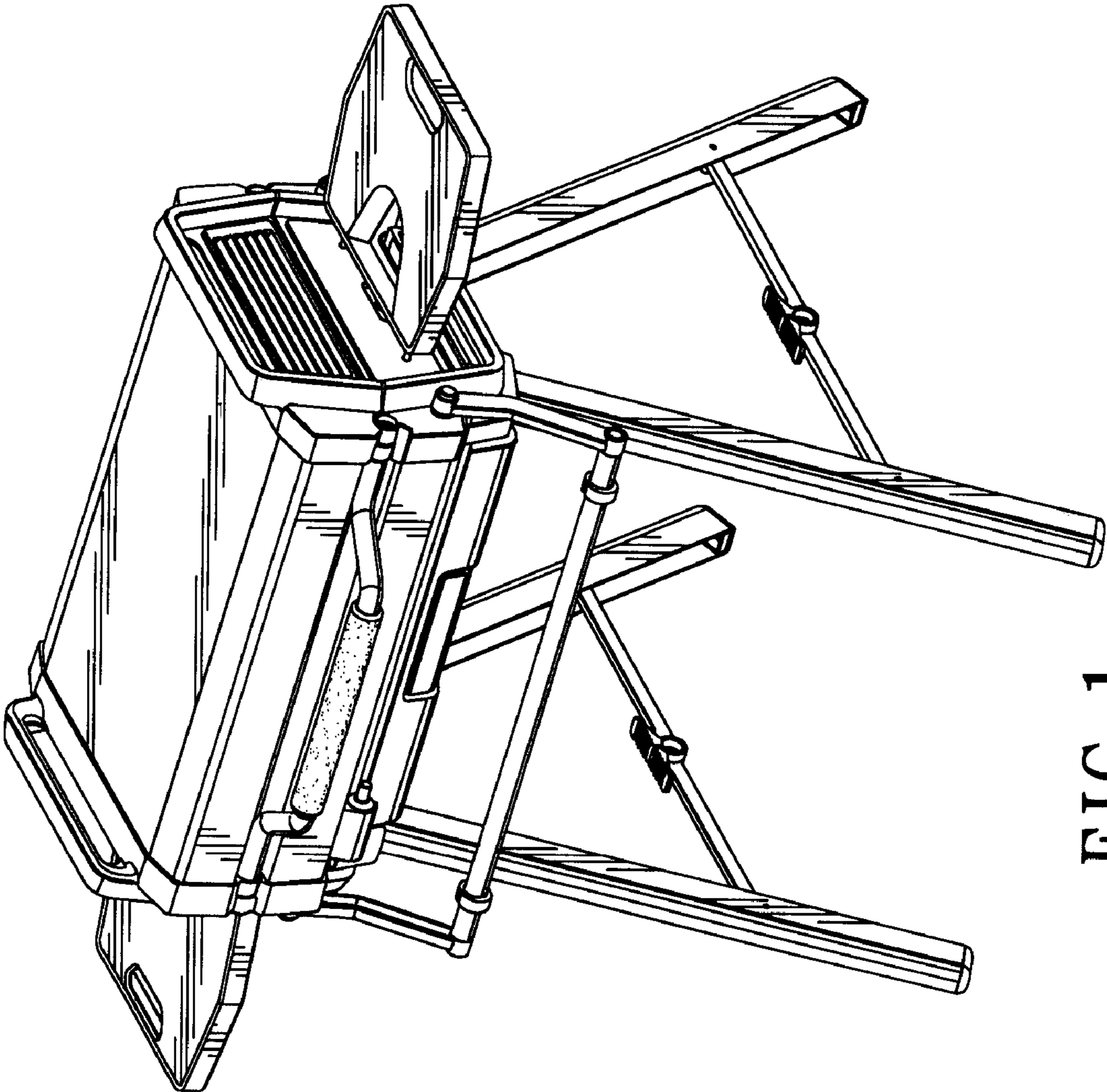


FIG. 1

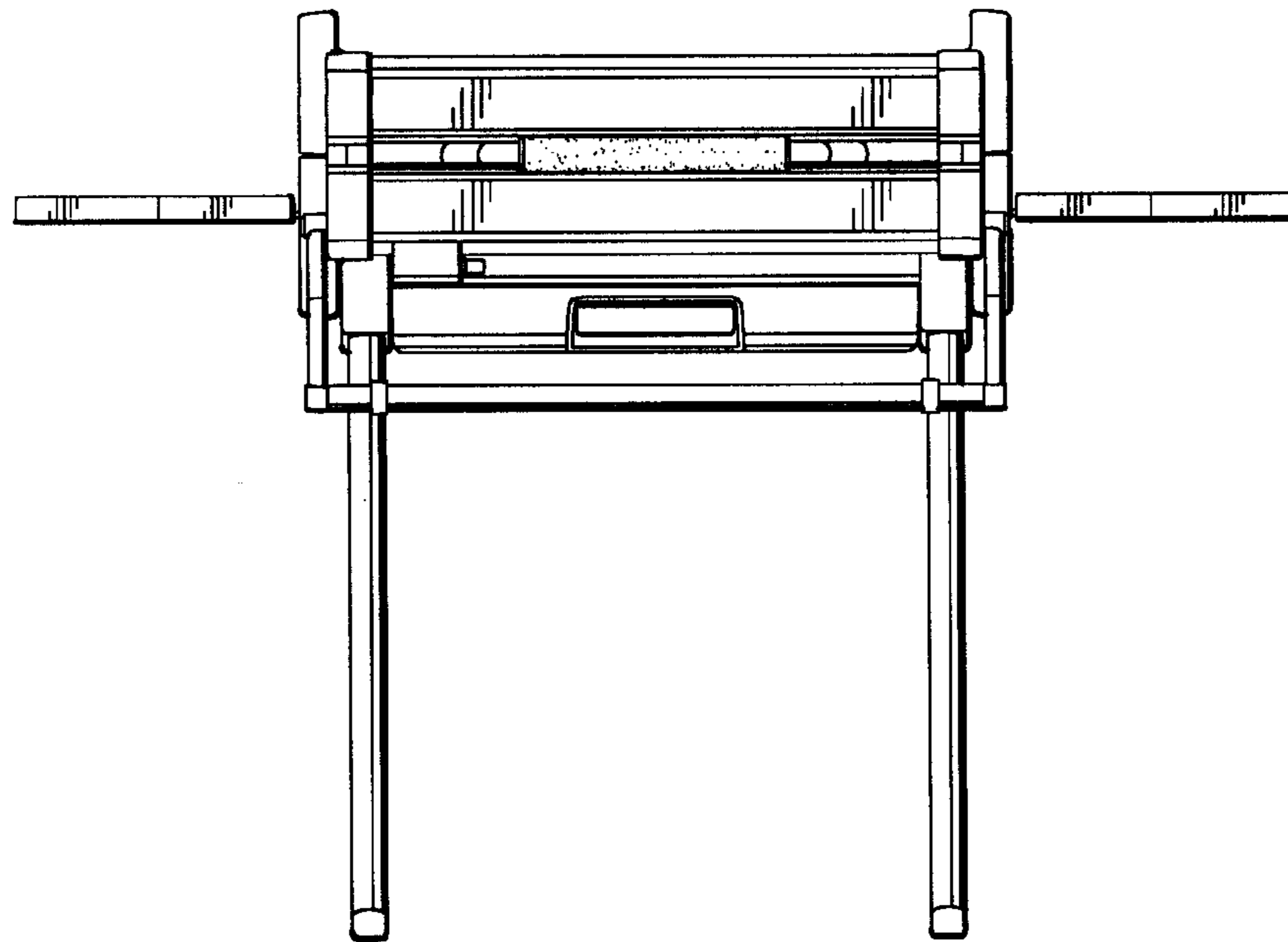


FIG. 2

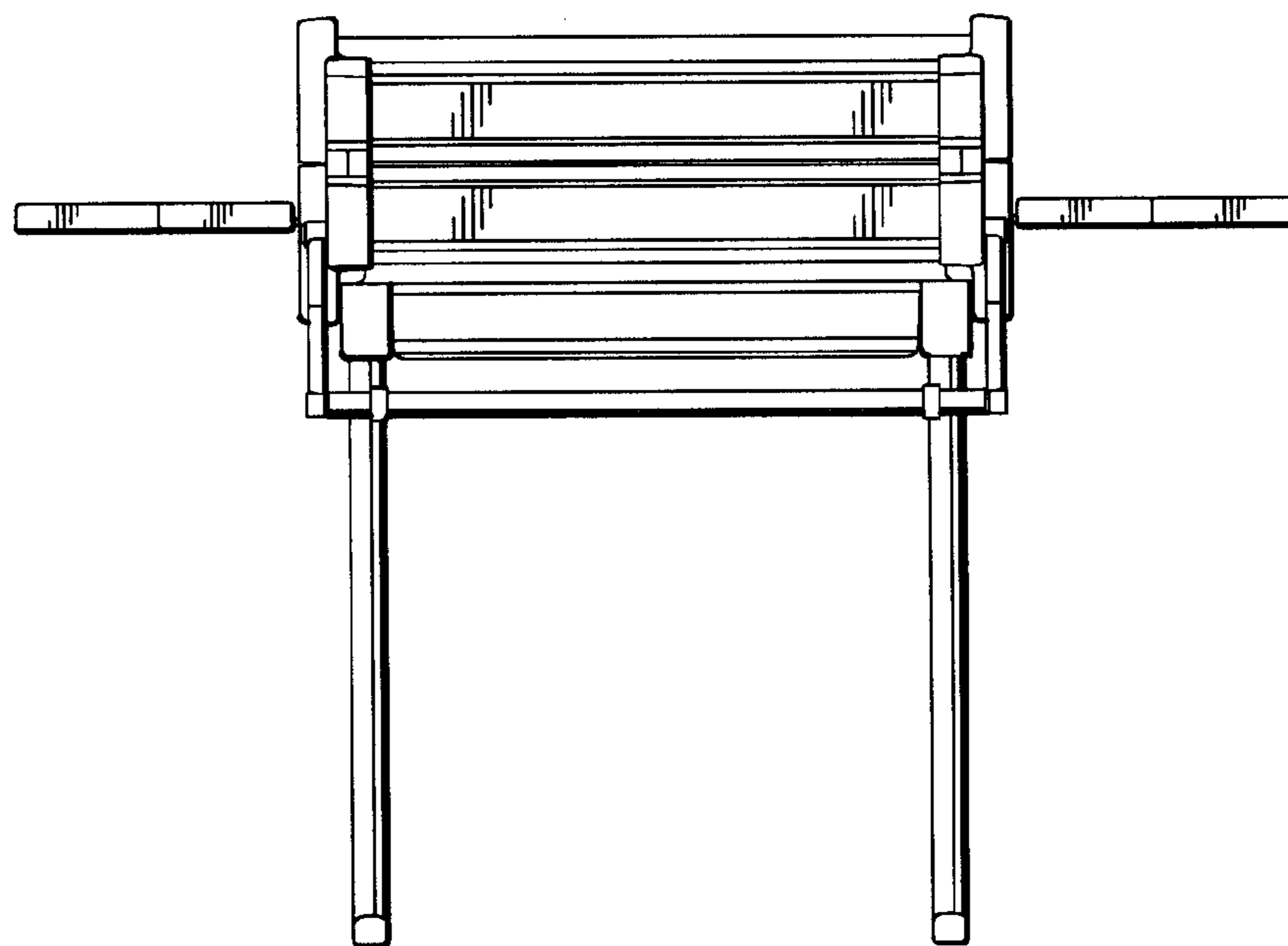


FIG. 3

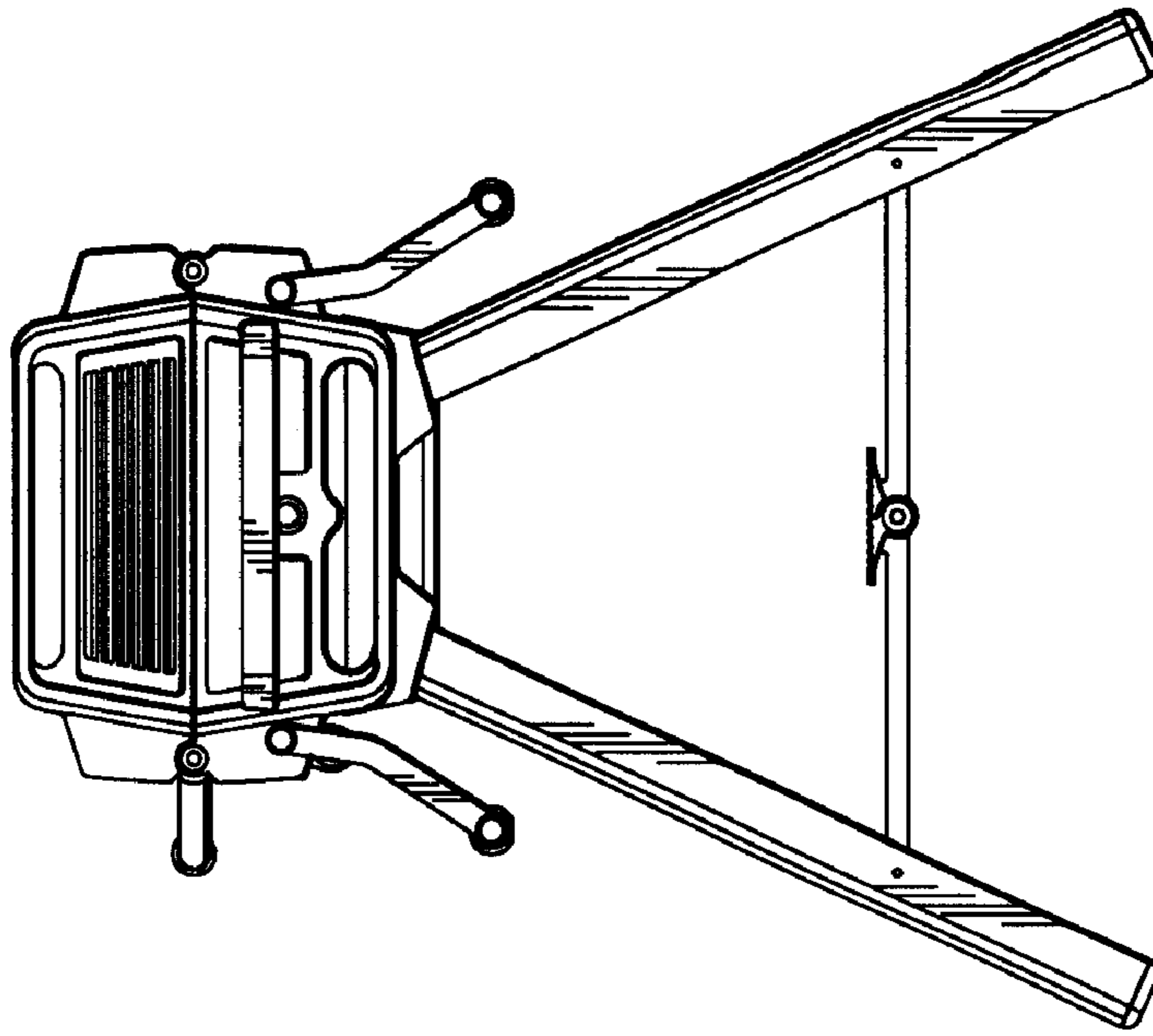


FIG. 5

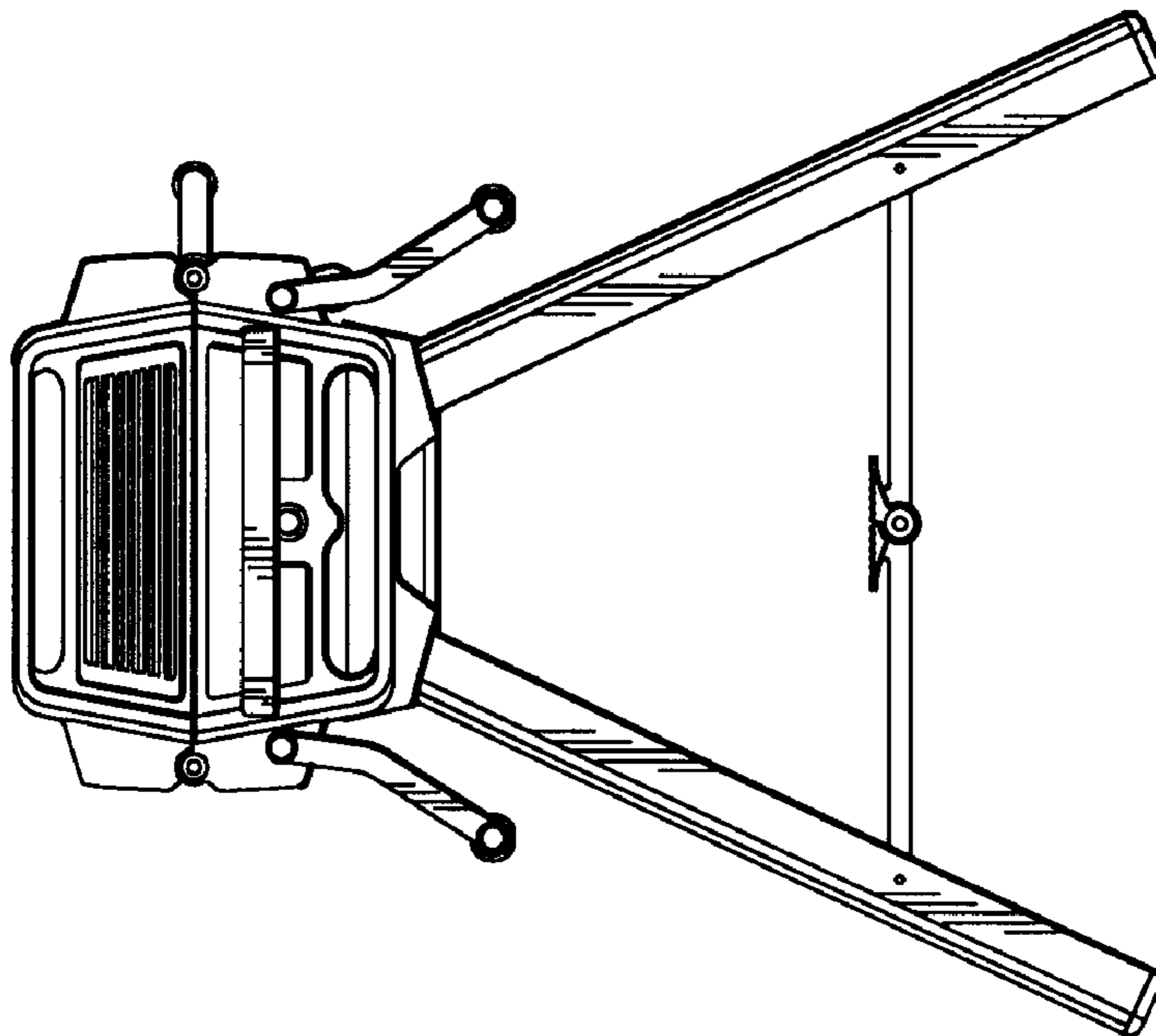


FIG. 4

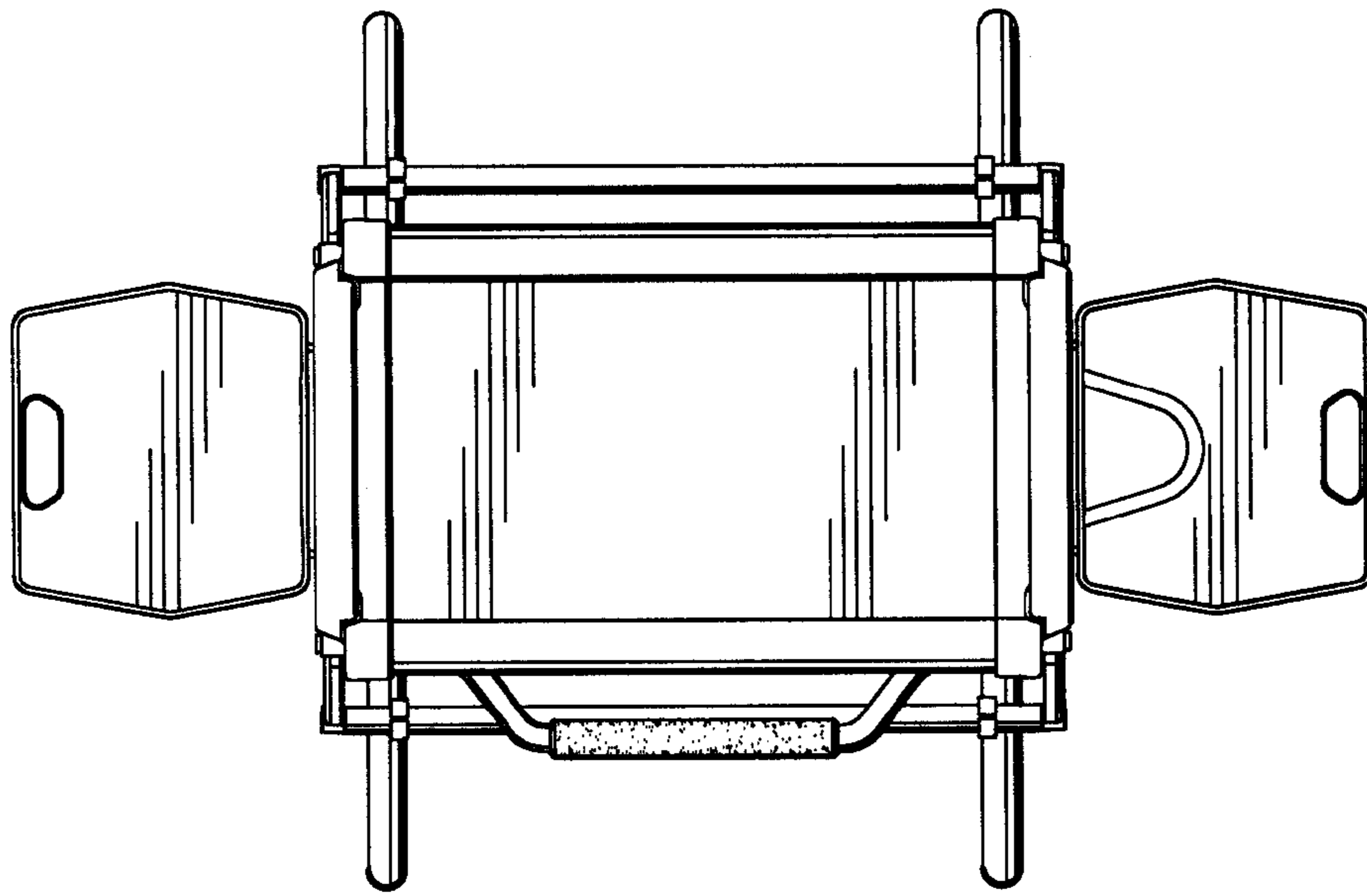


FIG. 6

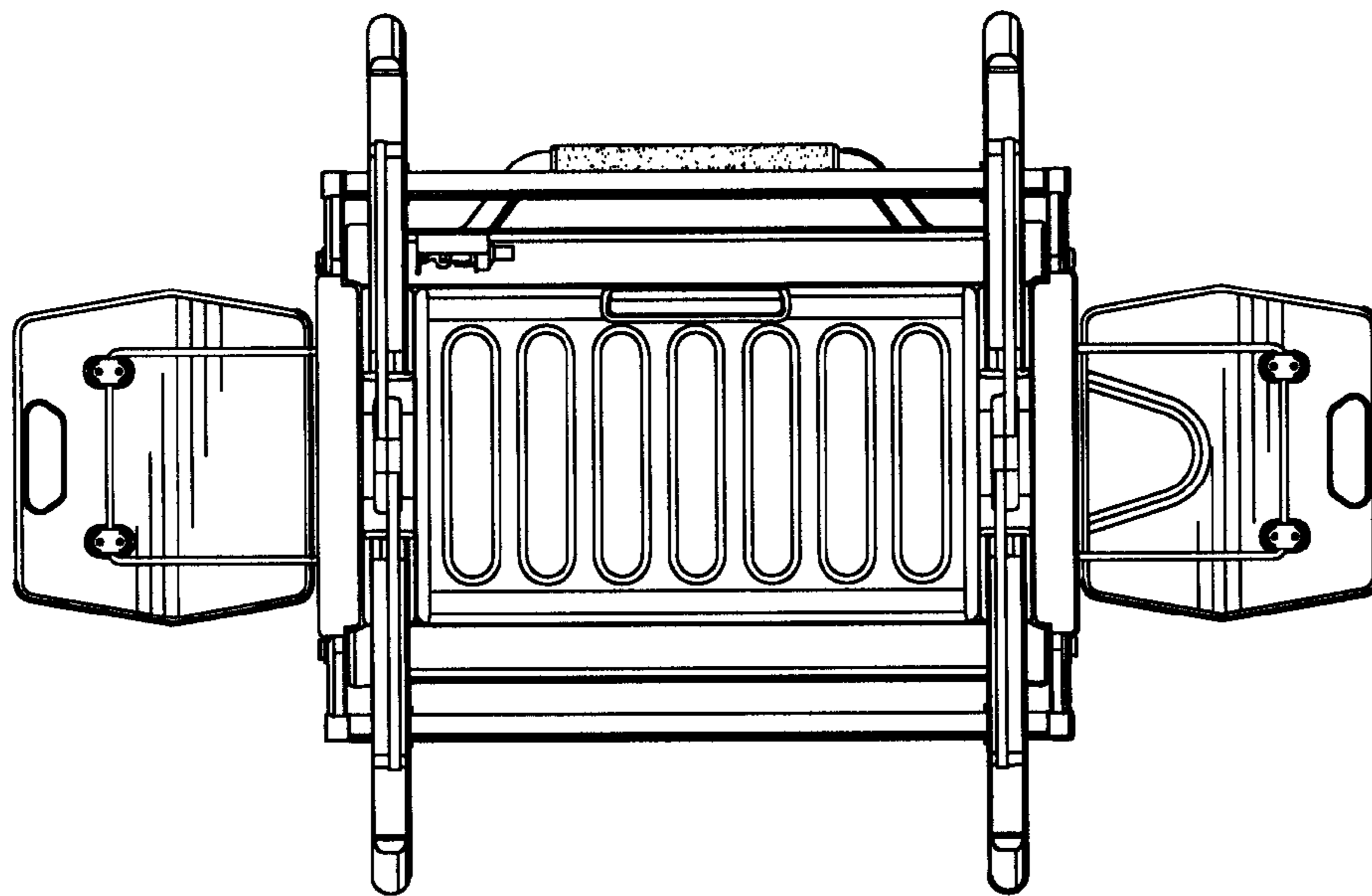


FIG. 7